



US00D712087S

(12) **United States Design Patent**
Kjaergaard Toft

(10) **Patent No.:** **US D712,087 S**
(45) **Date of Patent:** **** Aug. 26, 2014**

- (54) **LIGHT LENS**
- (71) Applicant: **Martin Professional ApS**, Aarhus N (DK)
- (72) Inventor: **Uffe Kjaergaard Toft**, Højbjerg (DK)
- (73) Assignee: **Martin Professional ApS**, Aarhus N. (DK)
- (**) Term: **14 Years**
- (21) Appl. No.: **29/484,171**
- (22) Filed: **Mar. 6, 2014**
- (51) **LOC (10) Cl.** **26-99**
- (52) **U.S. Cl.**
USPC **D26/123**
- (58) **Field of Classification Search**
USPC D26/118, 119, 120, 64, 65, 72, 124, D26/125, 138, 128, 132, 84, 85, 86, 87, 69, D26/62, 1, 2, 123, 113, 134, 135, 89, 90, 24, D26/145, 142, 74, 63, 88; 362/147, 364, 362/362, 365, 294, 249.03, 282, 275, 190, 362/341, 249.01; D13/179, 180
See application file for complete search history.

D660,506 S *	5/2012	McMahan	D26/118
D664,285 S *	7/2012	Toft	D26/118
D667,582 S *	9/2012	Toft	D26/63
D672,915 S *	12/2012	Toft	D26/123
D677,815 S *	3/2013	Zhan	D26/37
D679,446 S *	4/2013	Harrington, Jr.	D26/124
D700,584 S *	3/2014	Bhat et al.	D13/180
D702,386 S *	4/2014	Valeri et al.	D26/63
2007/0023769 A1 *	2/2007	Nishimoto et al.	257/88
2007/0062032 A1 *	3/2007	Ter-Hovhannissian	29/840
2008/0080190 A1 *	4/2008	Walczak et al.	362/294
2011/0199770 A1 *	8/2011	Pedersen	362/249.03
2011/0235330 A1 *	9/2011	Pedersen et al.	362/249.03
2011/0261568 A1 *	10/2011	Dalsgaard	362/249.03
2012/0091917 A1 *	4/2012	Vinther et al.	315/312

* cited by examiner

Primary Examiner — Kevin Rudzinski
(74) *Attorney, Agent, or Firm* — Plumsea Law Group, LLC

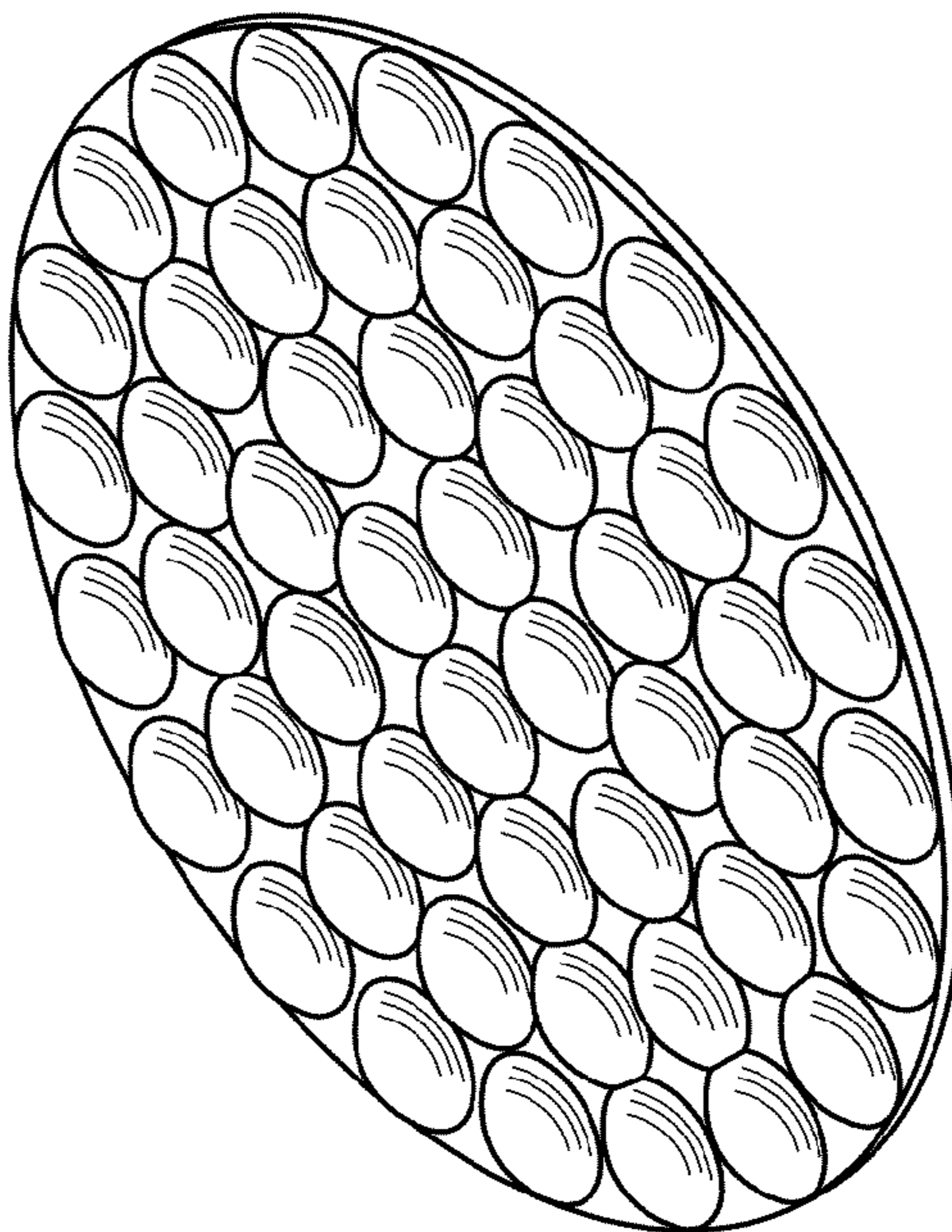
(57) **CLAIM**
The ornamental design for a light lens, as shown and described.

DESCRIPTION

FIG. 1 is a perspective view of a light lens showing my new design;
FIG. 2 is a front view thereof;
FIG. 3 is a left side elevational view thereof;
FIG. 4 is a right side elevational view thereof;
FIG. 5 is a top plan view thereof;
FIG. 6 is a bottom plan view thereof; and,
FIG. 7 is a perspective view of the light lens shown on a lighting assembly.
The broken line showing of the remainder of the lighting assembly in FIG. 7 forms no part of the claimed design.

1 Claim, 7 Drawing Sheets

- (56) **References Cited**
U.S. PATENT DOCUMENTS
- | | | | | |
|----------------|---------|----------------|-------|------------|
| D234,800 S * | 4/1975 | Swartz | | D26/24 |
| 6,578,994 B1 * | 6/2003 | Beyerlein | | 362/490 |
| D494,288 S * | 8/2004 | Matsui et al. | | D26/2 |
| D603,811 S * | 11/2009 | Son | | D13/180 |
| D613,445 S * | 4/2010 | Beghelli | | D26/74 |
| 7,744,259 B2 * | 6/2010 | Walczak et al. | | 362/421 |
| 7,918,590 B1 * | 4/2011 | Li et al. | | 362/311.02 |



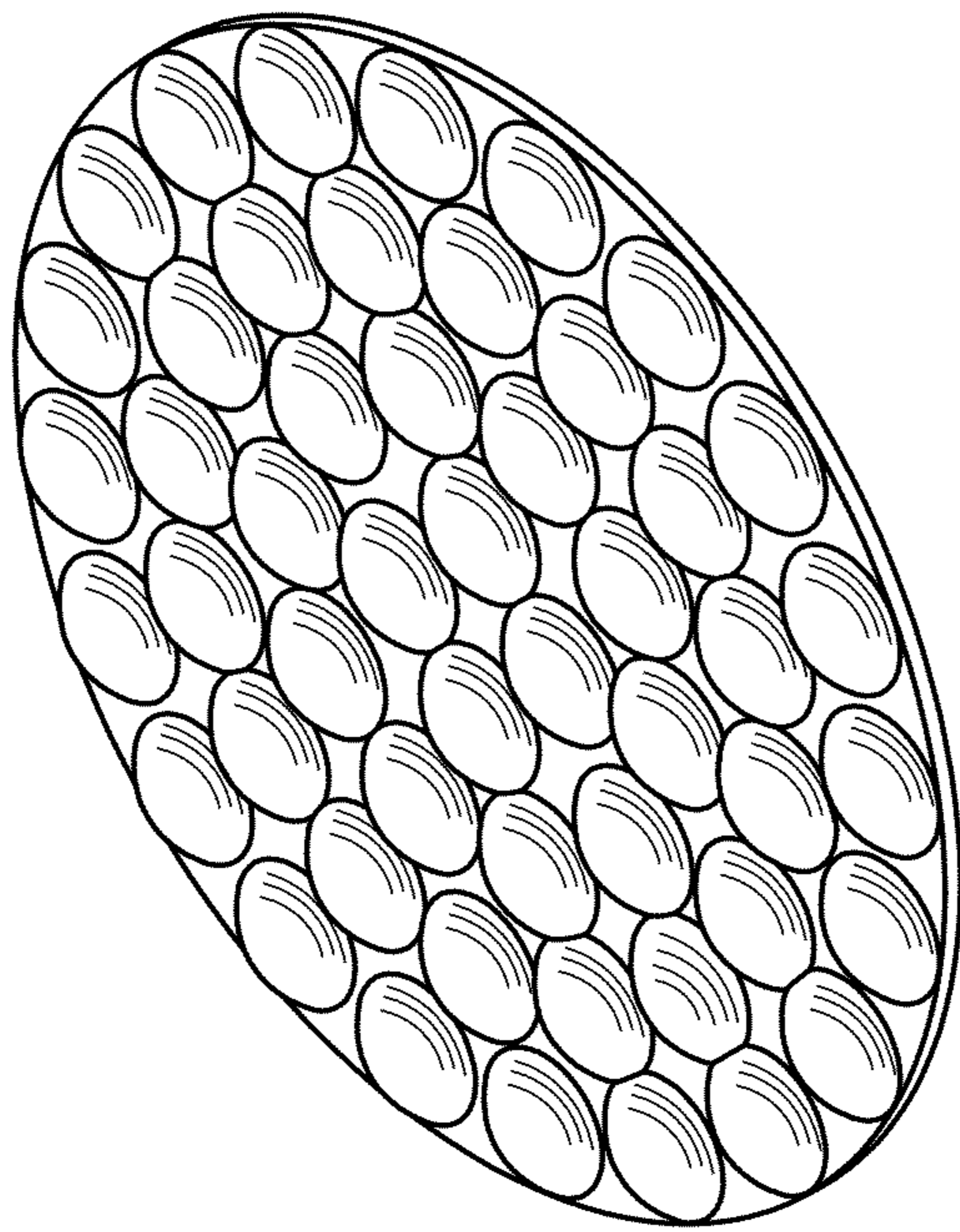


FIG. 1

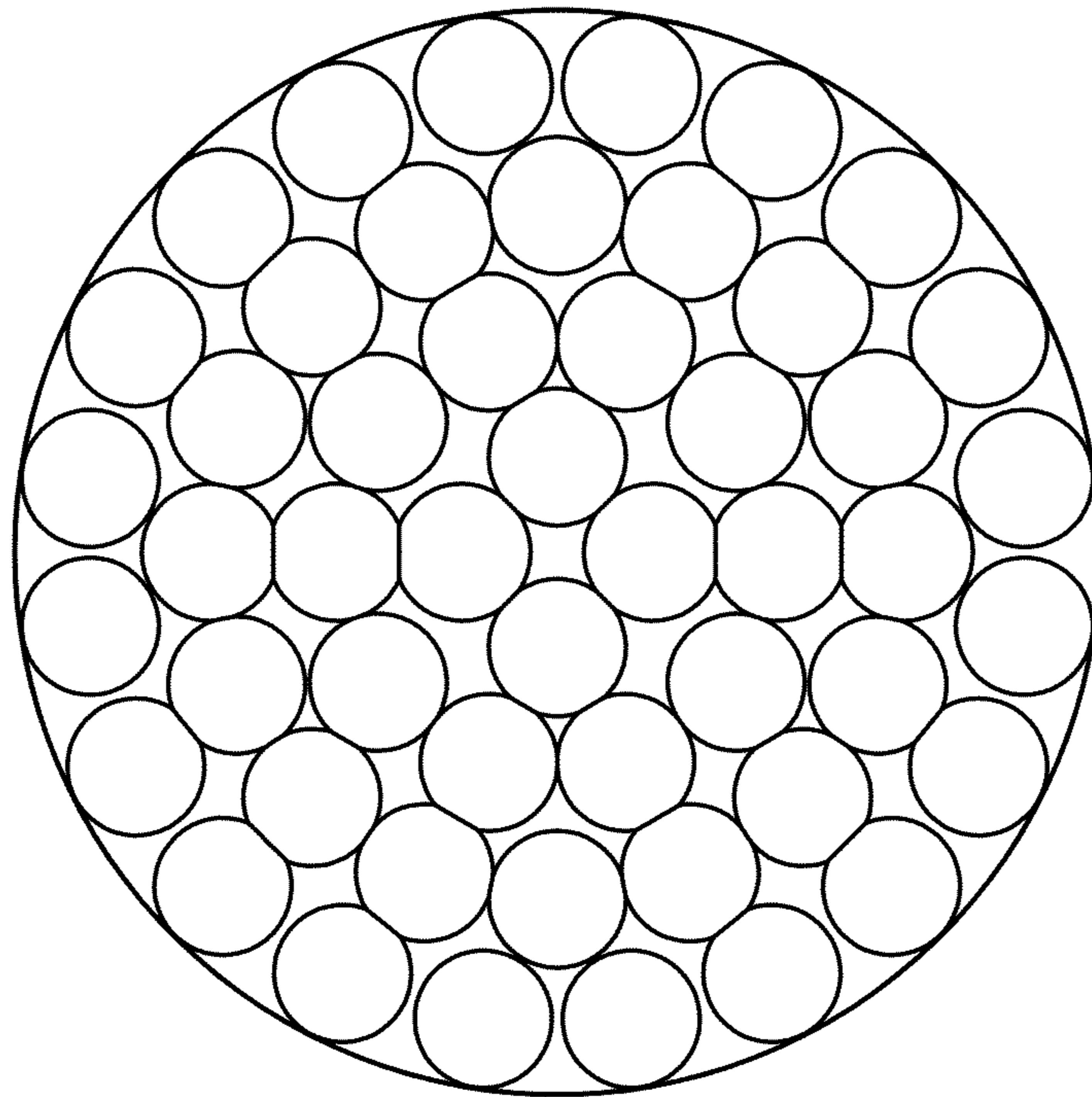


FIG. 2



FIG. 3



FIG. 4



FIG. 5



FIG. 6

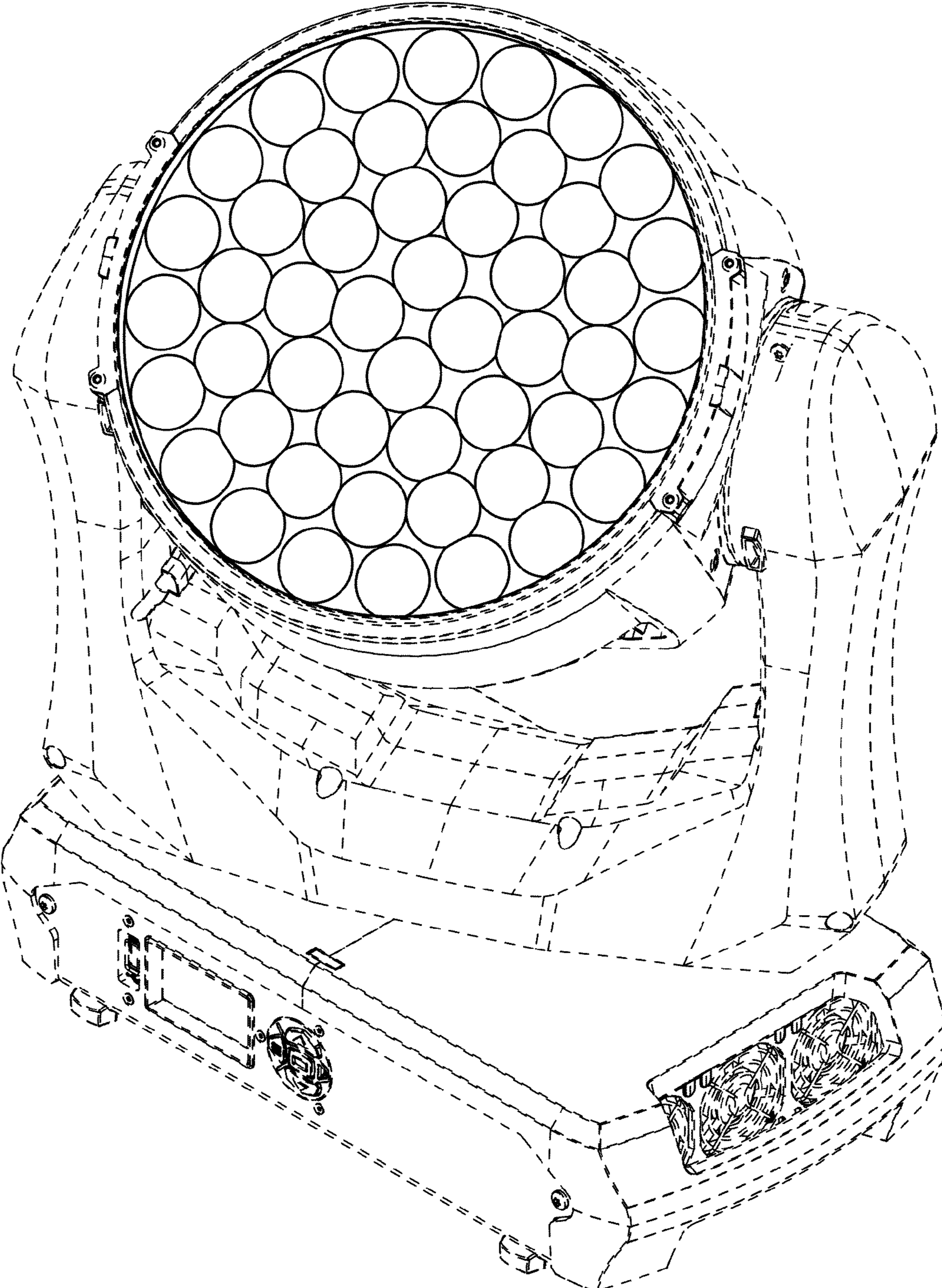


FIG. 7