



US00D712083S

(12) **United States Design Patent**
Crosby

(10) **Patent No.:** **US D712,083 S**

(45) **Date of Patent:** **** Aug. 26, 2014**

(54) **LIGHTING FIXTURE**

(71) Applicant: **Boyd Lighting Fixture Company,**
Sausalito, CA (US)

(72) Inventor: **Doyle Crosby,** San Rafael, CA (US)

(73) Assignee: **Boyd Lighting Fixture Company,**
Sausalito, CA (US)

(**) Term: **14 Years**

(21) Appl. No.: **29/456,672**

(22) Filed: **Jun. 3, 2013**

(51) **LOC (10) Cl.** **26-03**

(52) **U.S. Cl.**
USPC **D26/85**

(58) **Field of Classification Search**
CPC F21S 8/04; F21V 21/02; F21V 29/02;
F21V 17/08; F21V 17/10; F21V 17/06
USPC D26/24, 26, 72, 85, 89, 118, 128, 130,
D26/134-136; 362/147, 350, 404-408,
362/453-456, 373

See application file for complete search history.

(56) **References Cited**

U.S. PATENT DOCUMENTS

D288,009 S	1/1987	Pfister	
D288,136 S	2/1987	Pfister	
D288,249 S	2/1987	Pfister	
D354,579 S	1/1995	Chan	
D382,663 S	8/1997	Barry	
D411,634 S *	6/1999	Connelly	D26/24
D412,040 S *	7/1999	Hudak et al.	D26/87
D441,119 S	4/2001	Crosby	
D454,971 S	3/2002	Crosby	
D455,223 S	4/2002	Crosby	
D456,550 S	4/2002	Clodagh	
D456,932 S	5/2002	Crosby	
D459,525 S	6/2002	Barry	

D464,759 S *	10/2002	Thompson	D26/89
D505,512 S	5/2005	Rugee	
D508,294 S	8/2005	Rugee	
D509,619 S	9/2005	Rugee	
D521,176 S	5/2006	Rugee	
D536,468 S	2/2007	Crosby	

(Continued)

OTHER PUBLICATIONS

Q-Bo Wall or Ceiling Light #GLB-BLX-820100U from ylighting.com, visited Jun. 2, 2014.*

(Continued)

Primary Examiner — Clare E Heflin

(74) *Attorney, Agent, or Firm* — Heslin Rothenberg Farley & Mesiti P.C.

(57) **CLAIM**

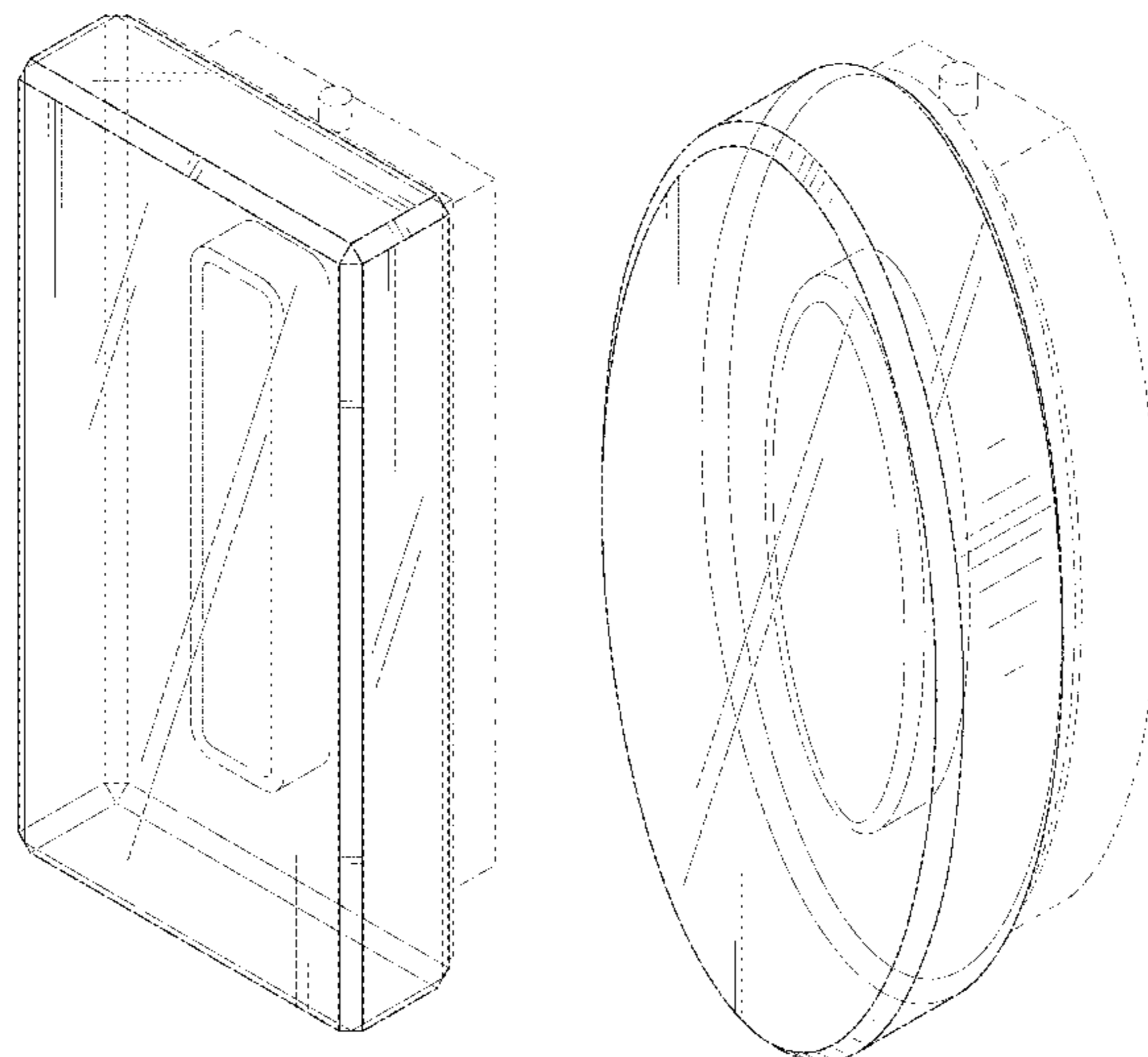
The ornamental design for a lighting fixture, as shown and described.

DESCRIPTION

FIG. 1 is a perspective view of a lighting fixture in accordance with the new design;
 FIG. 2 is a front elevational view thereof;
 FIG. 3 is a right side elevational view thereof;
 FIG. 4 is a left side elevational view thereof;
 FIG. 5 is a top view thereof;
 FIG. 6 is a bottom view thereof;
 FIG. 7 is a perspective view of an alternative embodiment of a lighting fixture in accordance with the new design;
 FIG. 8 is a front elevational view thereof;
 FIG. 9 is a right side elevational view thereof;
 FIG. 10 is a left side elevational view thereof;
 FIG. 11 is a top view thereof; and,
 FIG. 12 is a bottom view thereof.

The broken lines in the figures are for illustration purposes only and form no part of the claimed invention.

1 Claim, 12 Drawing Sheets



(56)

References Cited

U.S. PATENT DOCUMENTS

D536,820 S 2/2007 Crosby
 D558,912 S 1/2008 Crosby
 D569,030 S * 5/2008 Lee D26/85
 D599,944 S * 9/2009 Sabernig D26/74
 D608,488 S * 1/2010 Miranda D26/87
 D609,389 S * 2/2010 Sabernig D26/87
 D632,003 S 2/2011 Jordan
 D638,568 S * 5/2011 Wang et al. D26/85
 D641,098 S * 7/2011 Wildner D26/89
 D646,424 S 10/2011 Ho
 D646,425 S 10/2011 Crosby
 D649,679 S * 11/2011 Germain et al. D26/91
 D654,614 S 2/2012 Williamson
 D672,080 S * 12/2012 Wauters D26/85

D674,952 S 1/2013 Crosby
 D687,178 S * 7/2013 Grandsart et al. D26/85
 D701,634 S * 3/2014 Tomlinson et al. D26/85

OTHER PUBLICATIONS

Cubi Wall or Ceiling Light #LEU-Cubi-Wall-Ceiling from ylighting.com; visited Jun. 2, 2014.*
 Matrix Ceiling Fixture #IEQ-Matrix-Ceiling from ylighting.com; visited Jun. 2, 2014.*
 Elba Incandescent Wall or Ceiling Light #LCL-AI-LATI-I from ylighting.com; visited Jun. 2, 2014.*
 Blocks of Ice, available from Lidcombe Ice, Sefton, Australia, print-out available online on Jun. 26, 2013, at <http://www.lidcombeice.com.au/index.php?cPath=22>, 3-pages, at least as early as Feb. 14, 2011.

* cited by examiner

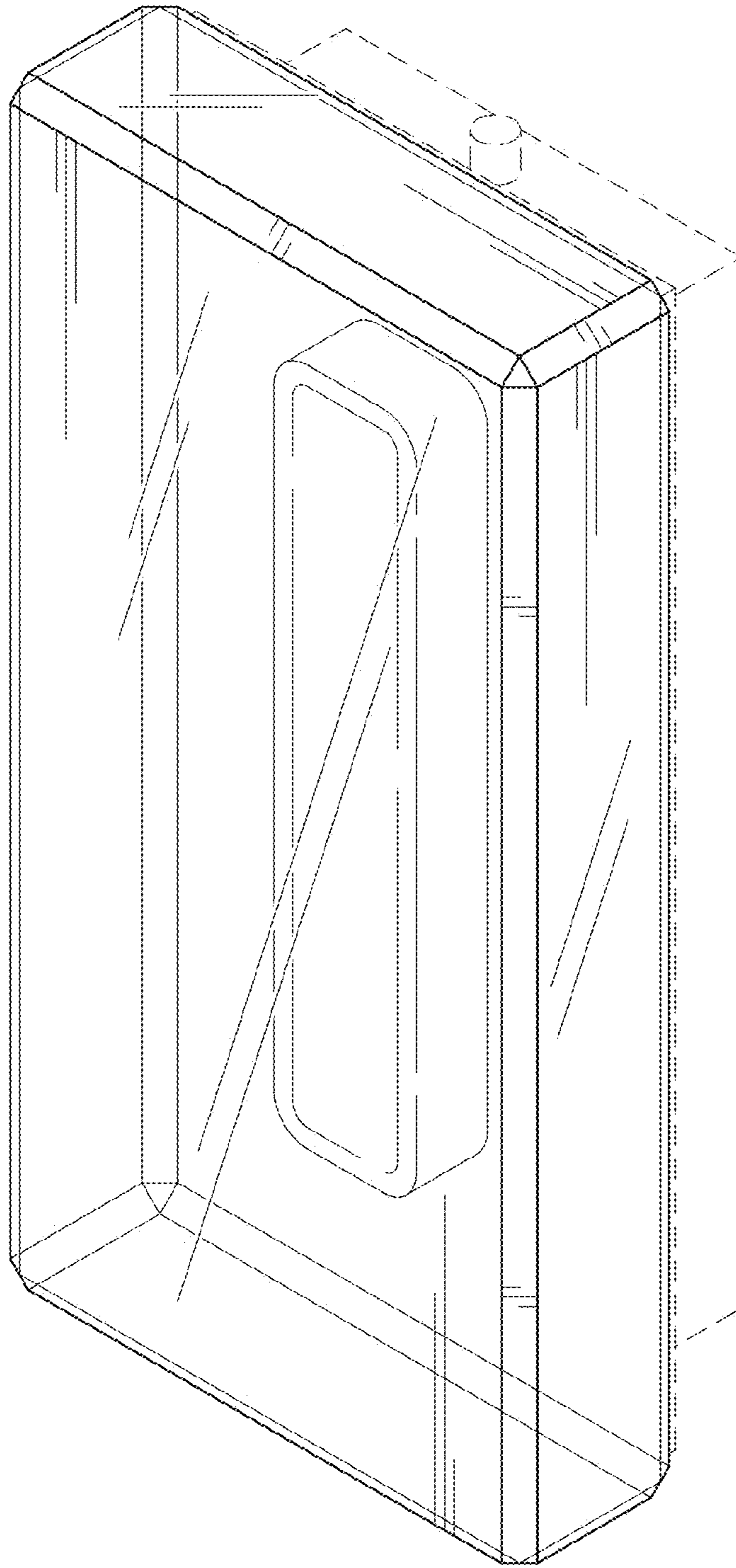


FIG. 1

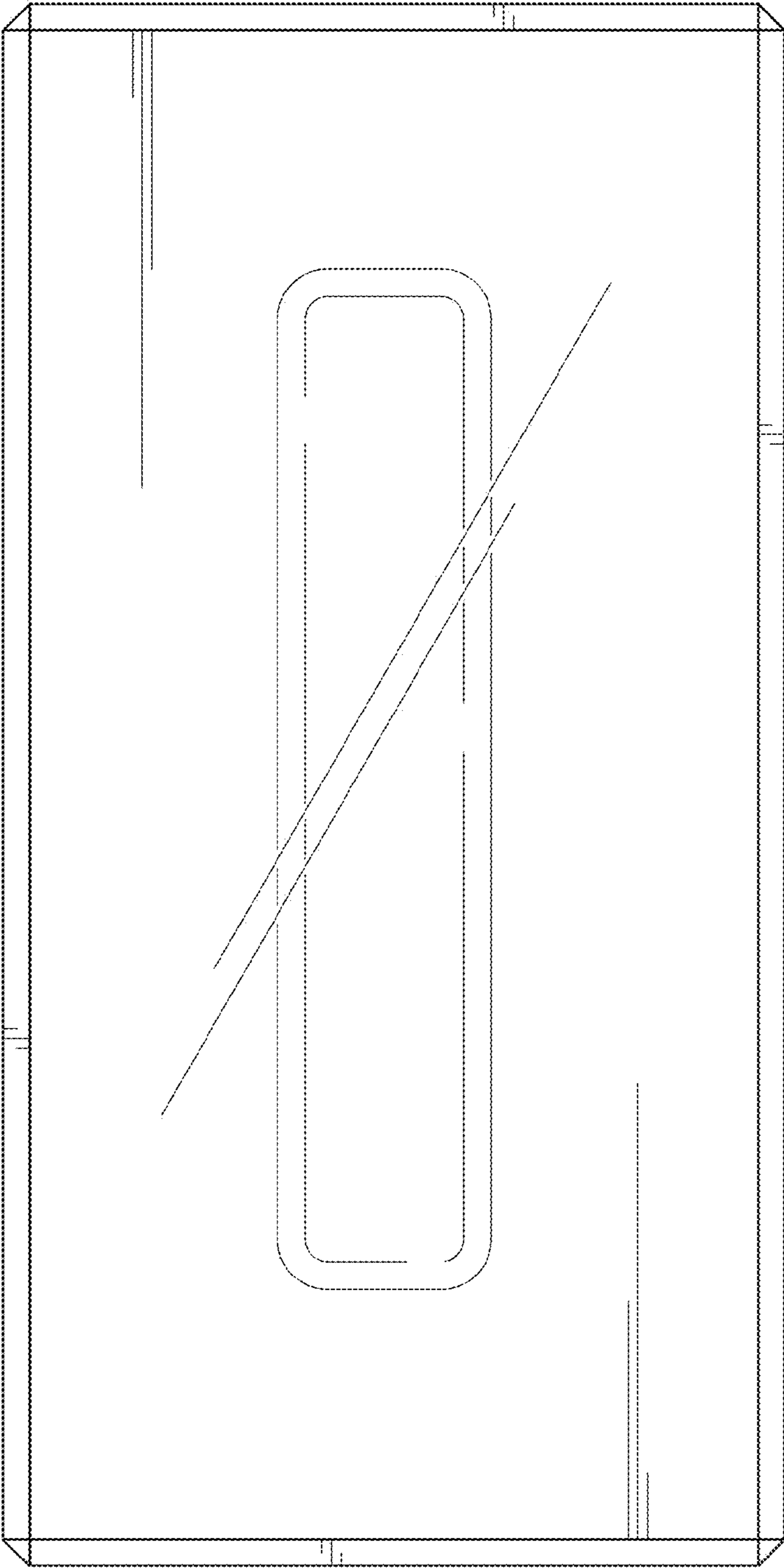


FIG. 2

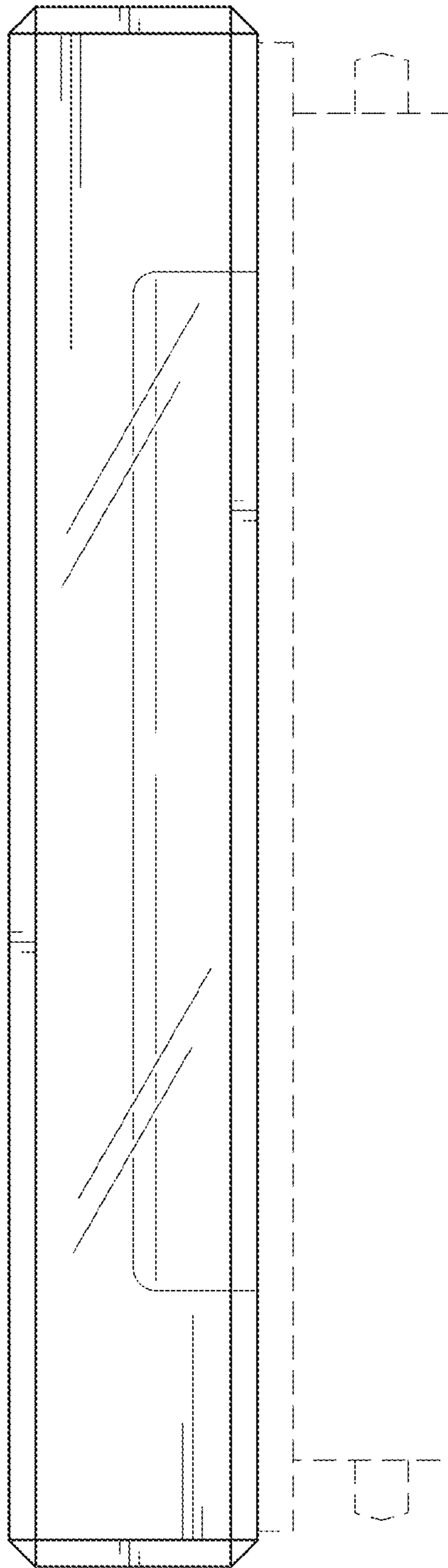


FIG. 3

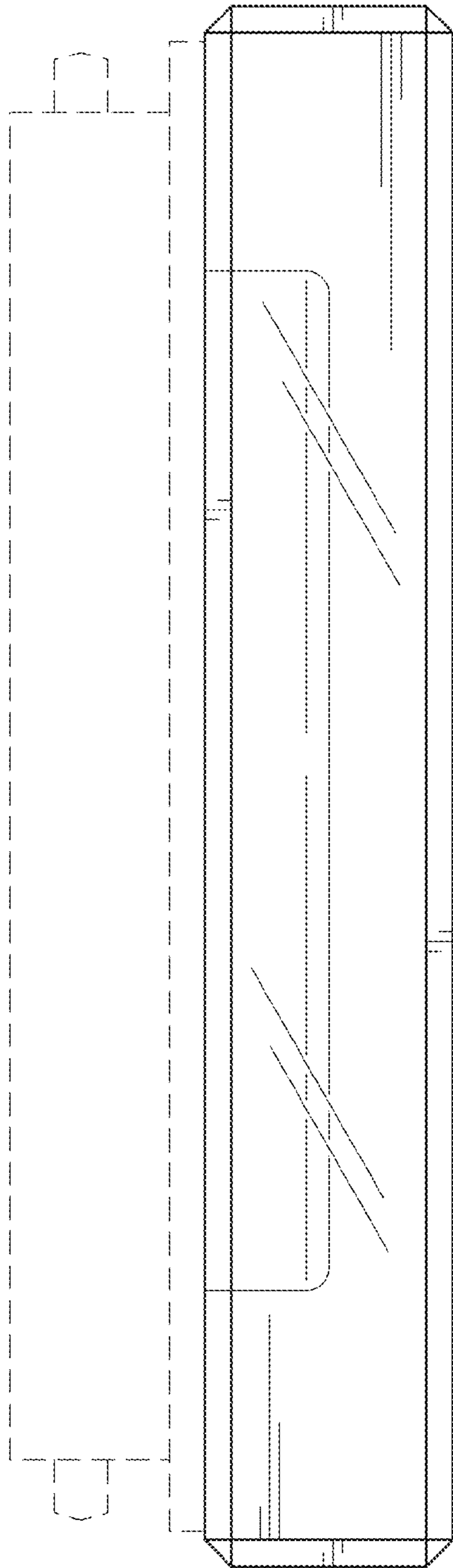


FIG. 4

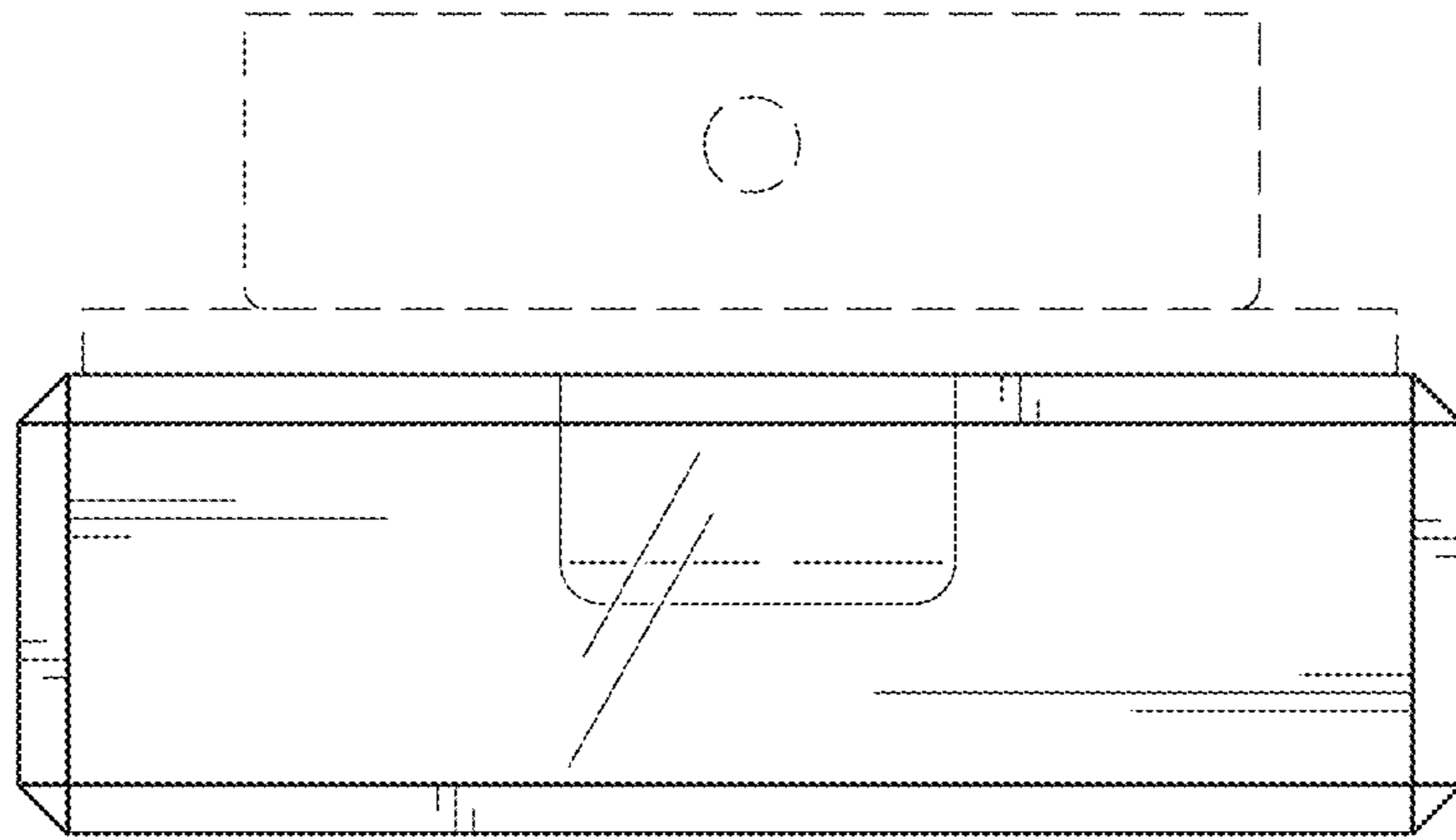


FIG. 5

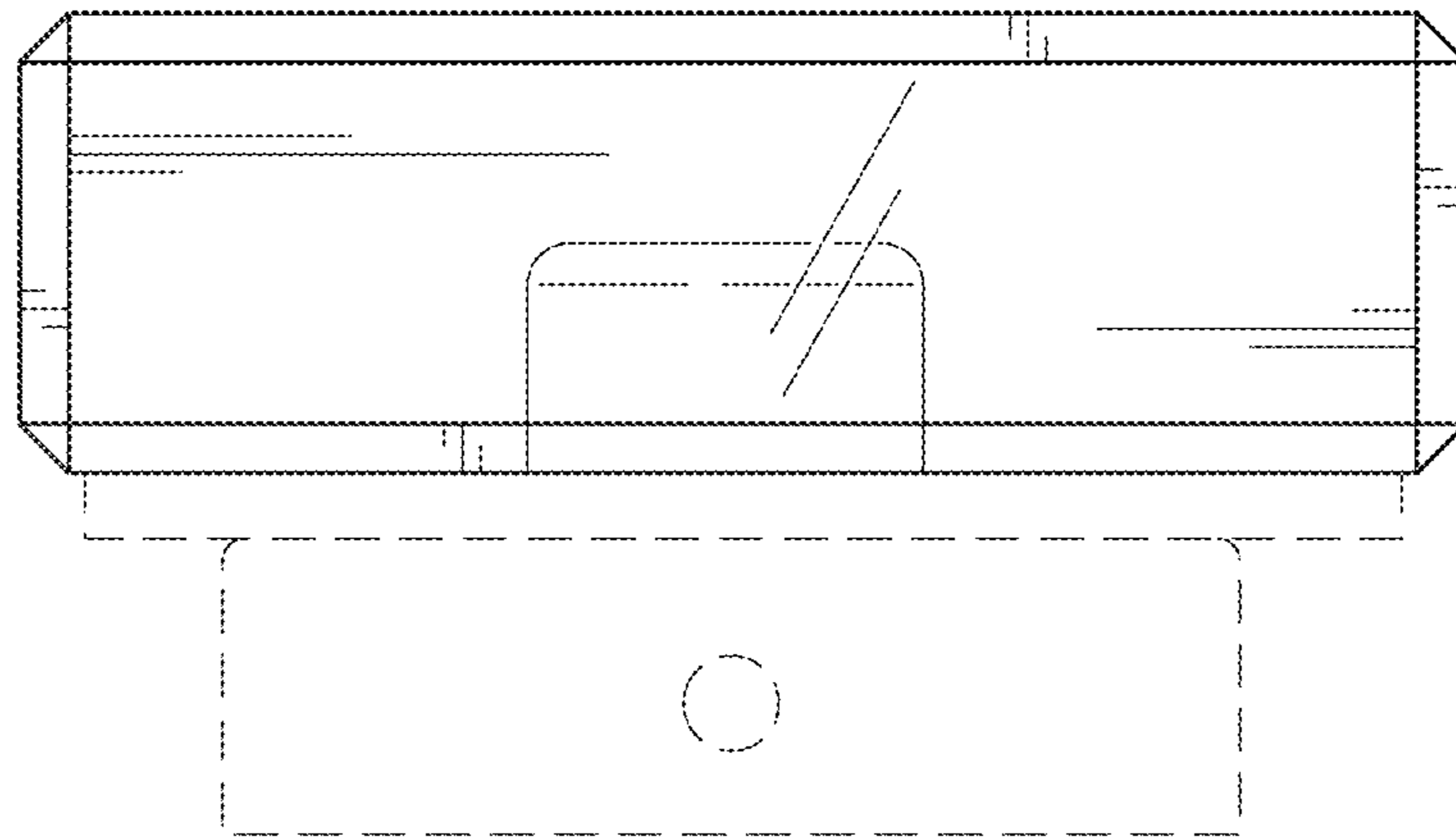


FIG. 6

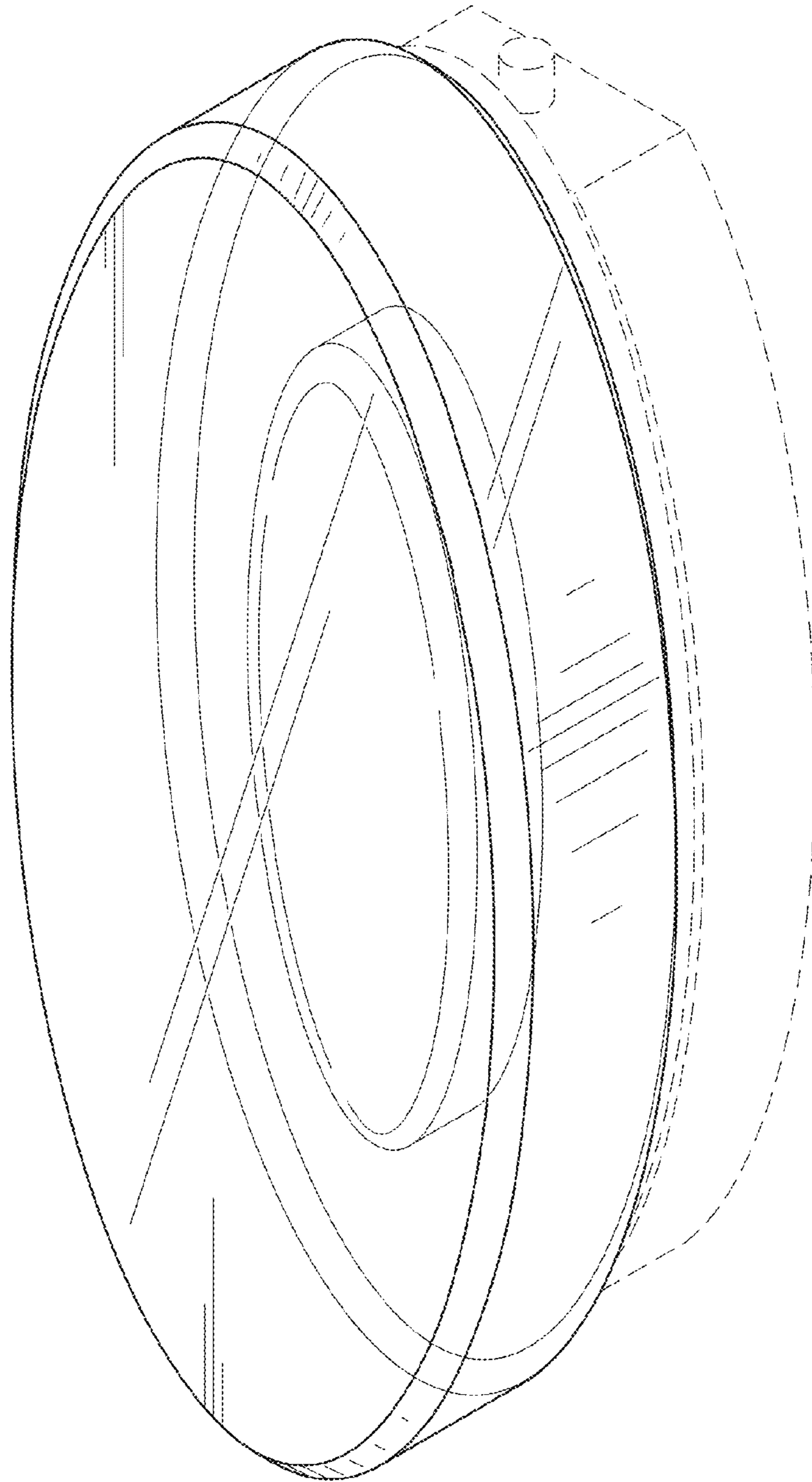


FIG. 7

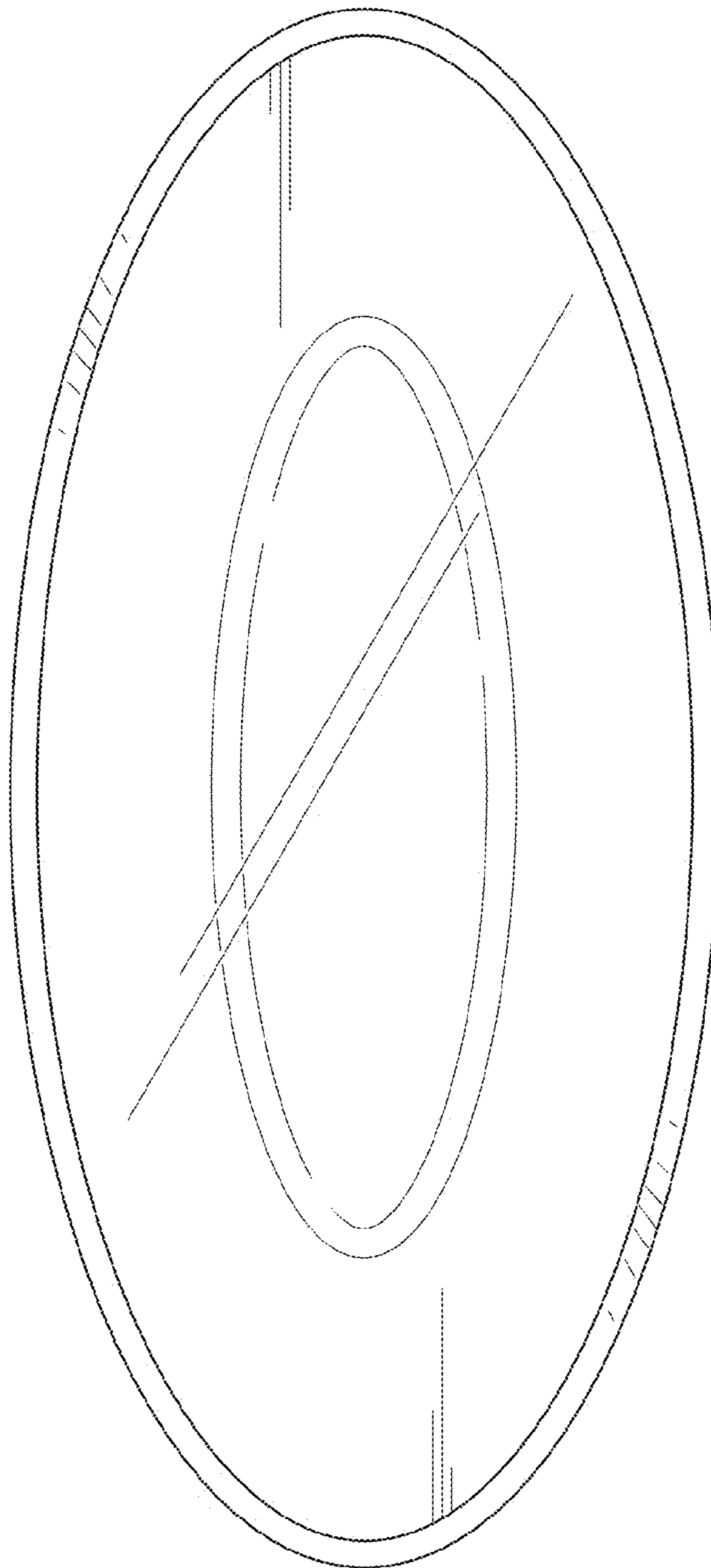


FIG. 8

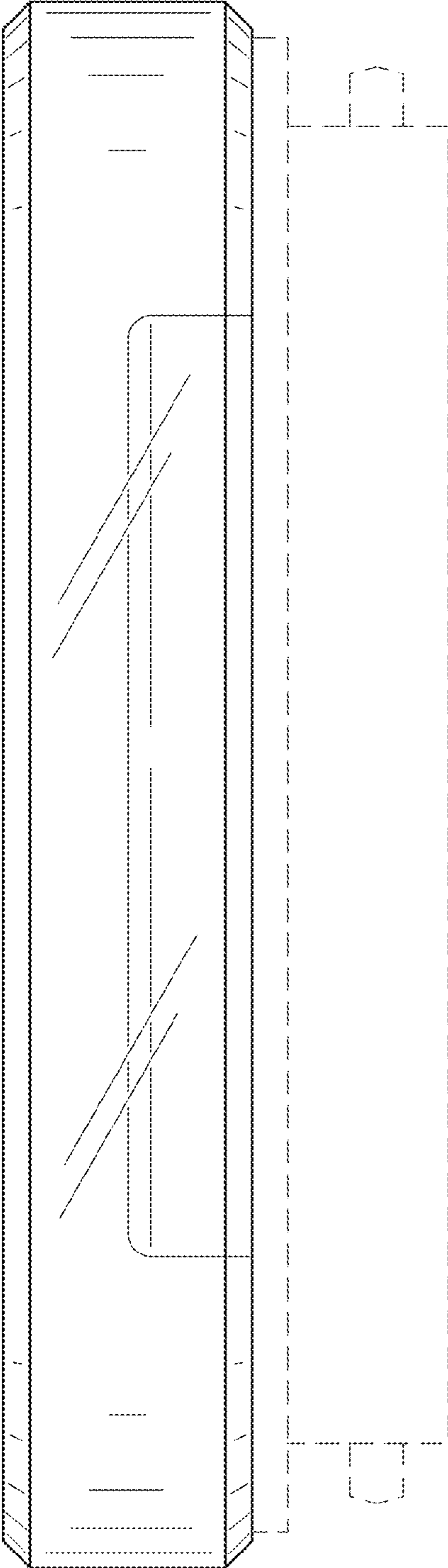


FIG. 9

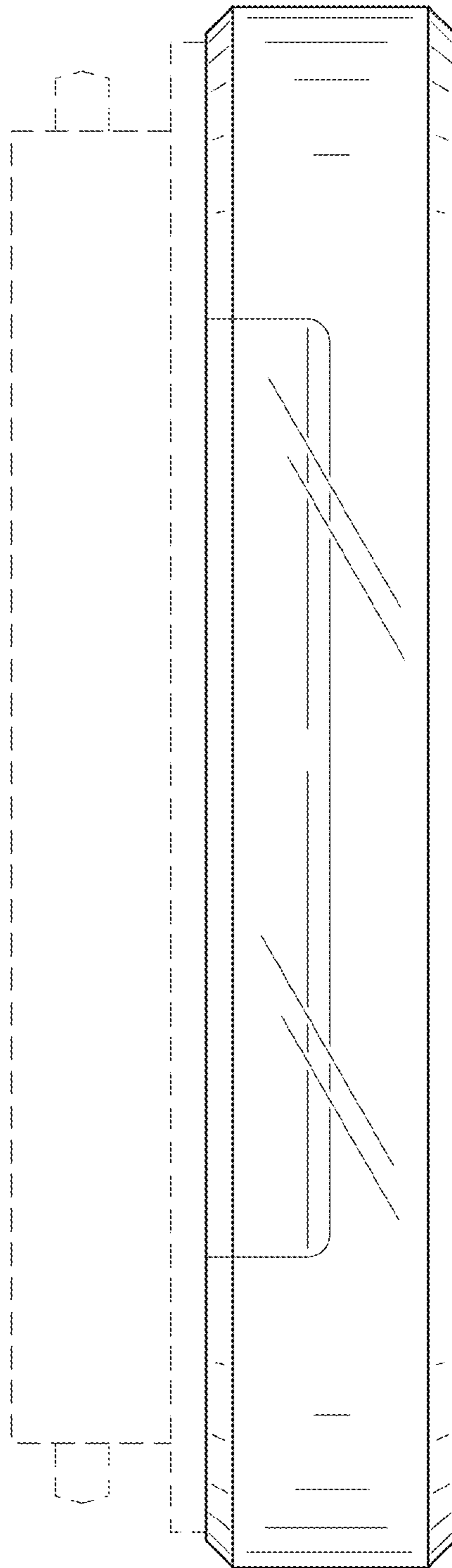


FIG. 10

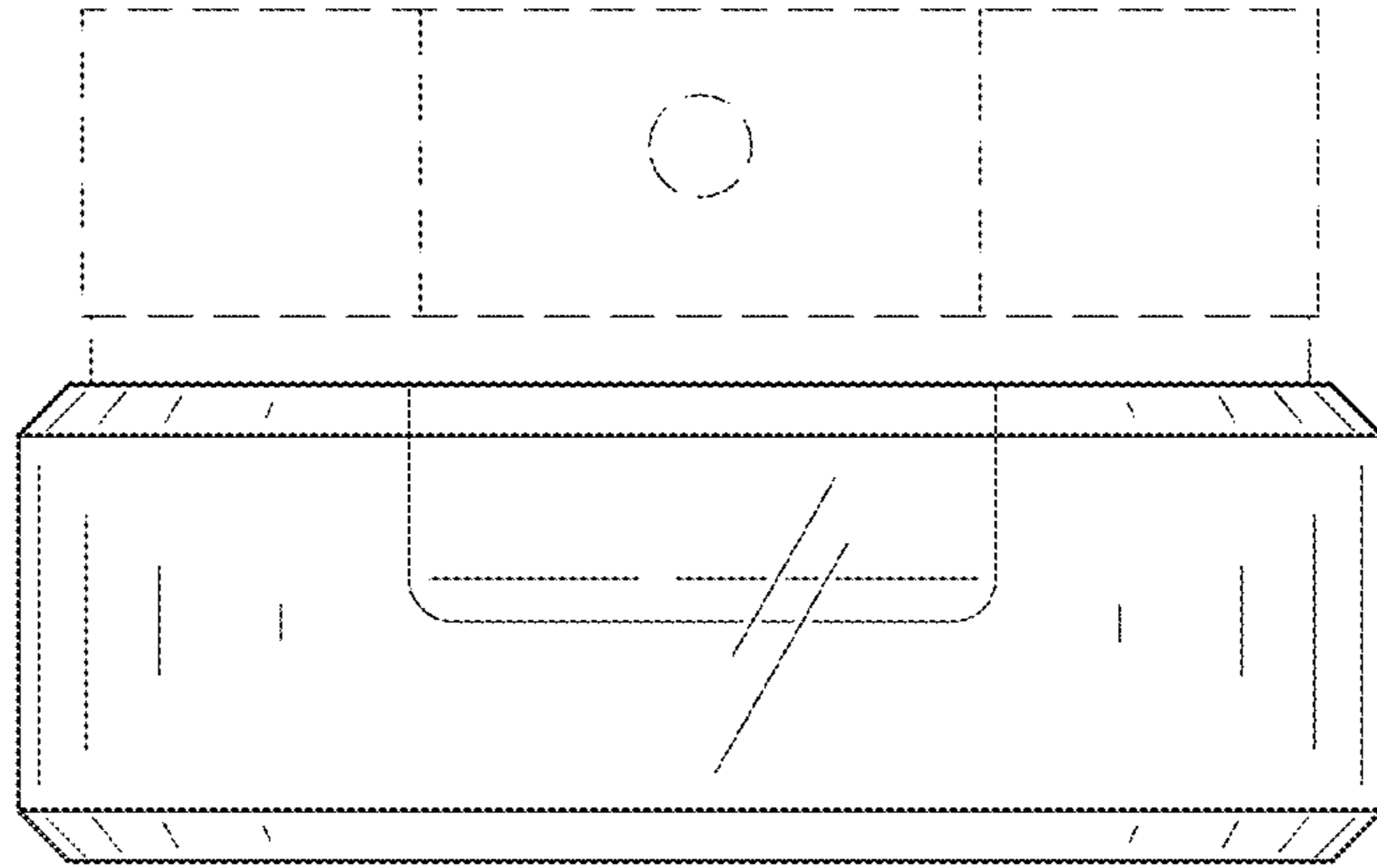


FIG. 11

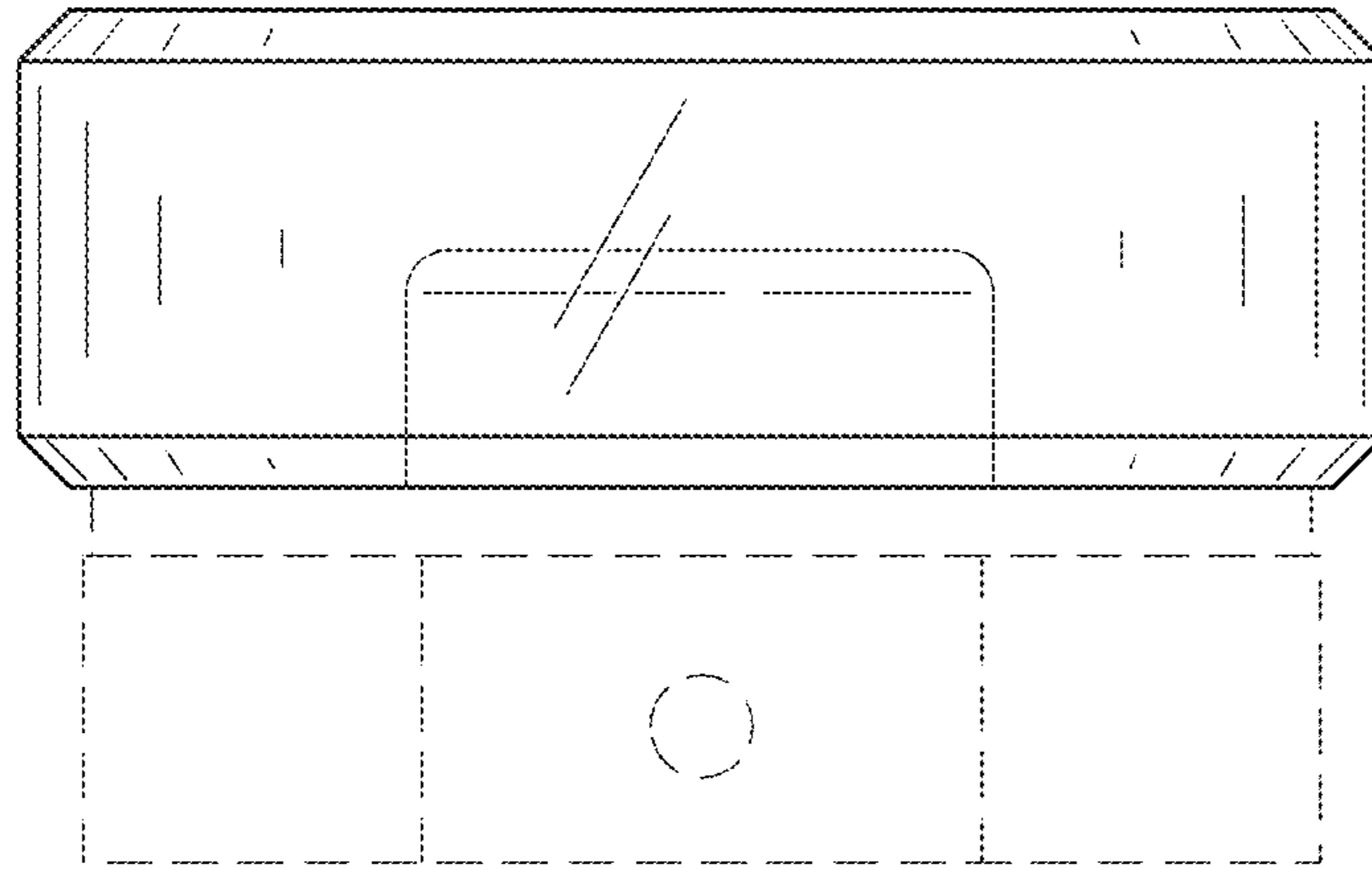


FIG. 12