



US00D712082S

(12) **United States Design Patent**
Harpenau et al.

(10) **Patent No.:** **US D712,082 S**

(45) **Date of Patent:** **** Aug. 26, 2014**

- (54) **SURFACE DOWNLIGHT**
- (71) Applicants: **Kevin Roy Harpenau**, Peachtree City, GA (US); **Christopher G. Ladewig**, Fayetteville, GA (US); **Jerold Alan Tickner**, Newnan, GA (US)
- (72) Inventors: **Kevin Roy Harpenau**, Peachtree City, GA (US); **Christopher G. Ladewig**, Fayetteville, GA (US); **Jerold Alan Tickner**, Newnan, GA (US)
- (73) Assignee: **Cooper Technologies Company**, Houston, TX (US)
- (**) Term: **14 Years**
- (21) Appl. No.: **29/452,681**
- (22) Filed: **Apr. 19, 2013**
- (51) **LOC (10) Cl.** **26-05**
- (52) **U.S. Cl.**
USPC **D26/74**
- (58) **Field of Classification Search**
CPC F21S 8/00; F21S 8/02; F21S 8/03; F21S 8/10; F21S 8/022; F21S 8/024; F21S 8/026
USPC D26/1-3, 24, 26, 59, 60, 61, 64, 67, D26/72-74, 81-89, 113, 118-124, 128, 129, D26/131, 142; D30/129; D16/213, 219, D16/220, 134-136; 362/135-142, 145, 147, 362/148, 153, 153.1, 640, 641, 362, 365, 362/368; D7/396.1, 397, 500; D12/204, D12/207; D6/308, 309
See application file for complete search history.

1,699,339	A	*	1/1929	Alaj	D26/129
D81,764	S	*	8/1930	Stoyanoff	D7/397
2,185,866	A	*	1/1940	Paige	D6/309
D140,205	S	*	1/1945	Lyon	D12/204
2,736,610	A	*	2/1956	Waite	301/37.42
2,874,561	A	*	2/1959	Alger	70/169
2,954,629	A	*	10/1960	Matin	40/587
3,223,834	A	*	12/1965	Lorio	D26/124
3,543,224	A	*	11/1970	Fisher	F21S 8/02
D253,829	S	*	1/1980	Mielke et al.	D16/217
D258,017	S	*	1/1981	Steinkamp et al.	D6/312
D334,667	S	*	4/1993	Lonczak et al.	D6/308
D338,288	S	*	8/1993	Key	D30/129

(Continued)

OTHER PUBLICATIONS

Robert Monk Electric, "Commercial Electric's T91 retrofit recess/new construction LED wows," <http://www.phillylicensedelectrician.com/commercial-electrics-t91-retrofit-recessnew-construction-led-wows>; Sep. 13, 2012.

(Continued)

Primary Examiner — Garth Rademaker
Assistant Examiner — Llorellys Martinez-Rivera
(74) *Attorney, Agent, or Firm* — King & Spalding LLP

(57) **CLAIM**
The ornamental design for a surface downlight, as shown and described.

DESCRIPTION

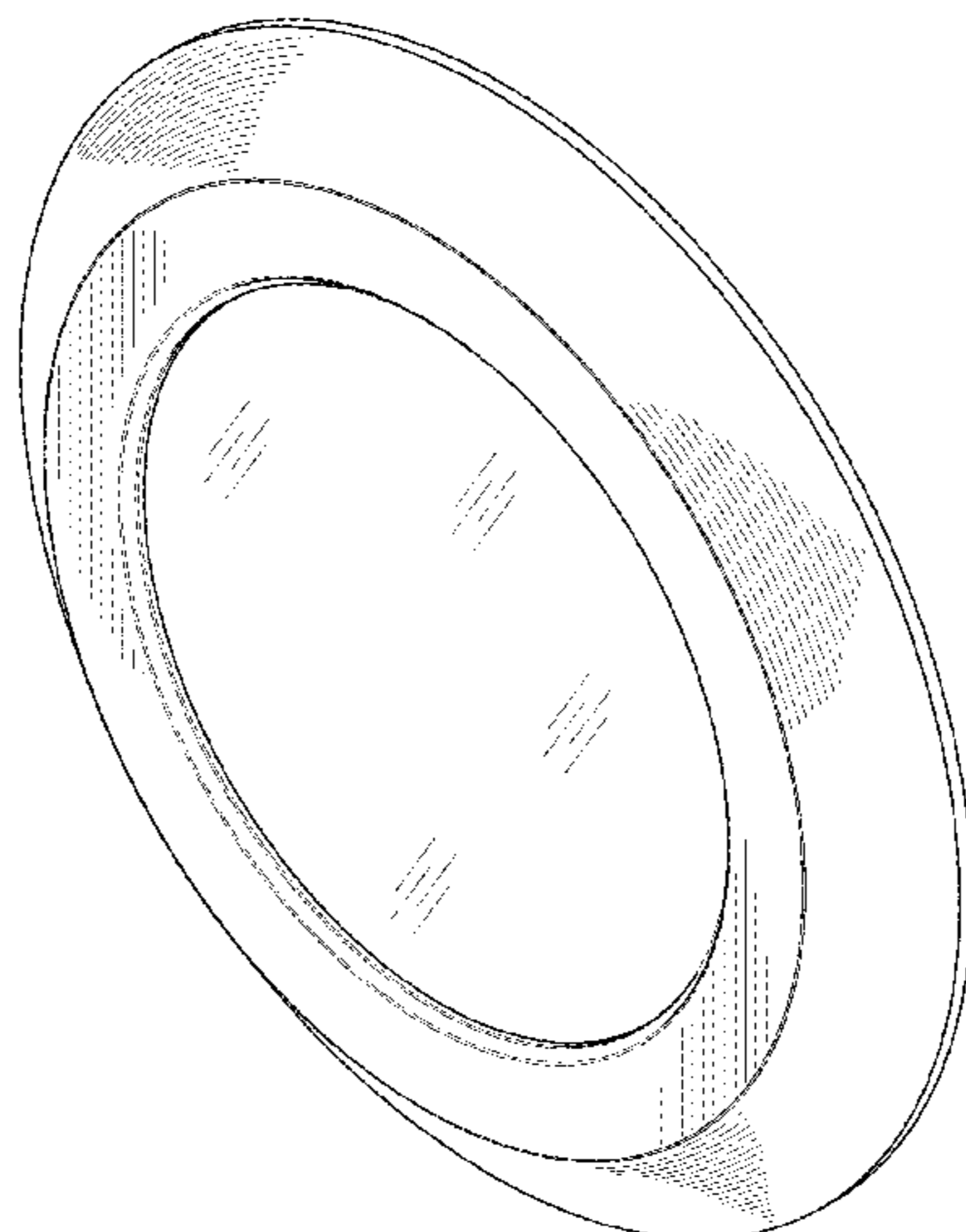
FIG. 1 is a perspective view of a surface downlight, showing our new design;
FIG. 2 is a bottom plan view thereof;
FIG. 3 is a top plan view thereof;
FIG. 4 is a front elevation view thereof;
FIG. 5 is a back elevation view thereof;
FIG. 6 is a left-side elevation view thereof; and,
FIG. 7 is a right-side elevation view thereof.
The broken lines shown represent portions of a surface downlight which form no part of the claimed design.

1 Claim, 4 Drawing Sheets

(56) **References Cited**

U.S. PATENT DOCUMENTS

D1,293	S	*	7/1860	Pardii	D12/207
D15,850	S	*	2/1885	Brownell	D6/309
D53,619	S	*	7/1919	Stutz	D26/36
D60,711	S	*	3/1922	Walsh	D26/35



(56)

References Cited

U.S. PATENT DOCUMENTS

D379,125 S * 5/1997 Simjian D6/309
 D437,492 S * 2/2001 Wai D6/309
 D445,526 S * 7/2001 Wang D26/76
 D454,256 S * 3/2002 Johnson D6/309
 D469,211 S * 1/2003 Homann D26/118
 D482,484 S * 11/2003 Benghozi D26/85
 D514,733 S * 2/2006 Benensohn D26/89
 D516,255 S * 2/2006 Maguire D30/129
 7,070,306 B2 * 7/2006 Cousin F21S 8/02
 D554,316 S * 10/2007 Brothers D30/129
 D601,744 S * 10/2009 Sakuma D26/89
 D604,454 S * 11/2009 Majidi D26/142
 7,736,031 B1 * 6/2010 Rashidi F21S 8/02
 D644,351 S * 8/2011 Hasse D26/2
 D647,227 S * 10/2011 Kaule et al. D26/24
 D655,850 S * 3/2012 Sabernig D26/85
 D656,264 S * 3/2012 Janssen D26/85

D667,985 S * 9/2012 Gielen D26/89
 D681,867 S * 5/2013 Wegger et al. D26/124
 D688,394 S * 8/2013 Tsai D26/2
 D689,212 S * 9/2013 Chyan et al. D26/2
 D691,321 S * 10/2013 Chen et al. D26/124
 D691,745 S * 10/2013 Wang et al. D26/2
 D695,927 S * 12/2013 Anderson et al. D26/2
 2010/0110699 A1 * 5/2010 Chou F21S 8/026
 2011/0080727 A1 * 4/2011 Maxik et al. F21S 8/026

OTHER PUBLICATIONS

Amazon.com; T67/Commercial Electric 6 Inc. Recessed Soft White
 Disk Light; Specification Sheet; May 2, 2013.
 Lighting Science; Glimpse LED Retrofit & Surface Mount Fixture
 Installation Manual; Jan. 2013.
 Sylvania; Ultra Light Disk LED: Recessed and Surface Mount
 Downlight Kit; Nov. 2013.

* cited by examiner

FIG. 1

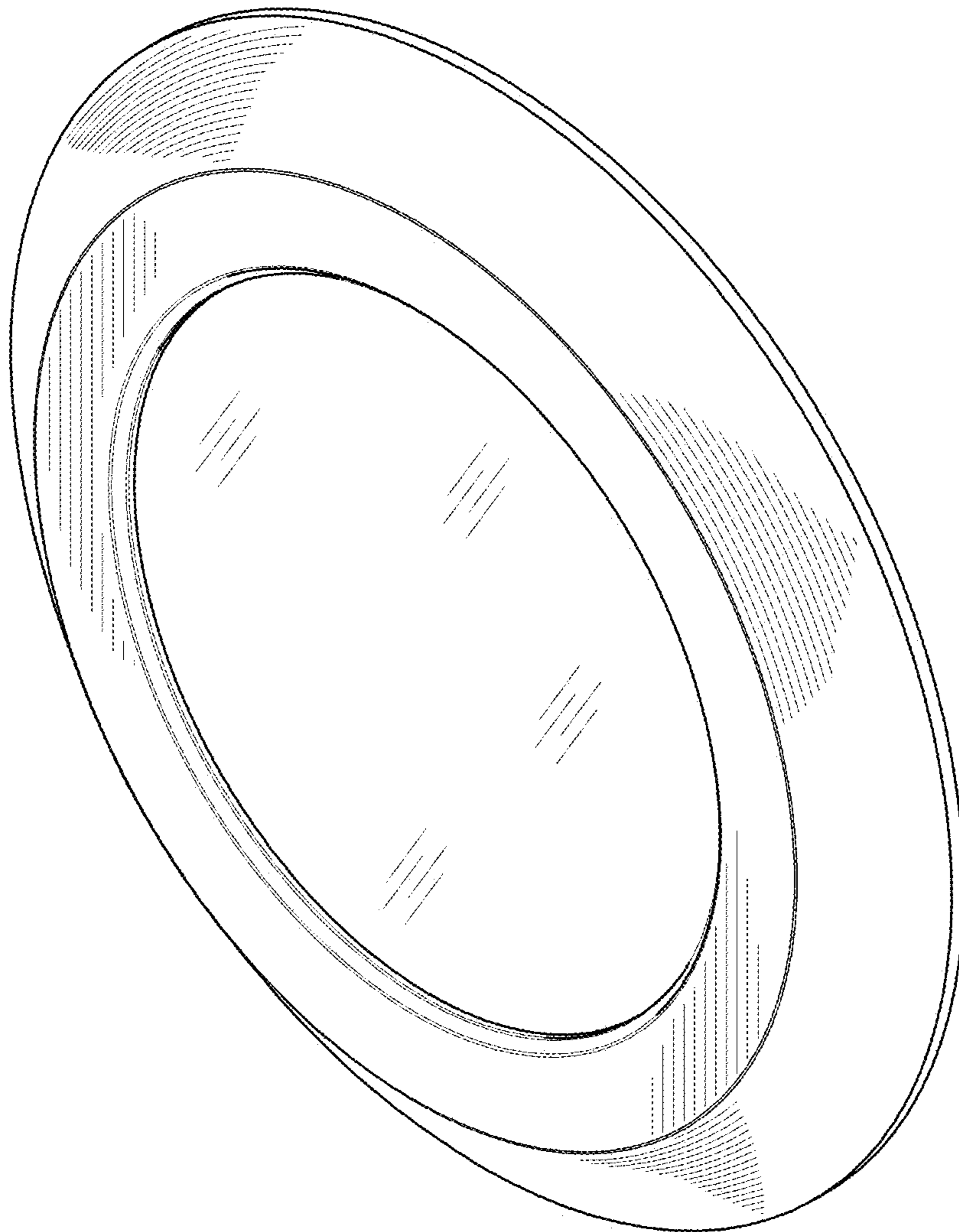


FIG. 2

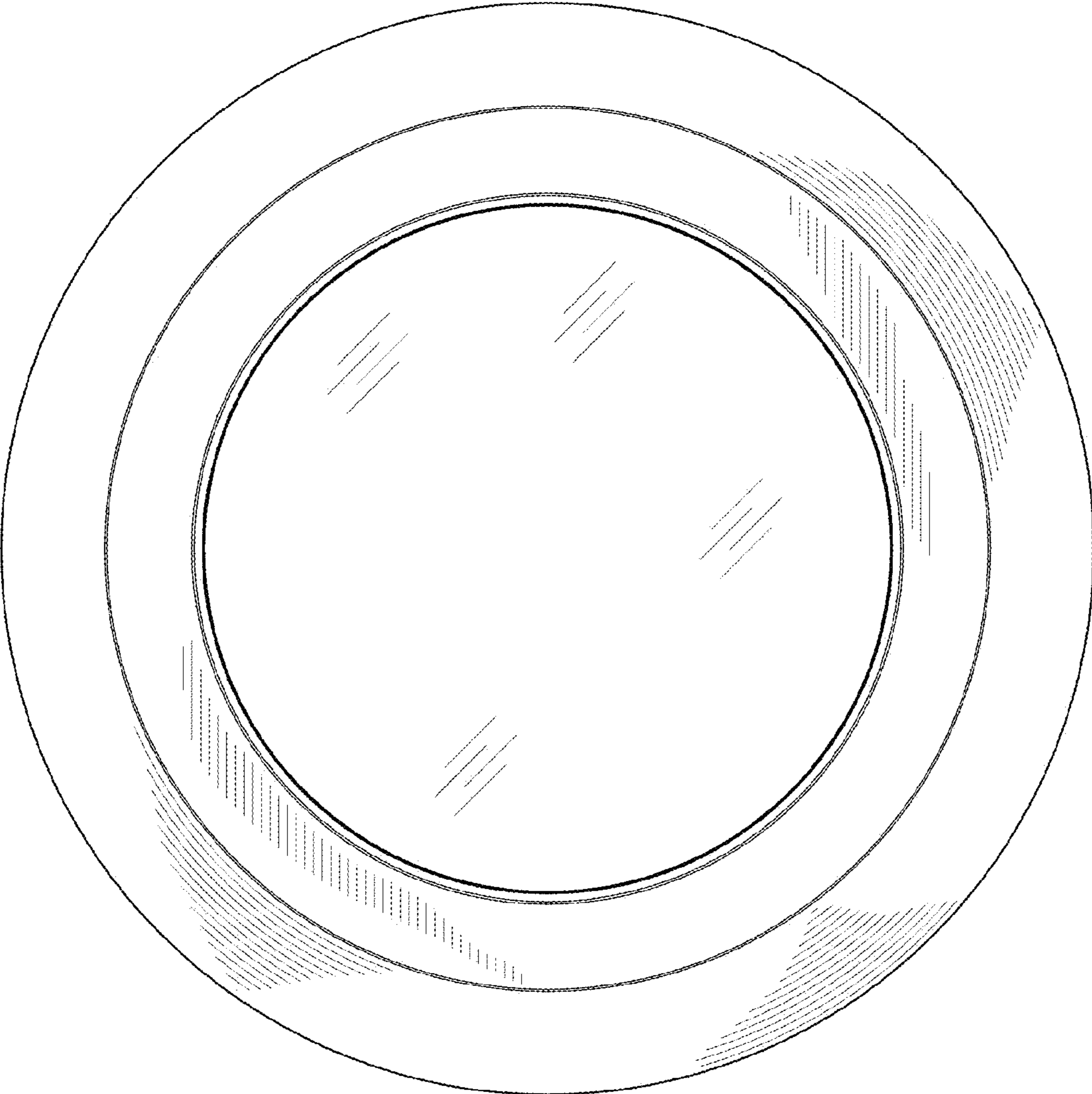


FIG. 3

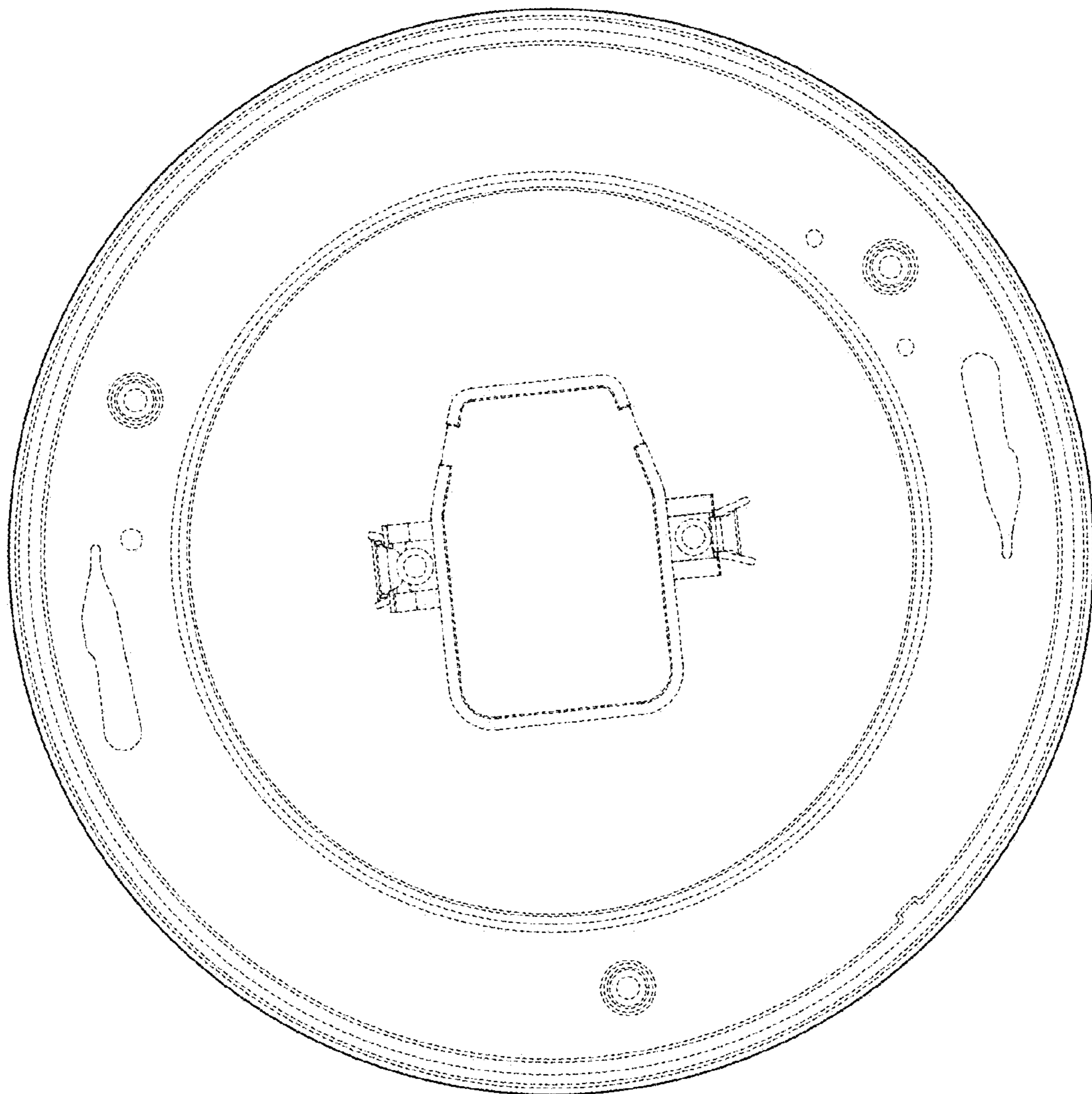


FIG. 4

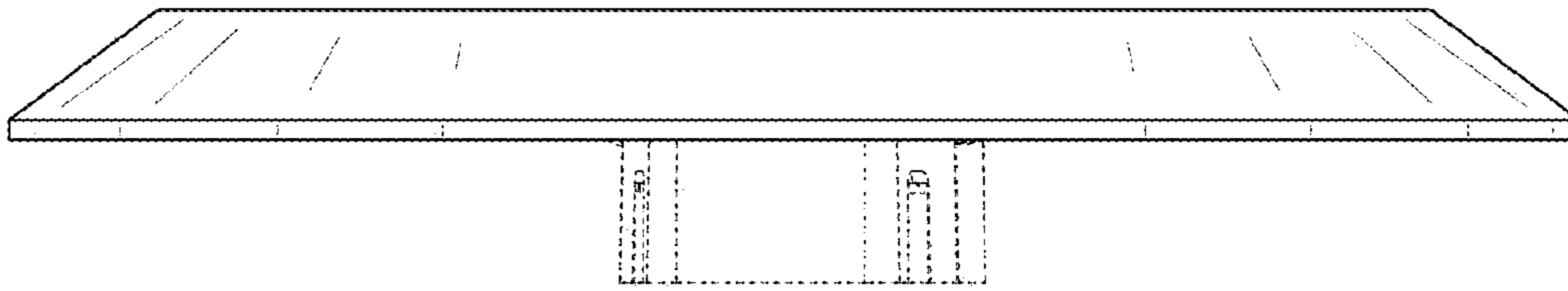


FIG. 5

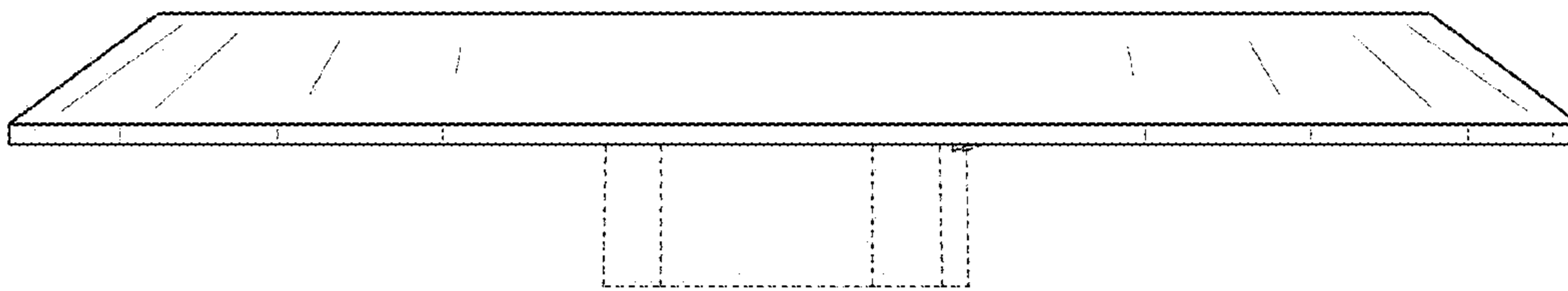


FIG. 6

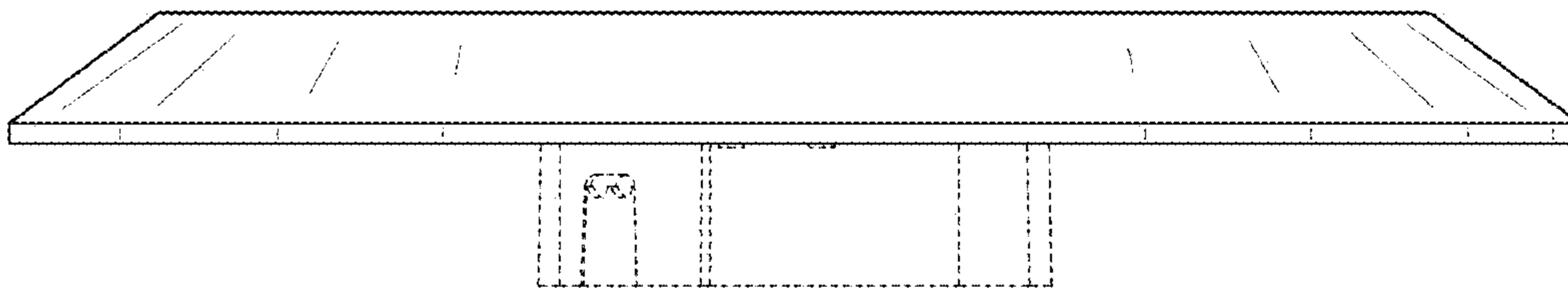


FIG. 7

