



US00D712081S

(12) **United States Design Patent**
Murata et al.

(10) **Patent No.:** **US D712,081 S**
(45) **Date of Patent:** **** Aug. 26, 2014**

(54) **LIGHTING FIXTURE**

D502,565 S * 3/2005 Hetfield D26/76
D579,138 S * 10/2008 Ghini D26/76

(71) Applicant: **Toshiba Lighting & Technology Corporation**, Kanagawa (JP)

(Continued)

(72) Inventors: **Kazuyuki Murata**, Tokyo (JP);
Akimichi Takahashi, Yokosuka (JP);
Jun Ooshima, Yokosuka (JP); **Yasuhiro Sano**, Yokosuka (JP)

FOREIGN PATENT DOCUMENTS

JP 1395991 8/2010
JP 1397864 10/2010
JP 1411481 4/2011
JP 1484477 10/2013

(73) Assignee: **Toshiba Lighting & Technology Corporation**, Kanagawa (JP)

OTHER PUBLICATIONS

Toshiba Lighting & Technology Corporation, "http://www.tlt.co.jp/tlt/products/new/20130516/20130516.htm", retrived on Jun. 14, 2013, "LED base light: AQ series", with a partial English translation and explanation thereof, p1-6.

(**) Term: **14 Years**

(Continued)

(21) Appl. No.: **29/460,037**

(22) Filed: **Jul. 8, 2013**

Primary Examiner — Deanna L Pratt
Assistant Examiner — Natasha Vujcic

(30) **Foreign Application Priority Data**

May 24, 2013 (JP) 2013-011380

(74) *Attorney, Agent, or Firm* — Jianq Chyun IP Office

(51) **LOC (10) Cl.** **26-03**

(52) **U.S. Cl.**
USPC **D26/72**

(58) **Field of Classification Search**
CPC F21S 2/00; F21S 4/00; F21S 4/003-4/008;
F21S 6/00; F21S 8/00; F21S 8/024-8/026;
F21S 8/031; F21S 8/033; F21S 8/035-8/037;
F21S 8/04-8/043; F21S 8/063
USPC D26/3, 24, 35, 39, 42, 71, 72, 75, 76,
D26/78, 79, 80, 81, 82, 83, 85, 88, 90, 118,
D26/119, 120, 121, 122, 138; 362/23.07,
362/23.09, 23.16, 217.01, 217.02, 217.05,
362/217.08, 217.09, 249.02, 260, 311.02,
362/555, 612, 614, 800
See application file for complete search history.

(57) **CLAIM**

The ornamental design for a lighting fixture, as shown and described.

DESCRIPTION

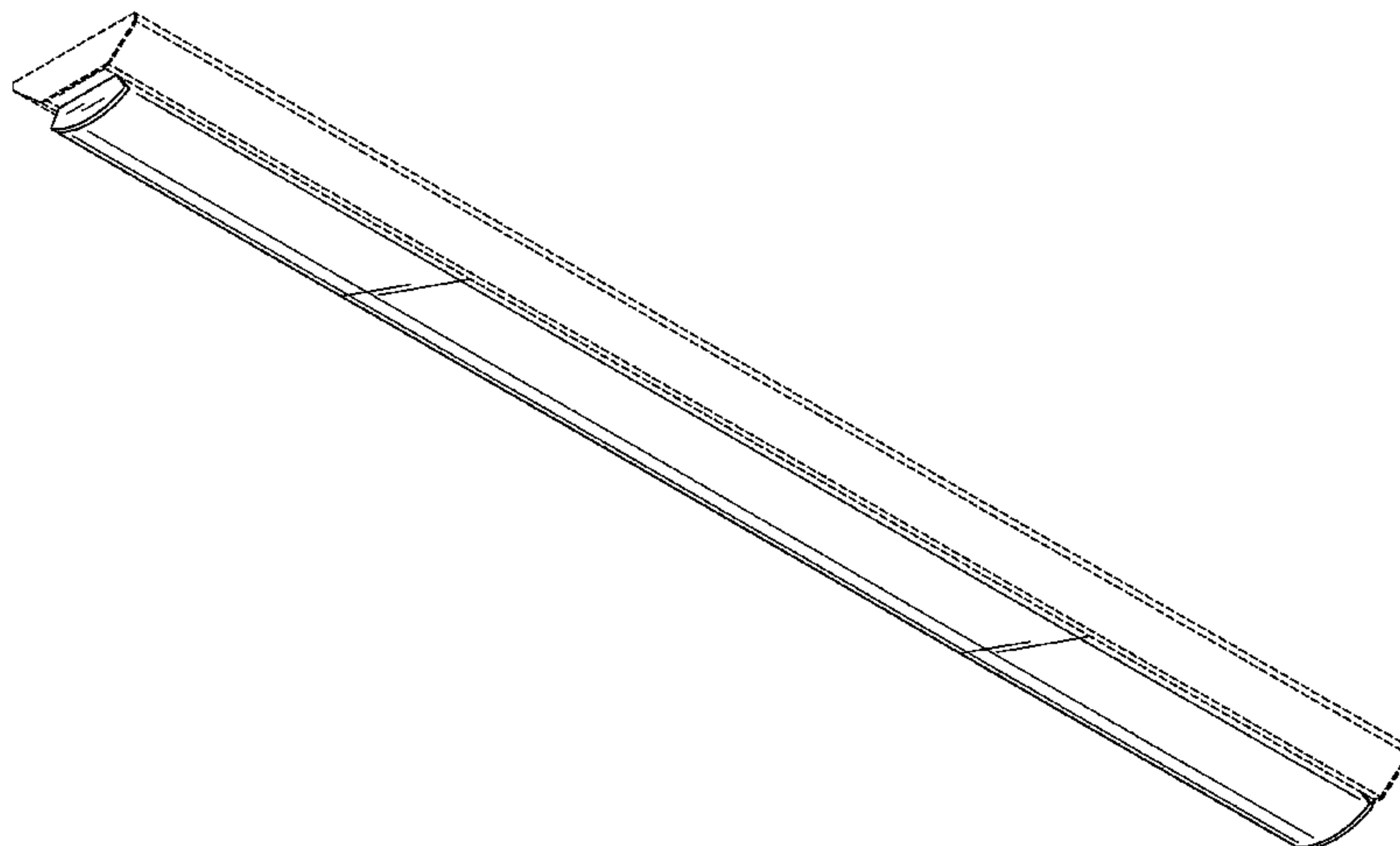
FIG. 1 is a perspective view of a lighting fixture showing our new design;
FIG. 2 is a front view thereof, the rear view being a mirror image of the front view;
FIG. 3 is a right side view thereof, the left side view being a mirror image of the right side view;
FIG. 4 is a top view thereof; and,
FIG. 5 is a bottom view thereof.
The broken lines in the drawings illustrate portions of the lighting fixture which form no part of the claimed design.

(56) **References Cited**

U.S. PATENT DOCUMENTS

D295,329 S * 4/1988 Roos et al. D26/75
D377,993 S * 2/1997 Herst et al. D26/107

1 Claim, 3 Drawing Sheets



(56)

References Cited

U.S. PATENT DOCUMENTS

D581,079 S * 11/2008 Mier-Langner D26/72
D606,229 S * 12/2009 Johansen et al. D26/80
D608,043 S * 1/2010 Ko D26/76
D642,725 S * 8/2011 Kong et al. D26/76
D647,241 S * 10/2011 Takahashi et al. D26/76
D649,673 S * 11/2011 Liang et al. D26/72
D663,065 S * 7/2012 Beghelli D26/76
D671,254 S * 11/2012 Miyatake et al. D26/75
D693,048 S * 11/2013 Ng et al. D26/89
D695,443 S * 12/2013 Kaule et al. D26/76

D695,942 S * 12/2013 Ng et al. D26/75
2011/0199767 A1 * 8/2011 Marquardt et al. 362/235
2013/0033858 A1 * 2/2013 Sugishita et al. 362/217.14

OTHER PUBLICATIONS

Toshiba Lighting & Technology Corporation, Pamphlet of “LED base light; AQ series” issued on May, 2013, with a partial English translation and explanation thereof, p1-3.
“Office Action of Japan Counterpart Application”, issued on Jan. 8, 2014, with English translation thereof, p. 1-p. 4.

* cited by examiner

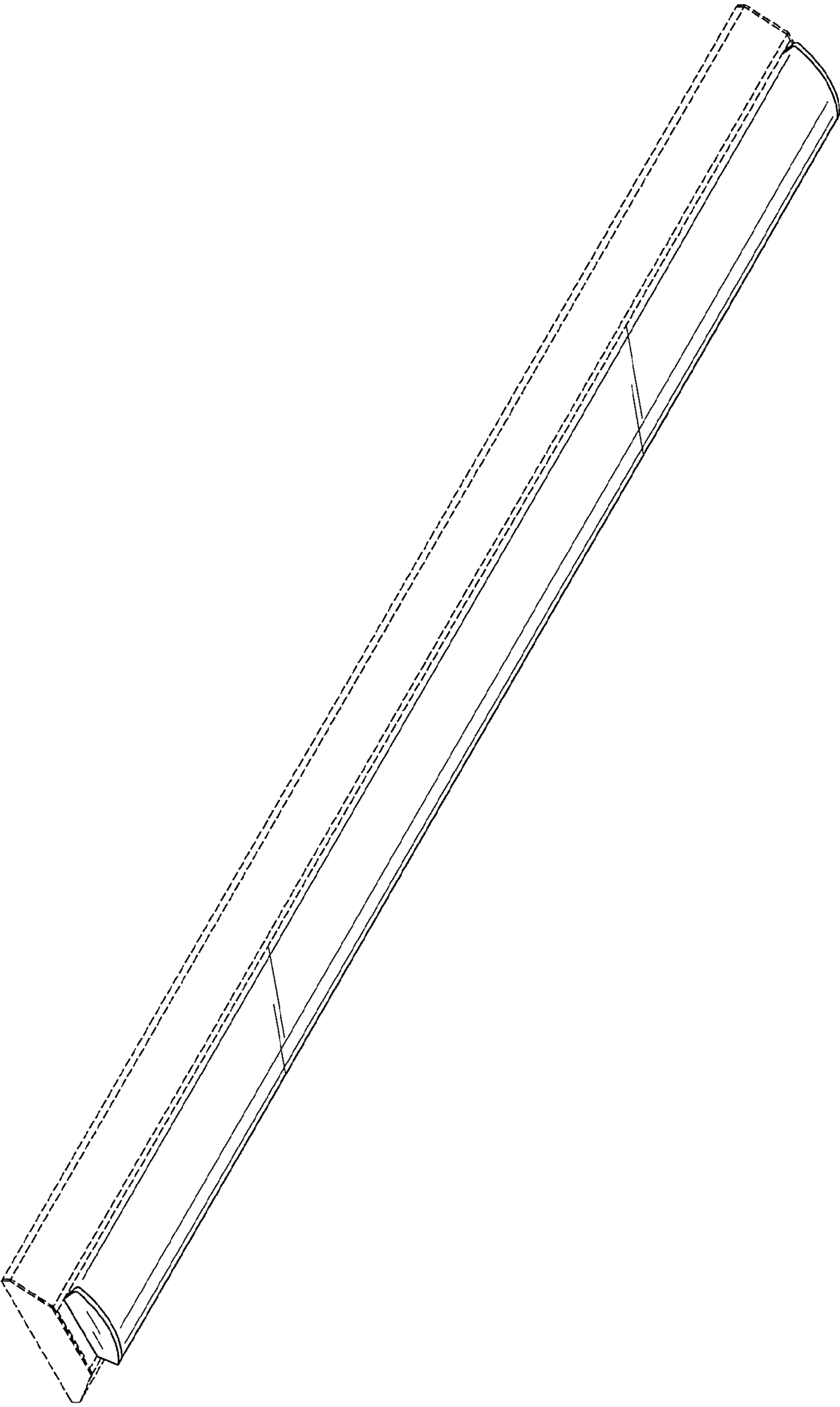


FIG. 1

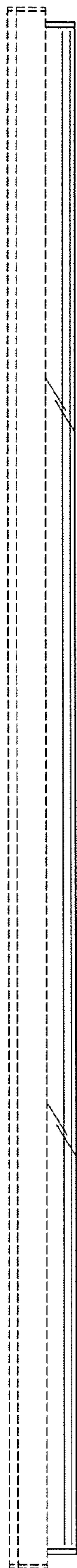


FIG. 2

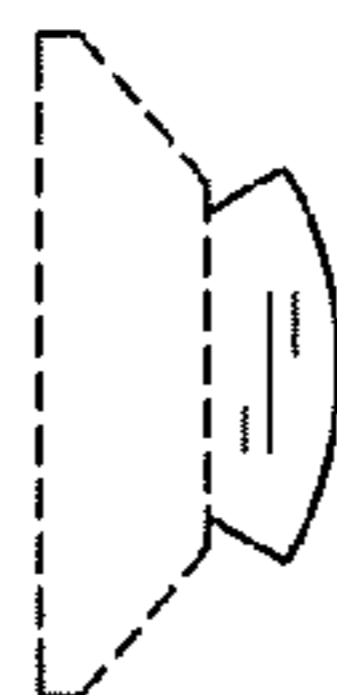


FIG. 3

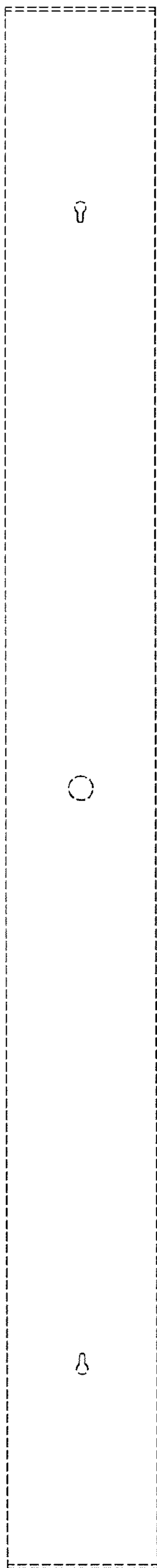


FIG. 4

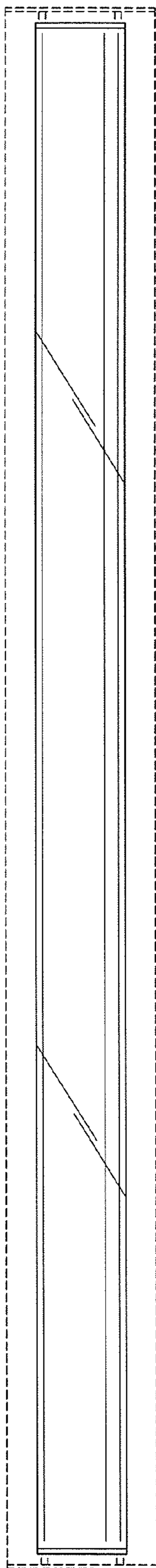


FIG. 5

UNITED STATES PATENT AND TRADEMARK OFFICE
CERTIFICATE OF CORRECTION

PATENT NO. : D712,081 S
APPLICATION NO. : 29/460037
DATED : August 26, 2014
INVENTOR(S) : Kazuyuki Murata et al.

Page 1 of 1

It is certified that error appears in the above-identified patent and that said Letters Patent is hereby corrected as shown below:

On the Title page of the patent grant, item (72) Inventors:

“Akimichi Takahashi, Yokosuka (JP)” changed to --Akimichi Takahashi, Kanagawa (JP)--.

“Jun Ooshima, Yokosuka (JP)” changed to --Jun Ooshima, Kanagawa (JP)--.

“Yasuhiro Sano, Yokosuka (JP)” changed to --Yasuhiro Sano, Kanagawa (JP)--.

Signed and Sealed this
Second Day of December, 2014



Michelle K. Lee
Deputy Director of the United States Patent and Trademark Office