



US00D712080S

(12) **United States Design Patent**
Trude et al.

(10) **Patent No.:** **US D712,080 S**

(45) **Date of Patent:** **** Aug. 26, 2014**

(54) **FLASHLIGHT**

(71) Applicant: **Koehler-Bright Star LLC**, Hanover Township, PA (US)

(72) Inventors: **Greg Trude**, Clarks Summit, PA (US);
Jeef Kesling, Clarks Summit, PA (US)

(73) Assignee: **Koehler-Bright Star LLC**, Hanover Township, PA (US)

(**) Term: **14 Years**

(21) Appl. No.: **29/452,713**

(22) Filed: **Apr. 19, 2013**

(51) **LOC (10) Cl.** **26-02**

(52) **U.S. Cl.**
USPC **D26/37**

(58) **Field of Classification Search**
USPC D26/37, 38, 40, 41, 44, 45, 46, 49;
362/157, 158, 183, 184, 171-174,
362/194-196, 200-208

See application file for complete search history.

(56) **References Cited**

U.S. PATENT DOCUMENTS

D375,570 S *	11/1996	Hayakawa et al.	D26/44
D410,557 S *	6/1999	Petterson et al.	D26/44
D445,925 S *	7/2001	Parker	D26/37
D590,971 S *	4/2009	Spartano et al.	D26/44
D596,772 S *	7/2009	Chang	D26/49
D604,876 S *	11/2009	Chadwick	D26/44

D605,795 S *	12/2009	Baker et al.	D26/44
D620,161 S *	7/2010	Kang et al.	D26/45
D623,323 S *	9/2010	Kung	D26/45
D651,334 S *	12/2011	Yuen	D26/50
8,075,156 B2 *	12/2011	Steele et al.	362/191
D676,992 S *	2/2013	Trude	D26/39
D681,246 S *	4/2013	Keeley et al.	D26/44
D683,490 S *	5/2013	Lee	D26/45
D685,940 S *	7/2013	Lee	D26/49
D700,384 S *	2/2014	Lee	D26/45
2003/0151914 A1 *	8/2003	Kish et al.	362/183

* cited by examiner

Primary Examiner — Ian Simmons

Assistant Examiner — Carissa C Fitts

(74) *Attorney, Agent, or Firm* — DLA Piper LLP US; R. Blake Johnston

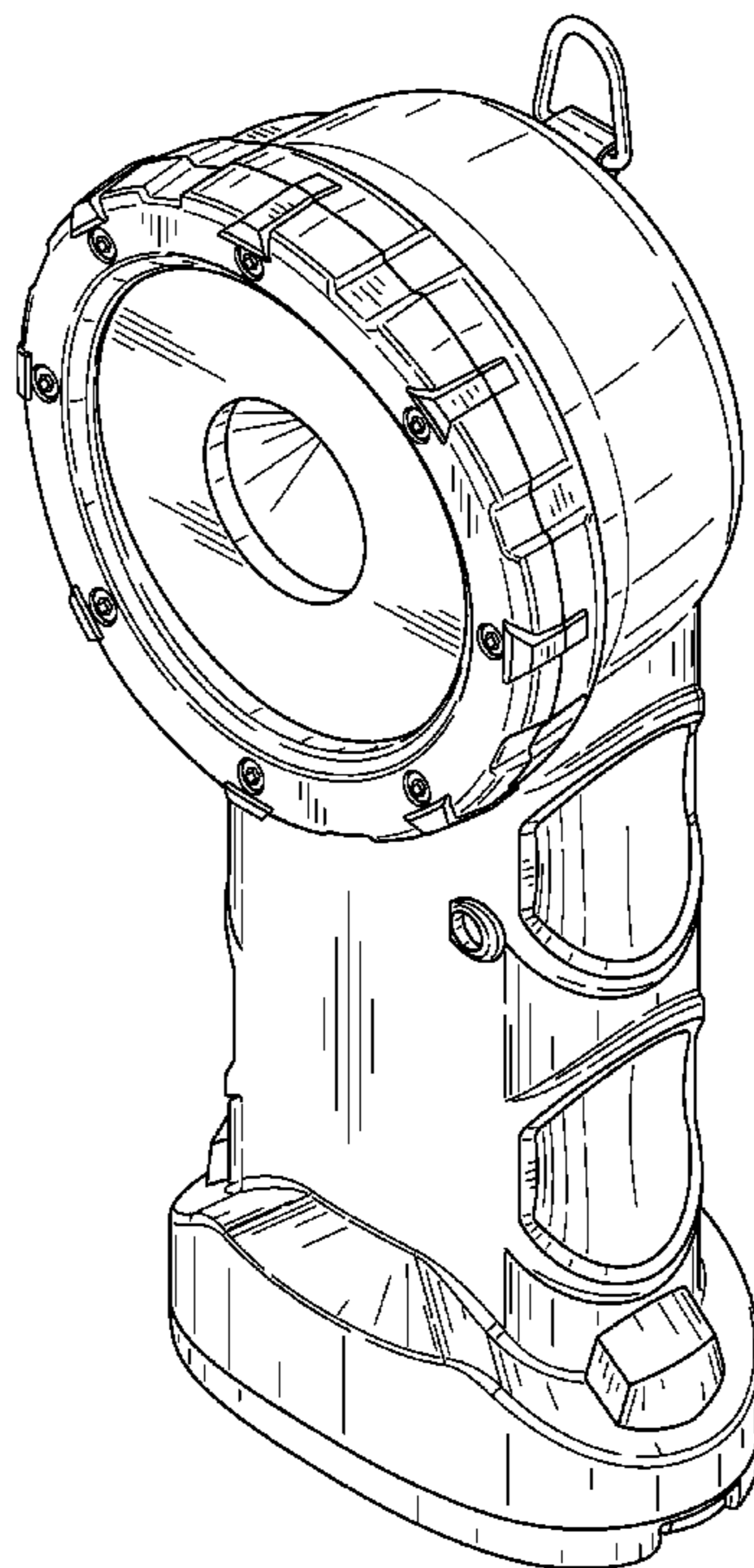
(57) **CLAIM**

The ornamental design for a flashlight, as shown and described.

DESCRIPTION

FIG. 1 is a first perspective view of the flashlight; FIG. 2 is a front elevational view of the flashlight; FIG. 3 is a rear elevational view of the flashlight; FIG. 4 is a left side elevational view of the flashlight; FIG. 5 is a right side elevational view of the flashlight; FIG. 6 is a top plan view of the flashlight; FIG. 7 is a bottom plan view of the flashlight; and, FIG. 8 is a second perspective view of the flashlight.

1 Claim, 8 Drawing Sheets



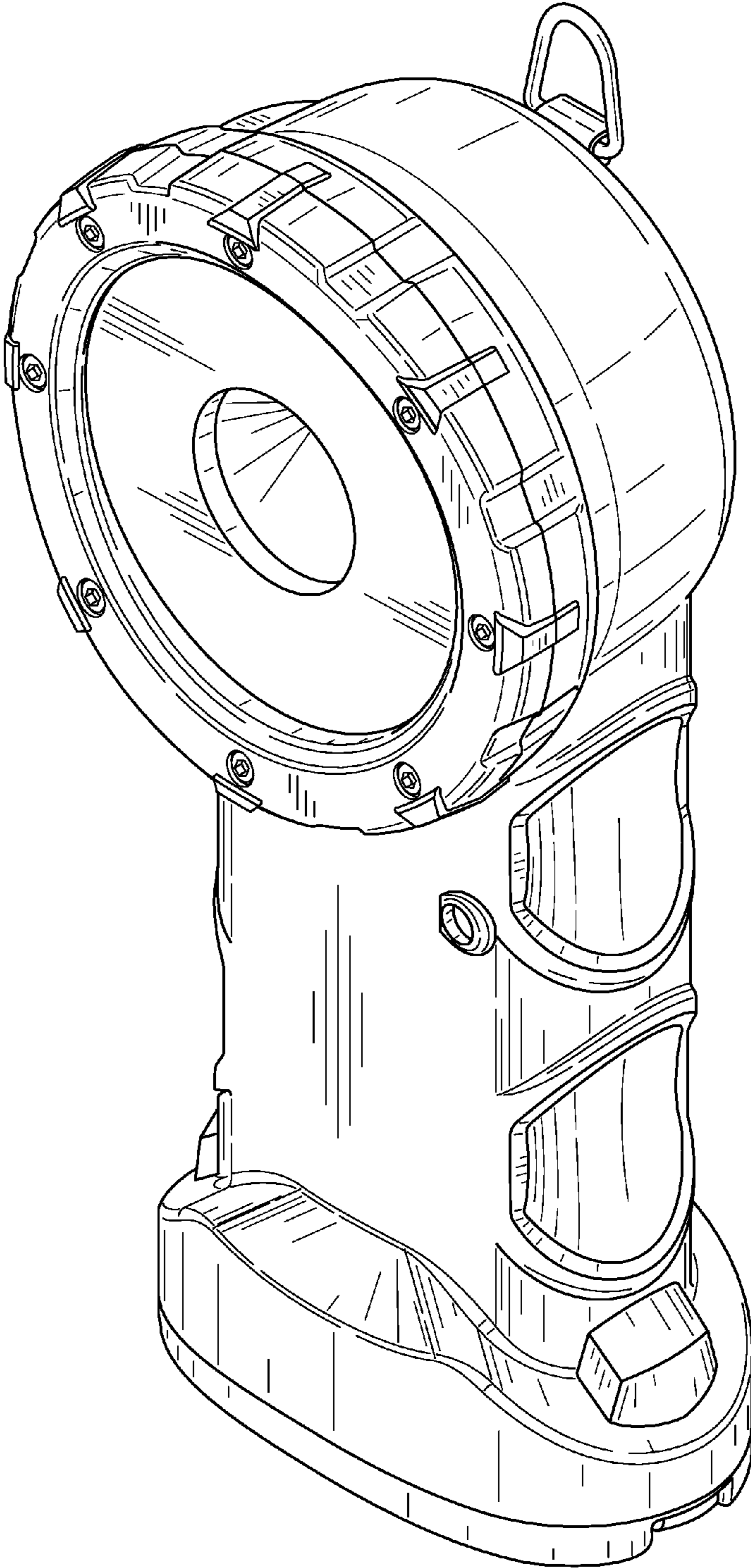


FIG. 1

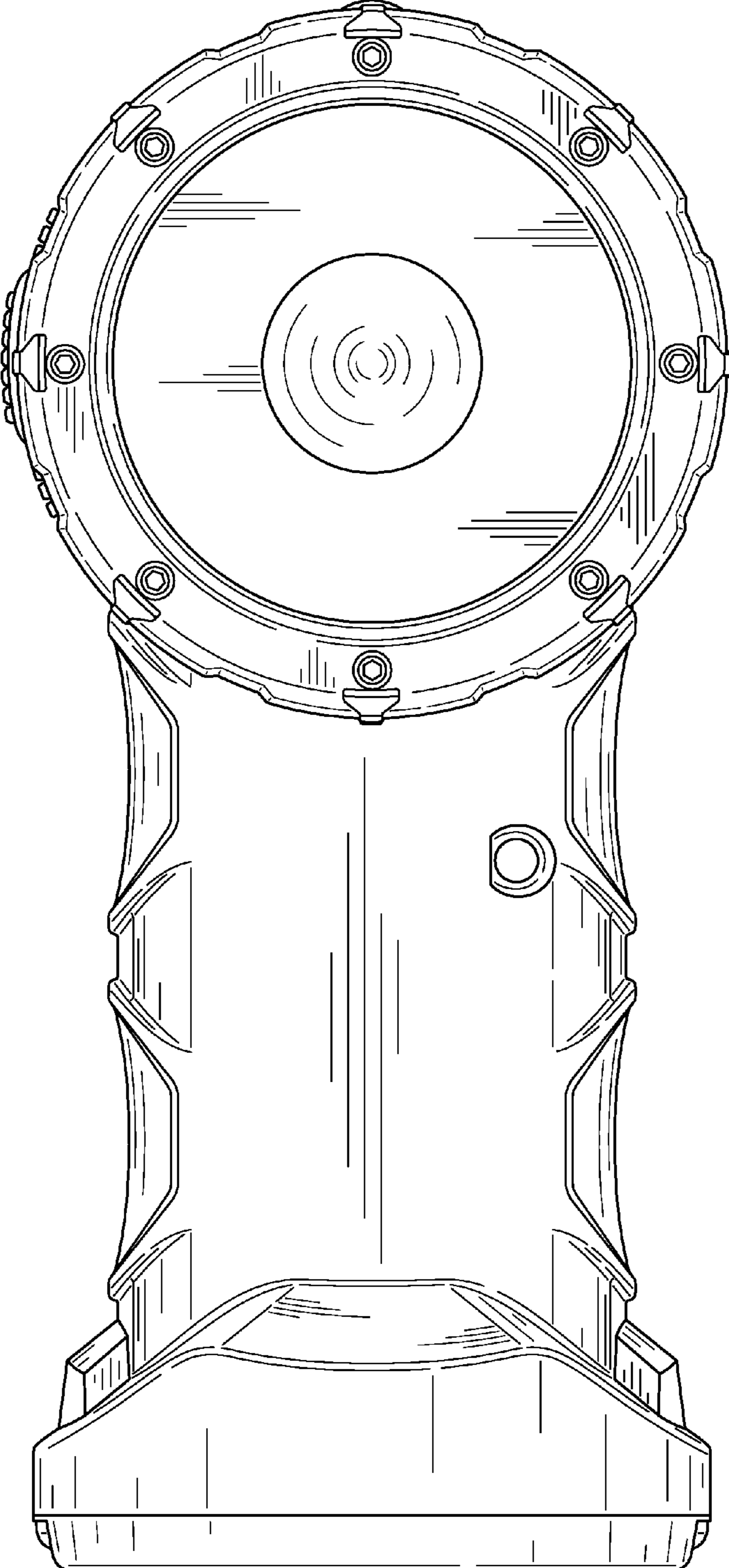


FIG. 2

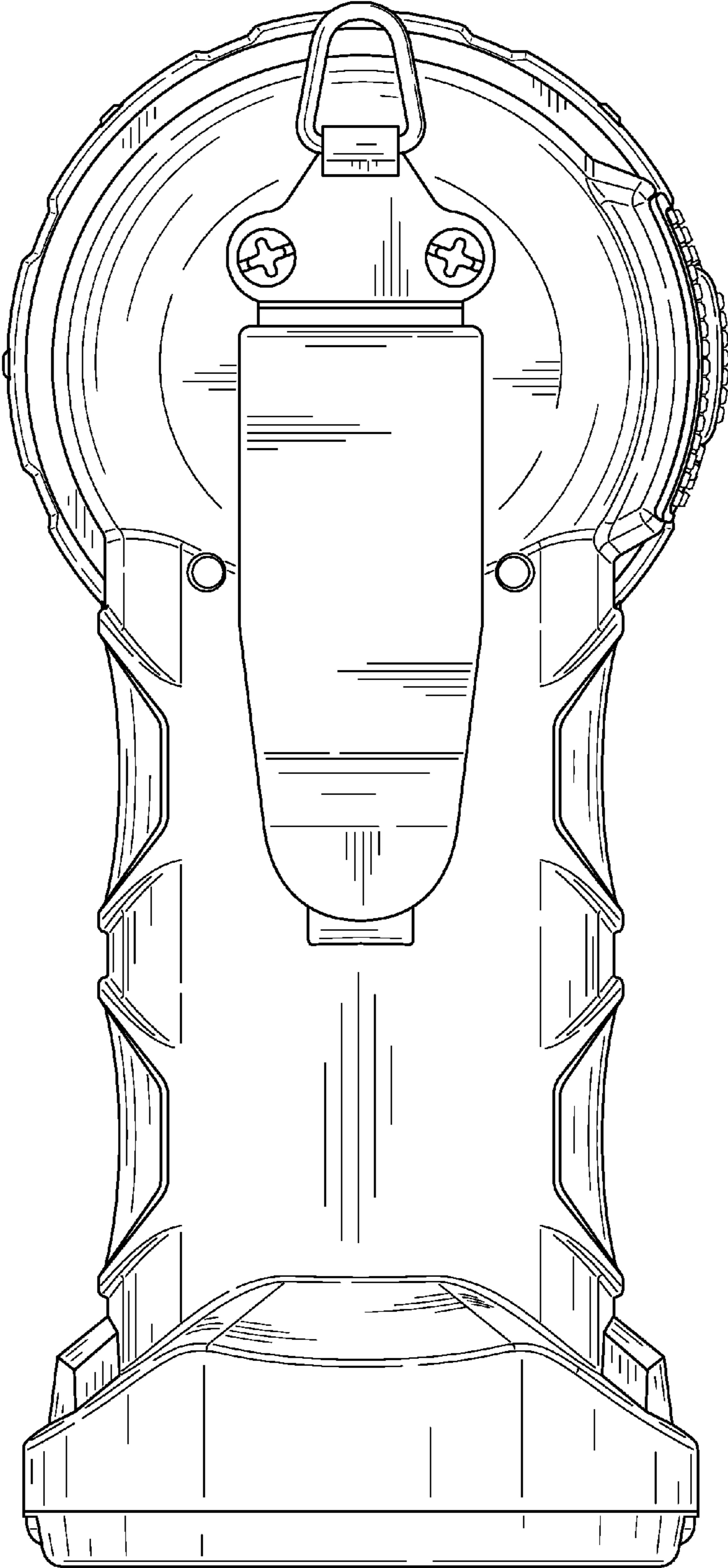


FIG. 3

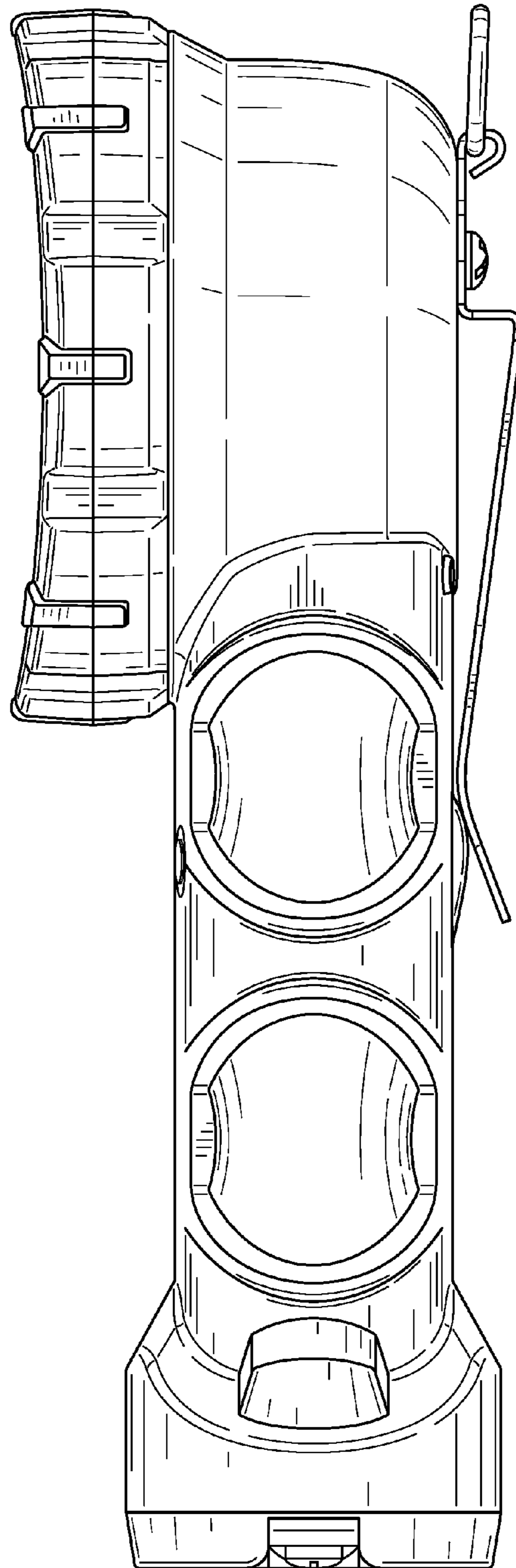


FIG. 4

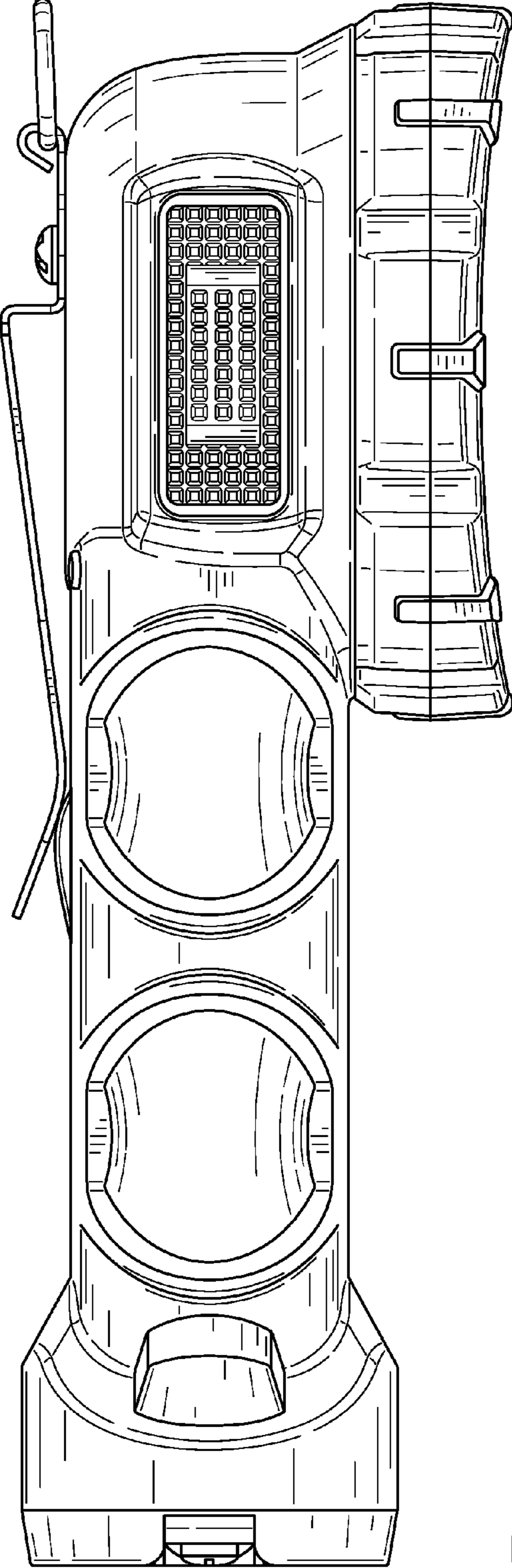


FIG. 5

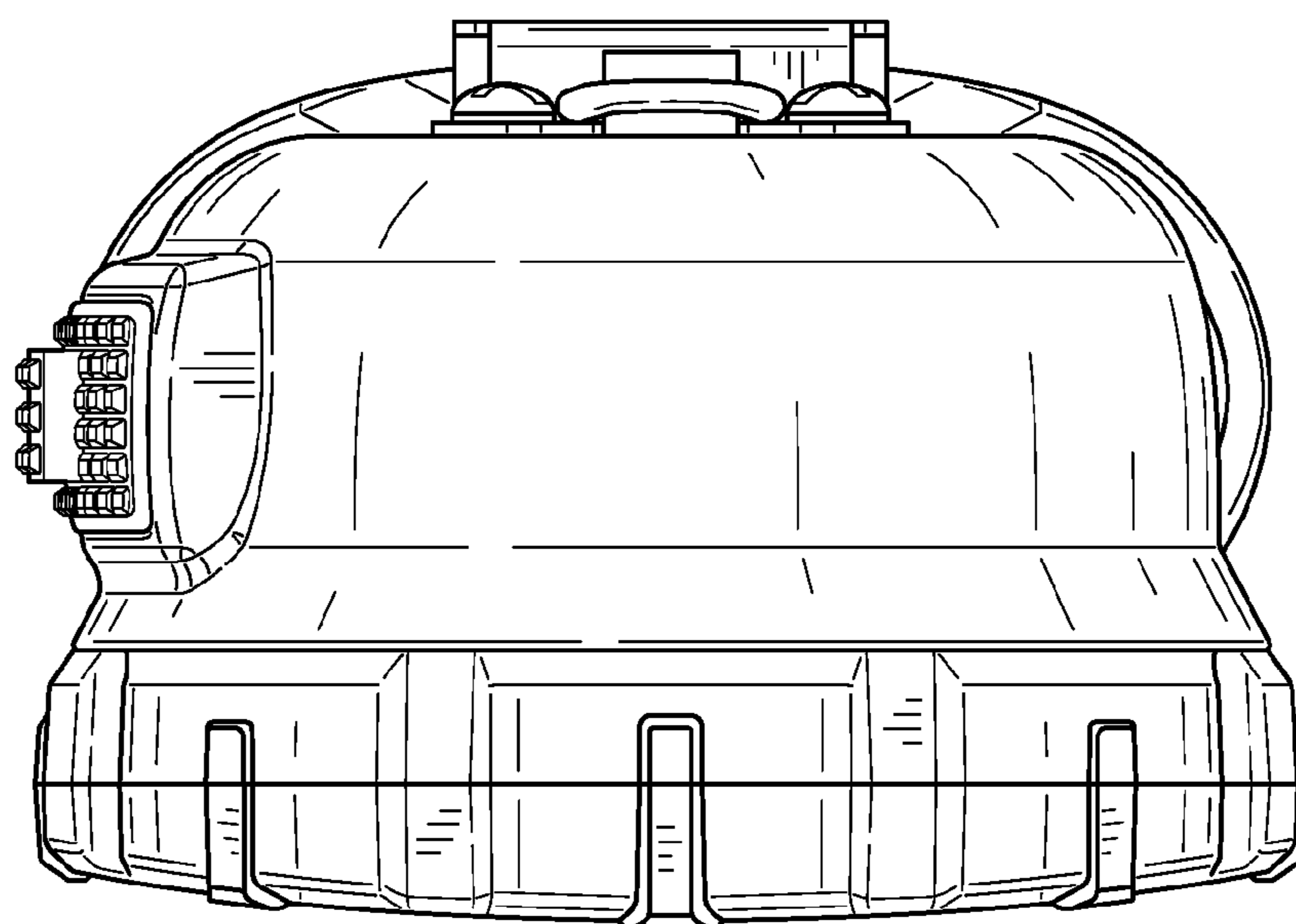


FIG. 6

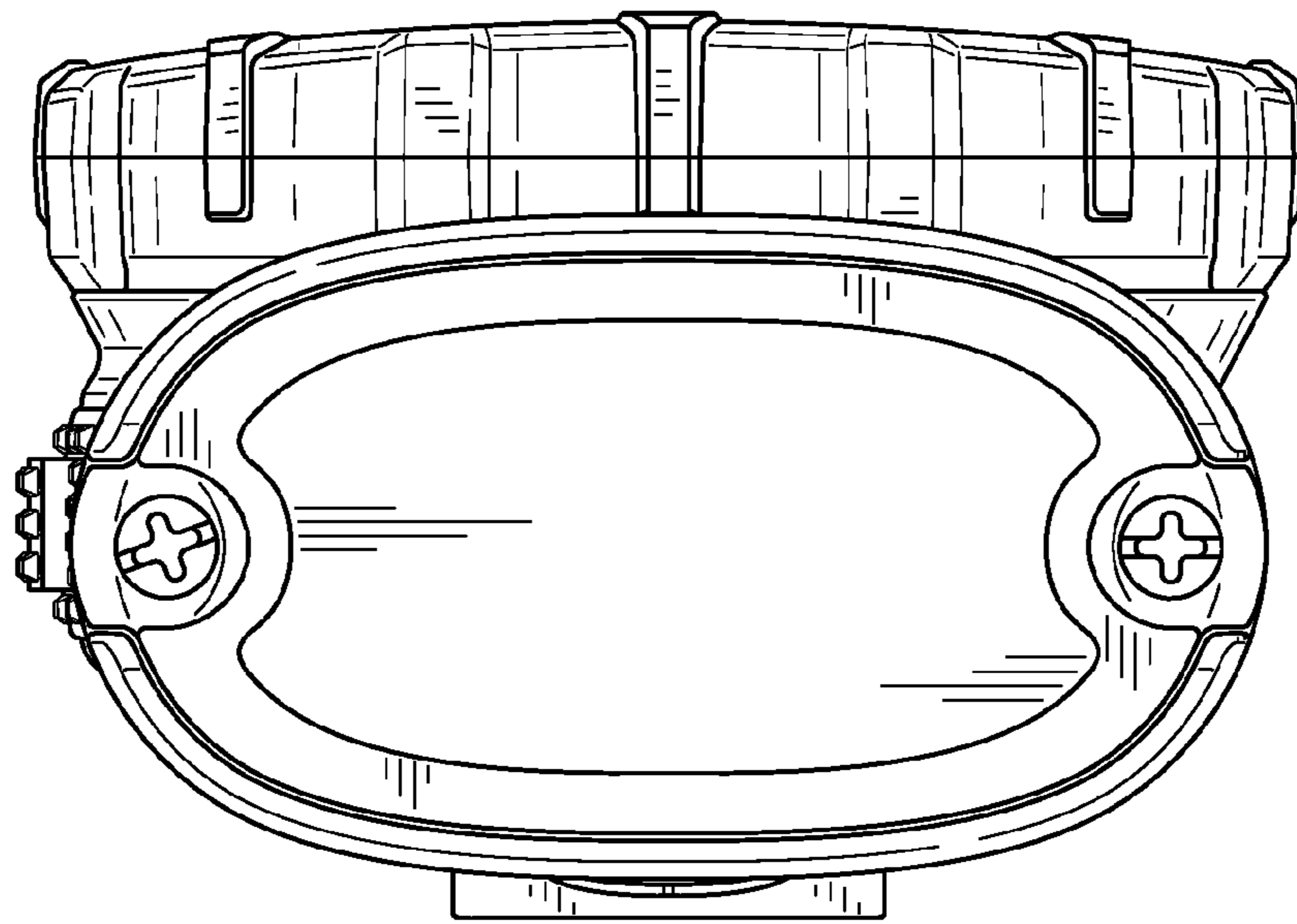


FIG. 7

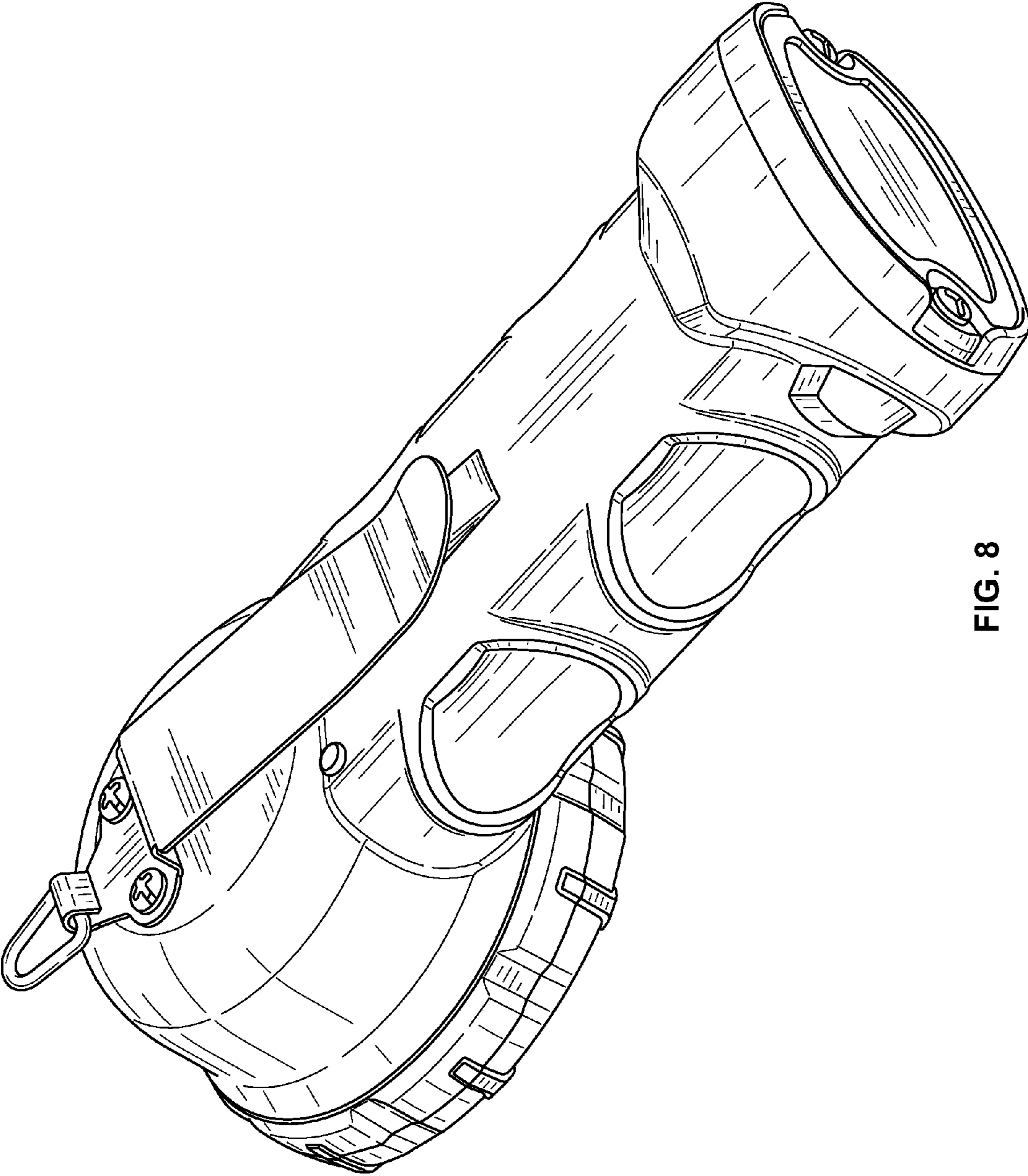


FIG. 8

UNITED STATES PATENT AND TRADEMARK OFFICE
CERTIFICATE OF CORRECTION

PATENT NO. : D712,080 S
APPLICATION NO. : 29/452713
DATED : August 26, 2014
INVENTOR(S) : Greg Trude et al.

Page 1 of 1

It is certified that error appears in the above-identified patent and that said Letters Patent is hereby corrected as shown below:

On the Title Page,

Item (72), amend co-inventor's name from "Jeef Kesling" to "Jeff Keisling".

Signed and Sealed this
Eighteenth Day of November, 2014



Michelle K. Lee
Deputy Director of the United States Patent and Trademark Office