



US00D712079S

(12) **United States Design Patent**
DiPenti et al.

(10) **Patent No.:** **US D712,079 S**

(45) **Date of Patent:** **** Aug. 26, 2014**

(54) **LED HEADLAMP**

(71) Applicant: **Truck-Lite Co., LLC**, Falconer, NY (US)

(72) Inventors: **Timothy DiPenti**, Russell, PA (US); **Michael Marley**, Erie, PA (US); **Todd Kolstee**, North Clymer, NY (US); **Ryan Smith**, Lakewood, NY (US)

(73) Assignee: **Truck-Lite Co., LLC**, Falconer, NY (US)

(**) Term: **14 Years**

(21) Appl. No.: **29/473,986**

(22) Filed: **Nov. 27, 2013**

Related U.S. Application Data

(63) Continuation of application No. 13/024,320, filed on Feb. 9, 2011.

(51) **LOC (10) Cl.** **26-06**

(52) **U.S. Cl.**
USPC **D26/28**

(58) **Field of Classification Search**
USPC D26/28-36; 362/459-468, 475-478, 362/485-487

See application file for complete search history.

(56) **References Cited**

U.S. PATENT DOCUMENTS

D304,621 S	11/1989	Schmidt
D304,622 S	11/1989	Schmidt
D407,169 S	3/1999	Otto
D485,625 S	1/2004	Egly
D518,195 S	3/2006	O'Connell
D525,731 S	7/2006	Hovind
D530,840 S	10/2006	Lin
D554,279 S	10/2007	Jeffries
D564,683 S	3/2008	Roach

D586,486 S	2/2009	DiPenti	
D601,727 S	* 10/2009	Huang	D26/28
D603,073 S	10/2009	Muraille	
D605,789 S	* 12/2009	Ko	D26/28
D608,498 S	1/2010	Beigel	
D617,017 S	6/2010	Grebert	
D626,670 S	* 11/2010	Metzger et al.	D26/28
D627,496 S	11/2010	Feinbloom	
D657,081 S	* 4/2012	Alisaukas et al.	D26/28
D670,839 S	* 11/2012	Smarslik	D26/28

* cited by examiner

Primary Examiner — Marcus Jackson

(74) *Attorney, Agent, or Firm* — The Bilicki Law Firm, P.C.; Carl A. Hjort, III

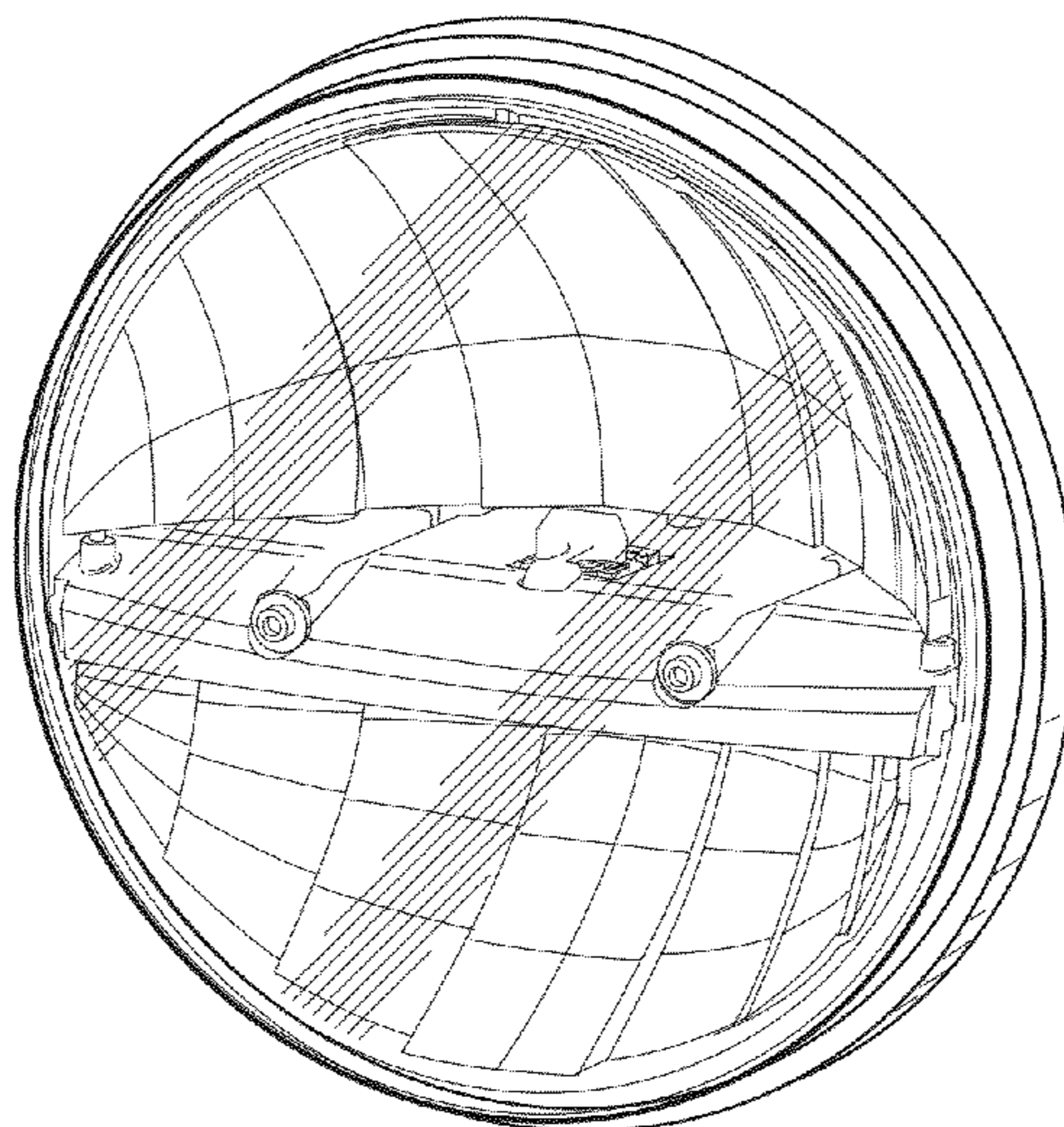
(57) **CLAIM**

The ornamental design for an LED headlamp, as shown and described.

DESCRIPTION

FIG. 1 is a front perspective view of an LED headlamp;
 FIG. 2 is a perspective view of a top surface of a heat sink structure included in the LED headlamp;
 FIG. 3 is a perspective view of a bottom surface of the heat sink structure;
 FIG. 4 is a front perspective view of an upper reflector included in the LED headlamp;
 FIG. 5 is a rear perspective view of a lower reflector included in the LED headlamp;
 FIG. 6 is a front perspective view of the assembly of the heat sink structure with the upper and lower reflectors that are included in the LED headlamp;
 FIG. 7 is a rear perspective view of the assembly of the heat sink structure with the upper and lower reflectors that are included in the LED headlamp;
 FIG. 8 is an exploded view of the of the assembly of the heat sink structure with the upper and lower reflectors and the housing of the LED headlamp; and,
 FIG. 9 is a rear perspective view of the LED headlamp.

1 Claim, 6 Drawing Sheets



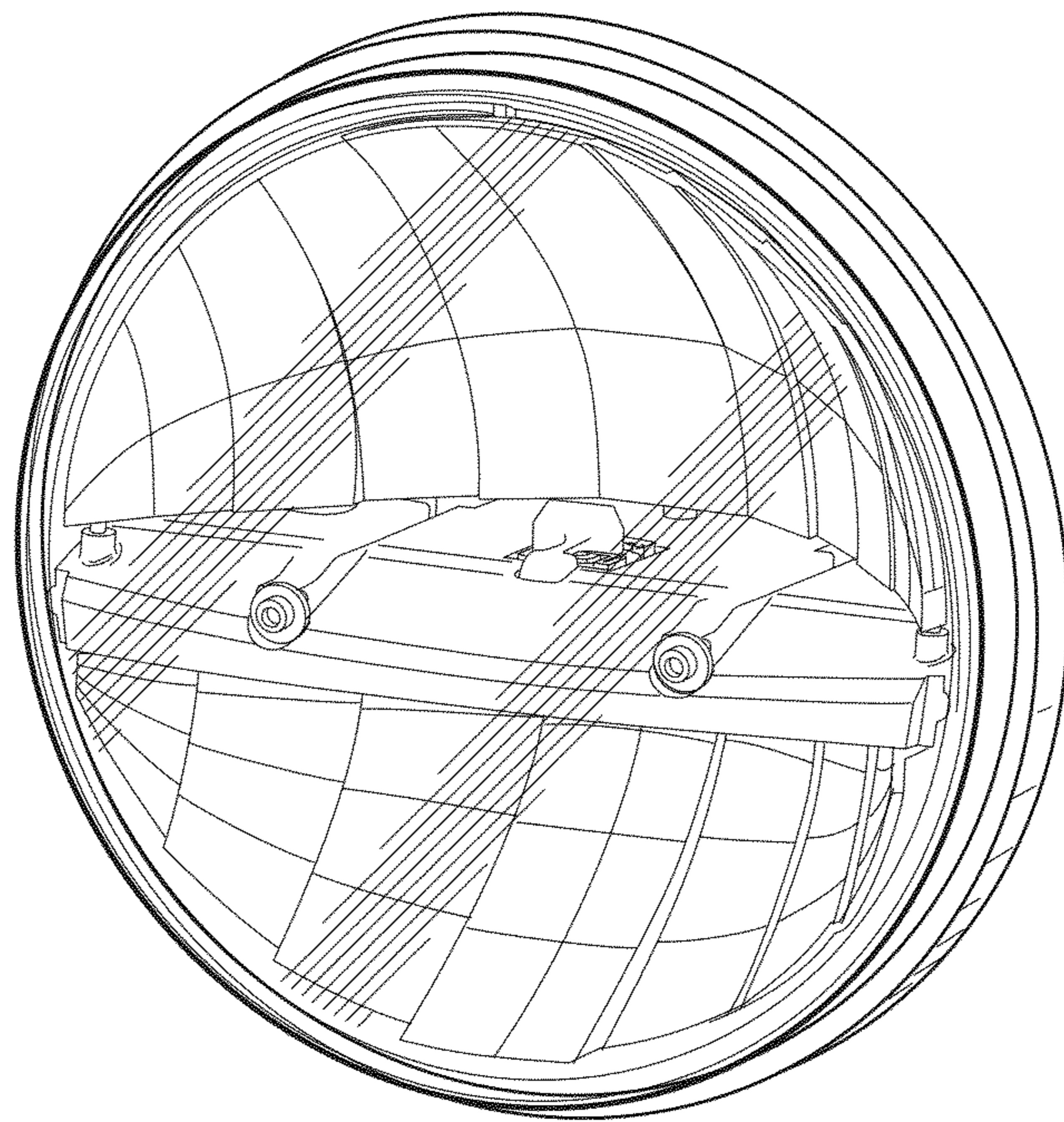


FIG. 1

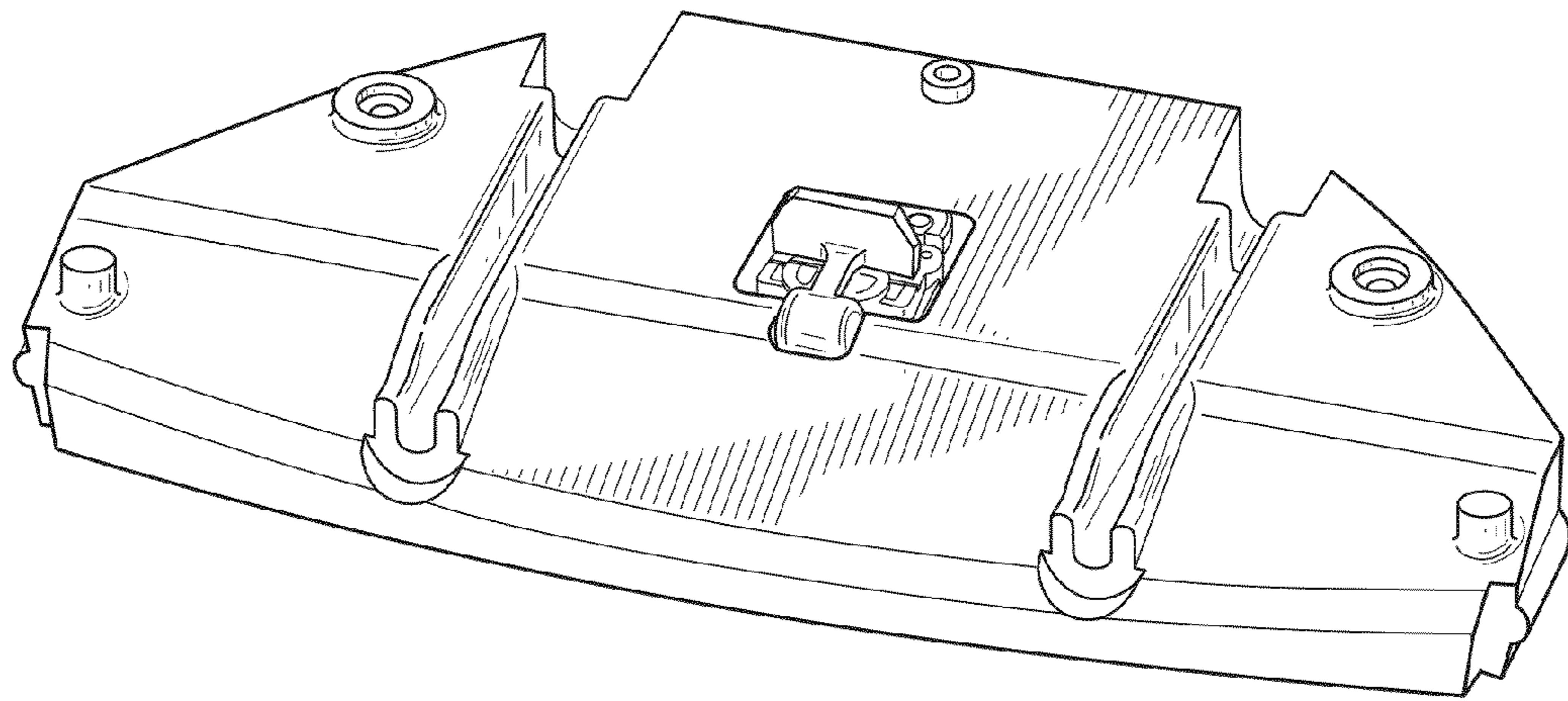


FIG. 2

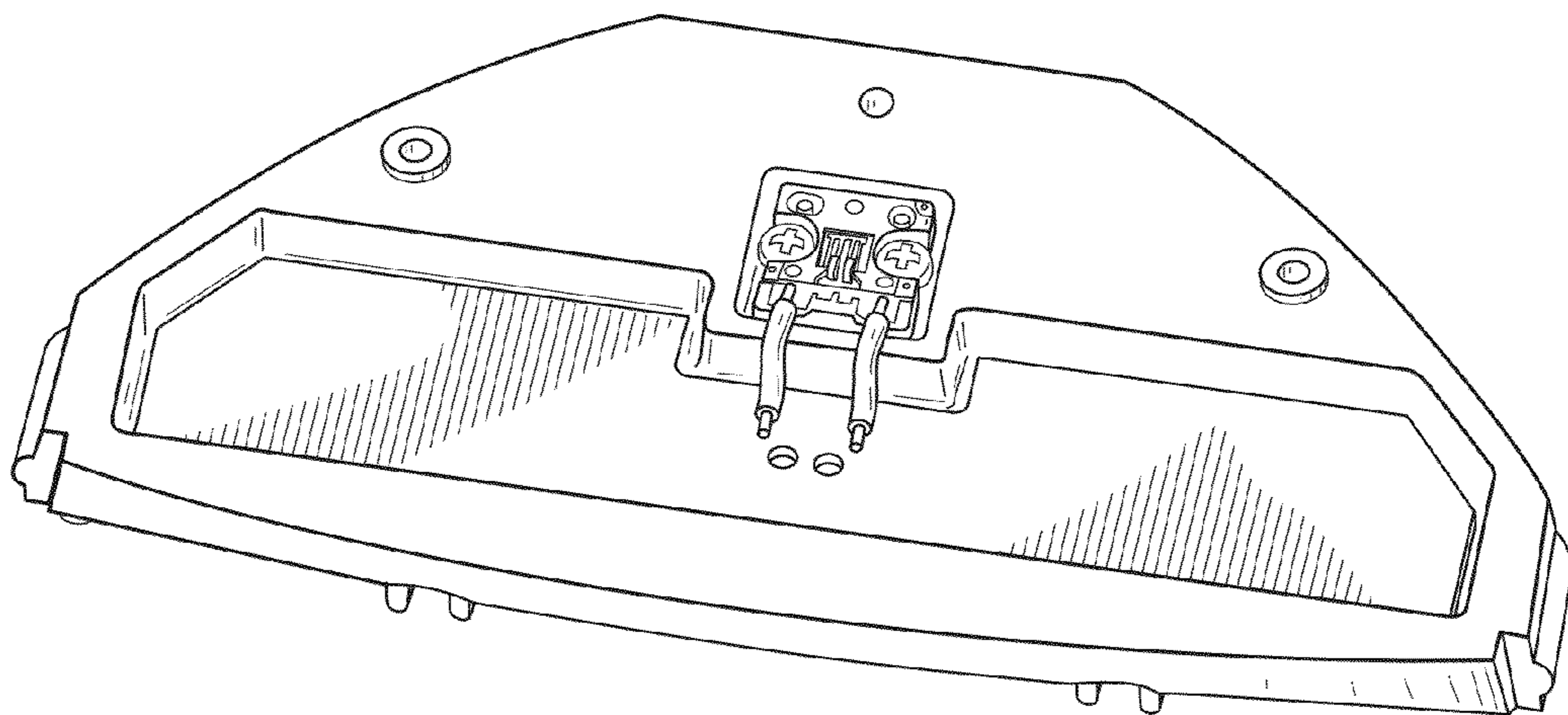


FIG. 3

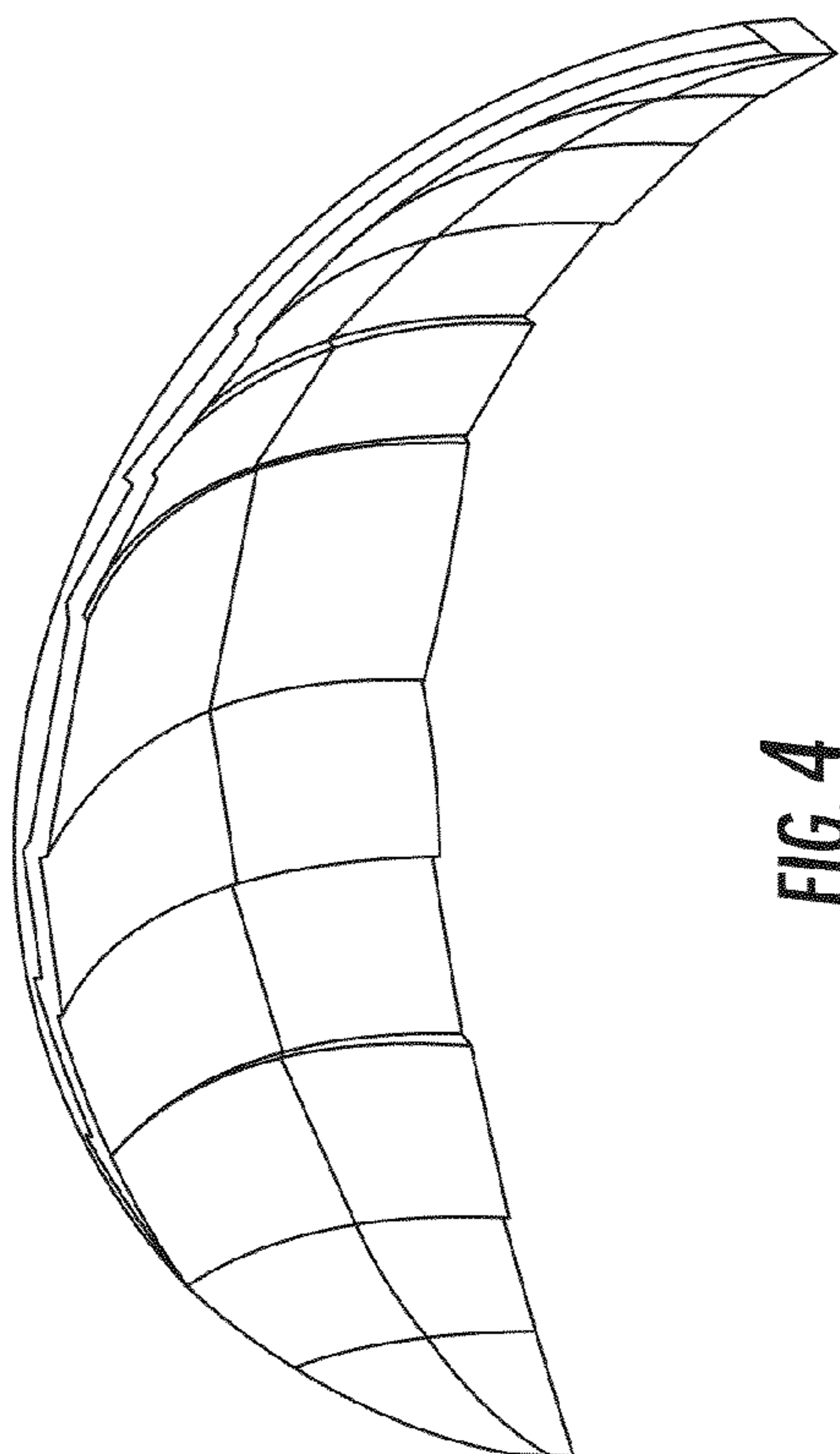


FIG. 4

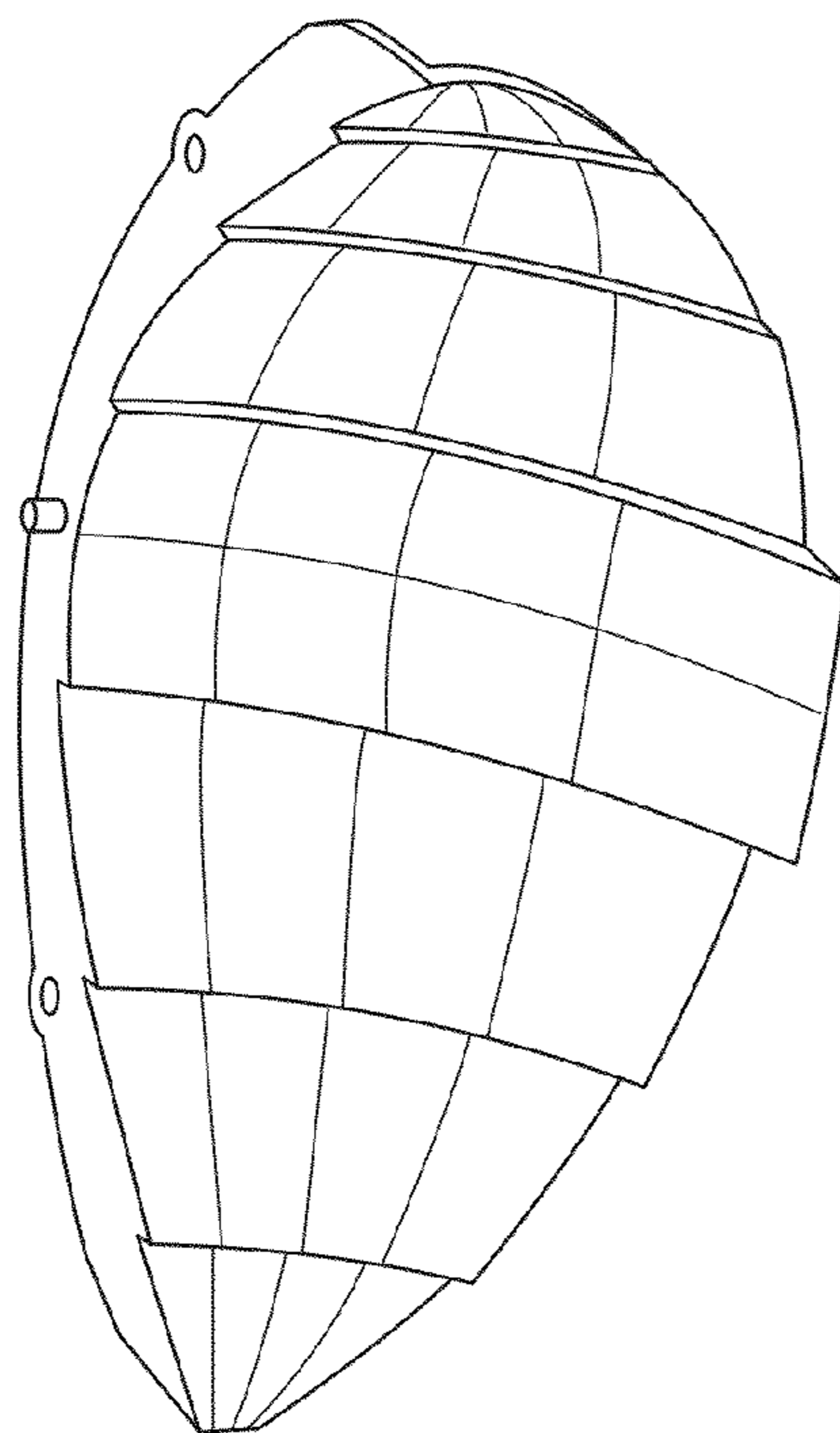


FIG. 5

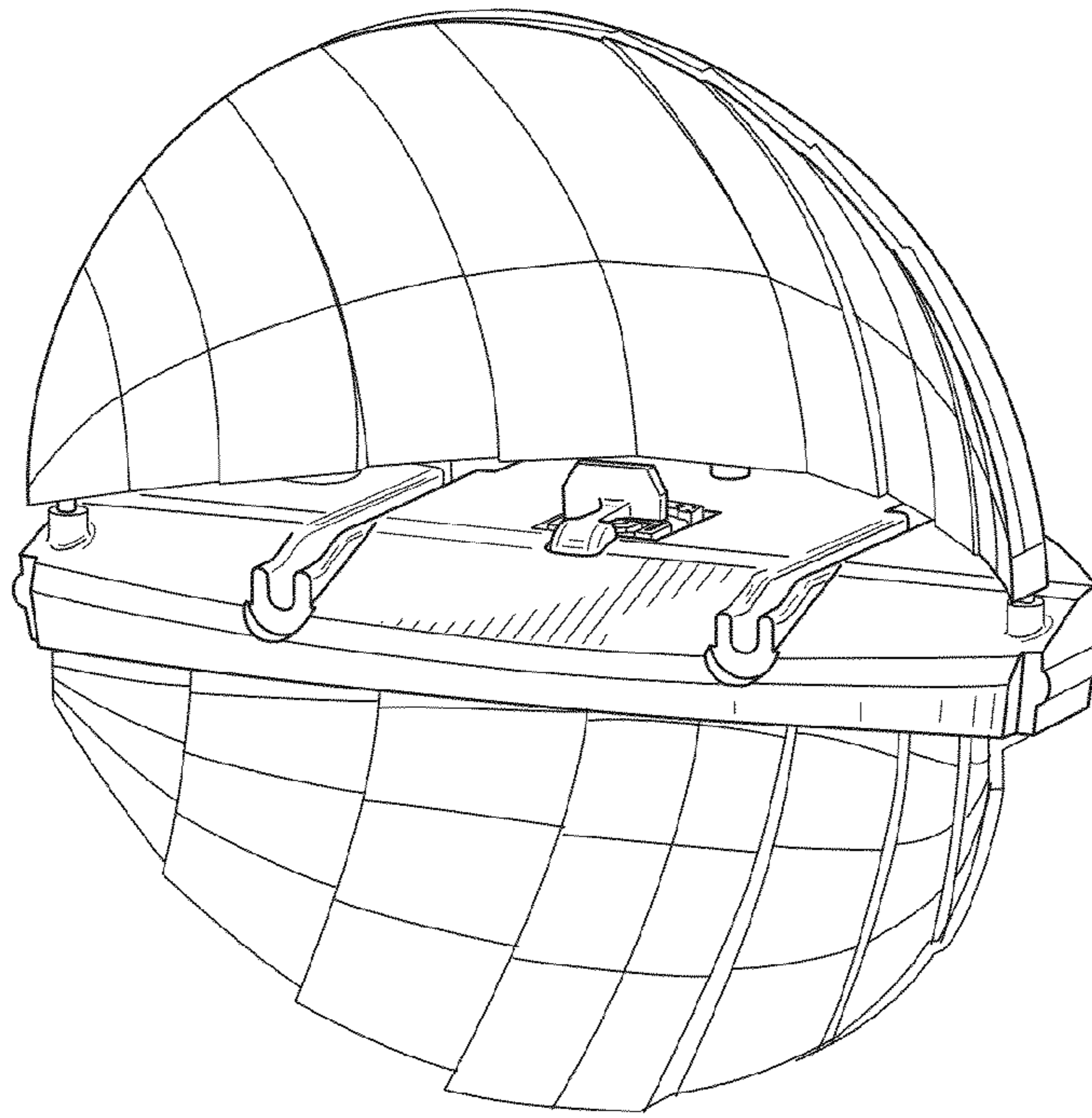


FIG. 6

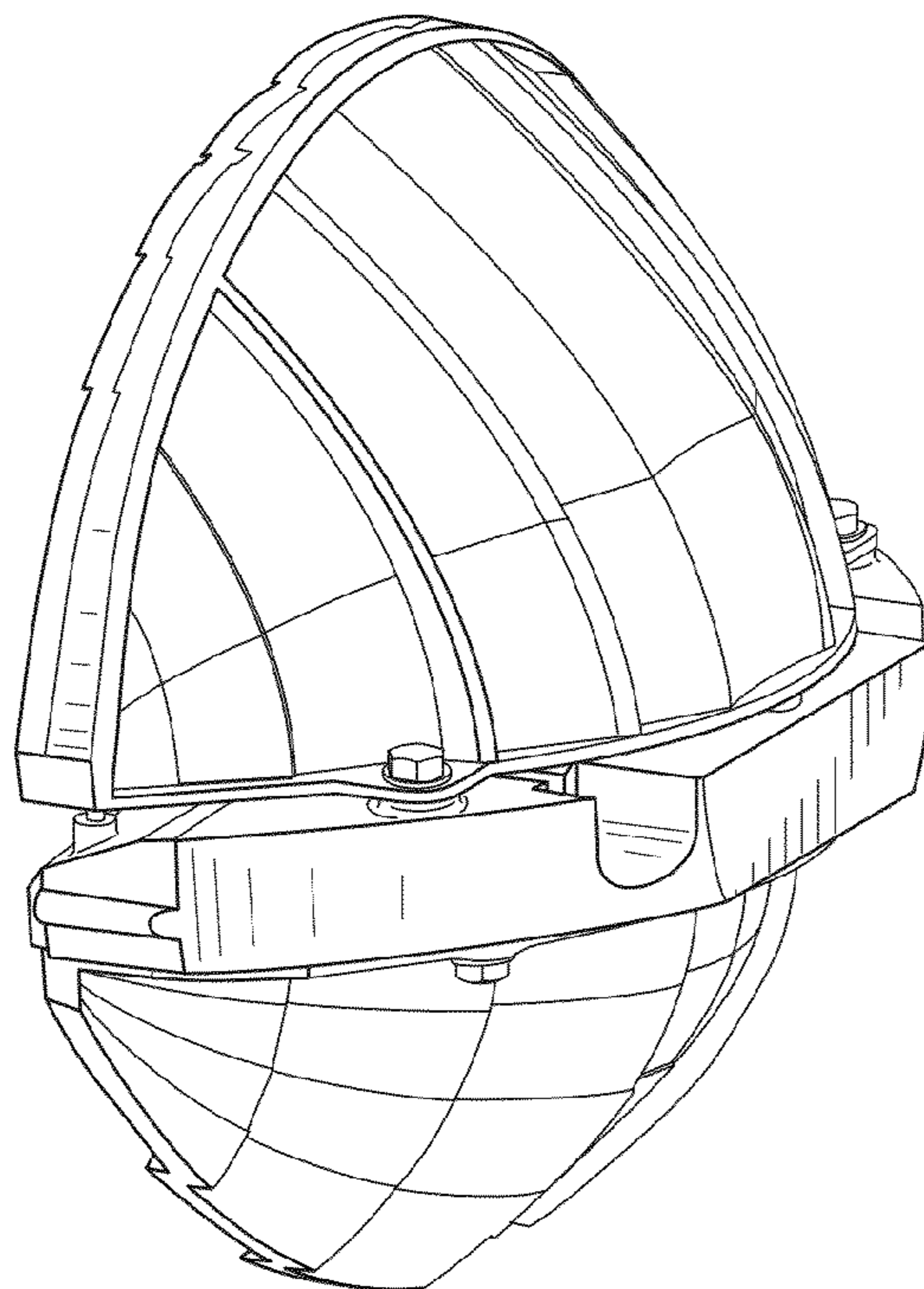


FIG. 7

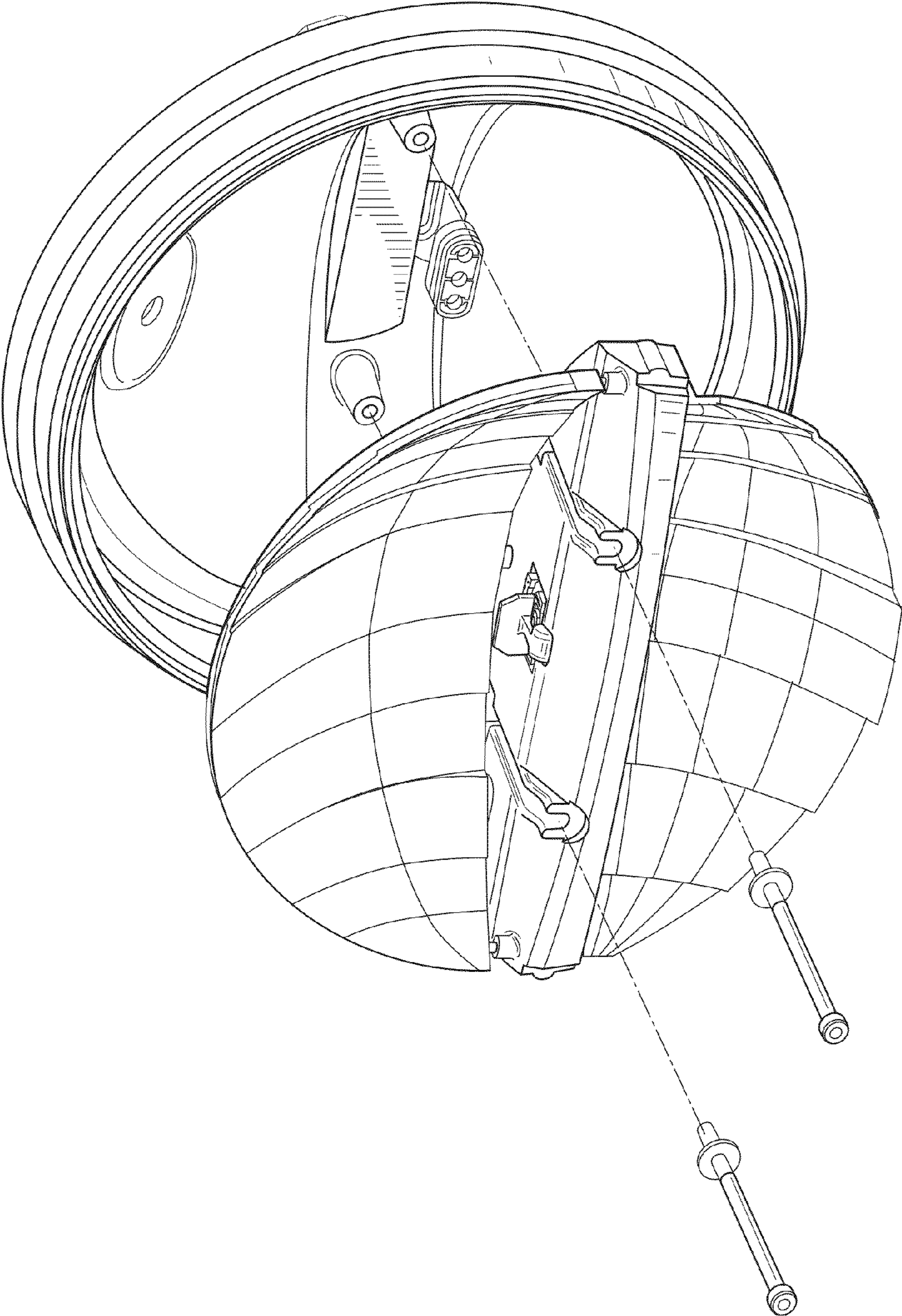


FIG. 8

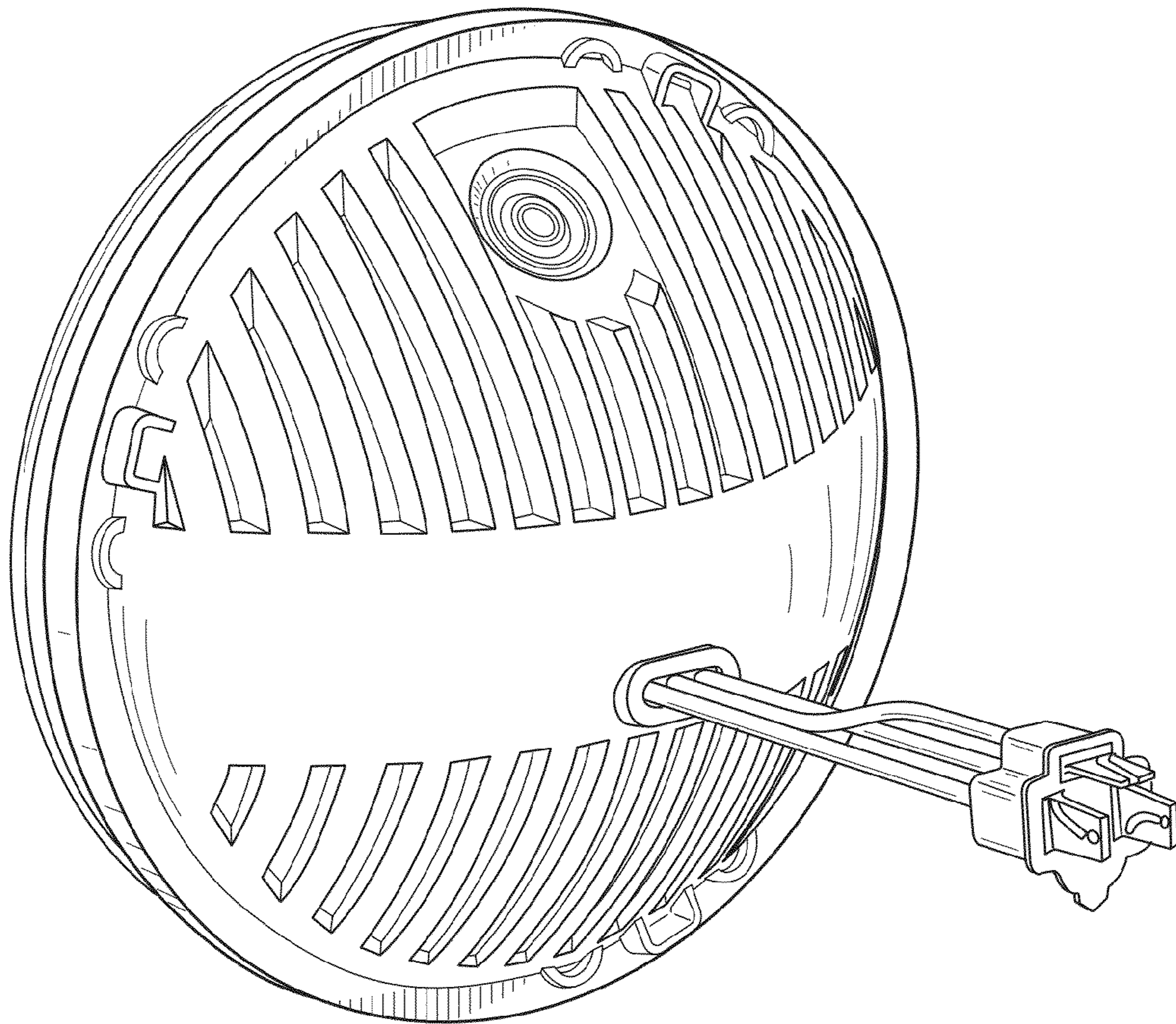


FIG. 9