



US00D712076S

(12) **United States Design Patent**
Haumann

(10) **Patent No.:** **US D712,076 S**

(45) **Date of Patent:** **** Aug. 26, 2014**

(54) **HEADLIGHT**

(75) Inventor: **Rainer Haumann**, Neu-Anspach (DE)

(73) Assignee: **PROPLAST Fahrzeugbeleuchtung GmbH** (DE)

(**) Term: **14 Years**

(21) Appl. No.: **29/429,184**

(22) Filed: **Aug. 8, 2012**

(51) **LOC (10) Cl.** **26-06**

(52) **U.S. Cl.**
USPC **D26/28**

(58) **Field of Classification Search**
USPC D26/28-36; 362/459-468, 475-478,
362/485-487
See application file for complete search history.

(56) **References Cited**

U.S. PATENT DOCUMENTS

D490,172 S * 5/2004 Yamamoto D26/28
D544,110 S * 6/2007 Hooker et al. D26/2

D554,279 S * 10/2007 Jeffries D26/28
D570,009 S * 5/2008 Kani et al. D26/28
D574,978 S * 8/2008 Hyodo et al. D26/28
D585,575 S * 1/2009 Crispin et al. D26/28
D605,789 S * 12/2009 Ko D26/28
D688,400 S * 8/2013 Haumann D26/28

* cited by examiner

Primary Examiner — Marcus Jackson

(74) *Attorney, Agent, or Firm* — Kaplan Breyer Schwarz & Ottesen, LLP

(57) **CLAIM**

The ornamental design for a headlight, as shown.

DESCRIPTION

FIG. 1 is a perspective view of a headlight, showing my new design.

FIG. 2 is a front elevational view thereof;

FIG. 3 is a rear elevational view thereof;

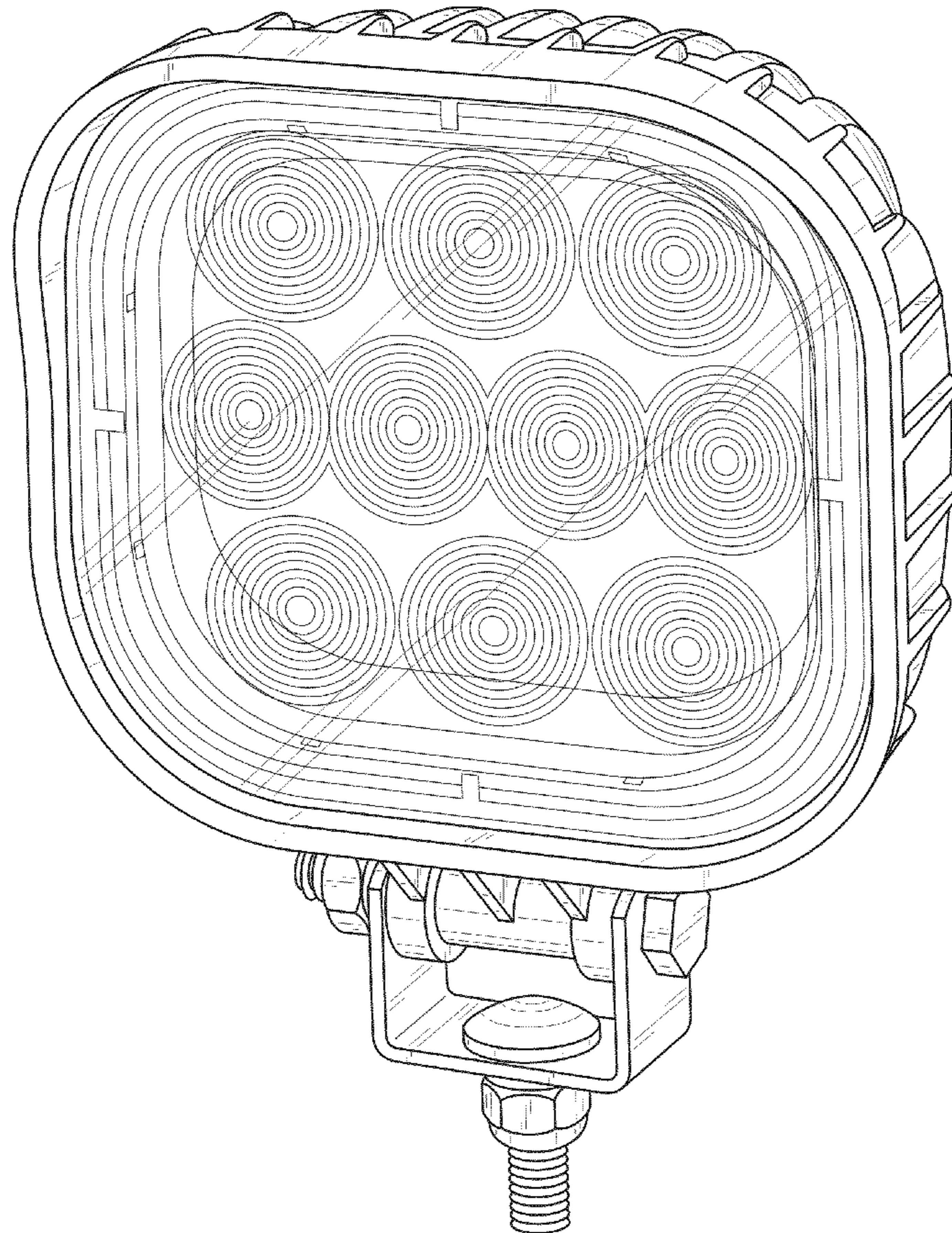
FIG. 4 is a right side elevational view thereof;

FIG. 5 is a left side elevational view thereof;

FIG. 6 is a top plan view thereof; and,

FIG. 7 is a bottom plan view thereof.

1 Claim, 7 Drawing Sheets



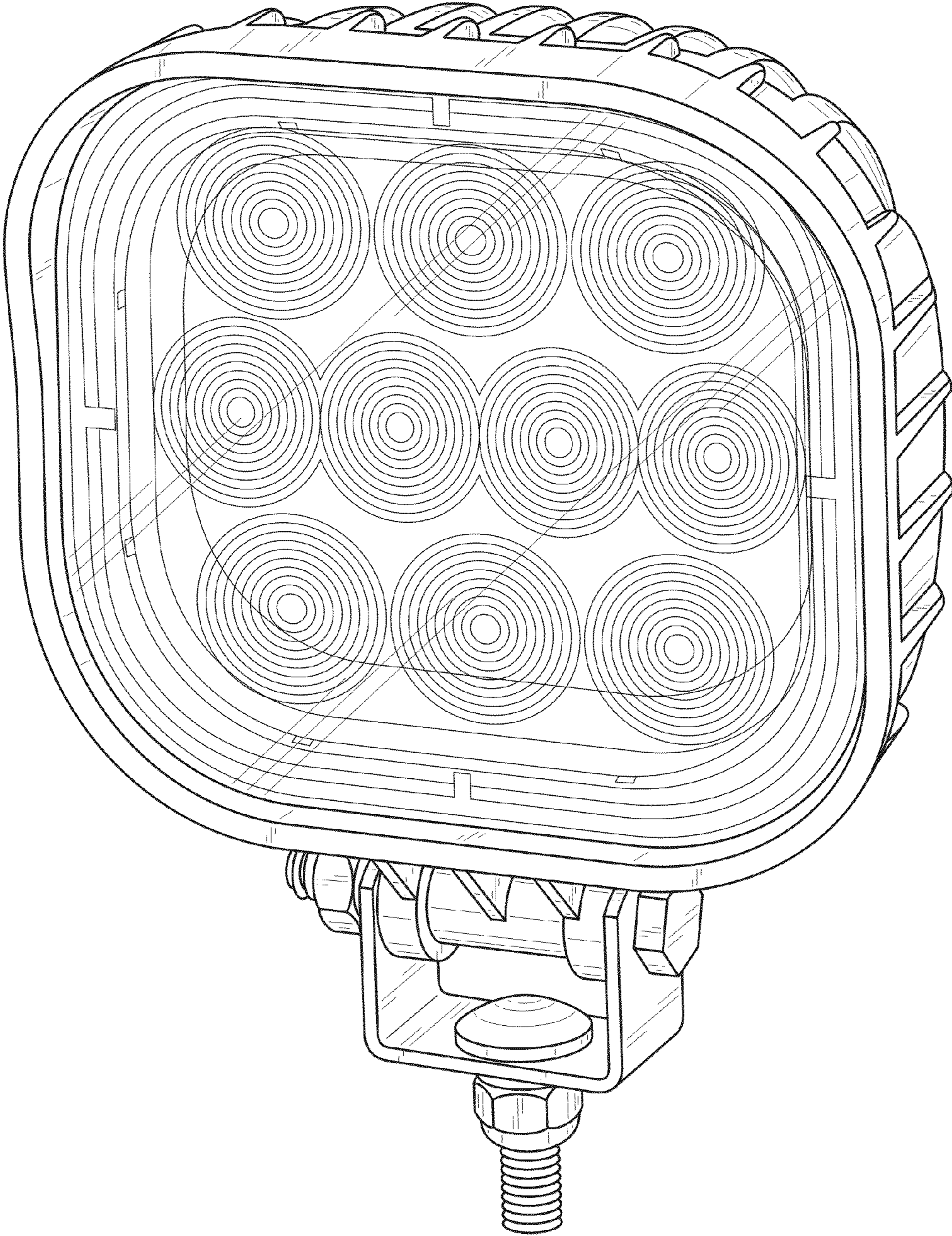


FIG. 1

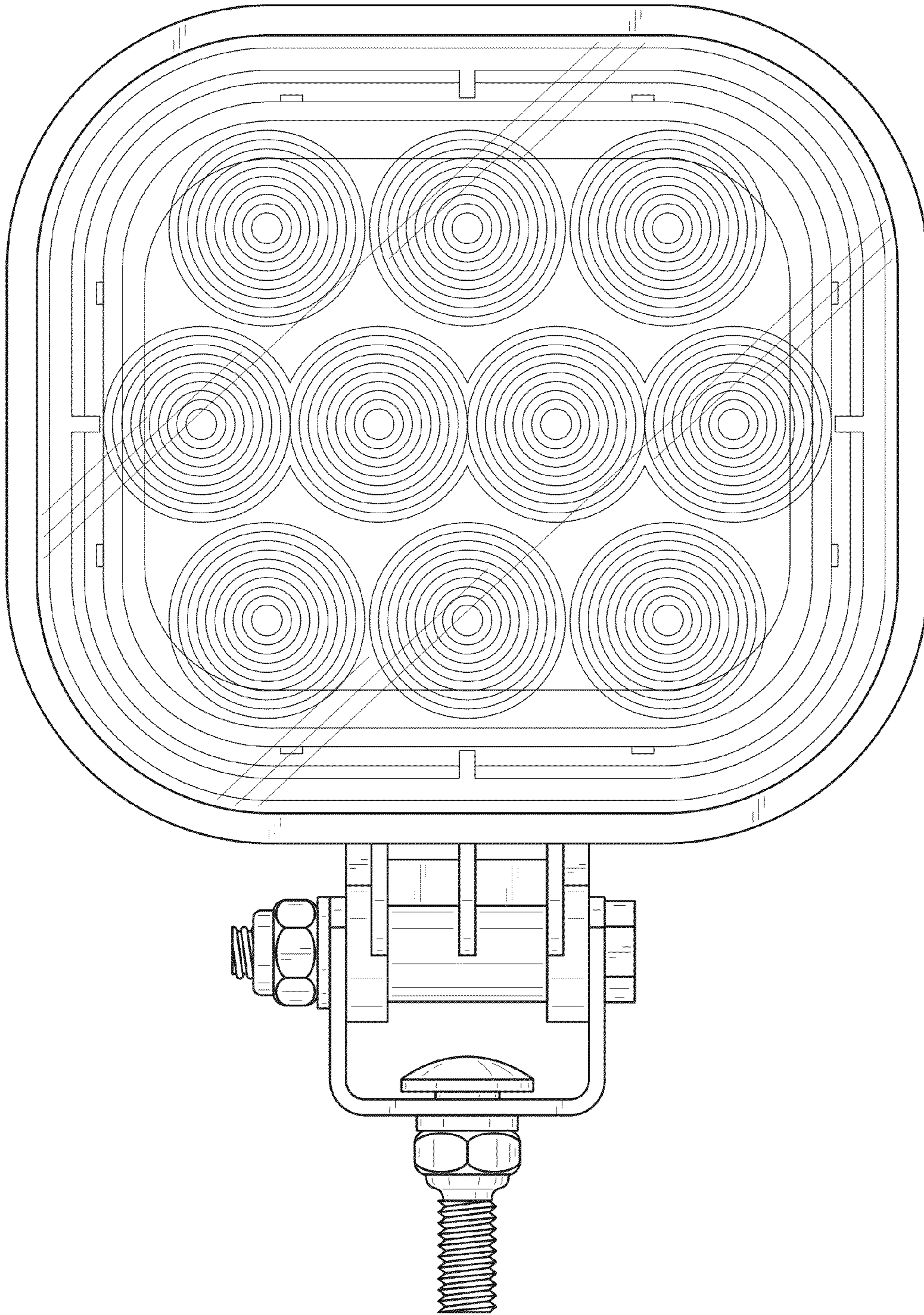


FIG. 2

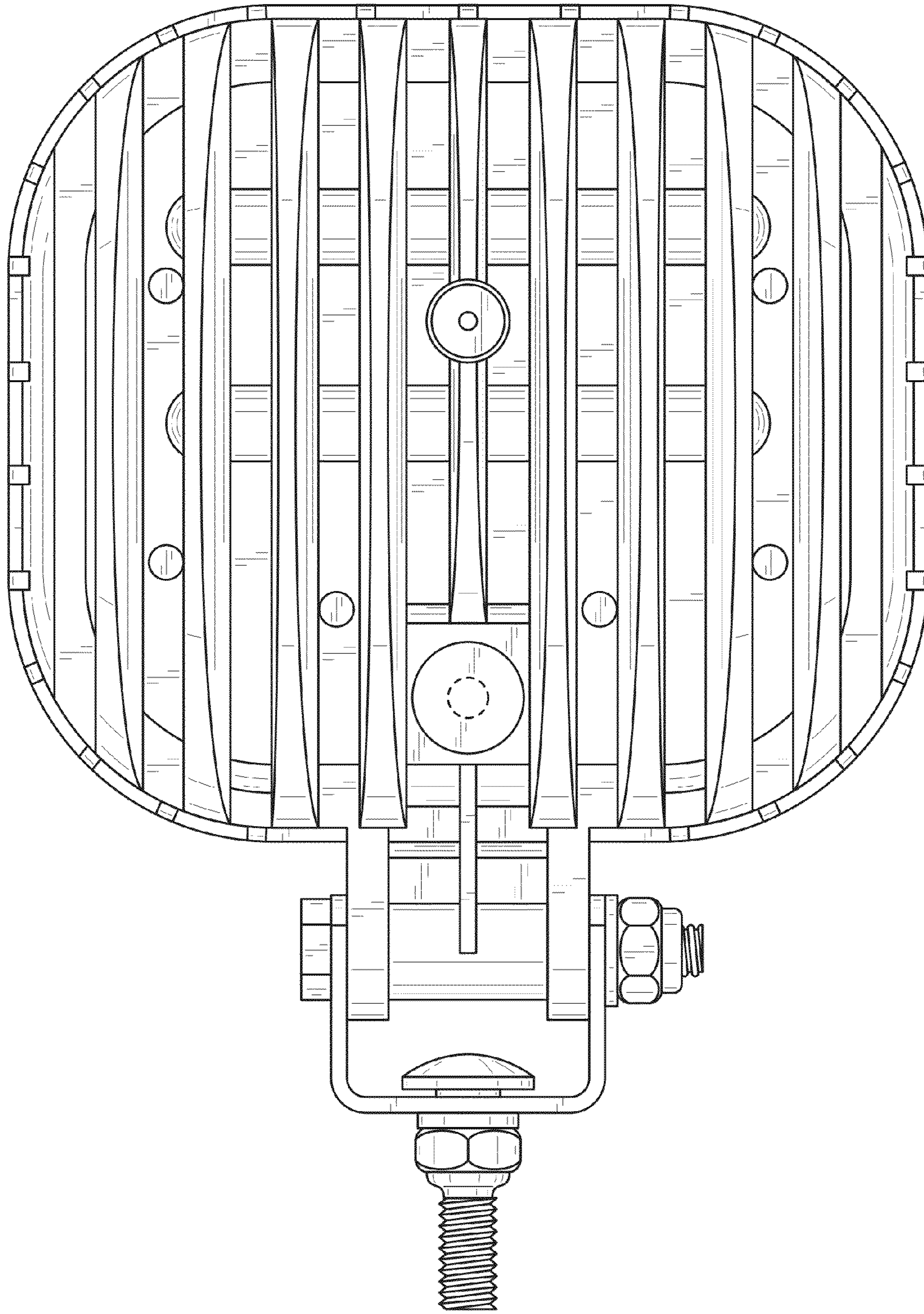


FIG. 3

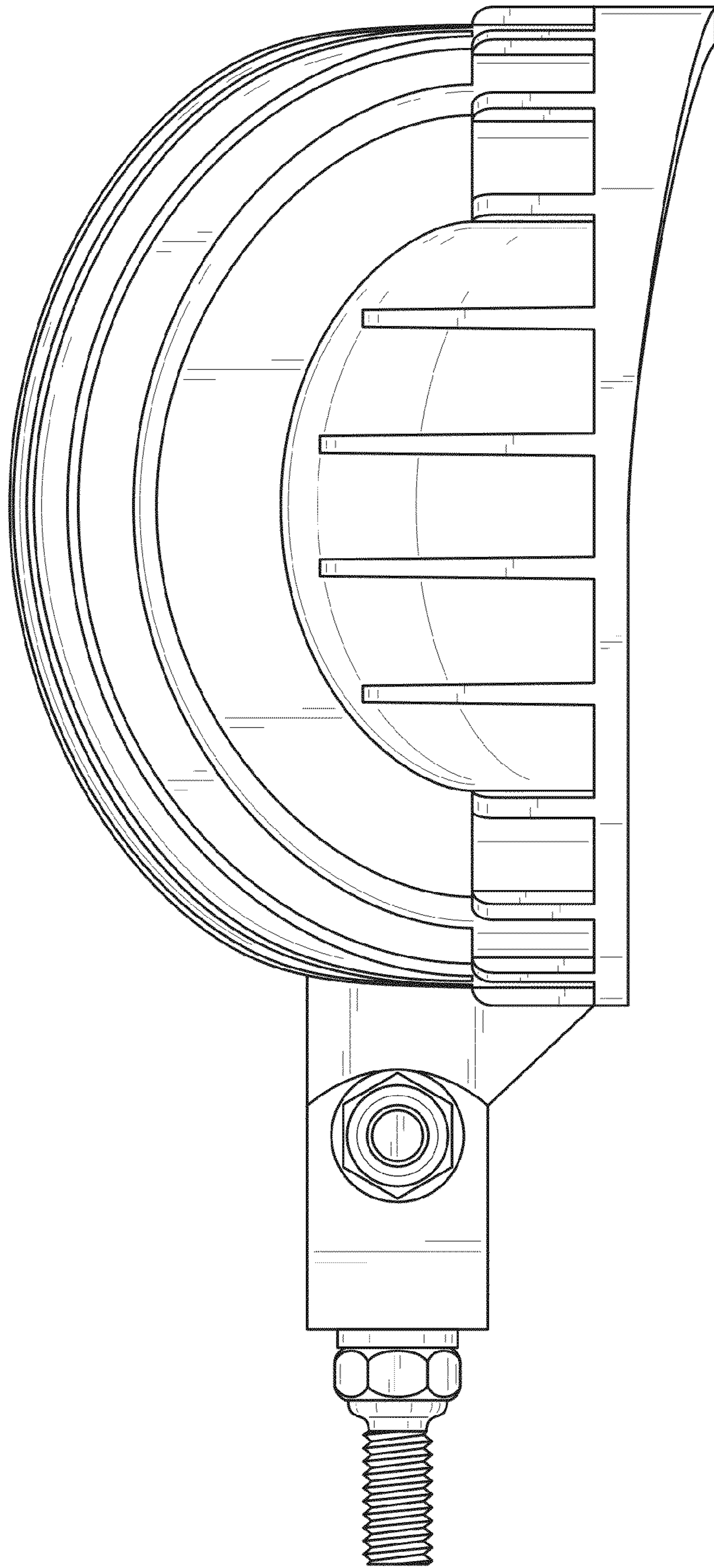


FIG. 4

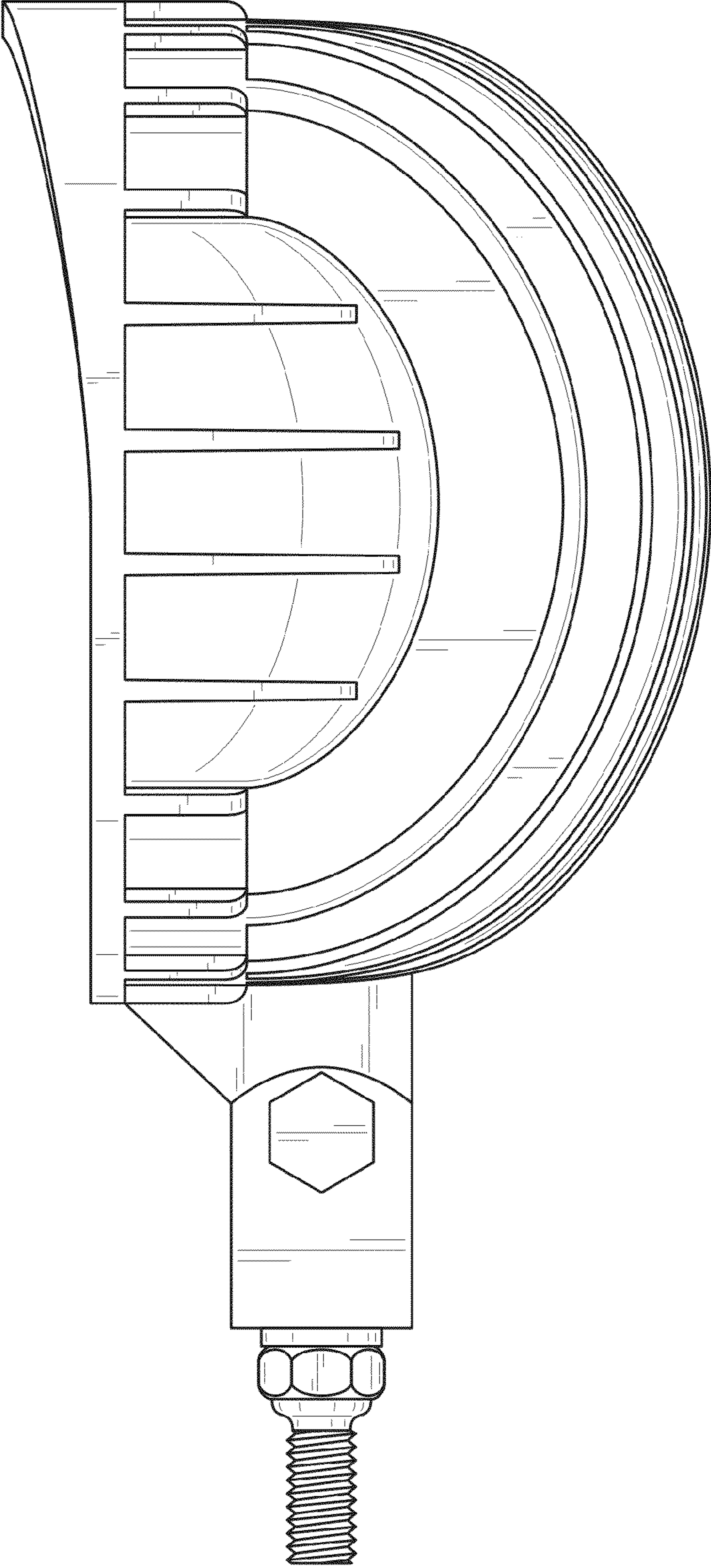


FIG. 5

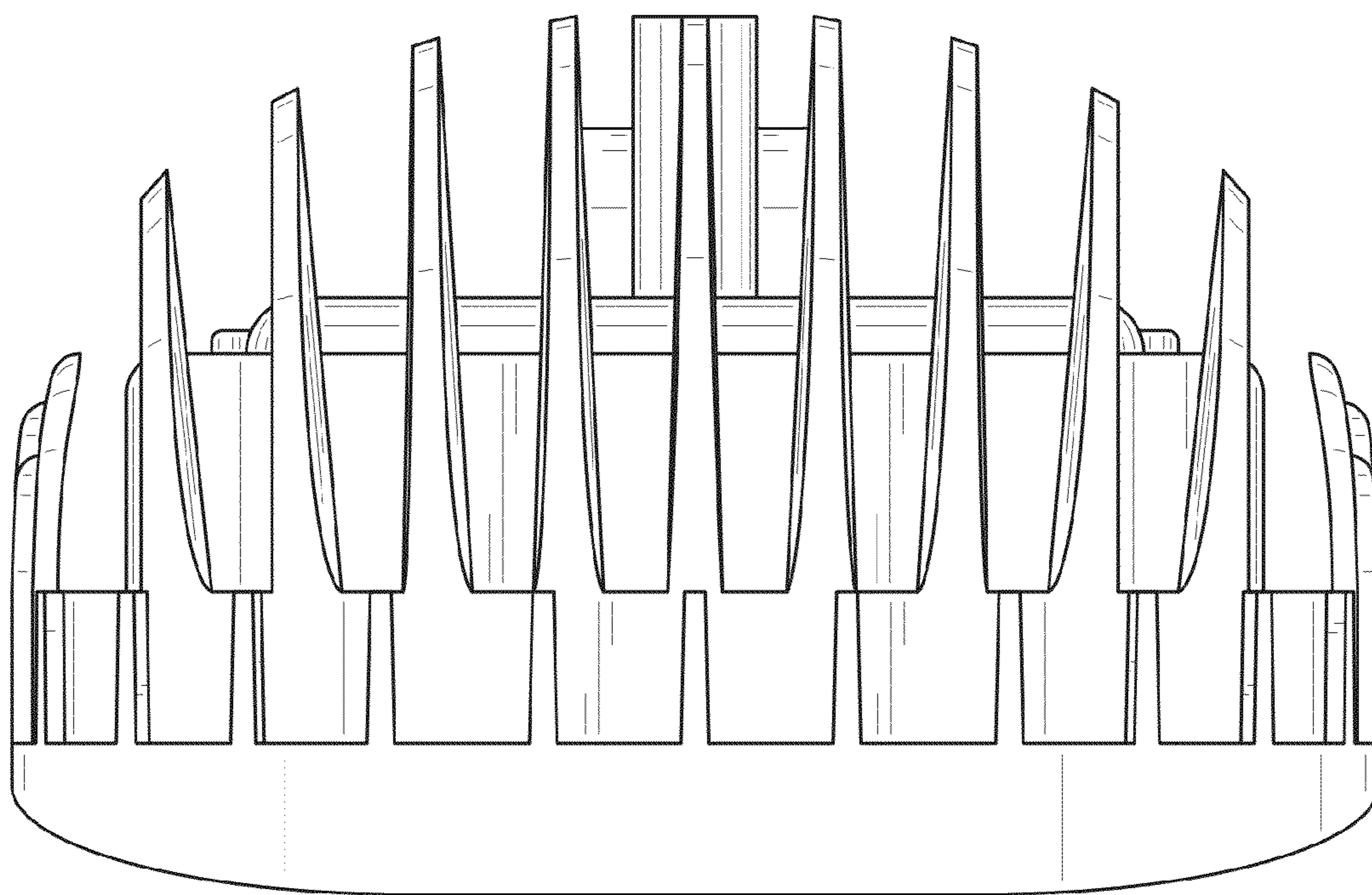


FIG. 6

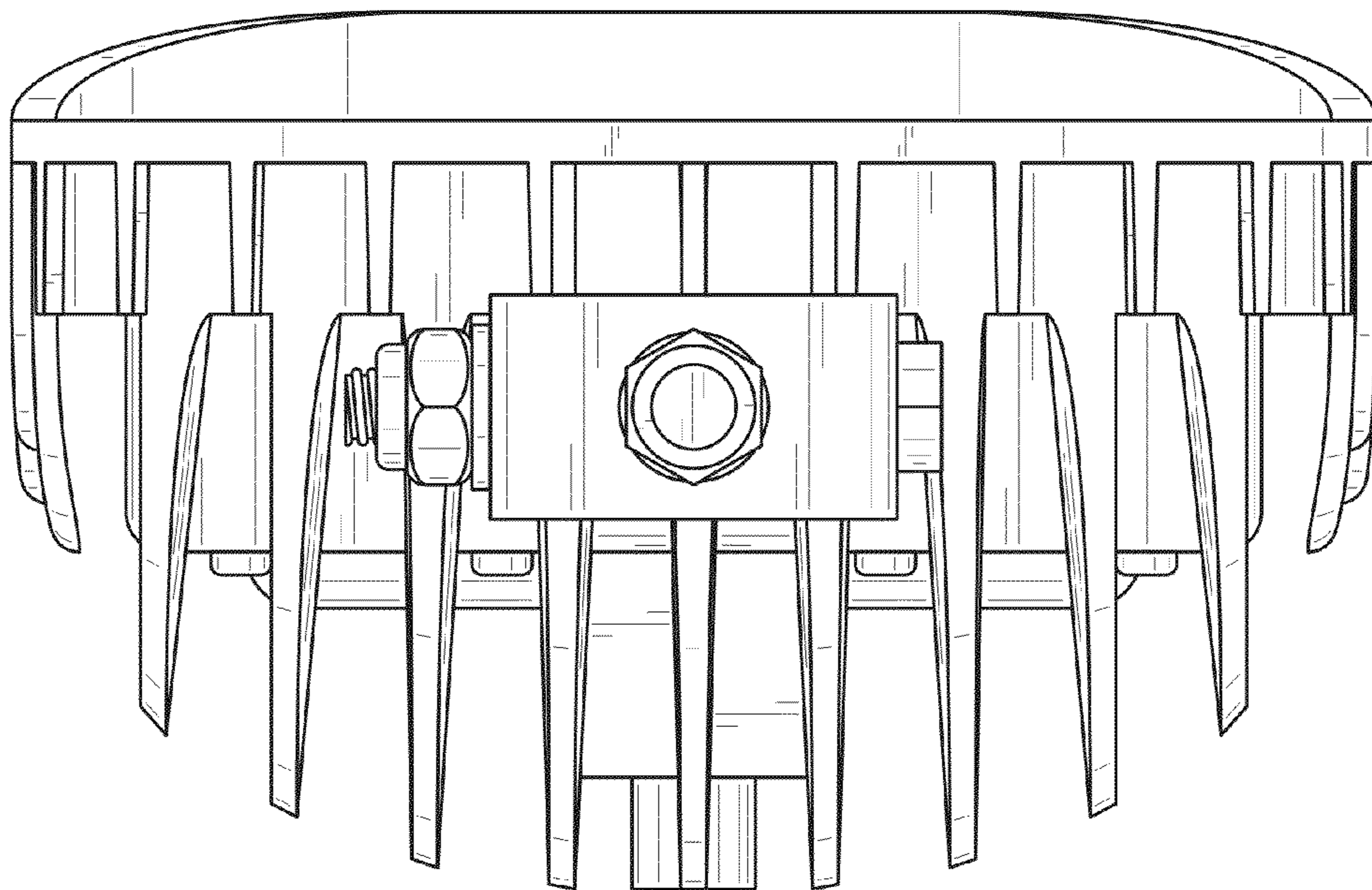


FIG. 7