



US00D712075S

(12) **United States Design Patent**
Pavani

(10) **Patent No.:** **US D712,075 S**

(45) **Date of Patent:** **** Aug. 26, 2014**

(54) **STRING OF LED LIGHTS FOR AN
AUTOMOBILE**

(76) **Inventor:** **Christoph Amadeus Pavani**, Salzburg
(AT)

(**) **Term:** **14 Years**

(21) **Appl. No.:** **29/418,910**

(22) **Filed:** **Apr. 23, 2012**

(51) **LOC (10) Cl.** **26-06**

(52) **U.S. Cl.**
USPC **D26/28**

(58) **Field of Classification Search**
USPC D26/28-36; 362/459-468, 475-478,
362/485-487

See application file for complete search history.

(56) **References Cited**

U.S. PATENT DOCUMENTS

D601,728 S *	10/2009	Kogo et al.	D26/28
D630,353 S *	1/2011	Reinbach	D26/28
D632,814 S *	2/2011	Chang	D26/28
D684,711 S *	6/2013	Chen et al.	D26/28

* cited by examiner

Primary Examiner — Marcus Jackson

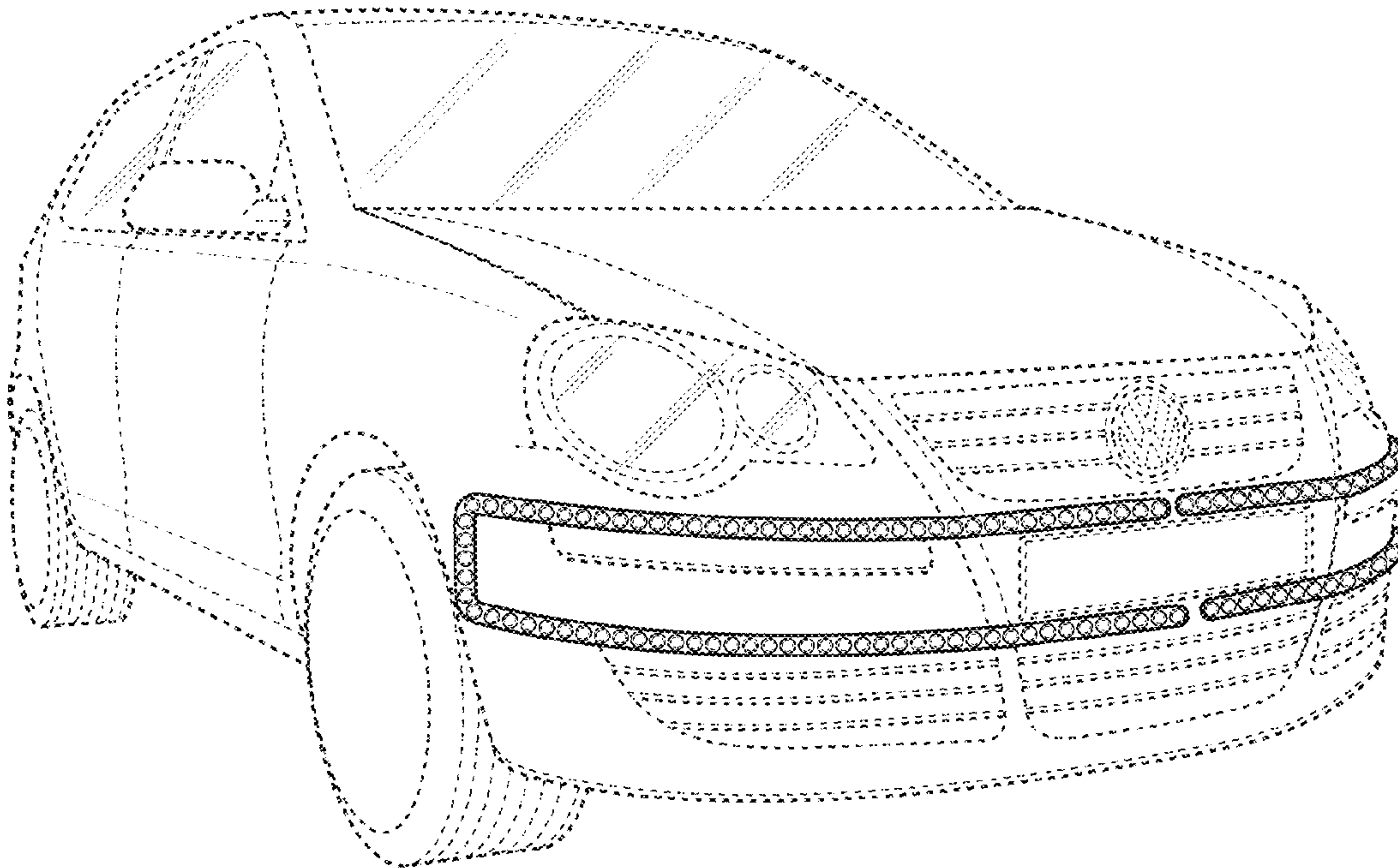
(57) **CLAIM**

The ornamental design for a string of LED lights for an automobile, as shown.

DESCRIPTION

FIG. 1 is a perspective view of a string of LED lights for an automobile showing my new design;
FIG. 2 is a front view thereof;
FIG. 3 is a left view thereof; and,
FIG. 4 is a right side view thereof.
The broken line showing of a portion of the automobile is included for the purpose of illustrating only and forms no part of the claimed design

1 Claim, 2 Drawing Sheets



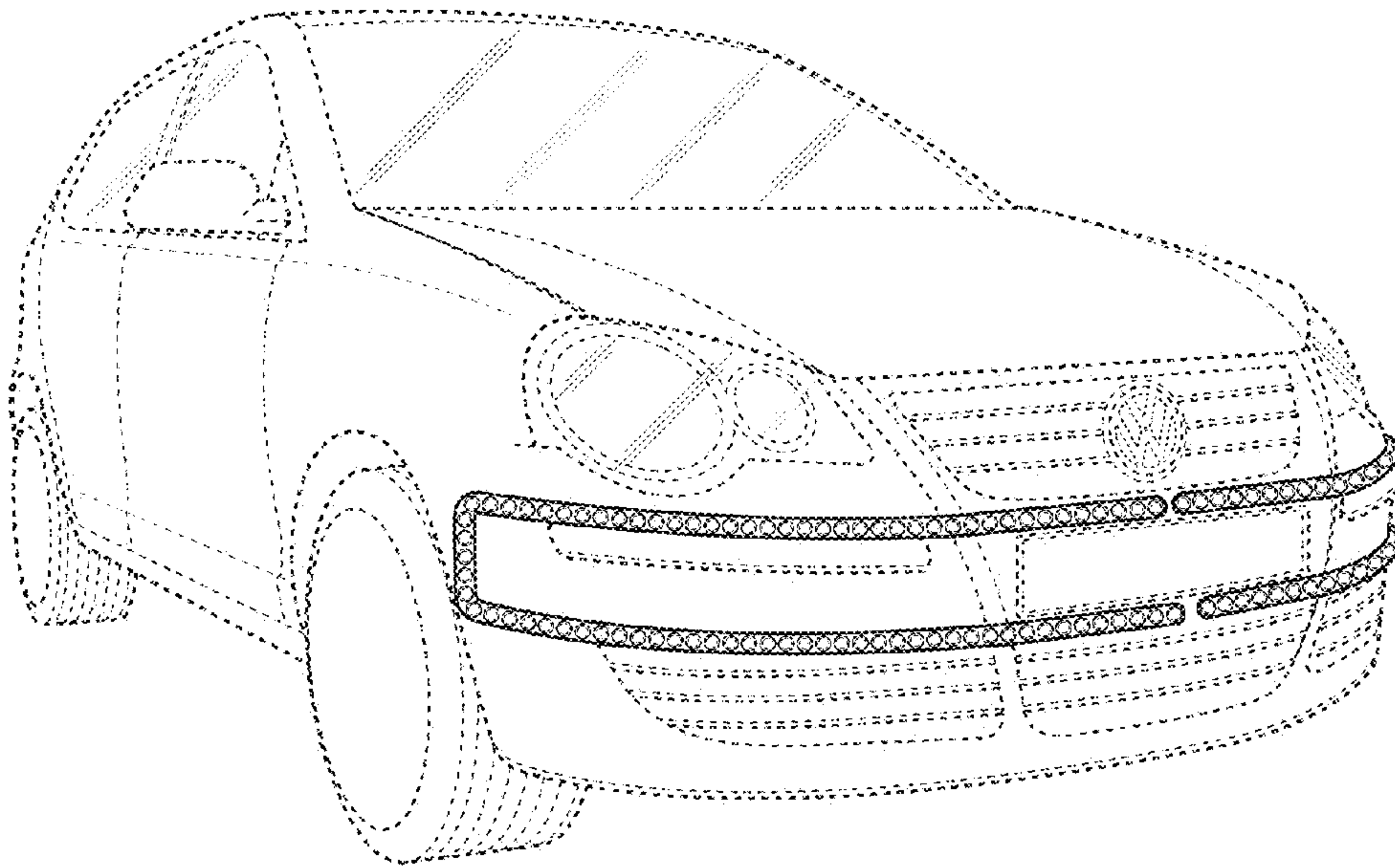


FIG. 1

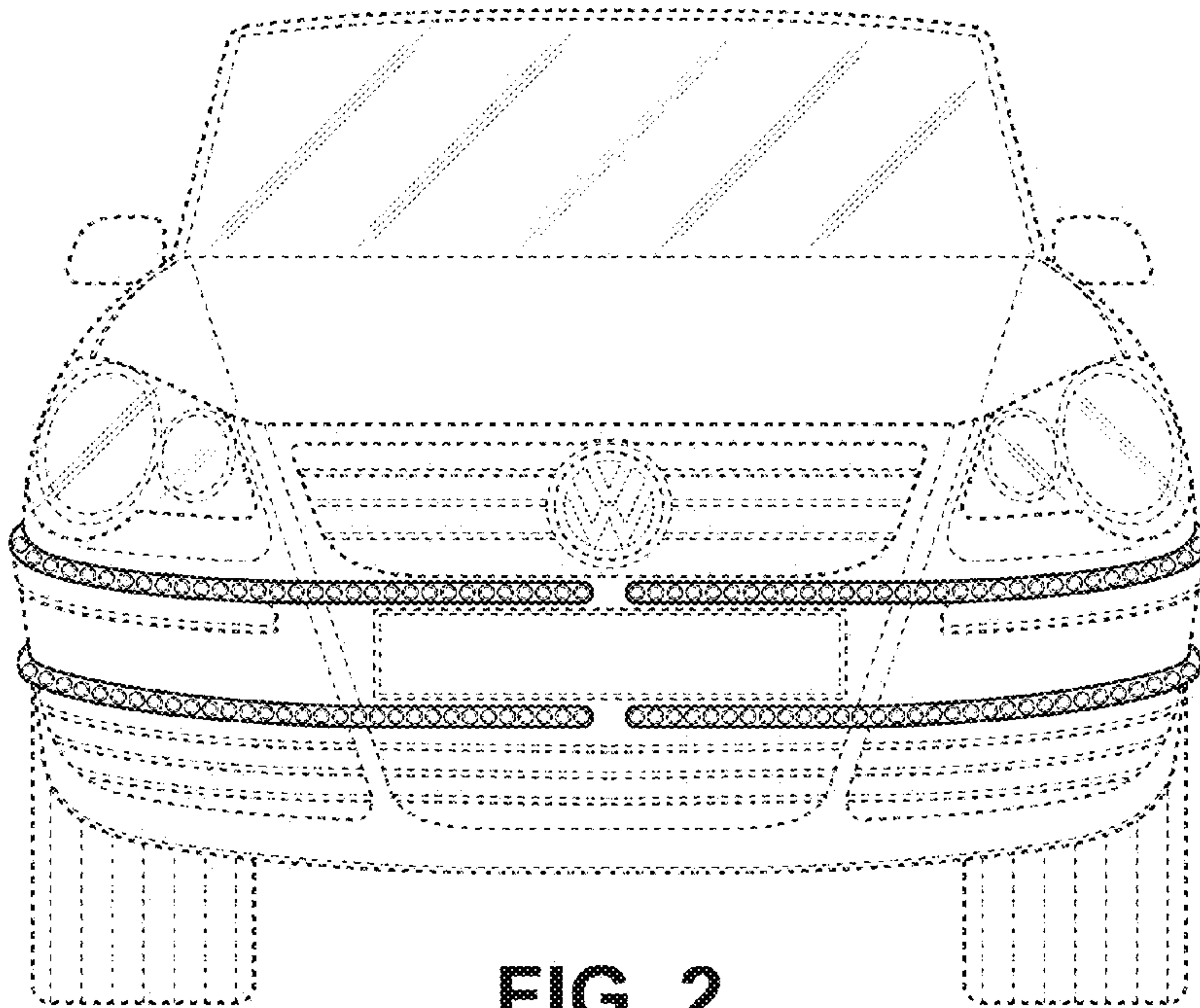


FIG. 2

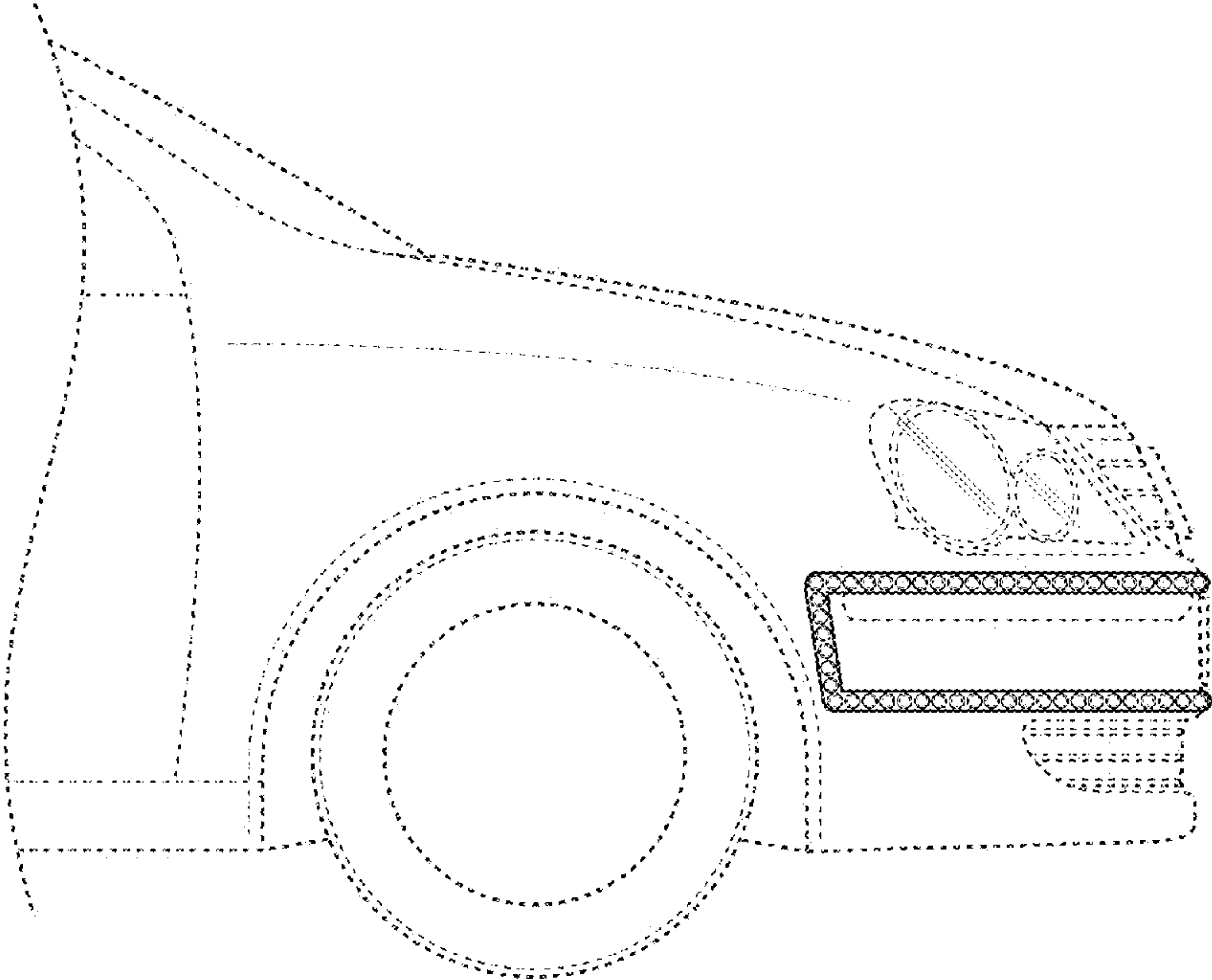


FIG. 3

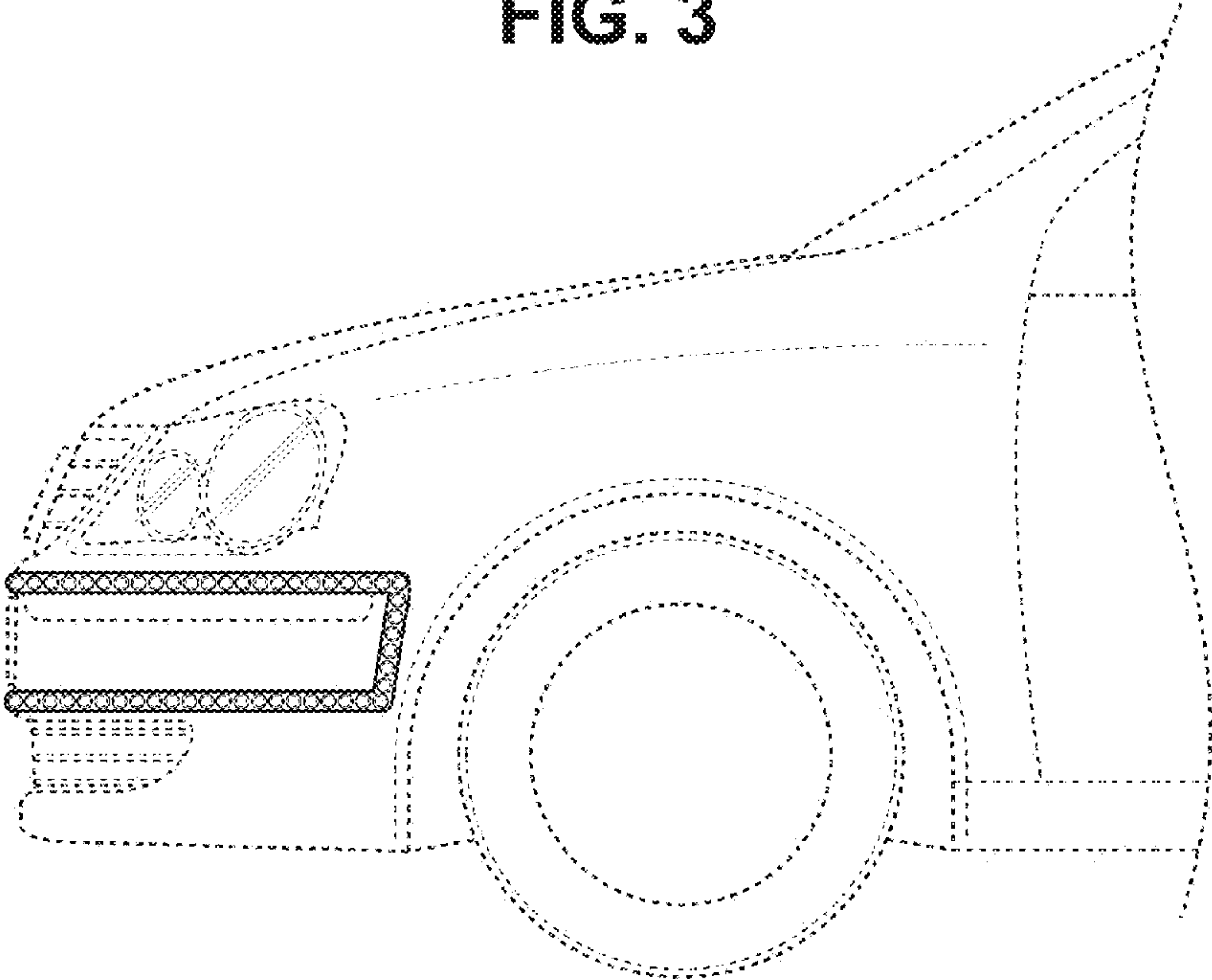


FIG. 4