



US00D712074S

(12) **United States Design Patent**
Rupp et al.

(10) **Patent No.:** **US D712,074 S**

(45) **Date of Patent:** **** Aug. 26, 2014**

(54) **LAMP**

(71) Applicant: **Osram Sylvania Inc.**, Danvers, MA (US)

(72) Inventors: **Timon Rupp**, Munich (DE); **Shiyong Zhang**, Boxborough, MA (US); **Phil Rioux**, Brentwood, NH (US); **Yichong Zeng**, Chelmsford, MA (US)

(**) Term: **14 Years**

(21) Appl. No.: **29/436,163**

(22) Filed: **Nov. 2, 2012**

(51) **LOC (10) Cl.** **26-04**

(52) **U.S. Cl.**
USPC **D26/2**

(58) **Field of Classification Search**
USPC D26/1-4; 313/313, 315, 316, 317, 318, 313/493; 315/52, 53, 56, 57, 58
See application file for complete search history.

(56) **References Cited**

U.S. PATENT DOCUMENTS

D532,532	S	*	11/2006	Maxik	D26/2
D544,110	S	*	6/2007	Hooker et al.	D26/2
D566,300	S	*	4/2008	Lo	D26/2
D581,555	S	*	11/2008	To et al.	D26/2
D584,838	S	*	1/2009	To et al.	D26/2
D667,969	S		9/2012	Rioux et al.		
D698,053	S	*	1/2014	Rupp et al.	D26/2
2010/0133578	A1		6/2010	Pickard et al.		

FOREIGN PATENT DOCUMENTS

EP	2256403	A2	12/2010
WO	2011029724	A1	3/2011

OTHER PUBLICATIONS

Brochure showing Osram Sylvania Ultra LED Narrow Beam PAR 38 Lamp, one design created by Shiyong Zhang, Yichong Zeng and Phil Rioux, exhibited May 7, 2012 at Las Vegas Light Fair Trade Show, Nevada, USA (1 page).

Applicants' pending Design U.S. Appl. No. 29/395,476, filed Jan. 27, 2012 naming inventors Shiyong Zhang and Yichong Zeng.

Applicants' pending Design U.S. Appl. No. 29/427,553, filed Jul. 19, 2012 naming inventors Phil Rioux, Shiyong Zhang and Yichong Zeng.

* cited by examiner

Primary Examiner — Marcus Jackson

(74) *Attorney, Agent, or Firm* — Edward S. Podszus

(57) **CLAIM**

The ornamental design for a lamp, as shown and described.

DESCRIPTION

FIG. 1 is a perspective view of the design for a lamp as seen from the front, top;

FIG. 2 is a rear perspective view as seen from the rear, side thereof;

FIG. 3 is a front side elevational view thereof;

FIG. 4 is a rear side elevational view thereof;

FIG. 5 is a top plan view thereof; and

FIG. 6 is a rear plan view thereof.

FIG. 7 is a perspective view of the second embodiment of the design for a lamp as seen from the front, top;

FIG. 8 is a rear perspective view of the second embodiment as seen from the rear, side thereof;

FIG. 9 is a front side elevational view of the second embodiment;

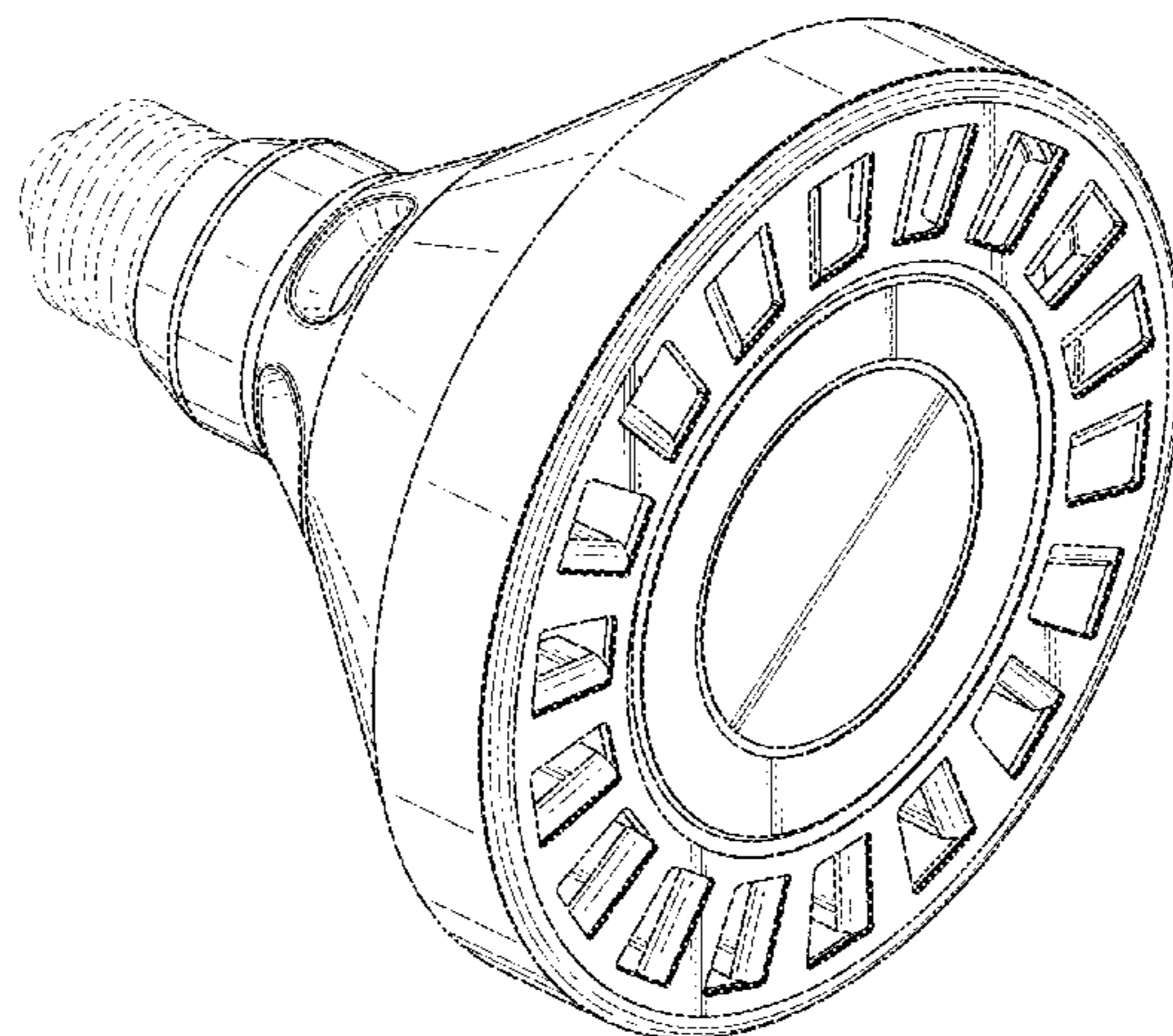
FIG. 10 is a rear side elevational view of the second embodiment;

FIG. 11 is a top plan view of the second embodiment; and,

FIG. 12 is a rear plan view of the second embodiment.

The broken line disclosure is for environmental purposes only and does not form a part of the claimed design.

1 Claim, 12 Drawing Sheets



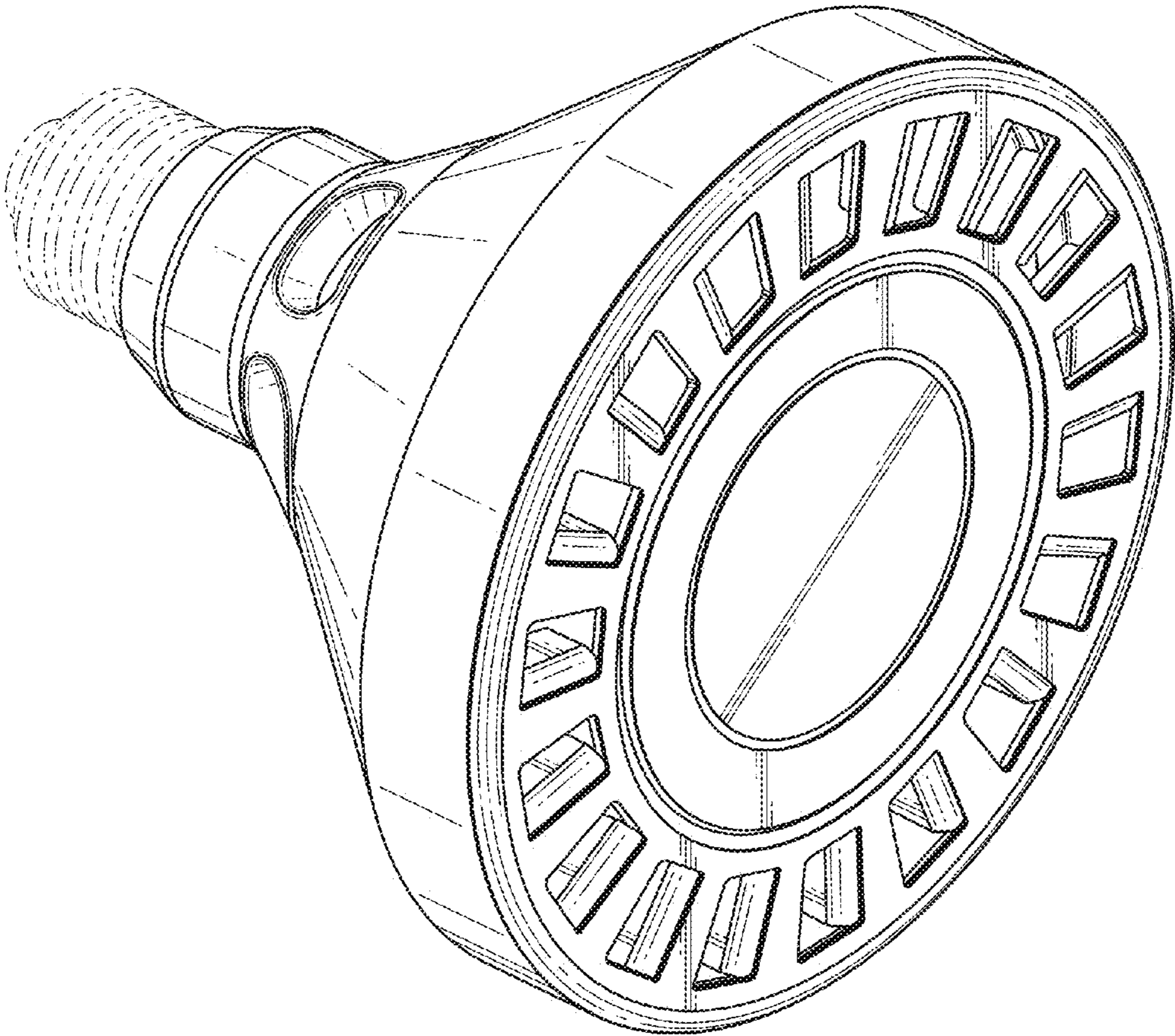


FIG. 1

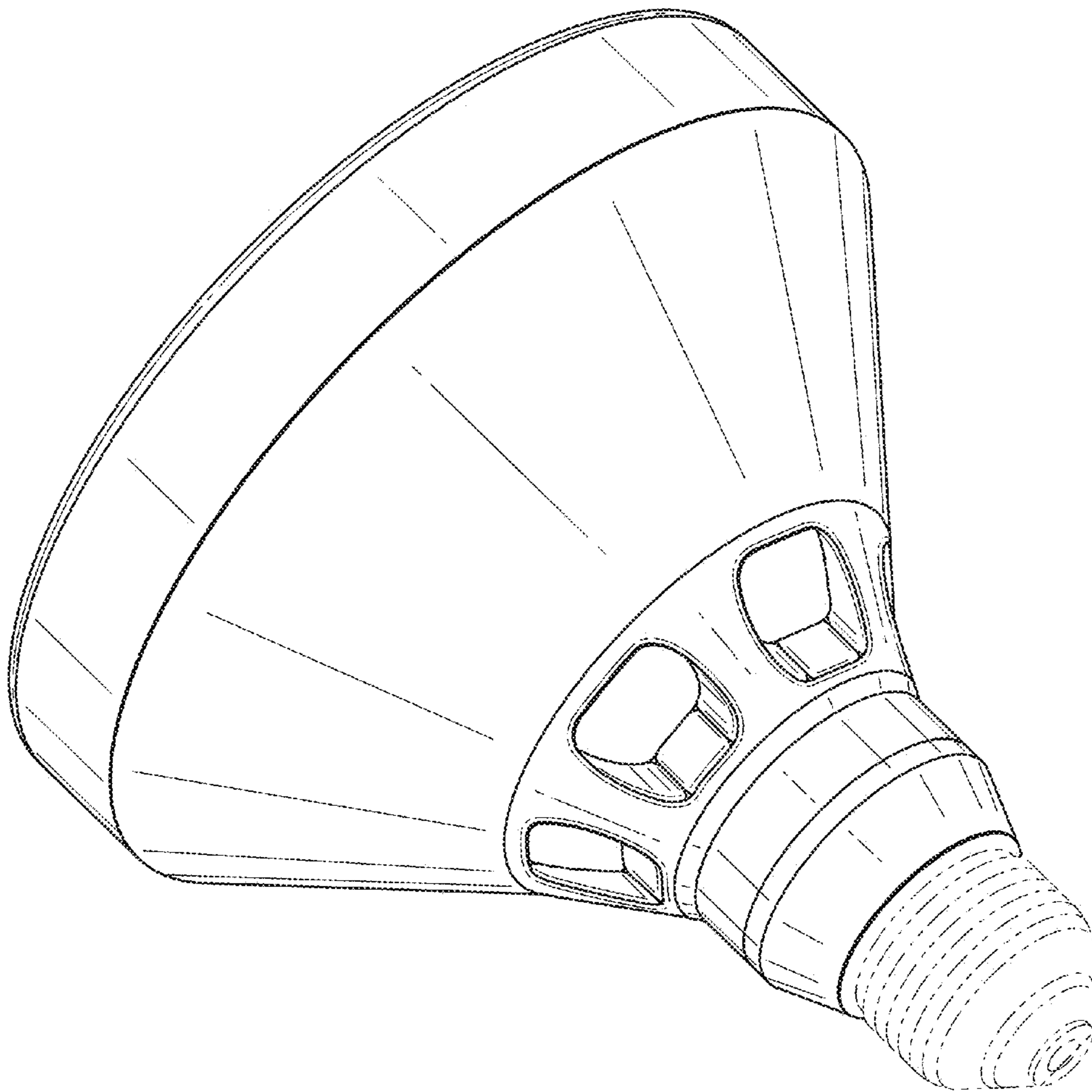


FIG. 2

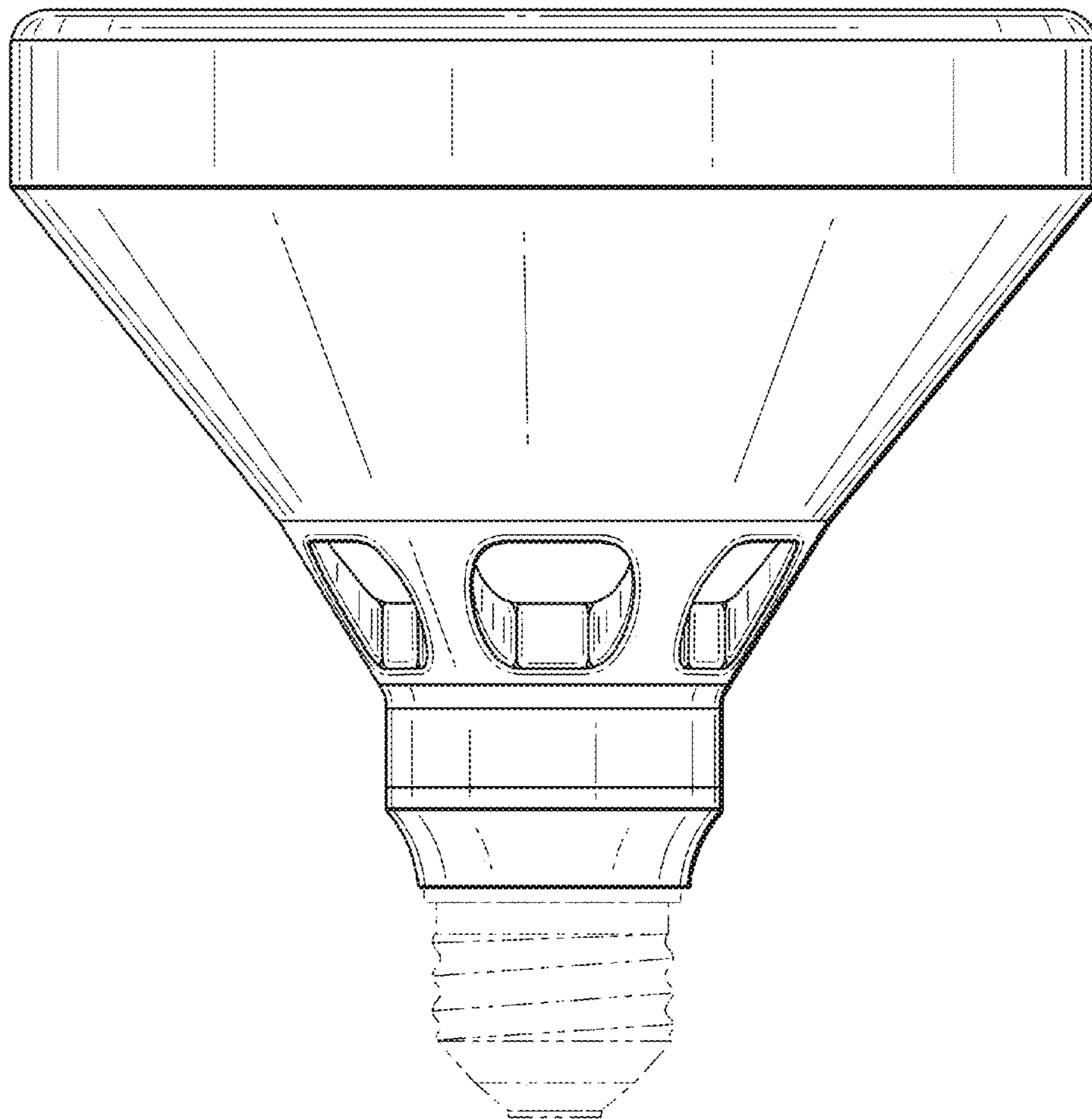


FIG. 3

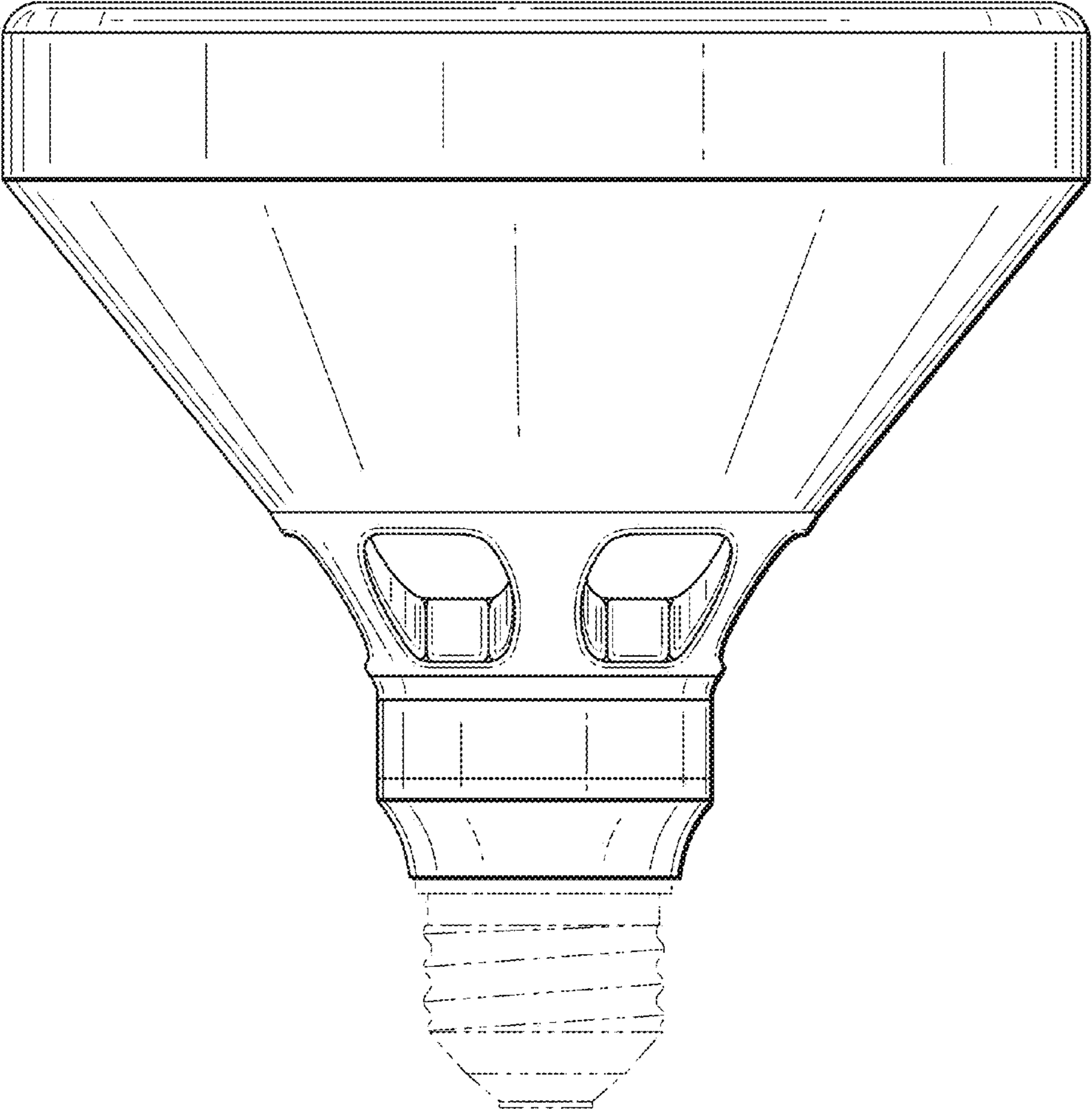


FIG. 4

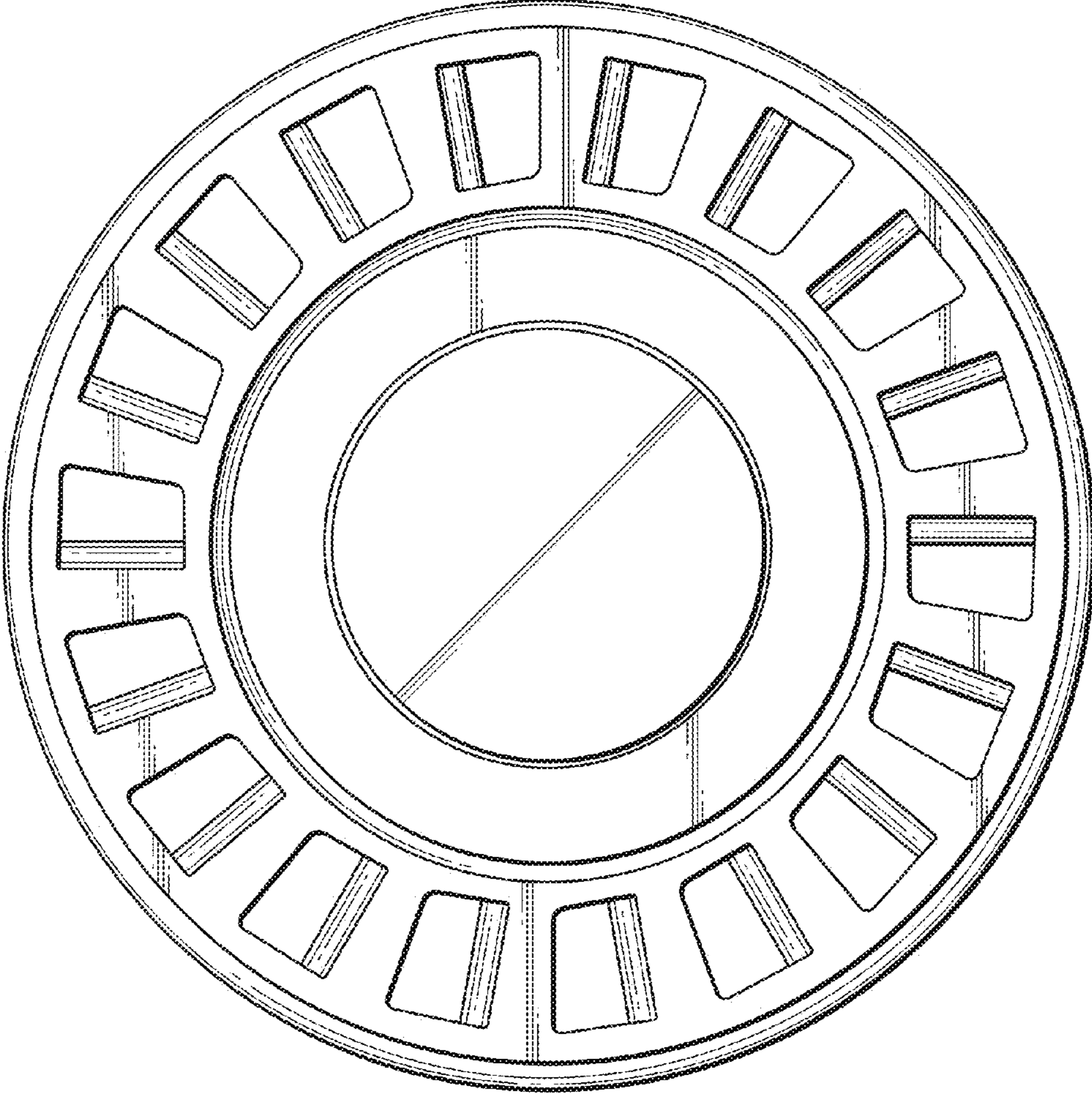


FIG. 5

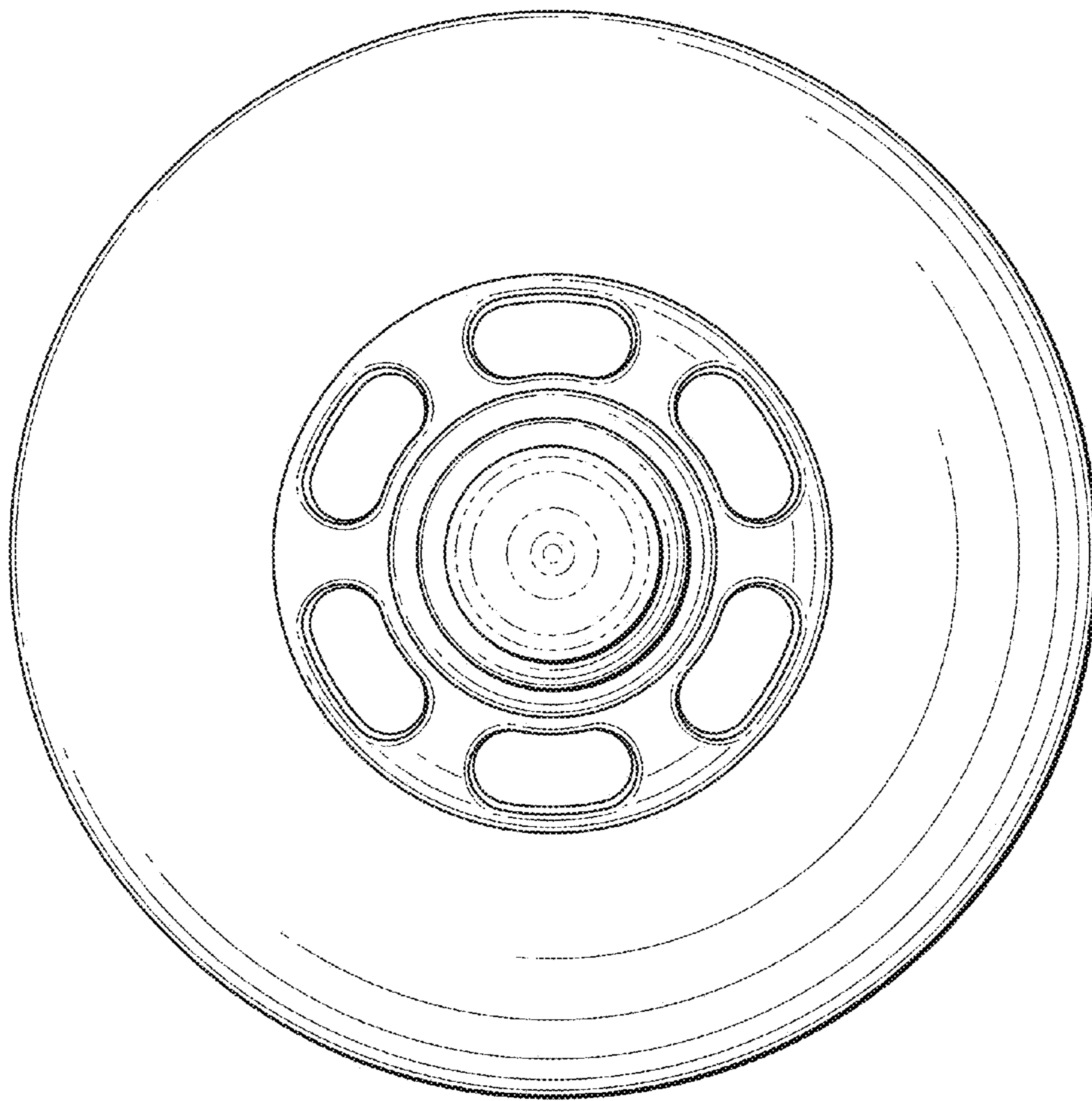


FIG. 6

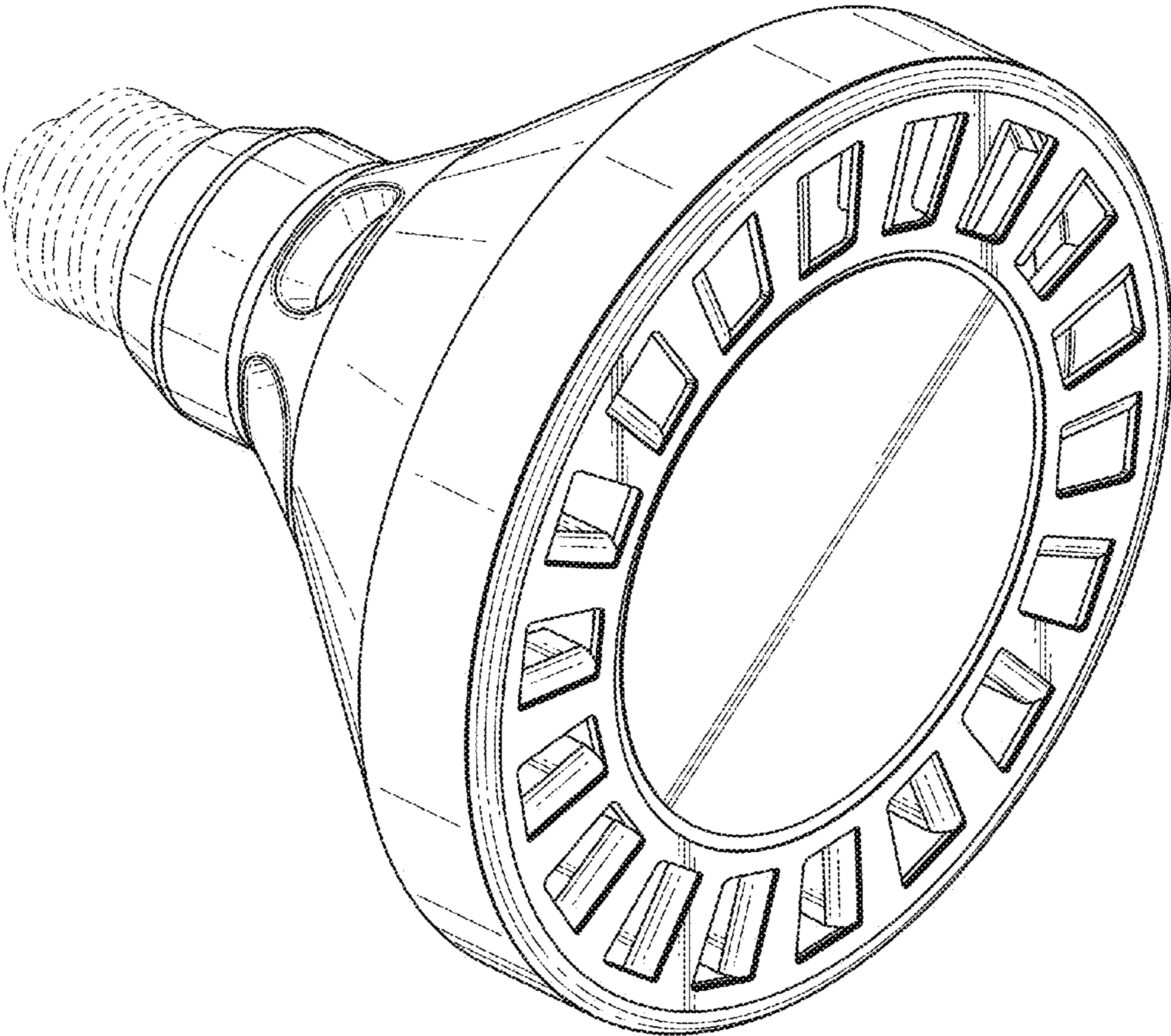


FIG. 7

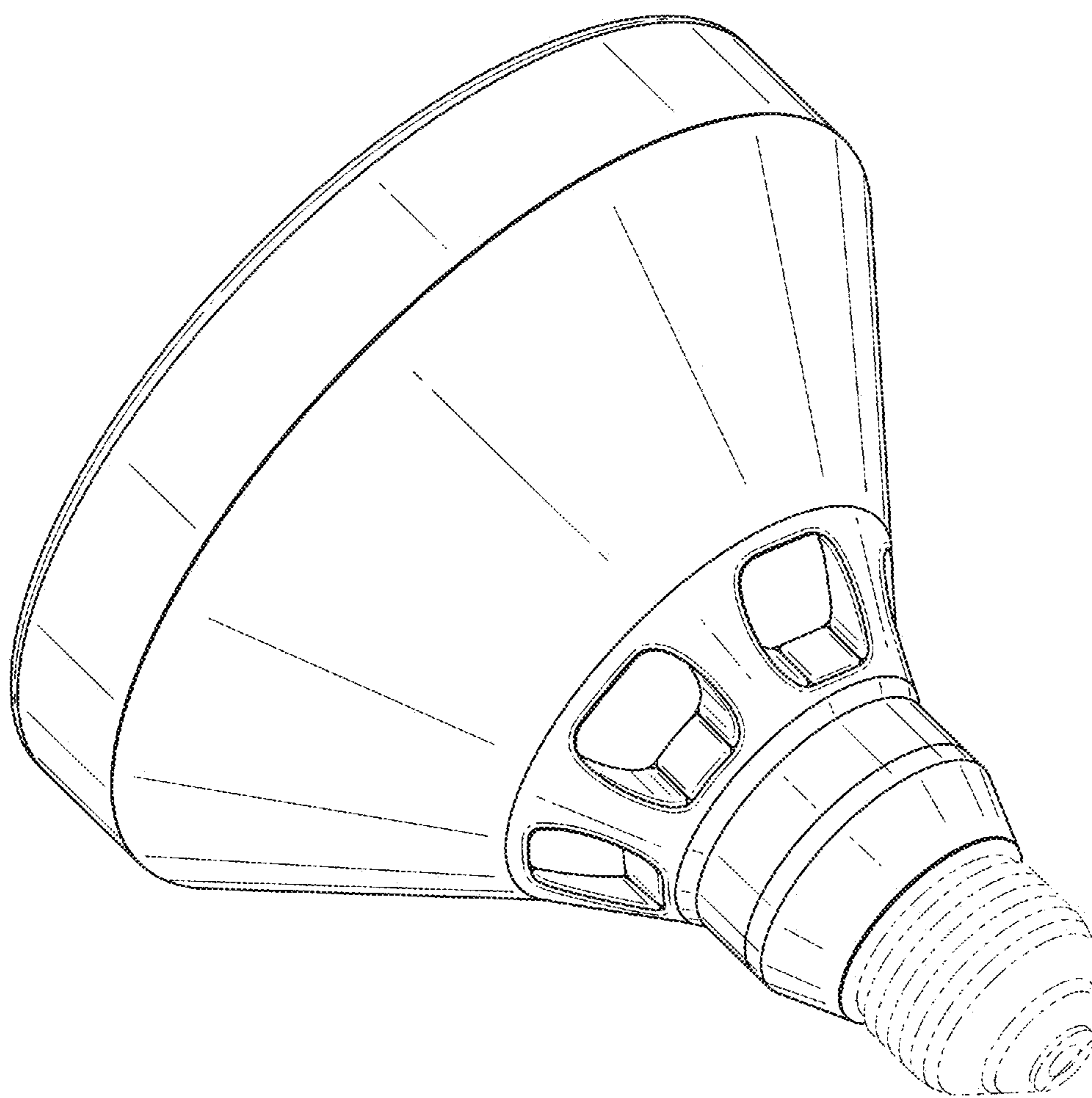


FIG. 8

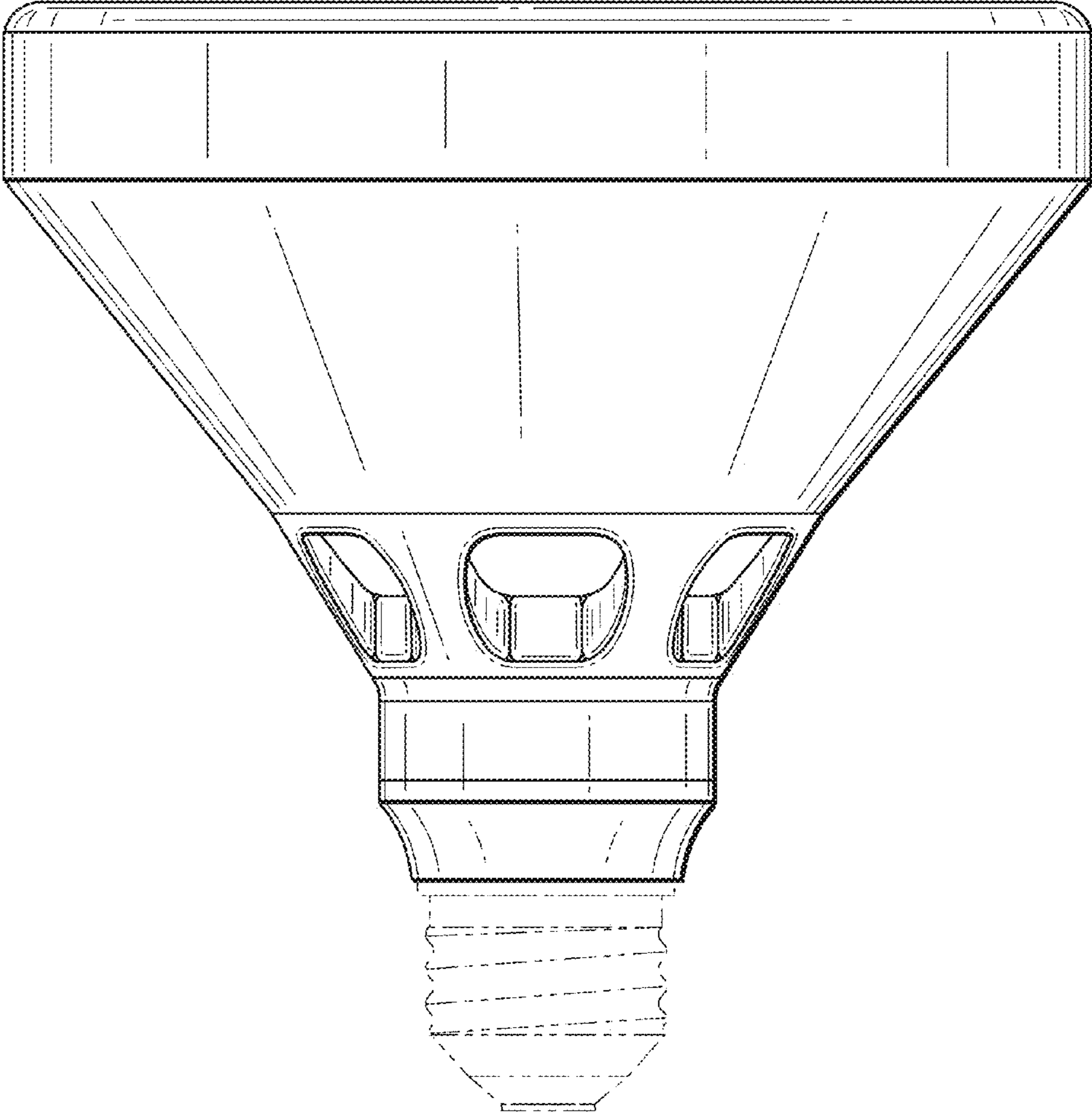


FIG. 9

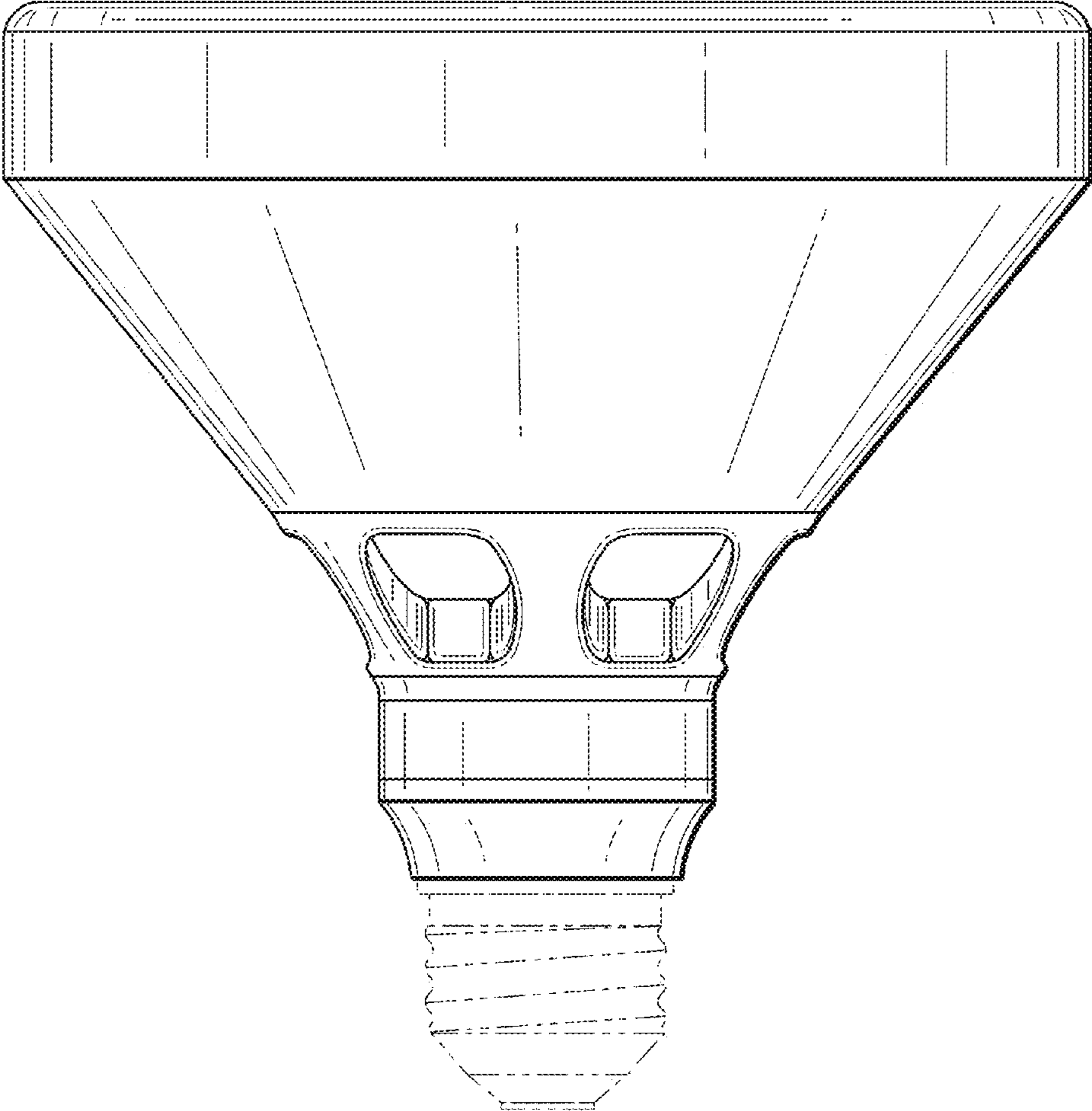


FIG. 10

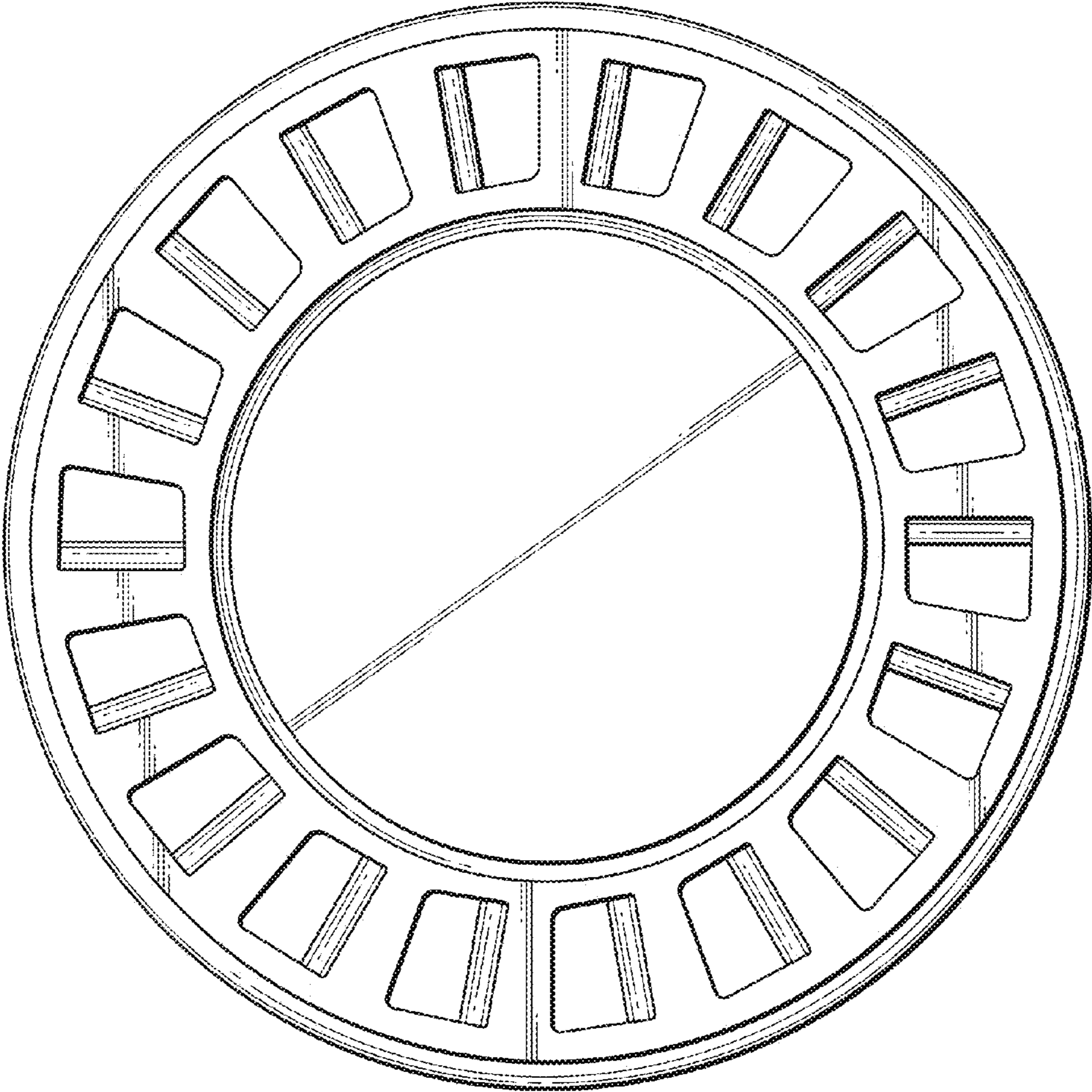


FIG. 11

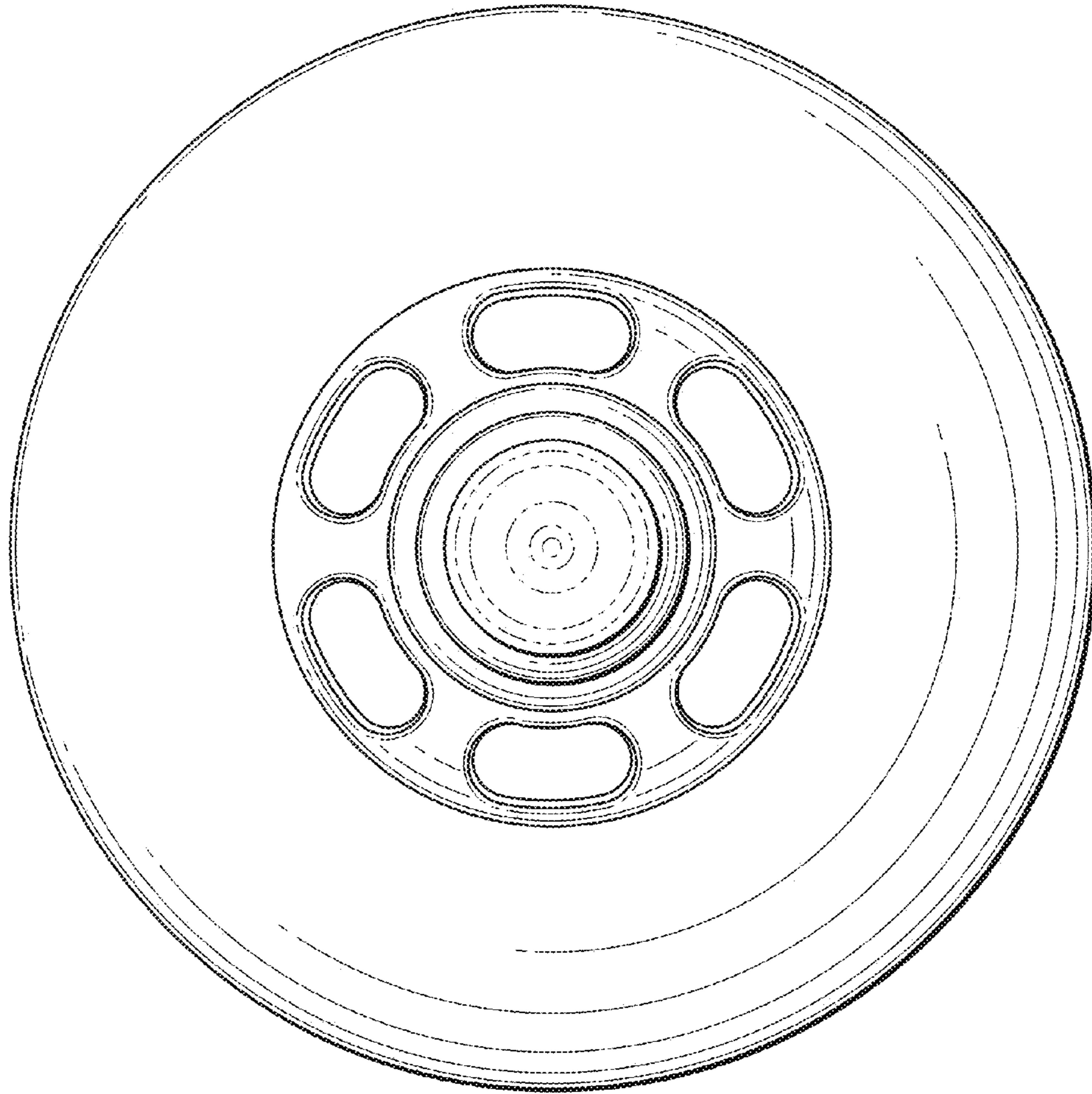


FIG. 12