



US00D712072S

(12) **United States Design Patent**
Lin et al.

(10) **Patent No.:** **US D712,072 S**

(45) **Date of Patent:** **** Aug. 26, 2014**

(54) **FLOOR CONNECTOR**

(71) Applicants: **Zhipeng Lin**, Dongguan (CN); **Zhebin Lin**, Dongguan (CN)

(72) Inventors: **Zhipeng Lin**, Dongguan (CN); **Zhebin Lin**, Dongguan (CN)

(**) Term: **14 Years**

(21) Appl. No.: **29/439,707**

(22) Filed: **Dec. 13, 2012**

(51) **LOC (10) Cl.** **25-01**

(52) **U.S. Cl.**

USPC **D25/138**

(58) **Field of Classification Search**

USPC D25/138; 52/403.1, 480, 384, 395, 391,
52/177, 174

See application file for complete search history.

(56) **References Cited**

U.S. PATENT DOCUMENTS

7,010,894	B1 *	3/2006	Cappelle	52/480
2004/0172904	A1 *	9/2004	Martensson	52/384
2005/0097847	A1 *	5/2005	Hearne	52/506.01
2006/0156664	A1 *	7/2006	Chae	52/480
2006/0156670	A1 *	7/2006	Knauseder	52/578

* cited by examiner

Primary Examiner — Doris Clark

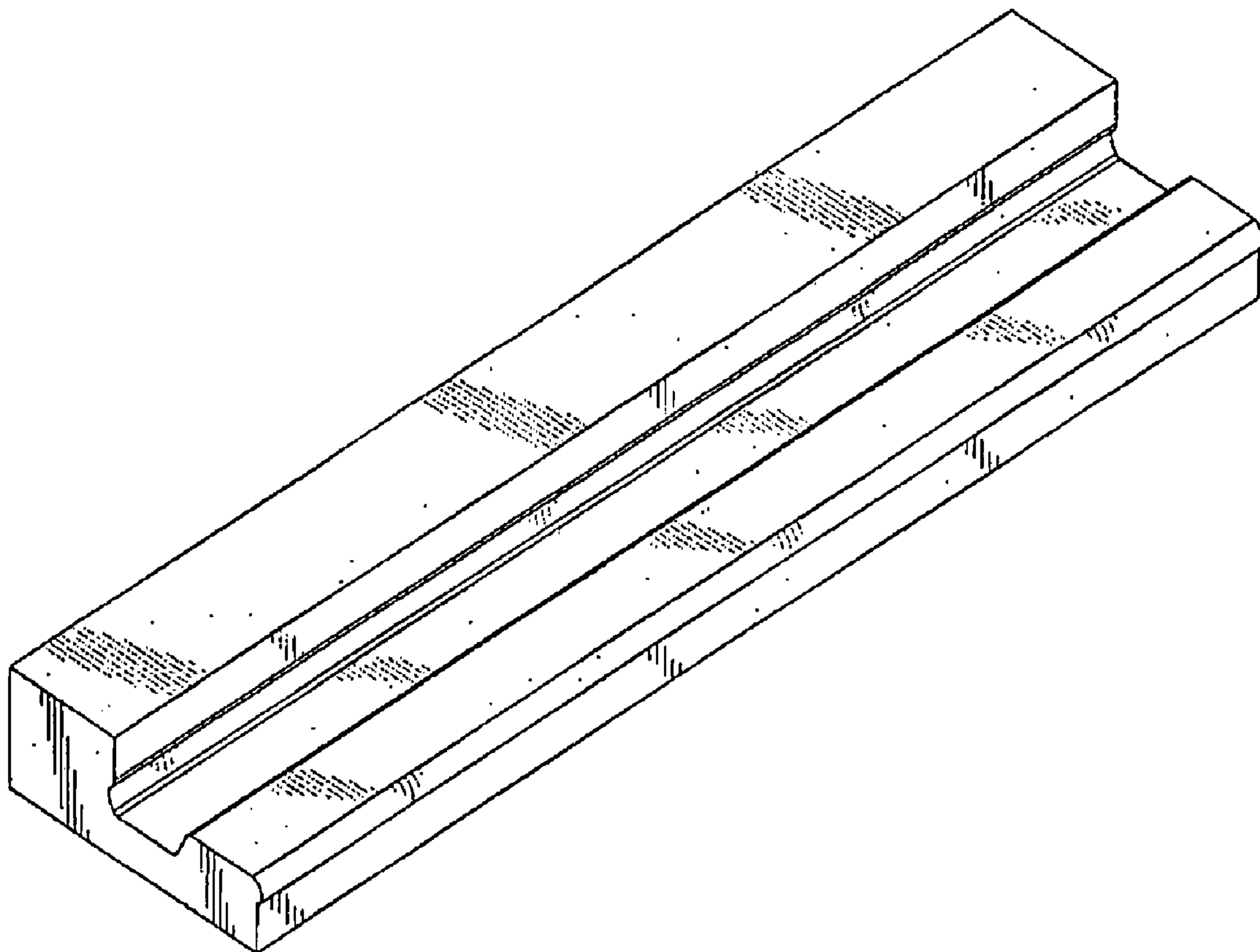
(57) **CLAIM**

The ornamental design for a floor connector, as shown and described.

DESCRIPTION

FIG. 1 is a perspective view of a floor connector showing our new design;
FIG. 2 is a front elevational view thereof;
FIG. 3 is a rear elevational view thereof;
FIG. 4 is a left side elevational view thereof;
FIG. 5 is a right side elevational view thereof;
FIG. 6 is a top plan view thereof; and,
FIG. 7 is a bottom plan view thereof.

1 Claim, 7 Drawing Sheets



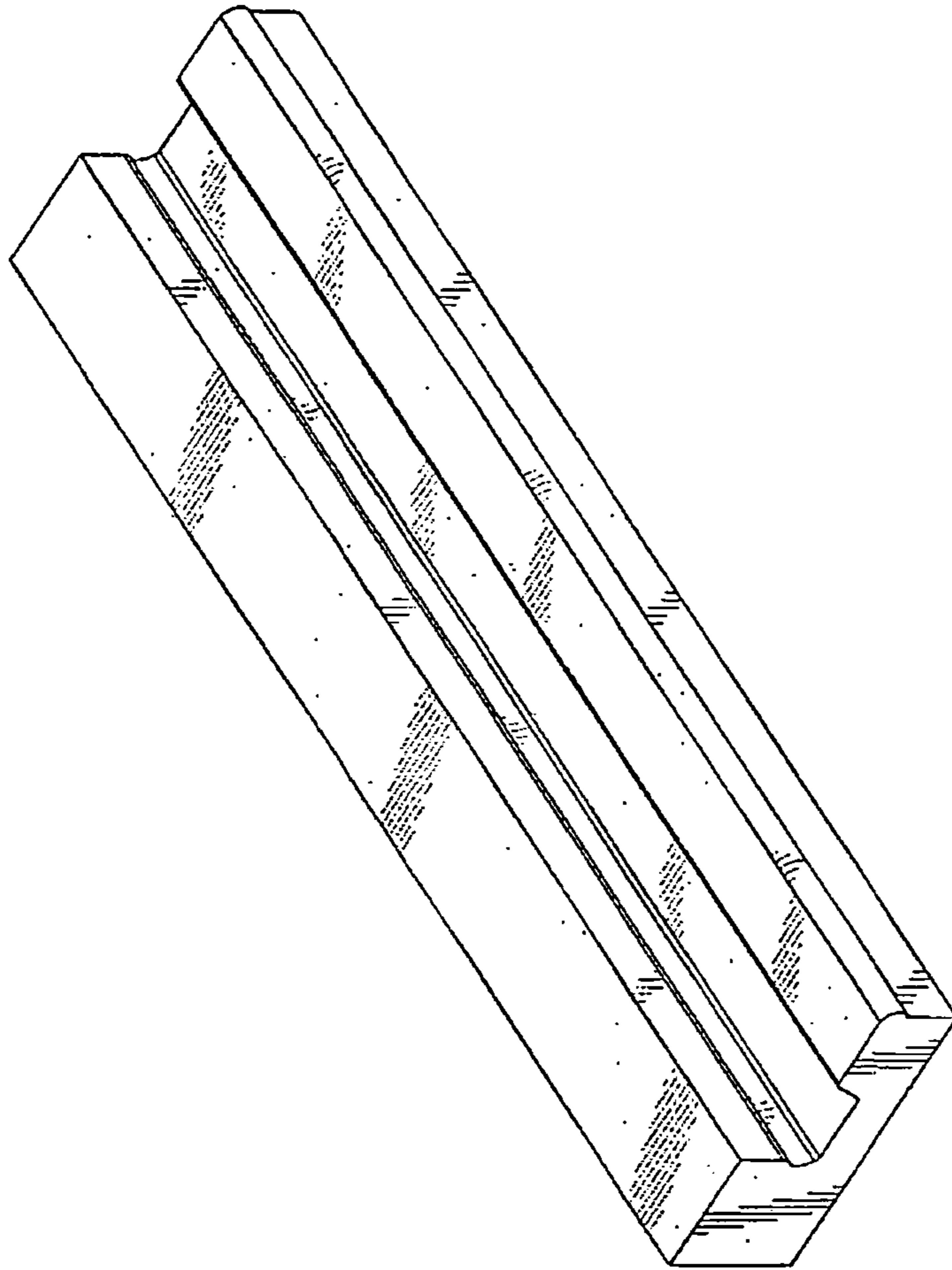


Fig. 1

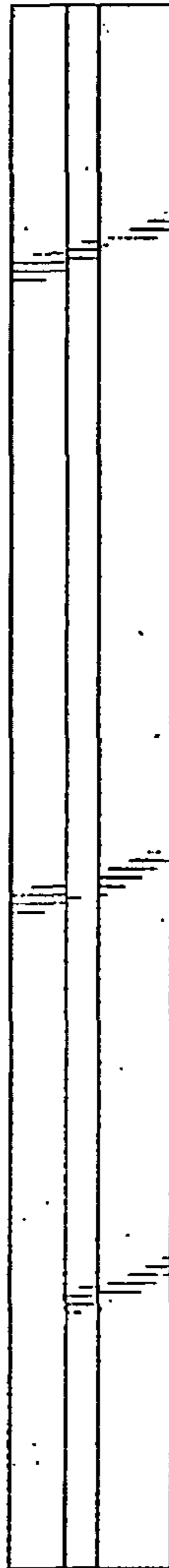


Fig. 2



Fig. 3



Fig. 4



Fig. 5

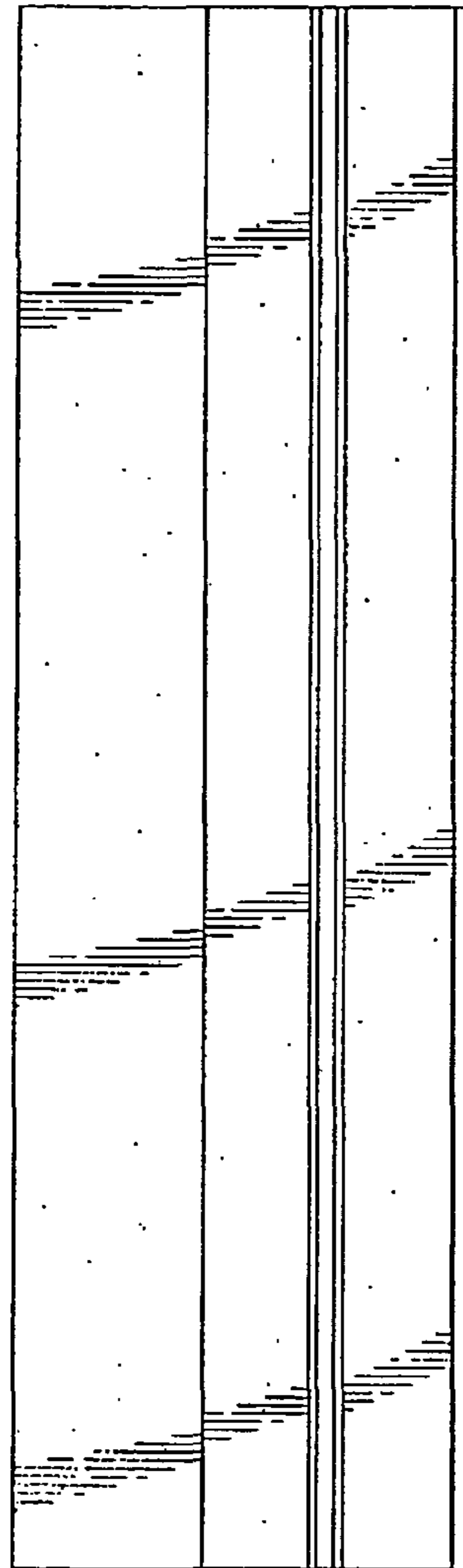


Fig. 6

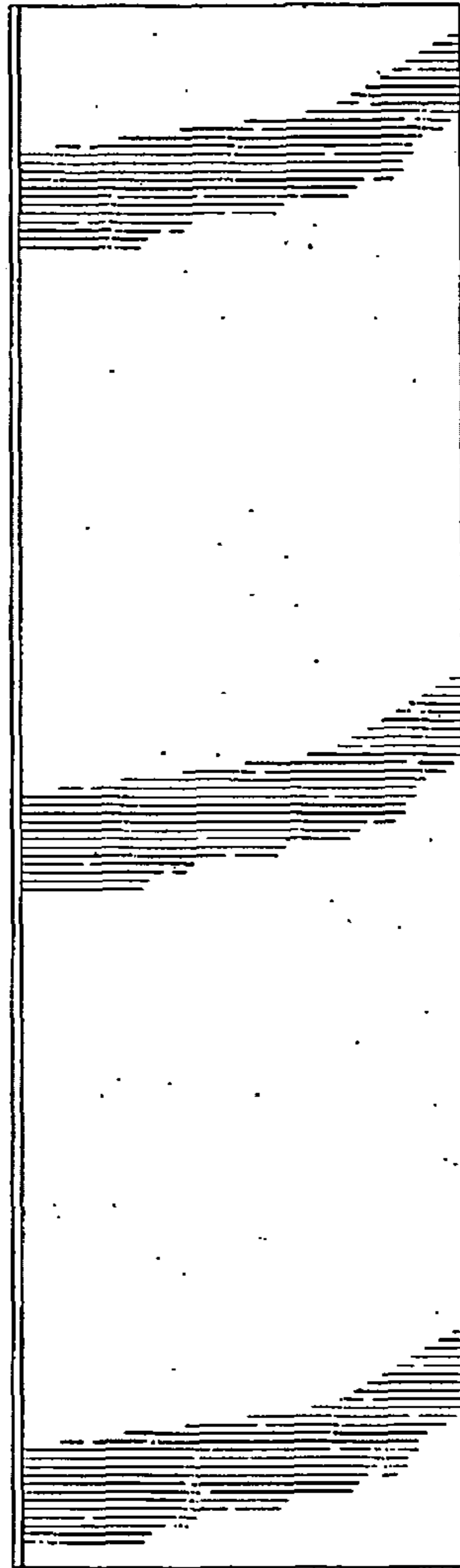


Fig. 7