



US00D712068S

(12) **United States Design Patent**
Wiggins

(10) **Patent No.:** **US D712,068 S**

(45) **Date of Patent:** **** Aug. 26, 2014**

(54) **SAFETY BARRIER WITH HAND RAIL**

(71) Applicant: **Stephen Frank Wiggins**, West Pennant Hills (AU)

(72) Inventor: **Stephen Frank Wiggins**, West Pennant Hills (AU)

(**) Term: **14 Years**

(21) Appl. No.: **29/443,039**

(22) Filed: **Jan. 11, 2013**

(30) **Foreign Application Priority Data**

Jul. 13, 2012 (AU) 13323/2012

(51) **LOC (10) Cl.** **25-02**

(52) **U.S. Cl.**
USPC **D25/38.1**

(58) **Field of Classification Search**
USPC D25/38.1; 256/13.1, 65.02, 14, 17;
404/6; 52/64

See application file for complete search history.

(56) **References Cited**

U.S. PATENT DOCUMENTS

4,638,979 A * 1/1987 Demarest 256/13.1
D569,528 S * 5/2008 Carney D25/38.1
2009/0302288 A1* 12/2009 James 256/13.1

* cited by examiner

Primary Examiner — Doris Clark

(74) *Attorney, Agent, or Firm* — Stefan J. Kirchanski; Venable LLP

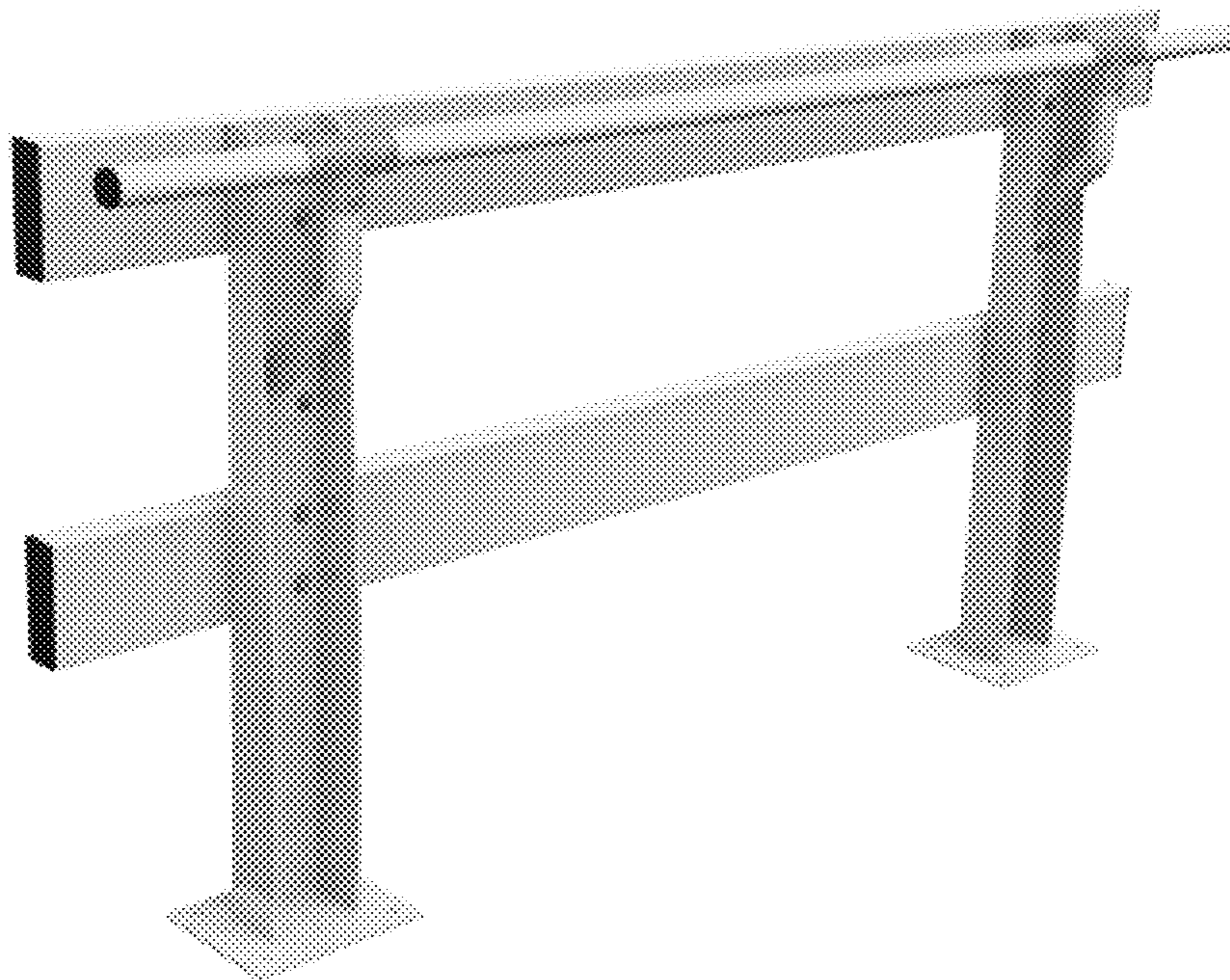
(57) **CLAIM**

I claim the ornamental design for a safety barrier with hand rail, as shown and described.

DESCRIPTION

FIG. 1 is a left perspective view of a safety barrier with hand rail showing my design;
FIG. 2 is a side elevation view of the safety barrier with hand rail of FIG. 1;
FIG. 3 is a top view of the safety barrier with hand rail of FIG. 1;
FIG. 4 is a bottom view of the safety barrier with hand rail of FIG. 1;
FIG. 5 is a back view of the safety barrier with hand rail of FIG. 1; and,
FIG. 6 is a front view of the safety barrier with hand rail of FIG. 1.

1 Claim, 6 Drawing Sheets



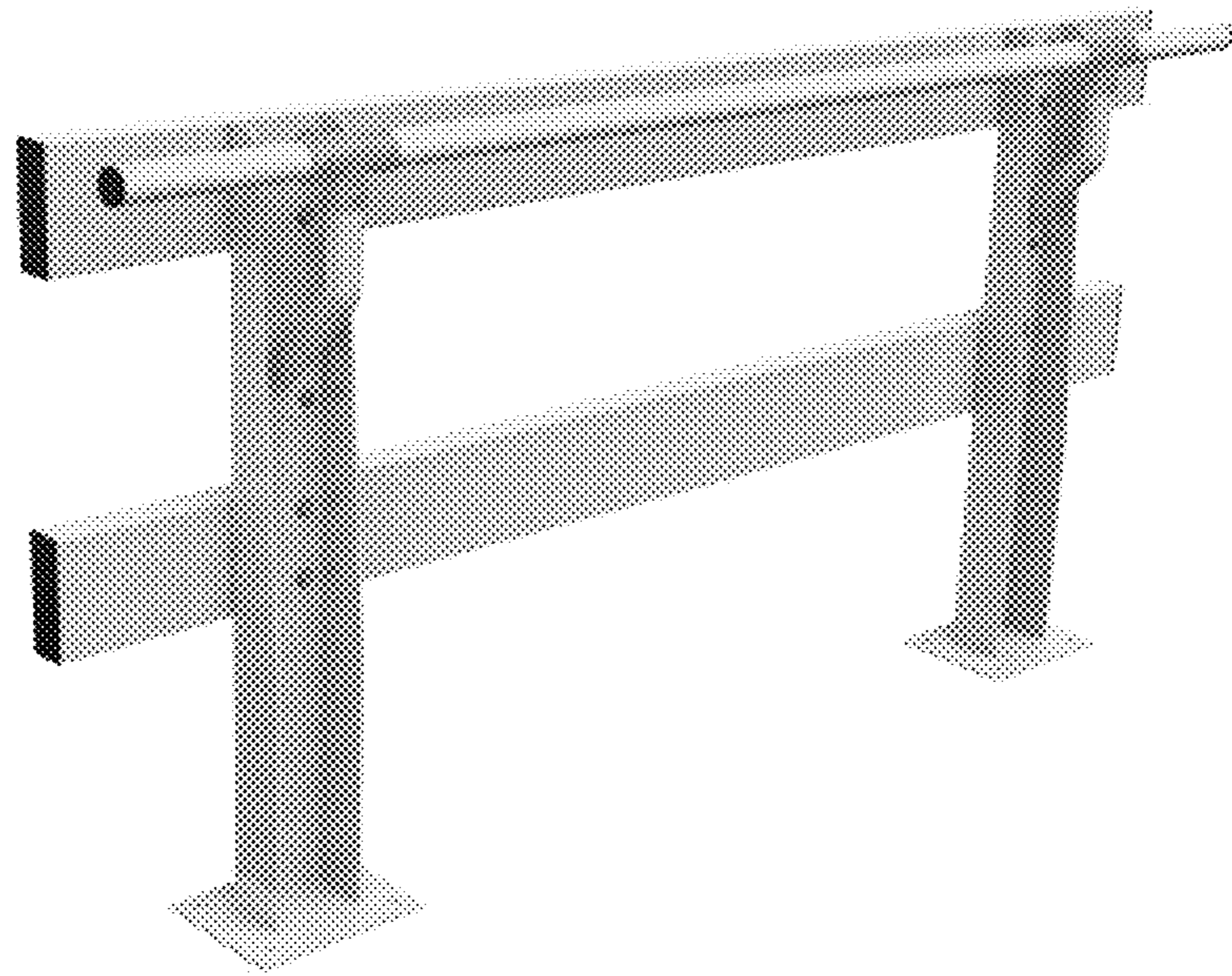


Fig. 1

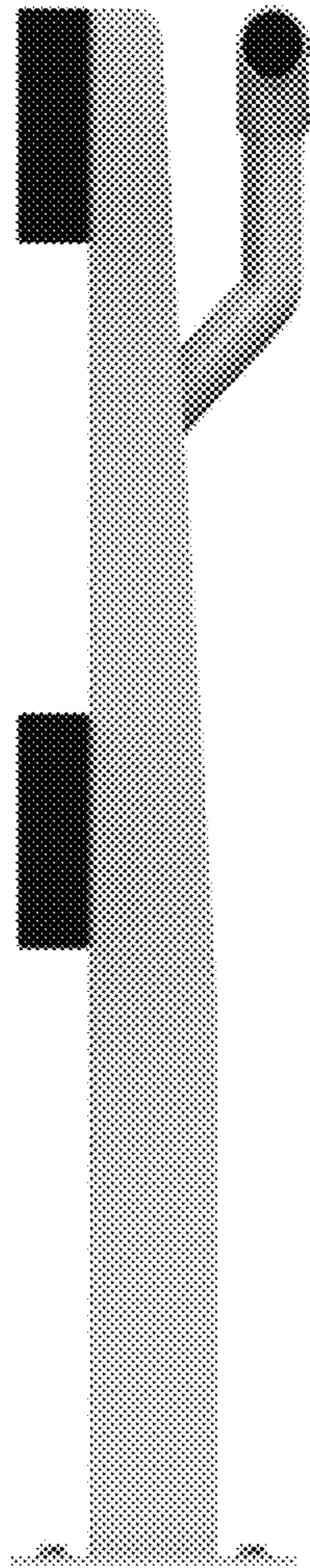


Fig. 2



Fig. 3



Fig. 4



Fig. 5

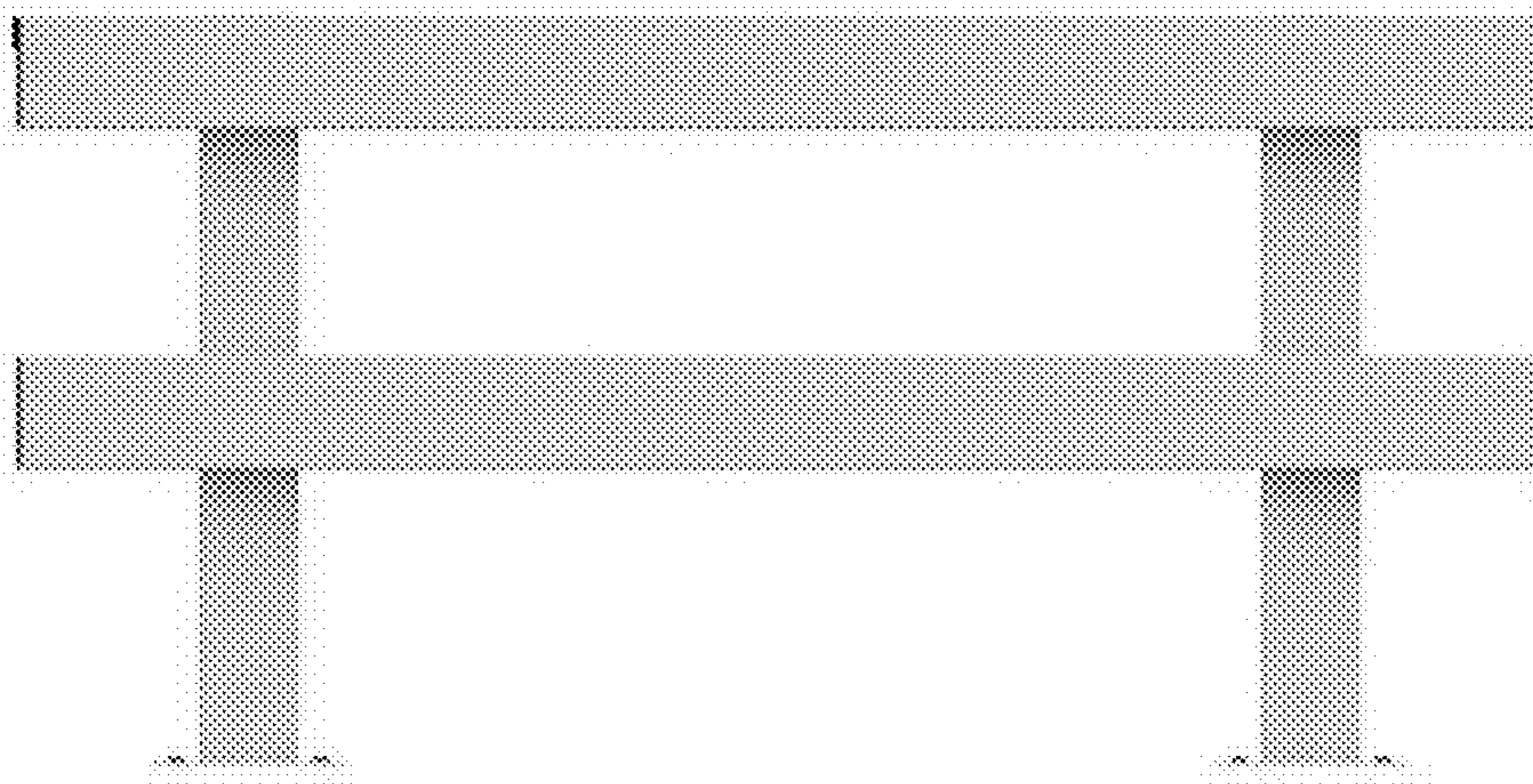


Fig. 6