

US00D712062S

(12) **United States Design Patent**
Austria

(10) **Patent No.:** **US D712,062 S**

(45) **Date of Patent:** **** Aug. 26, 2014**

(54) **NEEDLE COUNTER WITH DETACHABLE TRANSFER TRAY**

(71) Applicant: **Georgene Austria**, Calabasas, CA (US)

(72) Inventor: **Georgene Austria**, Calabasas, CA (US)

(**) Term: **14 Years**

(21) Appl. No.: **29/479,000**

(22) Filed: **Jan. 10, 2014**

(51) **LOC (10) Cl.** **24-01**

(52) **U.S. Cl.**
USPC **D24/231**

(58) **Field of Classification Search**

USPC D24/420, 423, 171, 170, 221, 231, 219,
D24/216, 214, 213, 212, 199, 108, 110,
D24/110.5, 121, 125, 127, 128, 129, 140,
D24/226, 227, 229, 218, 215, 142, 178, 181,
D24/190, 192, 191, 146-149, 153, 154;
D10/114.9, 121, 46, 46.1, 64, 78, 80,
D10/85, 94, 103; D2/919, 916, 932, 907,
D2/909, 913, 917, 920, 954, 989, 991;
D18/53; D28/35, 37, 39, 43, 99;
D9/420, 423; 206/63.3, 366, 369, 370,
206/380, 382, 383, 388; 422/63, 68.1, 78;
433/140; 128/857, 206.29; 604/184,
604/185, 218, 207, 198, 134, 137; 83/873,
83/875, 86, 120; 601/19, 22, 27-29, 39,
601/104, 135; 606/71, 74, 321, 327;
D3/203.6, 203.7, 203.1

See application file for complete search history.

(56) **References Cited**

U.S. PATENT DOCUMENTS

3,380,573 A * 4/1968 Gulotta 206/370
4,318,473 A 3/1982 Sandel

D273,615 S 4/1984 Maskrey
D275,833 S * 10/1984 Malpass D3/203.3
5,024,326 A 6/1991 Sandel et al.
D327,743 S * 7/1992 Frenkel et al. D24/229
5,193,678 A * 3/1993 Janocik et al. 206/363
5,346,677 A 9/1994 Risk
5,482,067 A 1/1996 Wittrock et al.

(Continued)

OTHER PUBLICATIONS

Tyco Industries Medical Catalogue detailing their needle counters.

(Continued)

Primary Examiner — Ian Simmons

Assistant Examiner — Rhea Shields

(74) *Attorney, Agent, or Firm* — Ken Dallara; Law Office of Ken Dallara

(57) **CLAIM**

The ornamental design of a needle counter with detachable transfer tray, as shown and described.

DESCRIPTION

FIG. 1 is the top isometric elevation view of the closed needle counter with detachable transfer tray showing our new design;

FIG. 2 is a top plan view of the closed tray, thereof;

FIG. 3 is a top plan view of the open tray, thereof;

FIG. 4 is the top isometric elevation view of the open tray, thereof;

FIG. 5 is the right side elevation of the open tray, thereof;

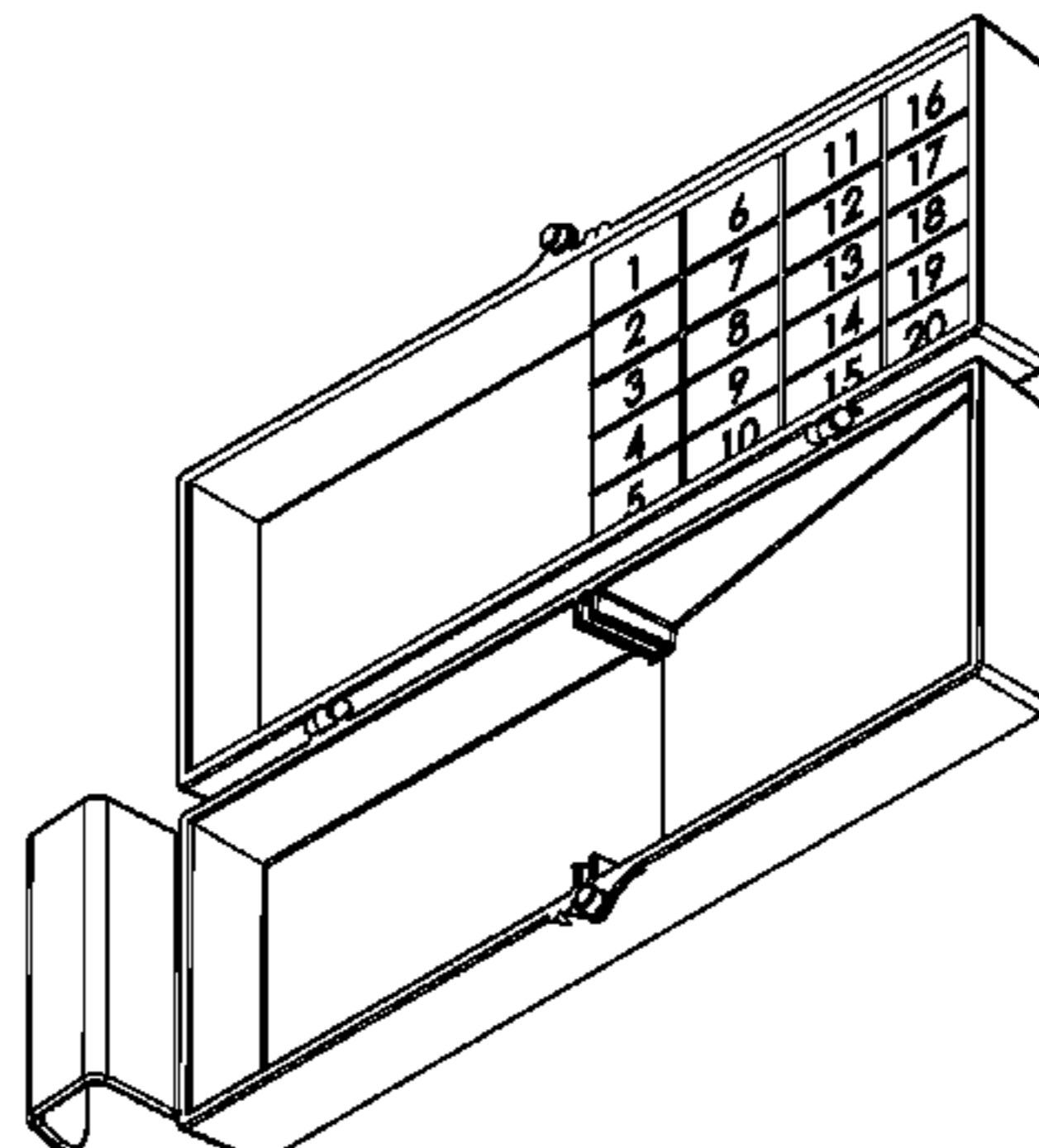
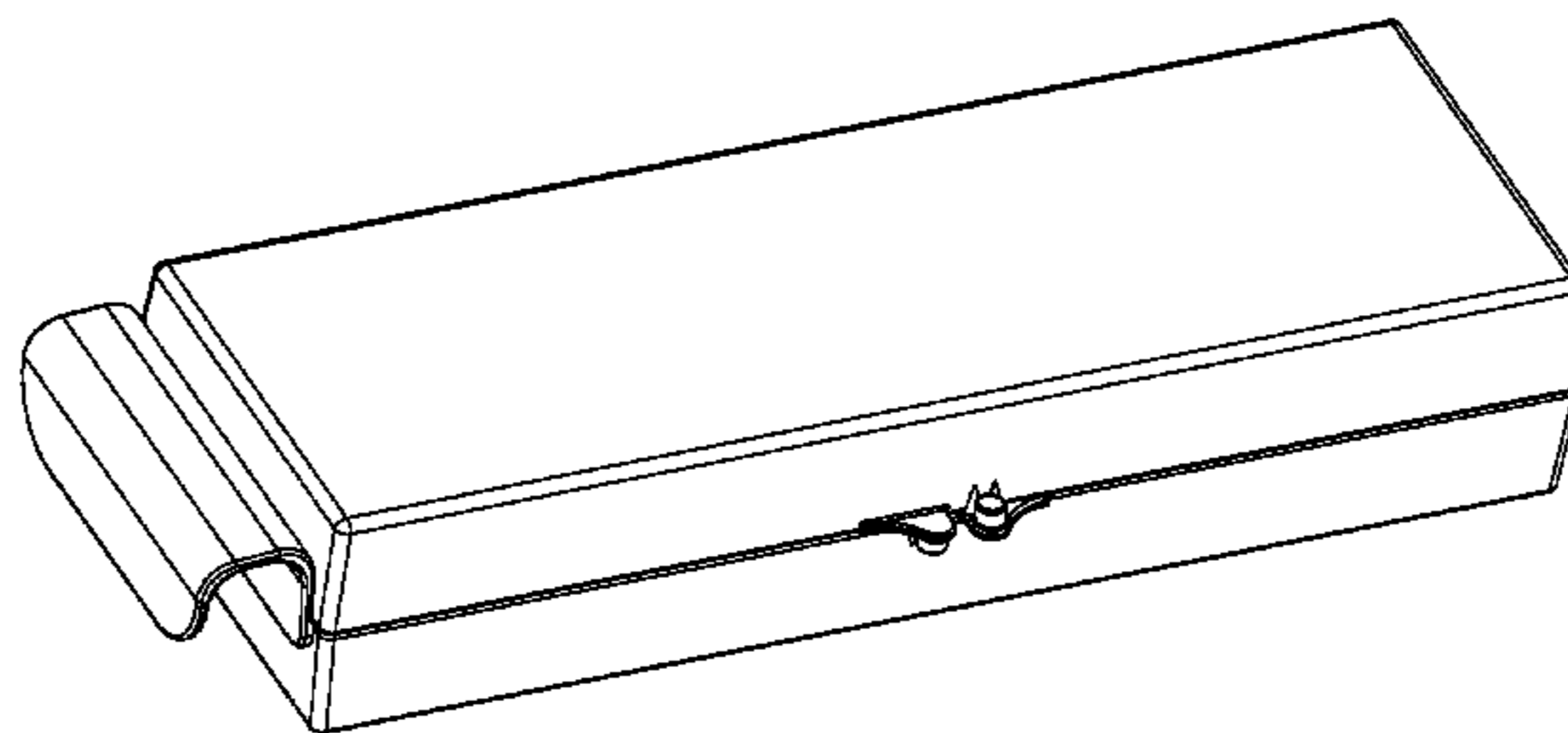
FIG. 6 is the left side elevation of the open tray, thereof;

FIG. 7 is the front elevation view of the open tray, thereof;

FIG. 8 is the rear elevation view of the open tray, thereof; and,

FIG. 9 is an bottom view of the bottom of the open tray thereof.

1 Claim, 4 Drawing Sheets



(56)

References Cited

U.S. PATENT DOCUMENTS

D369,295 S * 4/1996 Kobari et al. D9/423
D374,282 S 10/1996 Hoftman
D376,647 S 12/1996 Marsh et al.
5,791,472 A 8/1998 Davis
D441,192 S * 5/2001 Park D3/294
D169,796 S 5/2004 Koseki
7,070,051 B2 * 7/2006 Kanner et al. 206/382
7,303,568 B2 12/2007 Jannot
D568,491 S 5/2008 Koseki

D568,492 S * 5/2008 Koseki D24/231
D568,493 S * 5/2008 Koseki D24/231
7,441,655 B1 10/2008 Hoftman
D621,502 S * 8/2010 Downs D24/128
D630,317 S * 1/2011 Wung D24/128
2007/0039845 A1 2/2007 Kaforey et al.
2008/0272023 A1 11/2008 McCormick et al.

OTHER PUBLICATIONS

Xodus Medical Catalogue detailing their needle counters.
ADV Medical Catalogue detailing their needle counters.

* cited by examiner

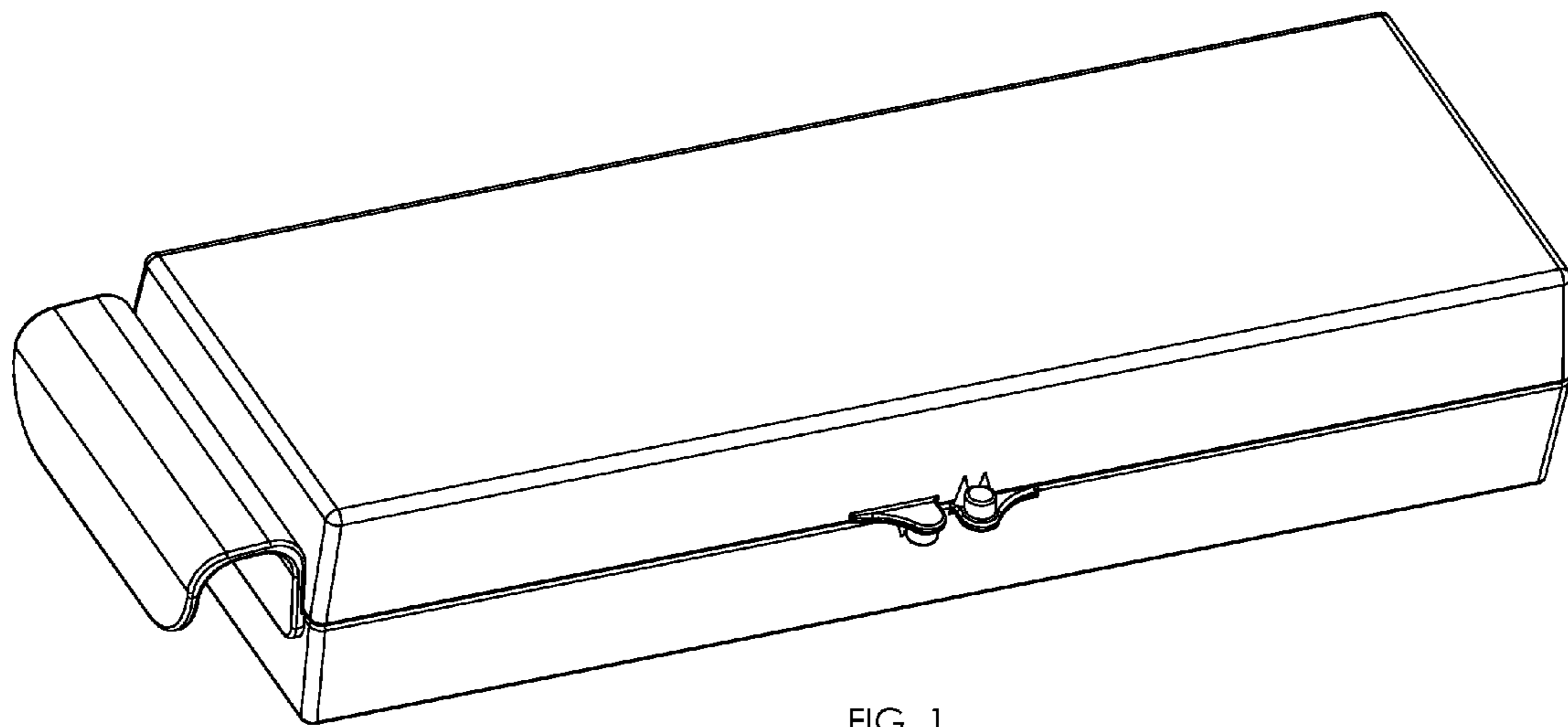


FIG. 1

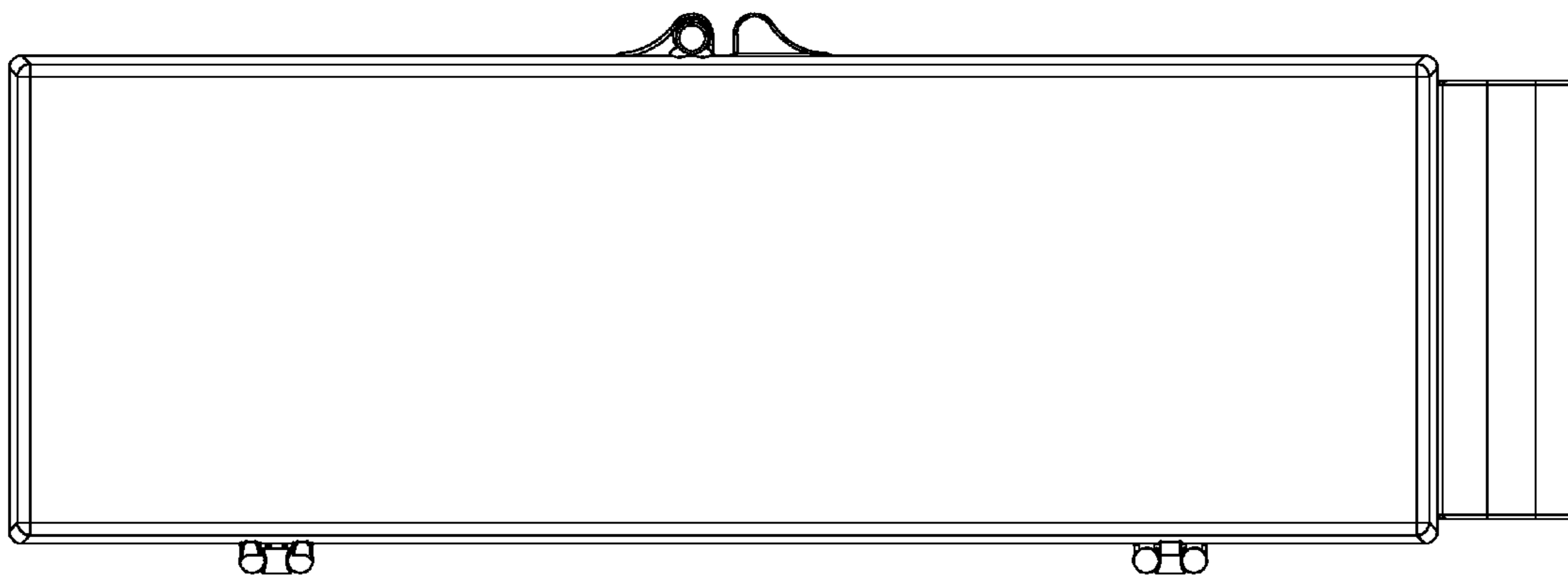


FIG. 2

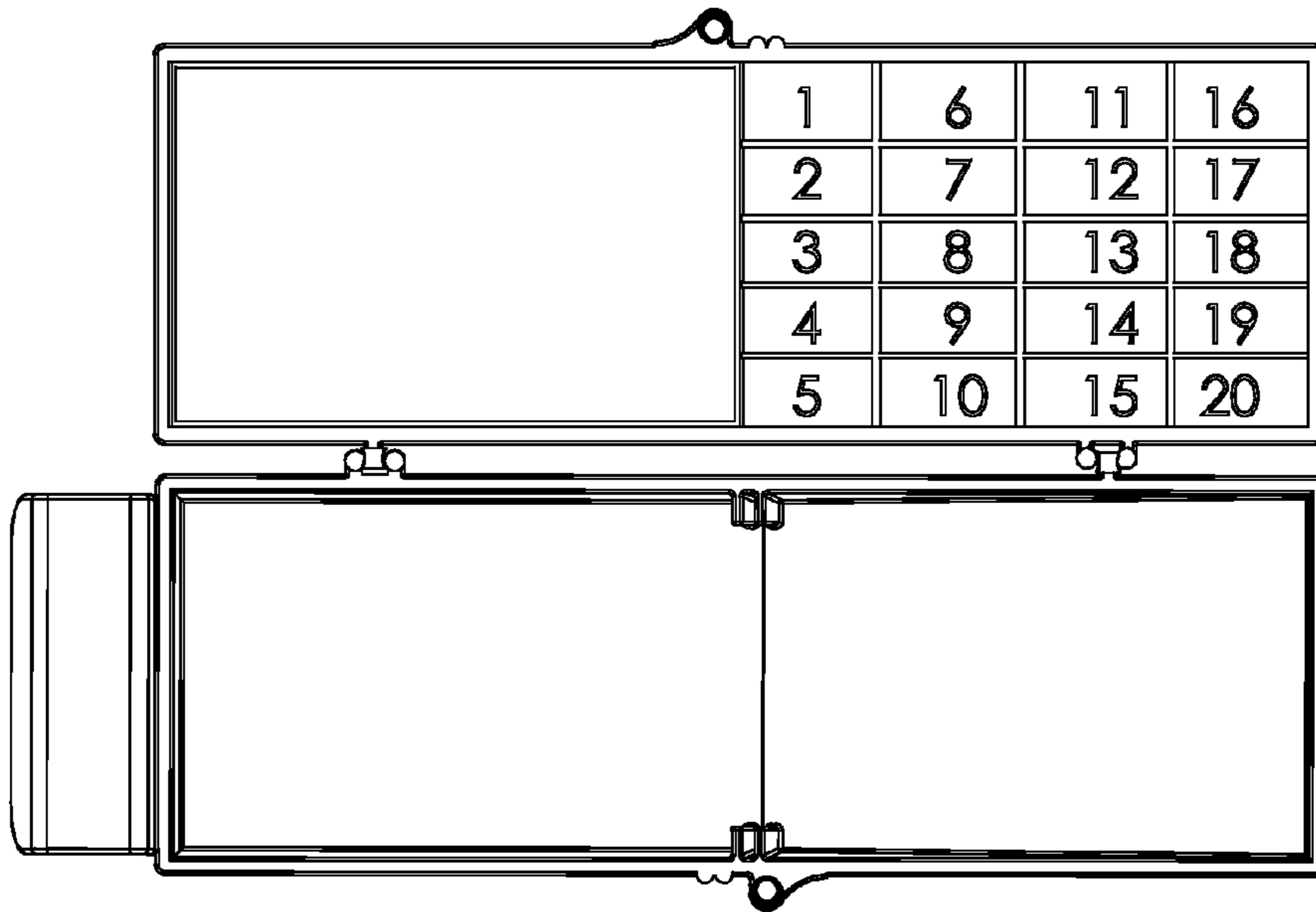


FIG. 3

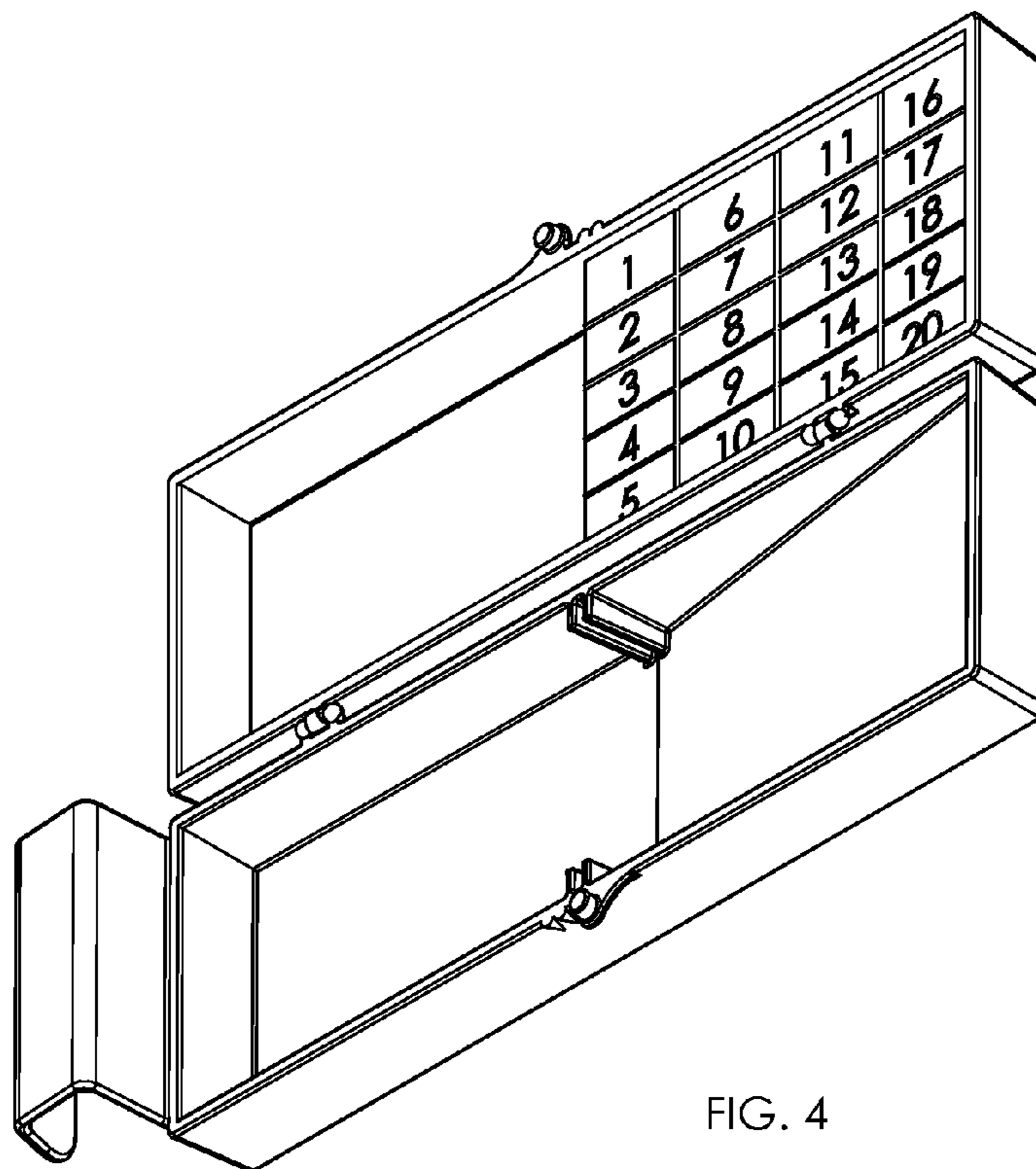


FIG. 4

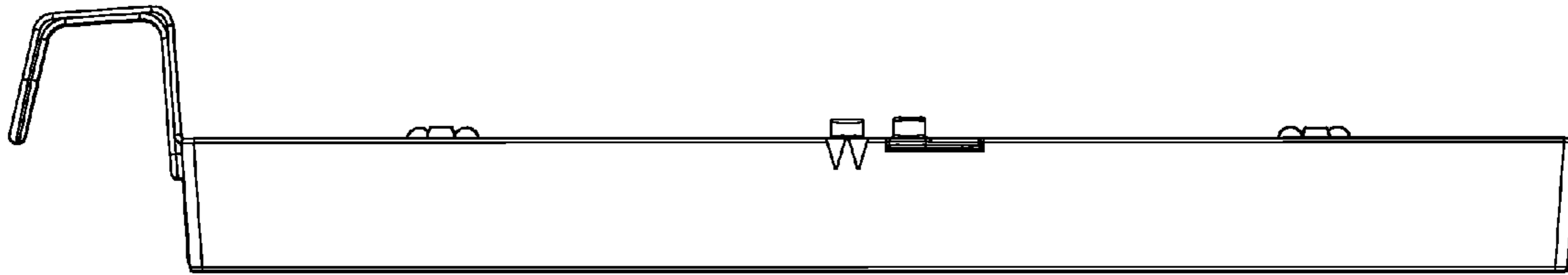


FIG. 5

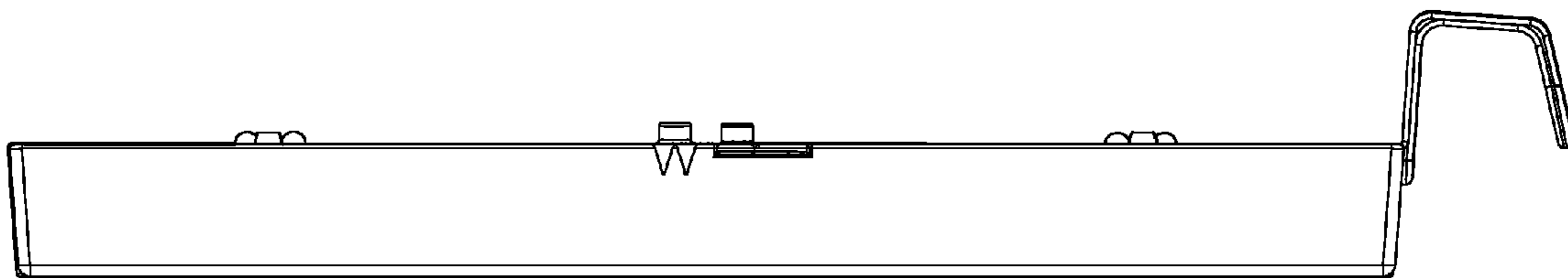


FIG. 6

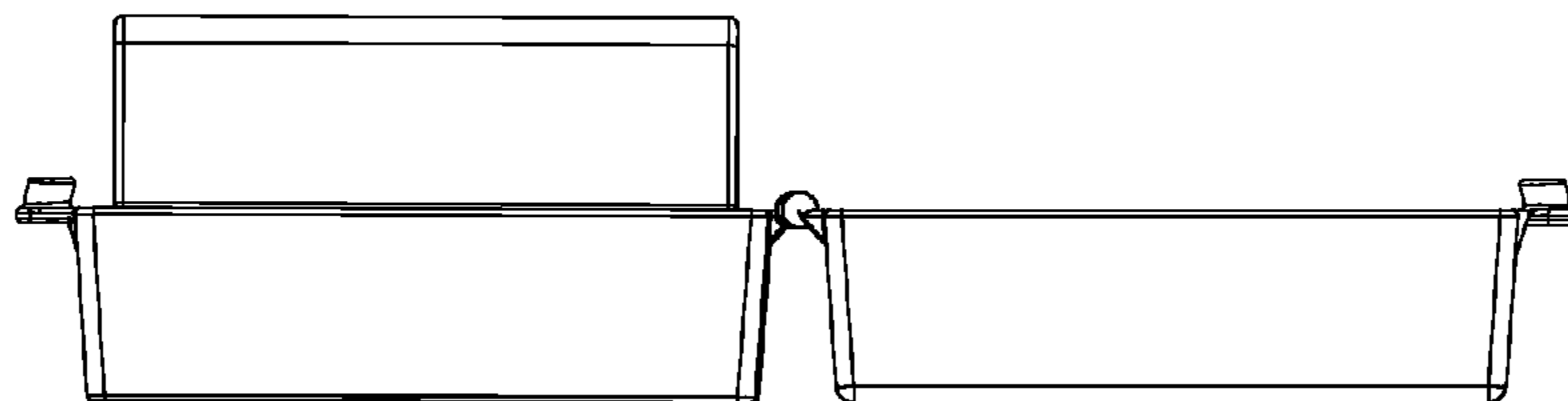


FIG. 7

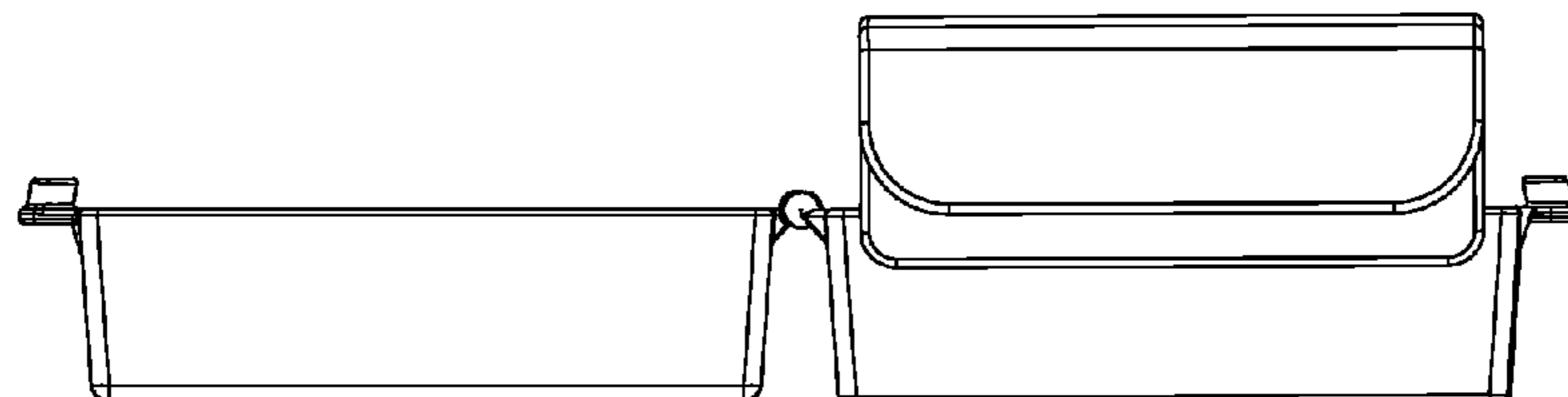


FIG. 8

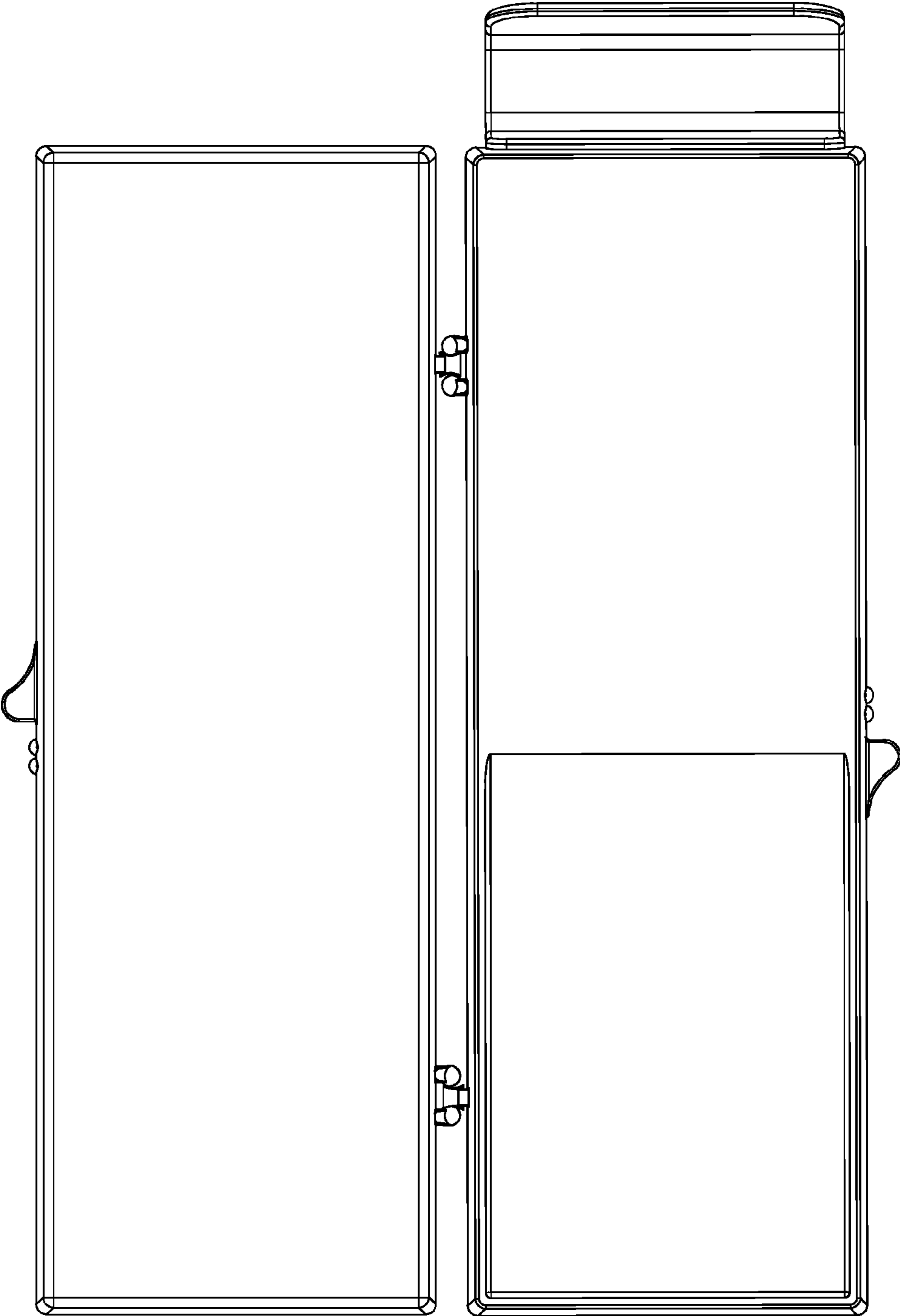


FIG. 9