



US00D712061S

(12) **United States Design Patent**  
**Hicks et al.**

(10) **Patent No.:** **US D712,061 S**

(45) **Date of Patent:** **\*\* Aug. 26, 2014**

(54) **ORTHOPEDIC CASE**

(71) Applicant: **Solvay Specialty Polymers USA, LLC**,  
Alpharetta, GA (US)

(72) Inventors: **James Hicks**, Lawrenceville, GA (US);  
**Sandra Bonnema**, Den Haag (NL);  
**Alexander Petrus Maria Paulen**, Den Haag (NL)

(73) Assignee: **Solvay Specialty Polymers USA, LLC**,  
Alpharetta, GA (US)

(\*\*) Term: **14 Years**

(21) Appl. No.: **29/447,881**

(22) Filed: **Mar. 7, 2013**

(51) **LOC (10) Cl.** ..... **24-02**

(52) **U.S. Cl.**  
USPC ..... **D24/227**

(58) **Field of Classification Search**  
USPC ..... D24/216, 217, 222, 224–230;  
D3/203.1; 422/26, 297, 300, 301, 302,  
422/99–104, 63–64; 206/363, 366, 370,  
206/438, 443, 563, 446; 220/256.1, 805,  
220/362; 211/69, 71–74

See application file for complete search history.

(56) **References Cited**

**U.S. PATENT DOCUMENTS**

D282,577	S *	2/1986	Neumeister	.....	D24/229
D288,234	S *	2/1987	Blatherwick et al.	.....	D24/230
D339,424	S *	9/1993	Riley	.....	D24/230
D360,697	S *	7/1995	Riihimaki et al.	.....	D24/217
D387,874	S *	12/1997	Vila	.....	D24/227
6,019,225	A *	2/2000	Kalmakis et al.	.....	206/563
6,116,452	A *	9/2000	Hamel et al.	.....	220/318
6,193,932	B1 *	2/2001	Wu et al.	.....	422/28
6,640,981	B2 *	11/2003	Lafond et al.	.....	211/74
6,783,004	B1 *	8/2004	Rinner	.....	206/368
6,875,405	B1 *	4/2005	Mathus et al.	.....	422/562
D518,288	S *	4/2006	Shoemaker et al.	.....	D3/203.7
D518,289	S *	4/2006	Allen et al.	.....	D3/203.7

D526,064	S *	8/2006	Wood	.....	D24/229
D557,814	S *	12/2007	Glenn et al.	.....	D24/217
D589,626	S *	3/2009	Petersen	.....	D24/230
D632,803	S *	2/2011	Motadel et al.	.....	D24/229
7,922,672	B2 *	4/2011	Hein et al.	.....	600/566
D647,628	S *	10/2011	Helfteren	.....	D24/229
D658,777	S *	5/2012	Sweet et al.	.....	D24/217

**OTHER PUBLICATIONS**

U.S. Appl. No. 29/447,855, James Hicks, et al., filed Mar. 7, 2013.

\* cited by examiner

*Primary Examiner* — T. Chase Nelson

*Assistant Examiner* — Mark Cavanna

(74) *Attorney, Agent, or Firm* — Xuping Fu

(57) **CLAIM**

The ornamental design for an orthopedic case, as shown and described.

**DESCRIPTION**

FIG. 1 is an assembled top perspective view of an orthopedic case showing our new design;

FIG. 2 is an assembled bottom perspective view thereof;

FIG. 3 is an assembled front view thereof; the back being a mirror image;

FIG. 4 is an assembled left side view thereof; the right side being a mirror image;

FIG. 5 is an assembled top plan view thereof;

FIG. 6 is an assembled bottom plan view thereof;

FIG. 7 is an exploded top perspective view thereof;

FIG. 8 is an exploded bottom perspective view thereof;

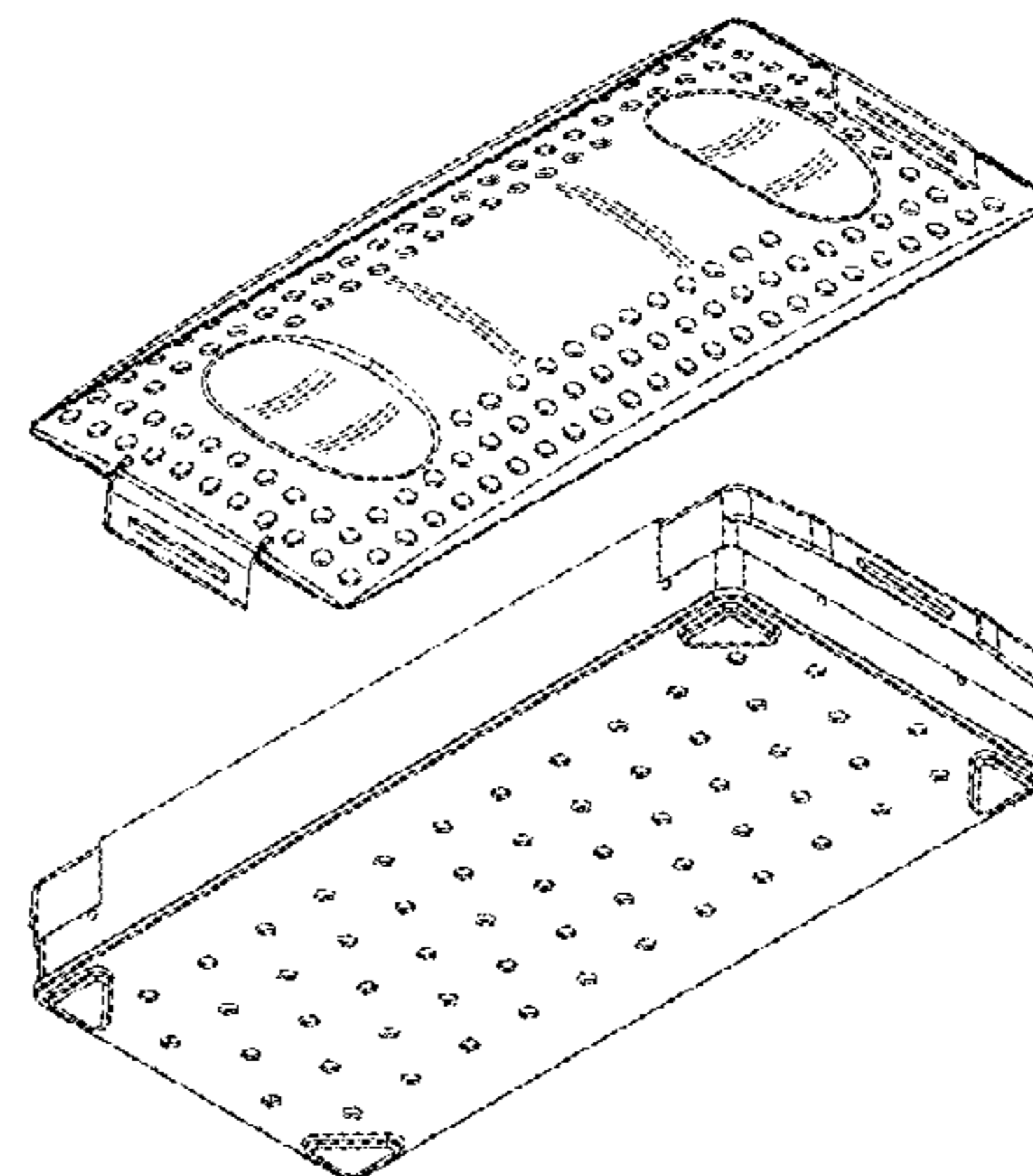
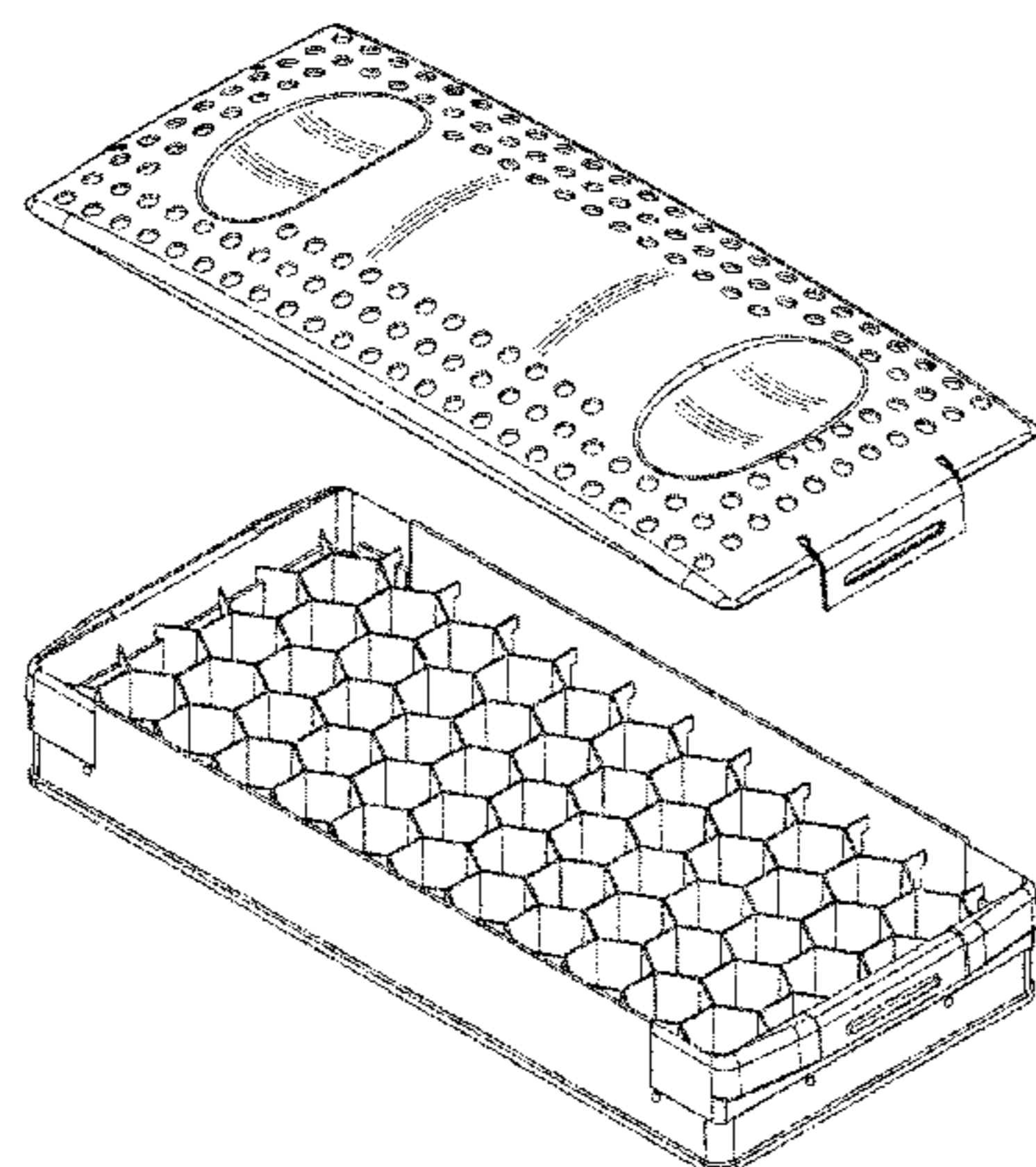
FIG. 9 is an exploded front view thereof; the back being a mirror image;

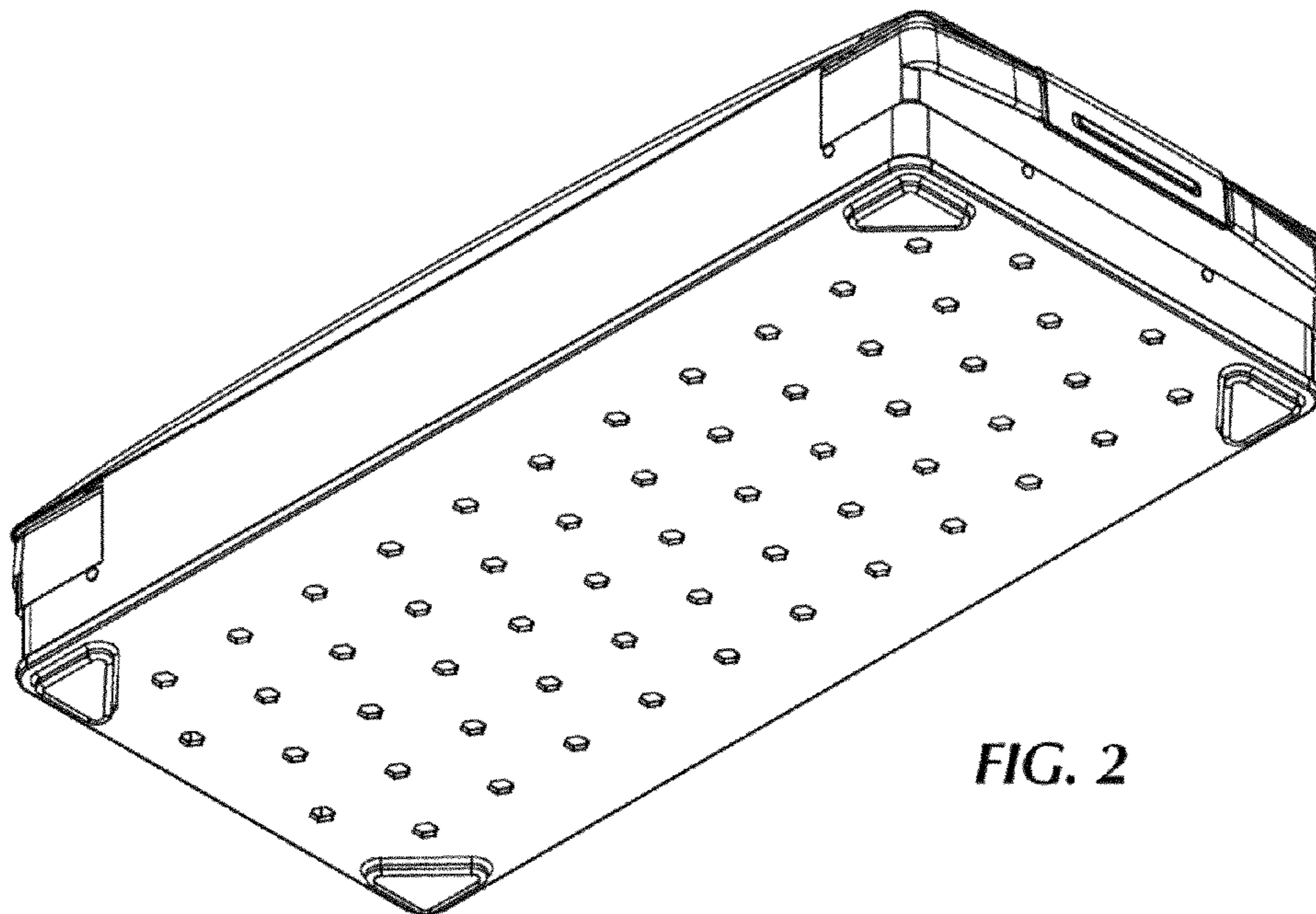
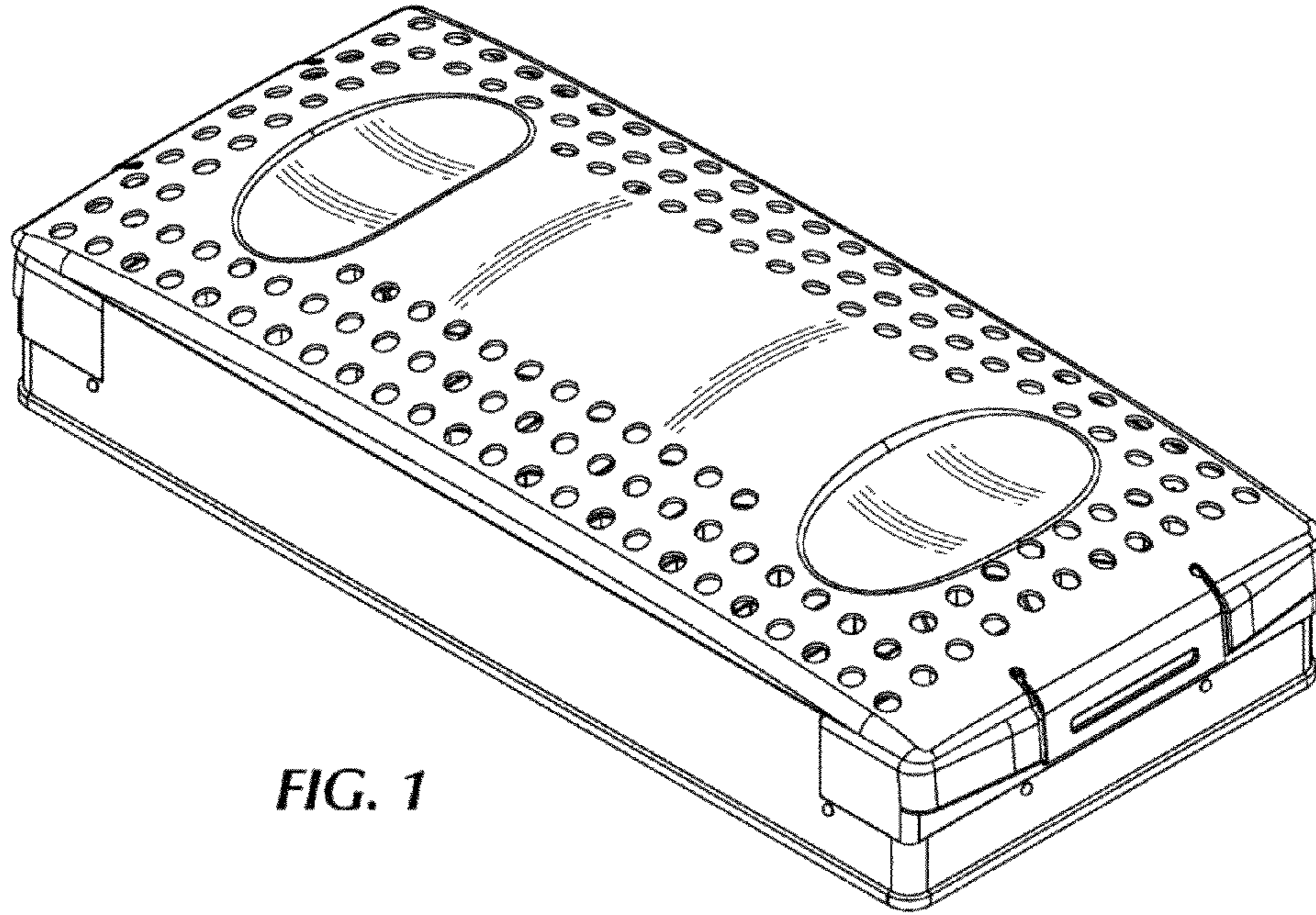
FIG. 10 is an exploded left side view thereof; the right side being a mirror image;

FIG. 11 is a top plan view of the tray of the orthopedic case showing our new design; and,

FIG. 12 is a bottom plan view of the lid of the orthopedic case showing our new design.

**1 Claim, 7 Drawing Sheets**





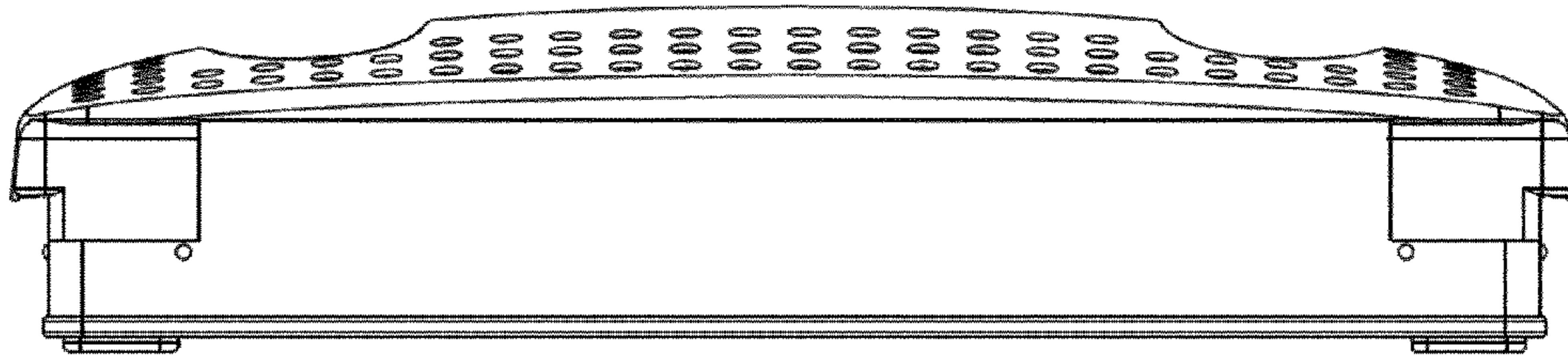


FIG. 3

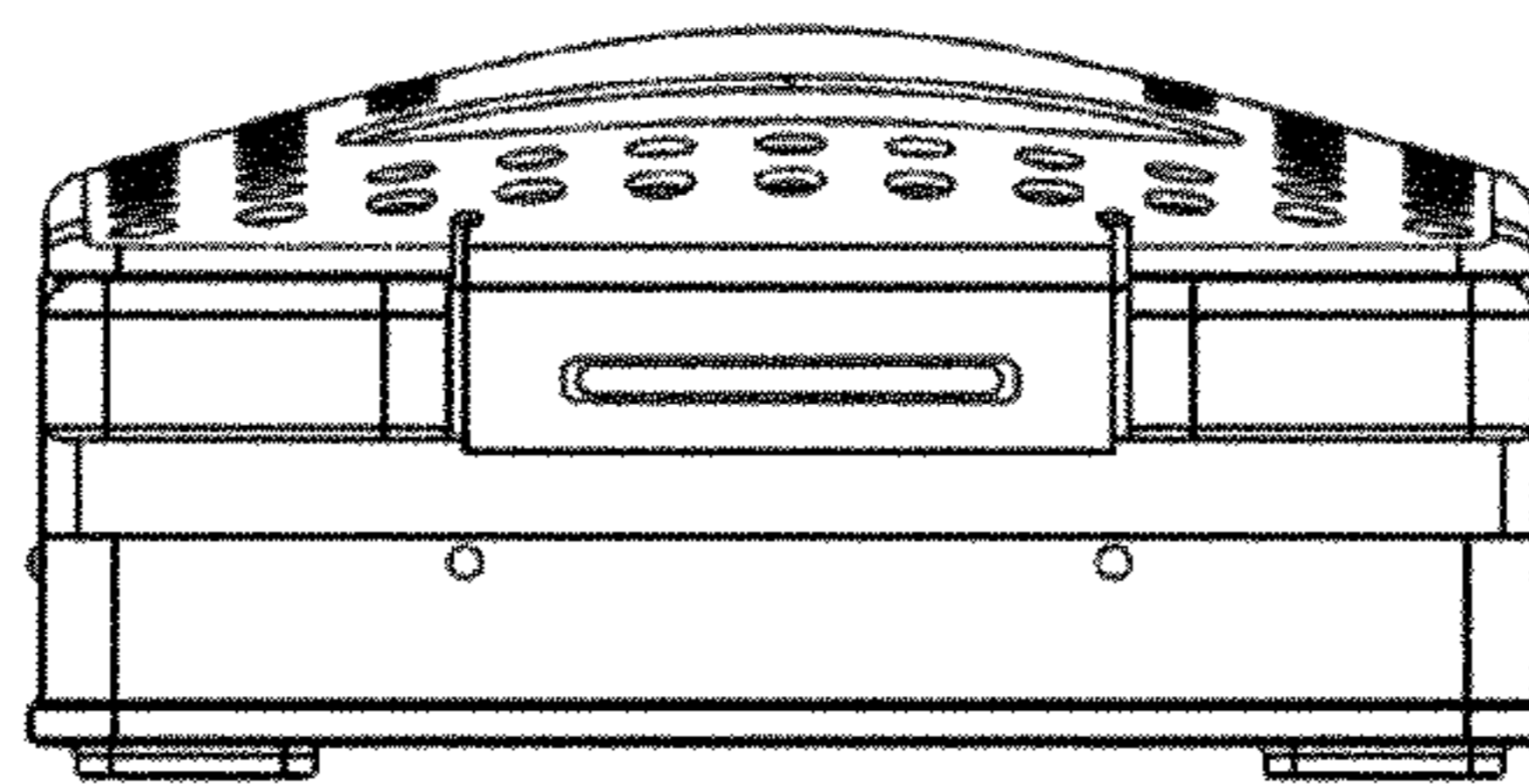


FIG. 4

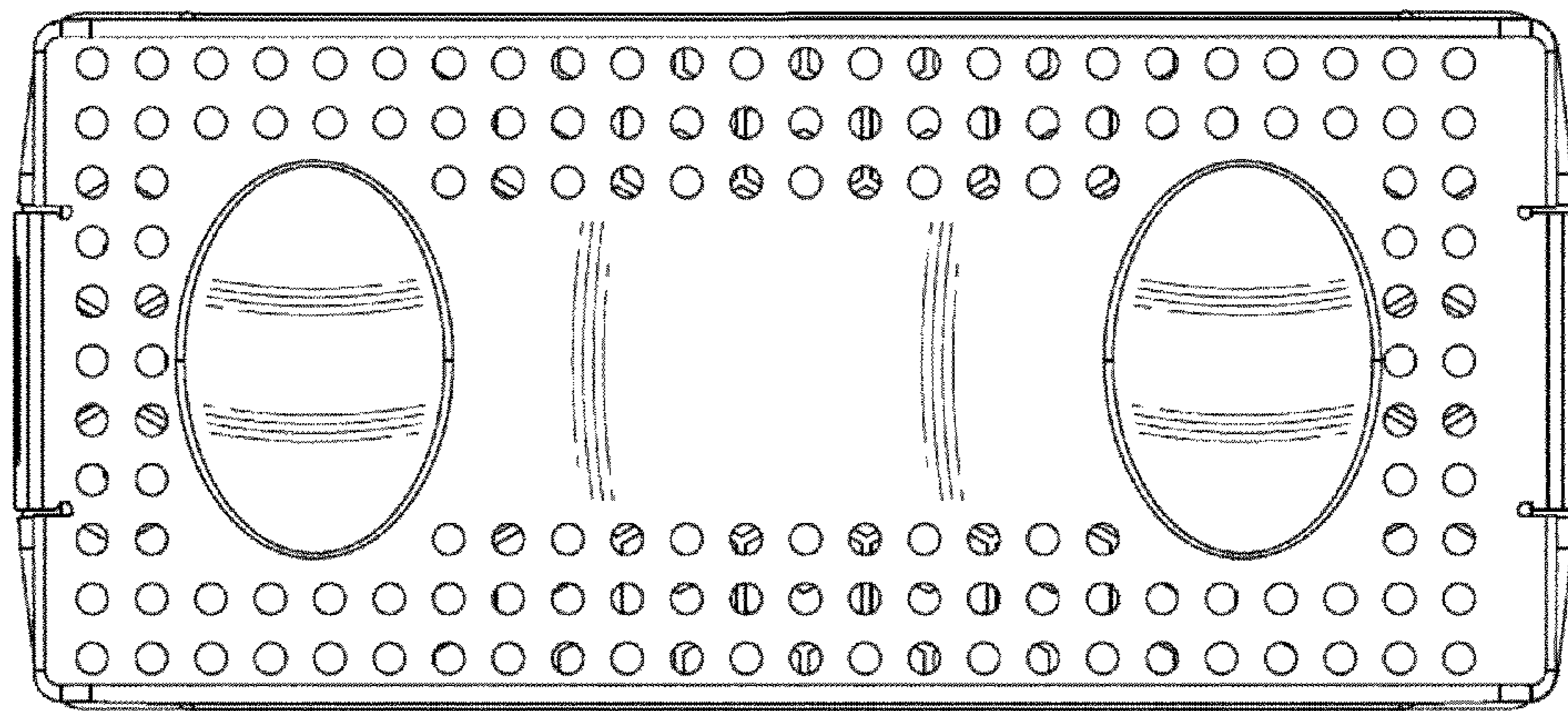


FIG. 5

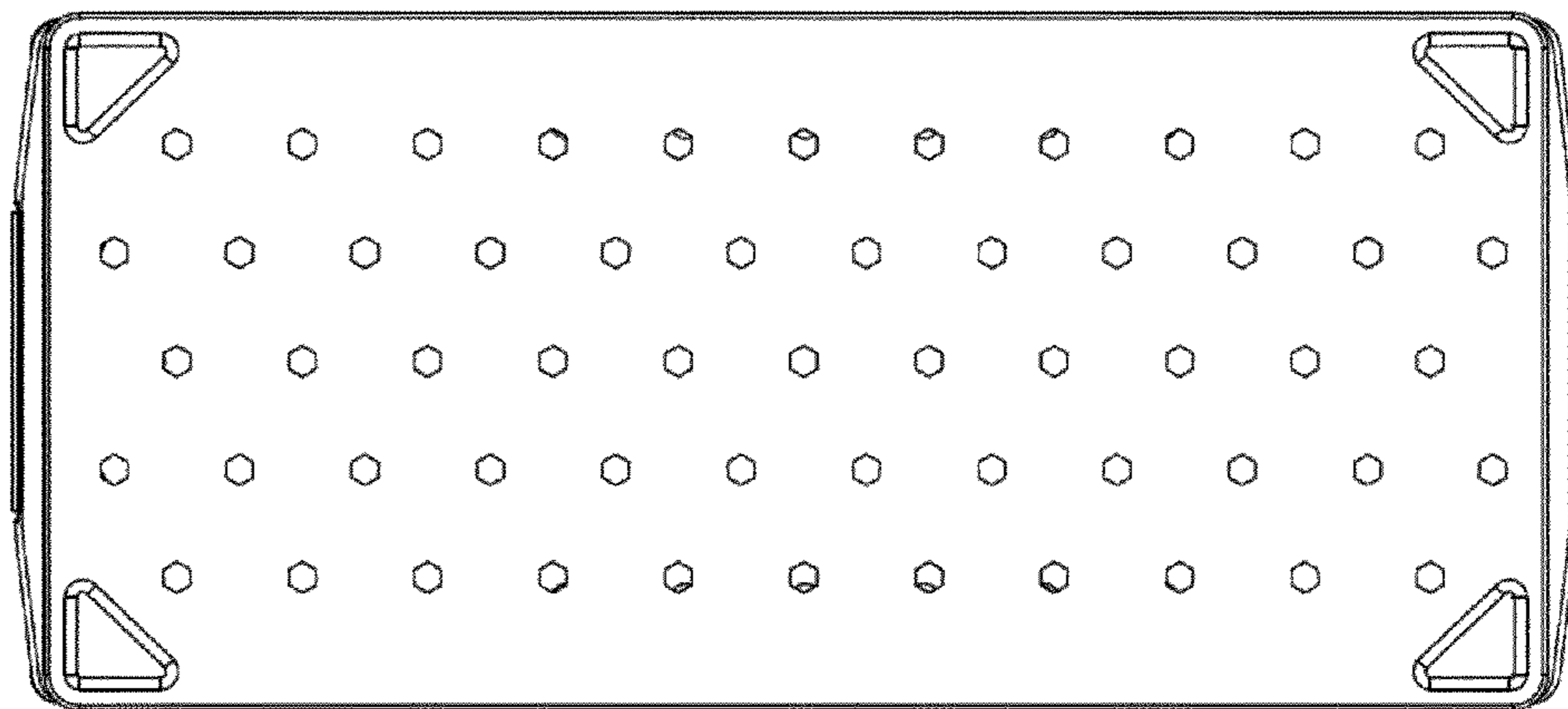


FIG. 6

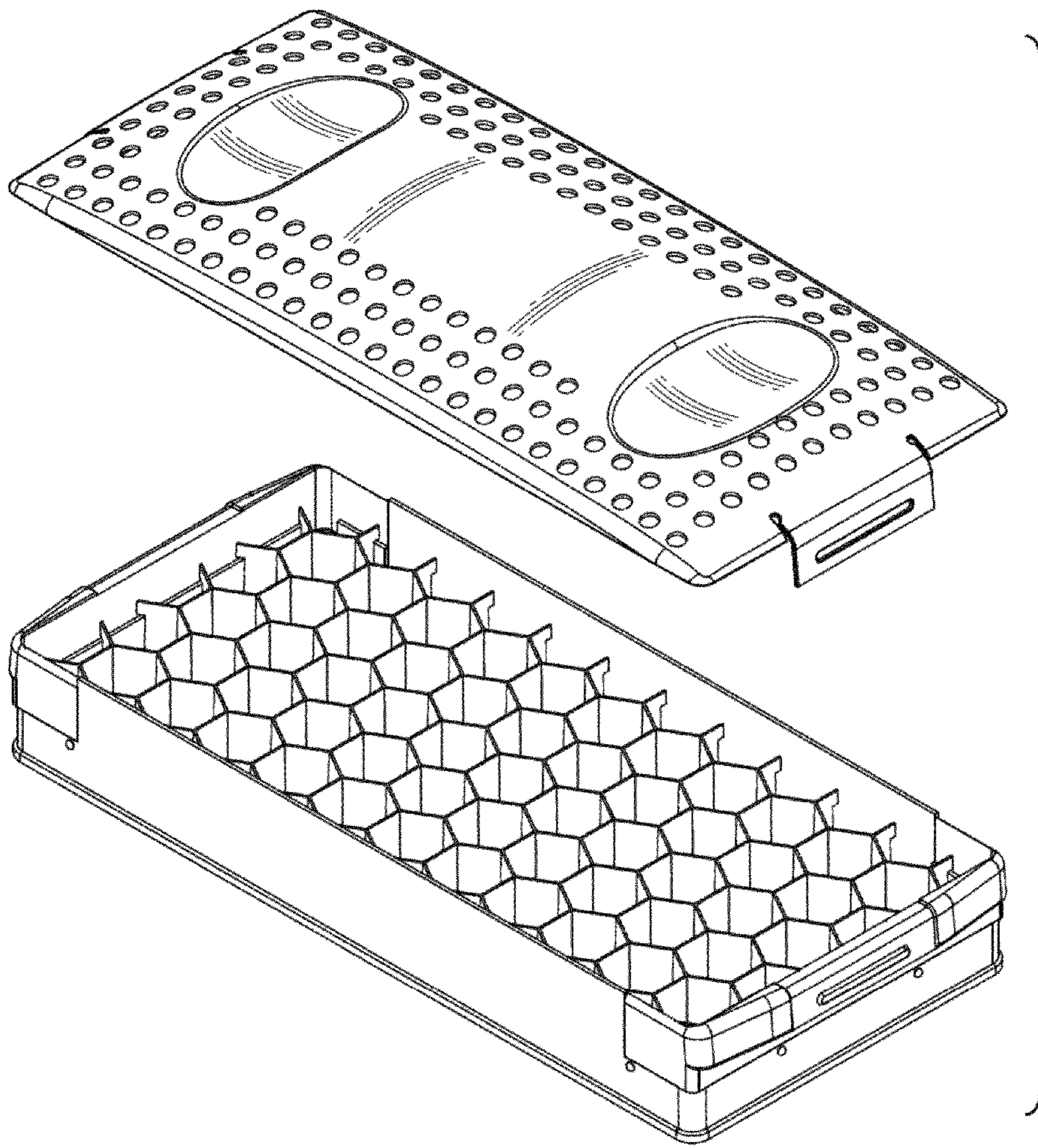


FIG. 7

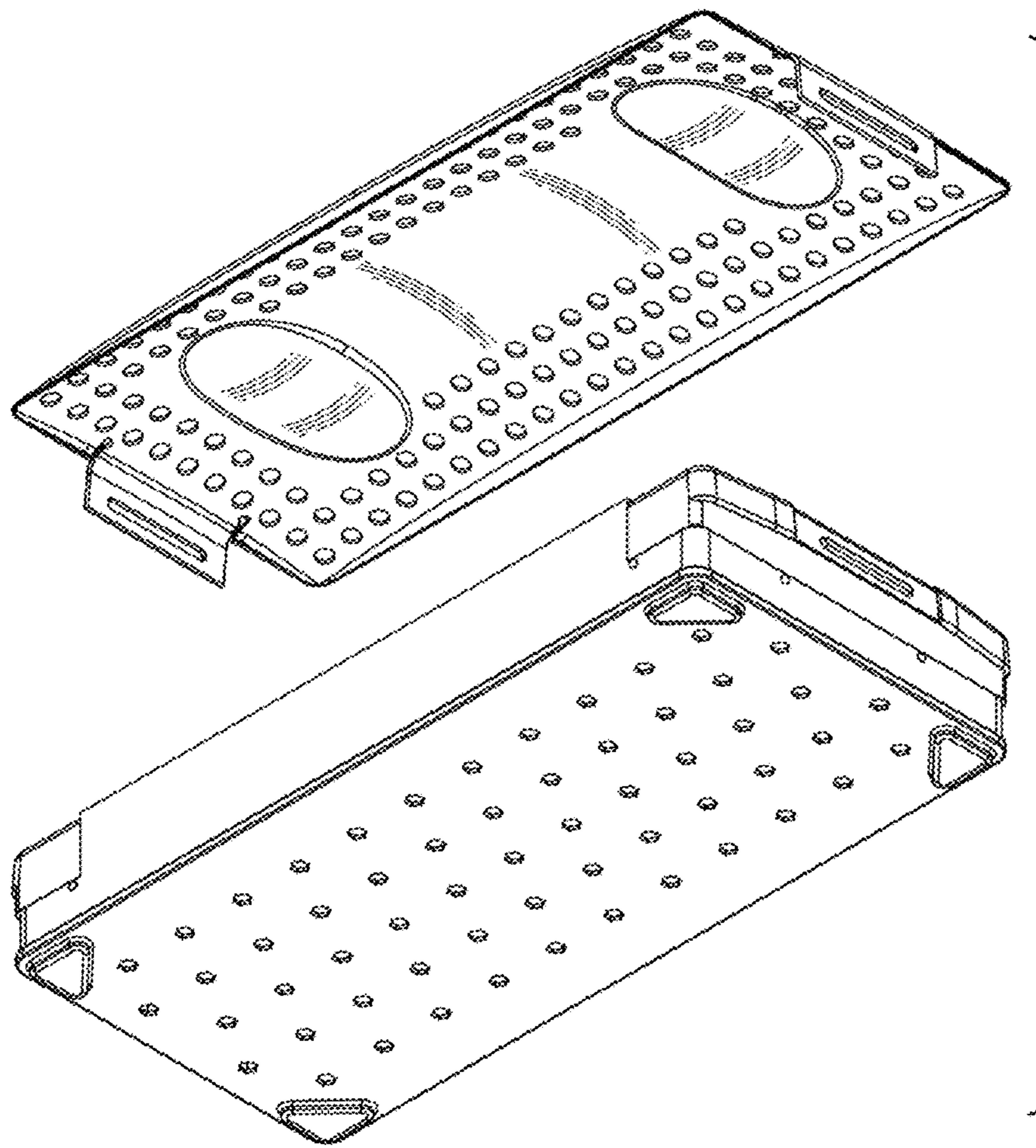
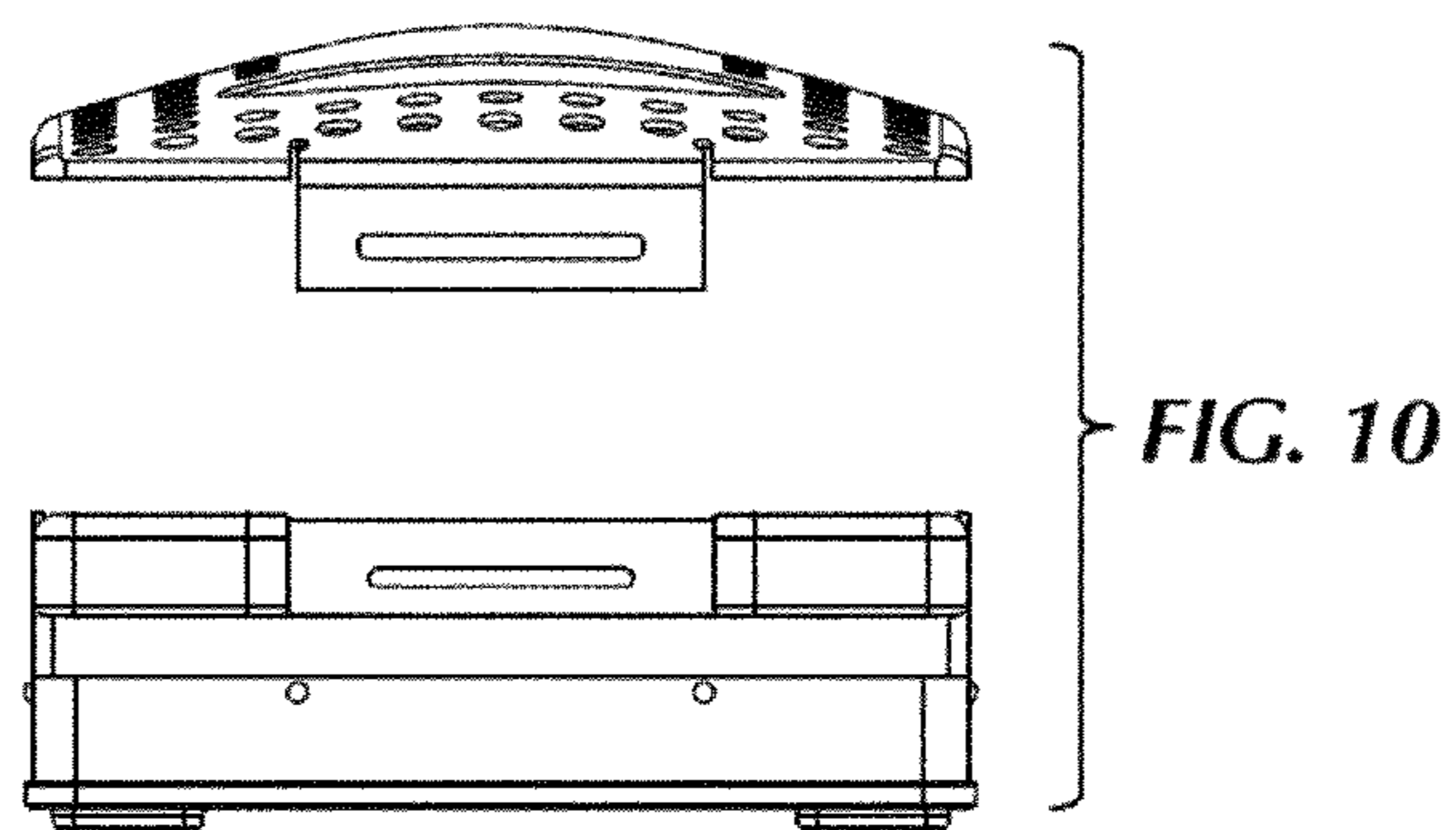
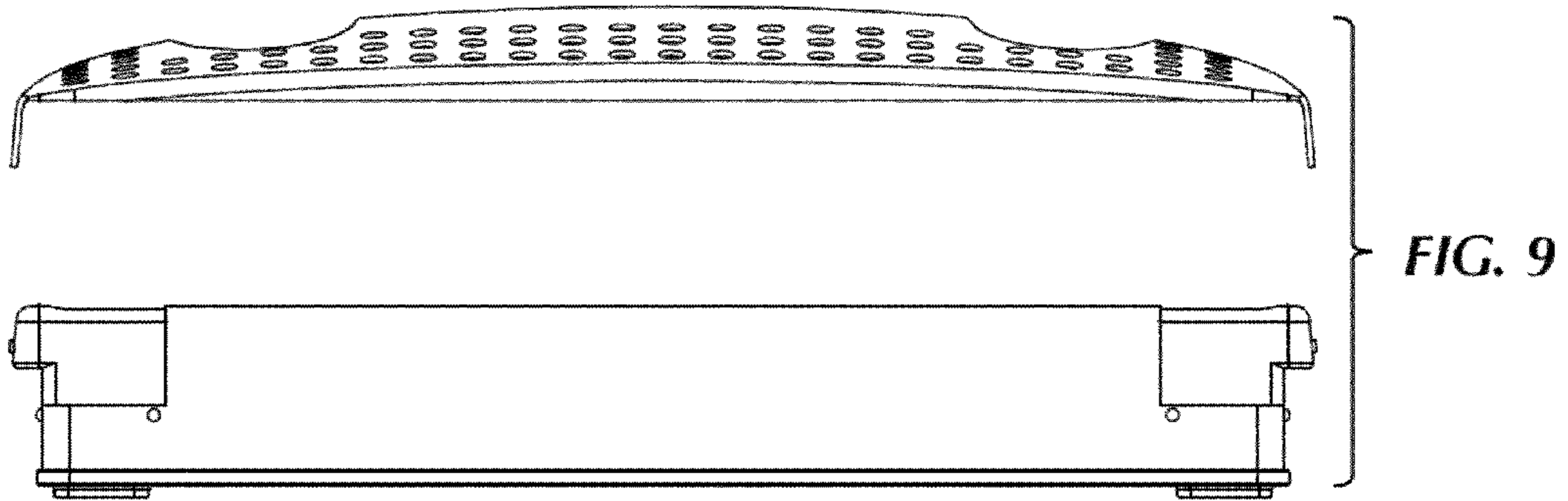


FIG. 8



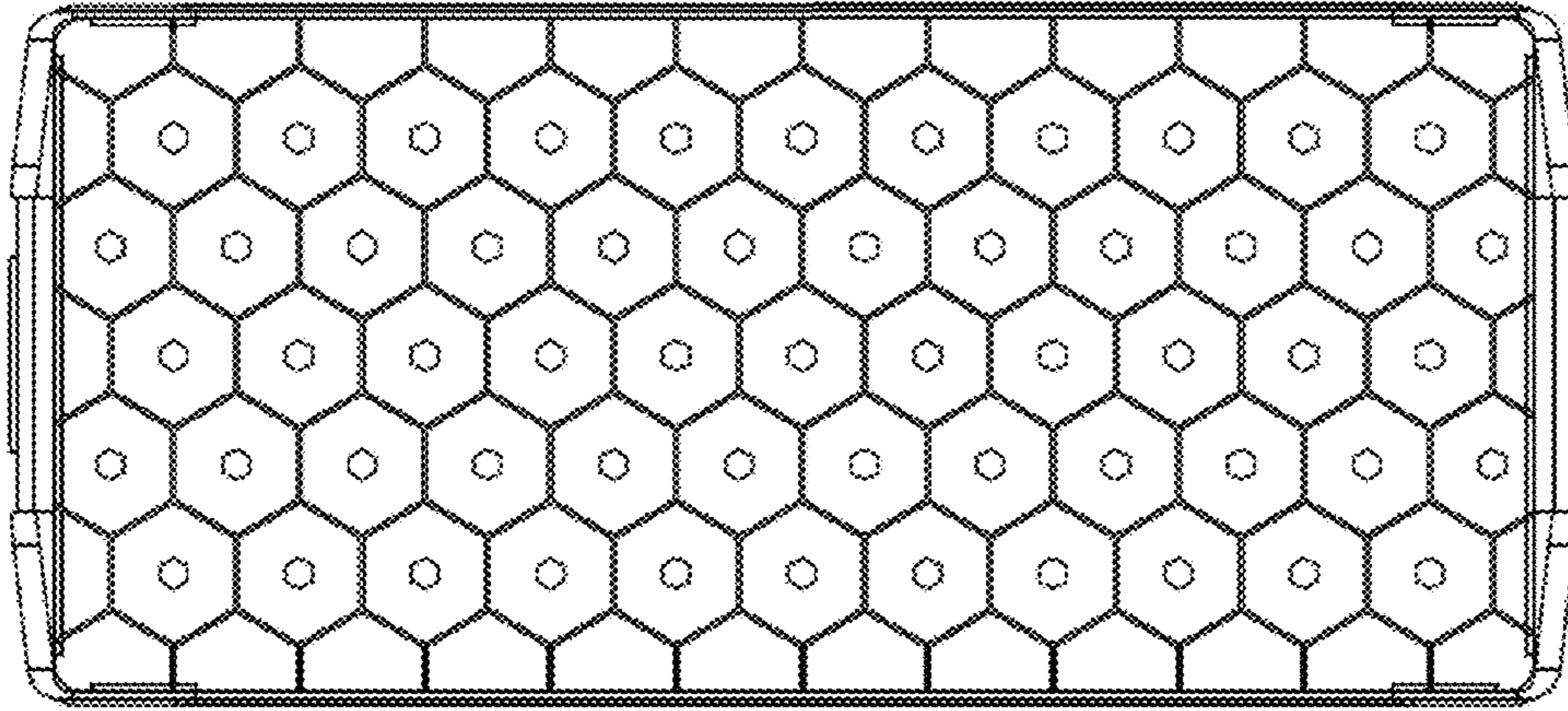


FIG. 11

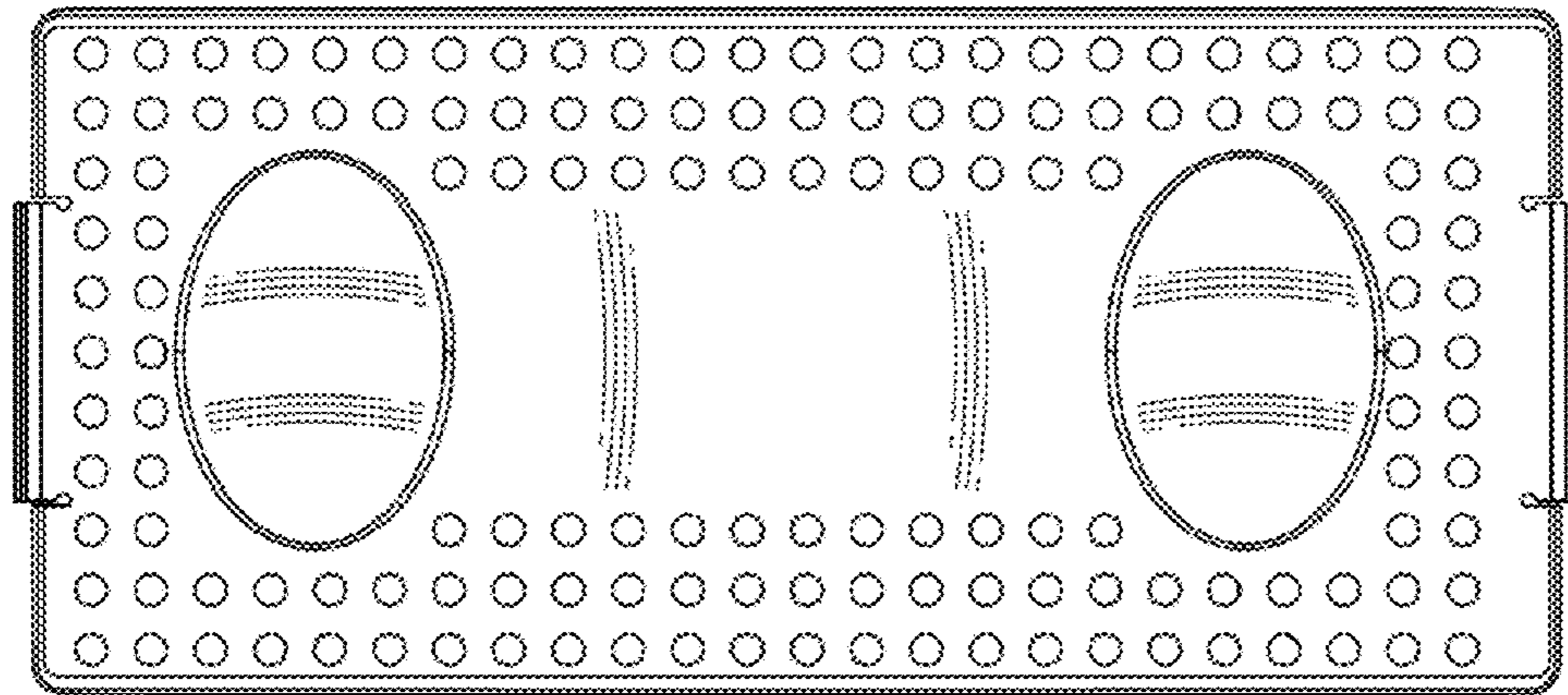


FIG. 12