



US00D712058S

(12) **United States Design Patent**  
**Huang**

(10) **Patent No.:** **US D712,058 S**

(45) **Date of Patent:** **\*\* Aug. 26, 2014**

(54) **HAND HELD MASSAGER**

(71) Applicant: **Chu-Chau Huang**, New Taipei (TW)

(72) Inventor: **Chu-Chau Huang**, New Taipei (TW)

(\*\*) Term: **14 Years**

(21) Appl. No.: **29/480,711**

(22) Filed: **Jan. 29, 2014**

(51) **LOC (10) Cl.** ..... **28-03**

(52) **U.S. Cl.**  
USPC ..... **D24/215**

(58) **Field of Classification Search**  
USPC ..... D24/200, 211, 212, 213, 214, 215;  
601/19, 27-32, 46, 49, 52, DIG. 12,  
601/DIG. 14, DIG. 15, DIG. 16, DIG. 17;  
D21/685; D28/63

See application file for complete search history.

(56) **References Cited**

**U.S. PATENT DOCUMENTS**

|                |         |                 |       |         |
|----------------|---------|-----------------|-------|---------|
| D351,474 S *   | 10/1994 | Huang           | ..... | D24/211 |
| 5,983,488 A *  | 11/1999 | Erickson et al. | ..... | 29/731  |
| 6,226,811 B1 * | 5/2001  | Fagan           | ..... | 4/606   |
| 6,405,400 B1 * | 6/2002  | McClain         | ..... | 15/160  |
| D463,625 S *   | 9/2002  | Chau            | ..... | D28/63  |

|              |         |              |       |         |
|--------------|---------|--------------|-------|---------|
| D478,174 S * | 8/2003  | Huang        | ..... | D24/212 |
| D504,954 S * | 5/2005  | Park         | ..... | D24/215 |
| D595,898 S * | 7/2009  | Syran et al. | ..... | D28/63  |
| D635,720 S * | 4/2011  | Cammarano    | ..... | D28/63  |
| D694,415 S * | 11/2013 | Viner et al. | ..... | D24/213 |
| D698,454 S * | 1/2014  | DiStefano    | ..... | D24/215 |

\* cited by examiner

*Primary Examiner* — Sandra Snapp

(74) *Attorney, Agent, or Firm* — Li & Cai Intellectual Property (USA) Office

(57) **CLAIM**

The ornamental design for a “hand held massager,” as shown and described.

**DESCRIPTION**

FIG. 1 is a perspective view of a hand held massager showing my new design;

FIG. 2 is a front view thereof;

FIG. 3 is a rear view thereof;

FIG. 4 is a left side view thereof;

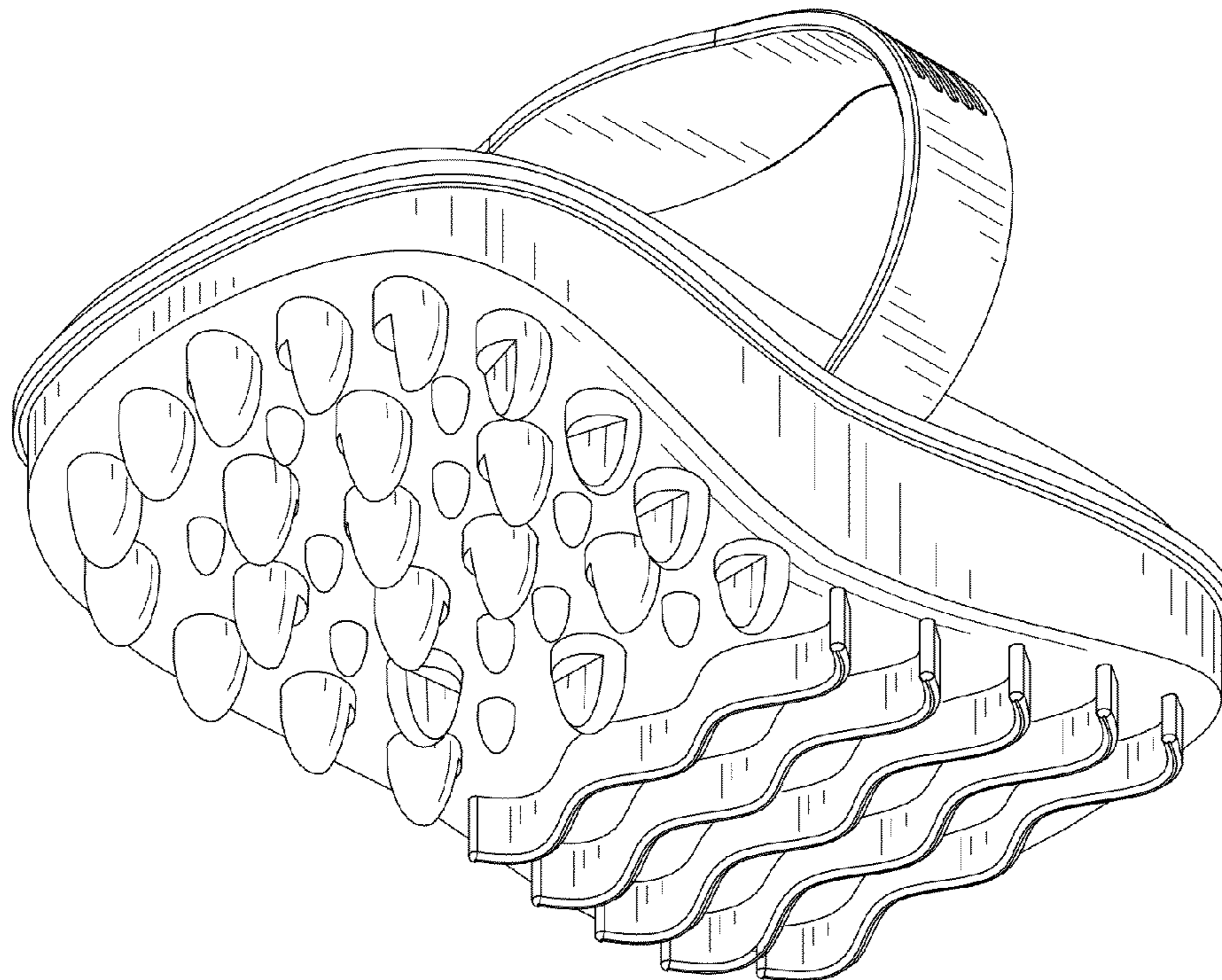
FIG. 5 is a right side view thereof;

FIG. 6 is a top view thereof; and,

FIG. 7 is a bottom view thereof.

The broken lines depict portions of the hand held massager which form no part of the claimed design.

**1 Claim, 5 Drawing Sheets**



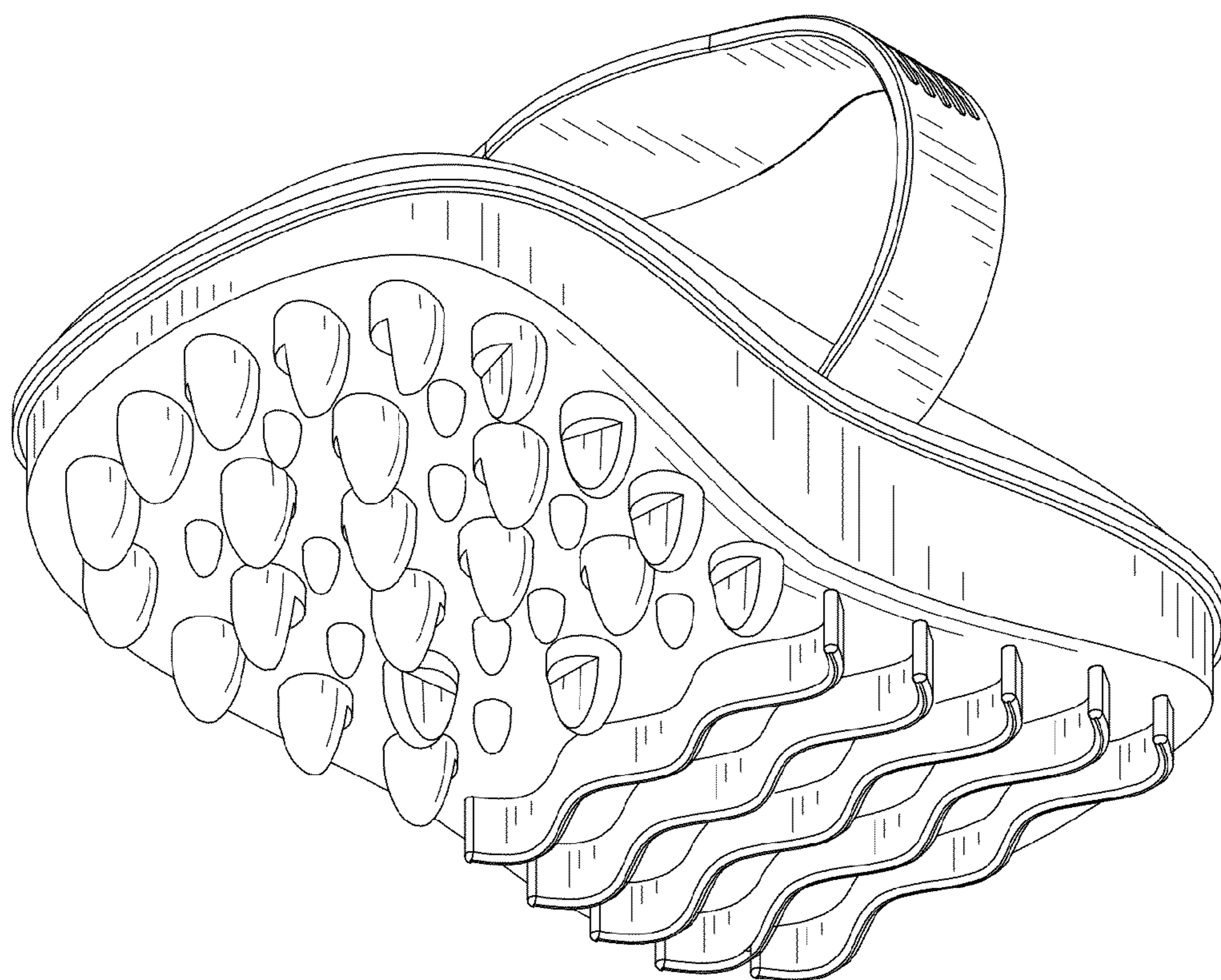


FIG.1

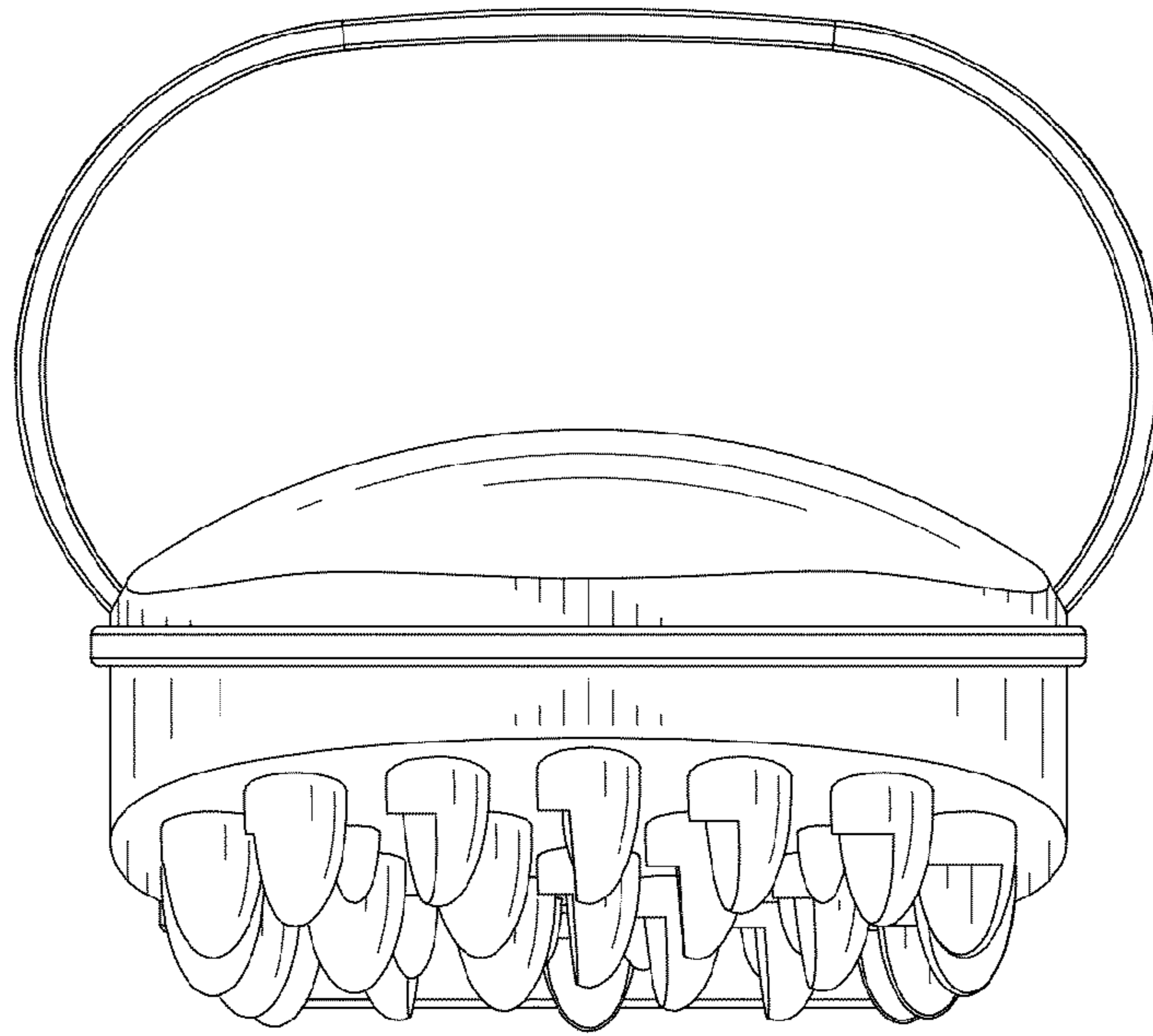


FIG. 2

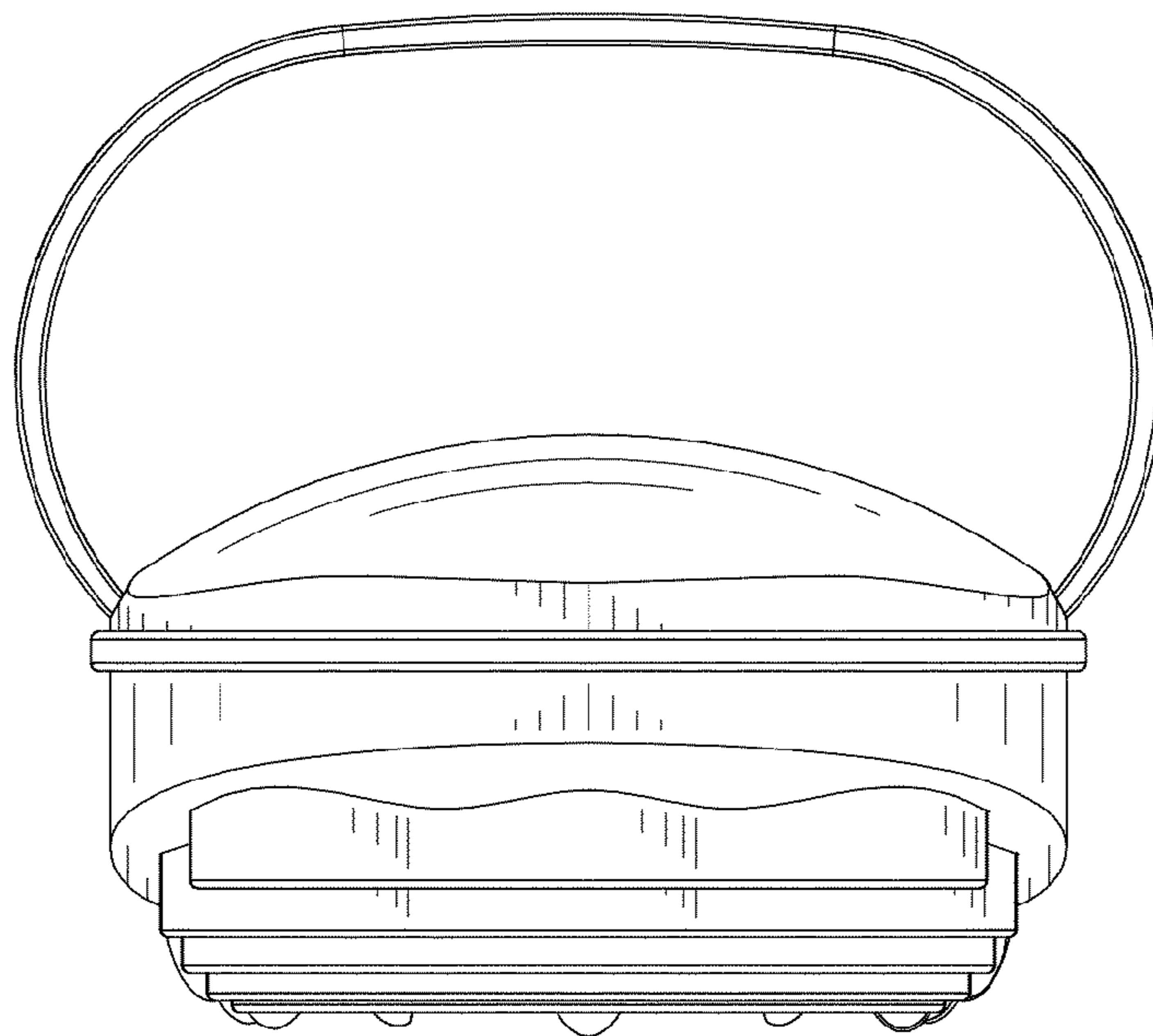


FIG. 3

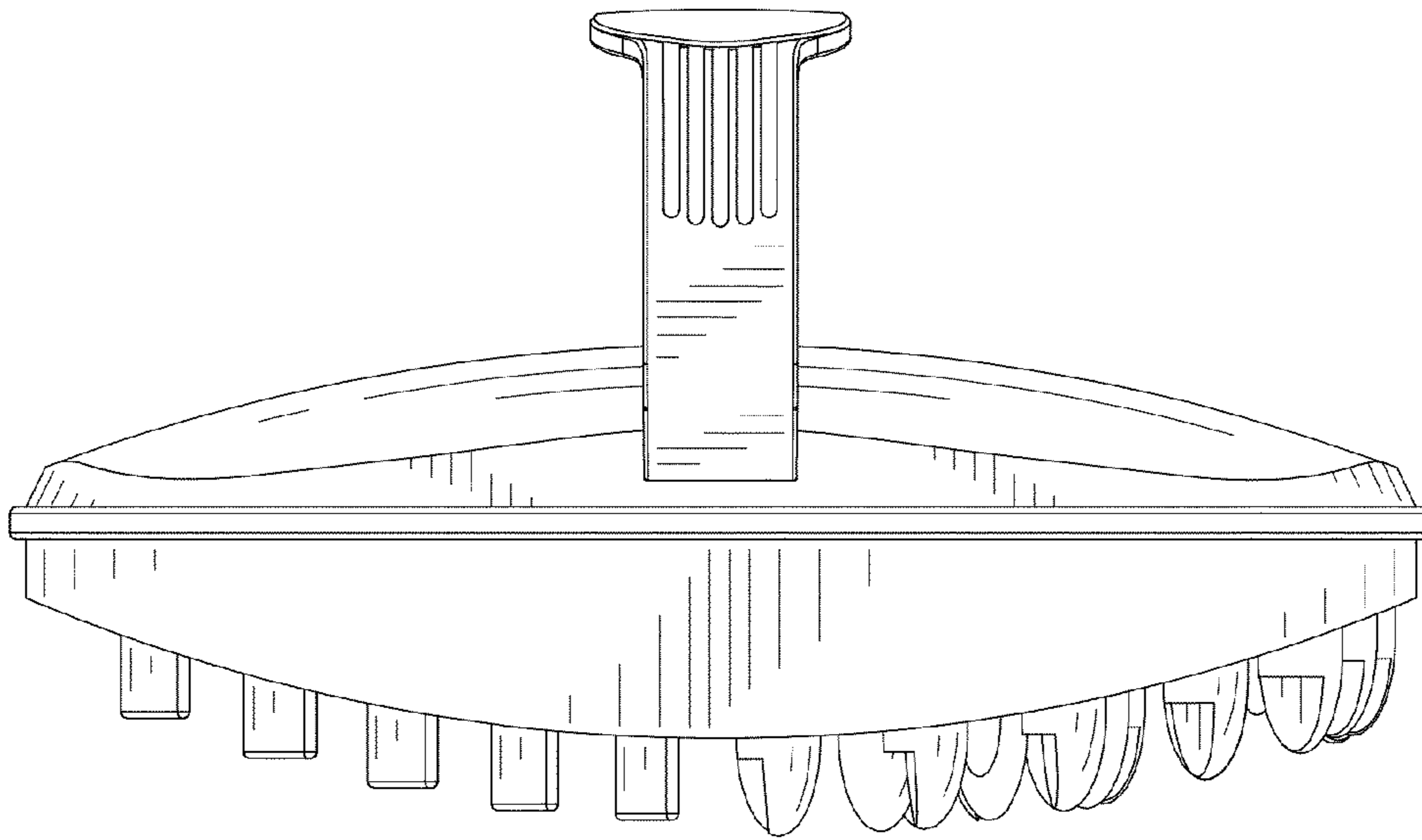


FIG.4

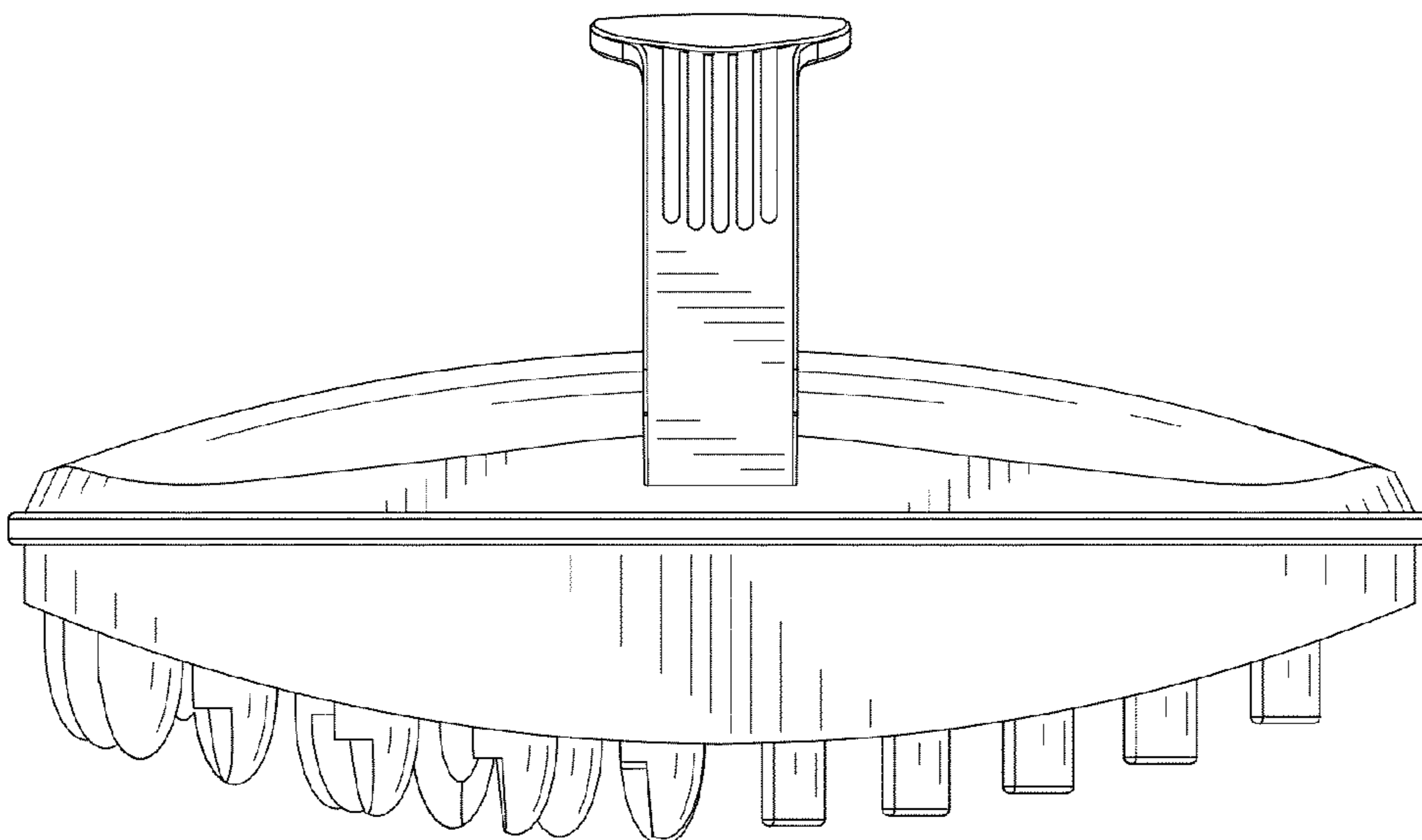


FIG.5

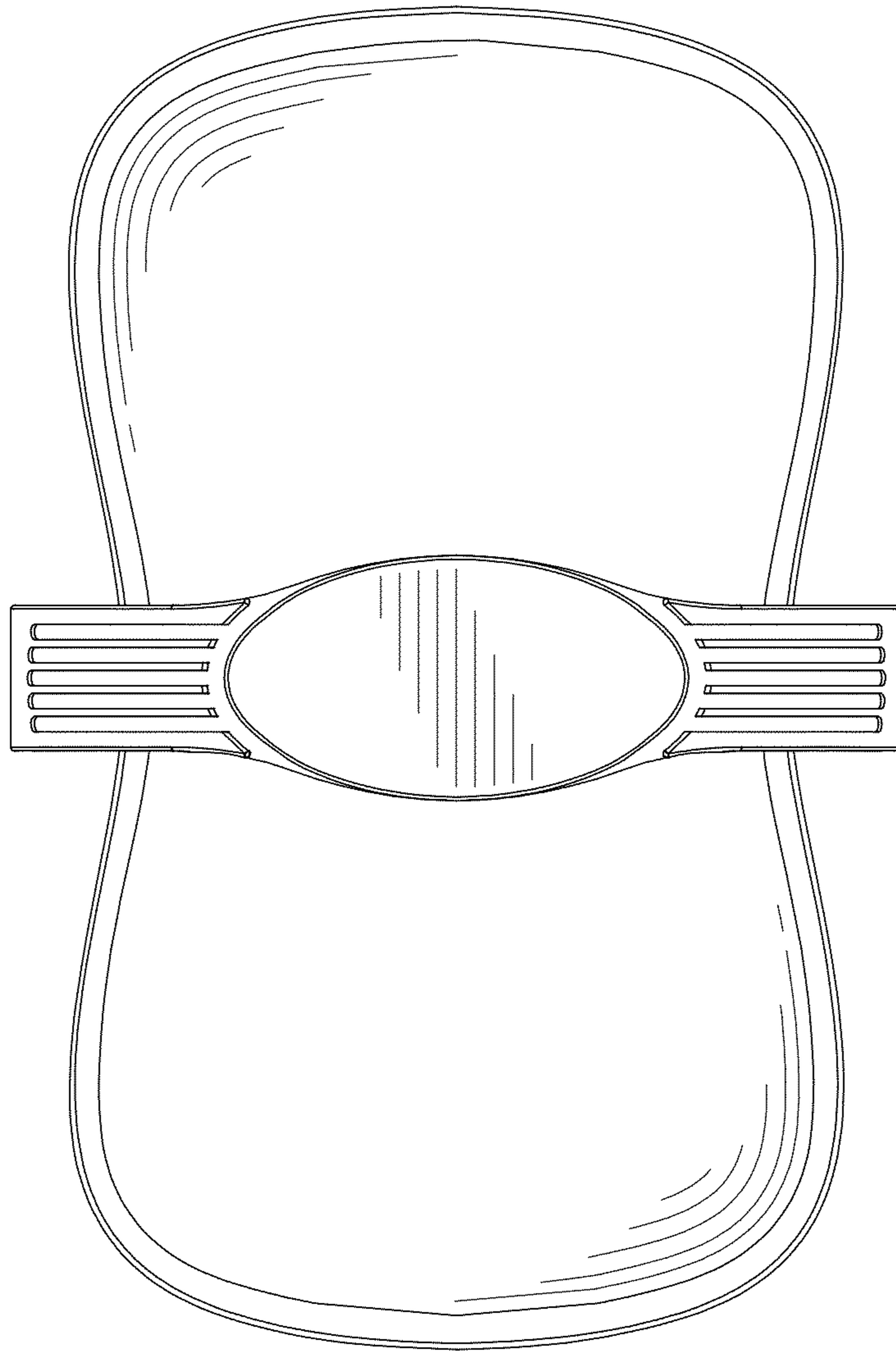


FIG.6

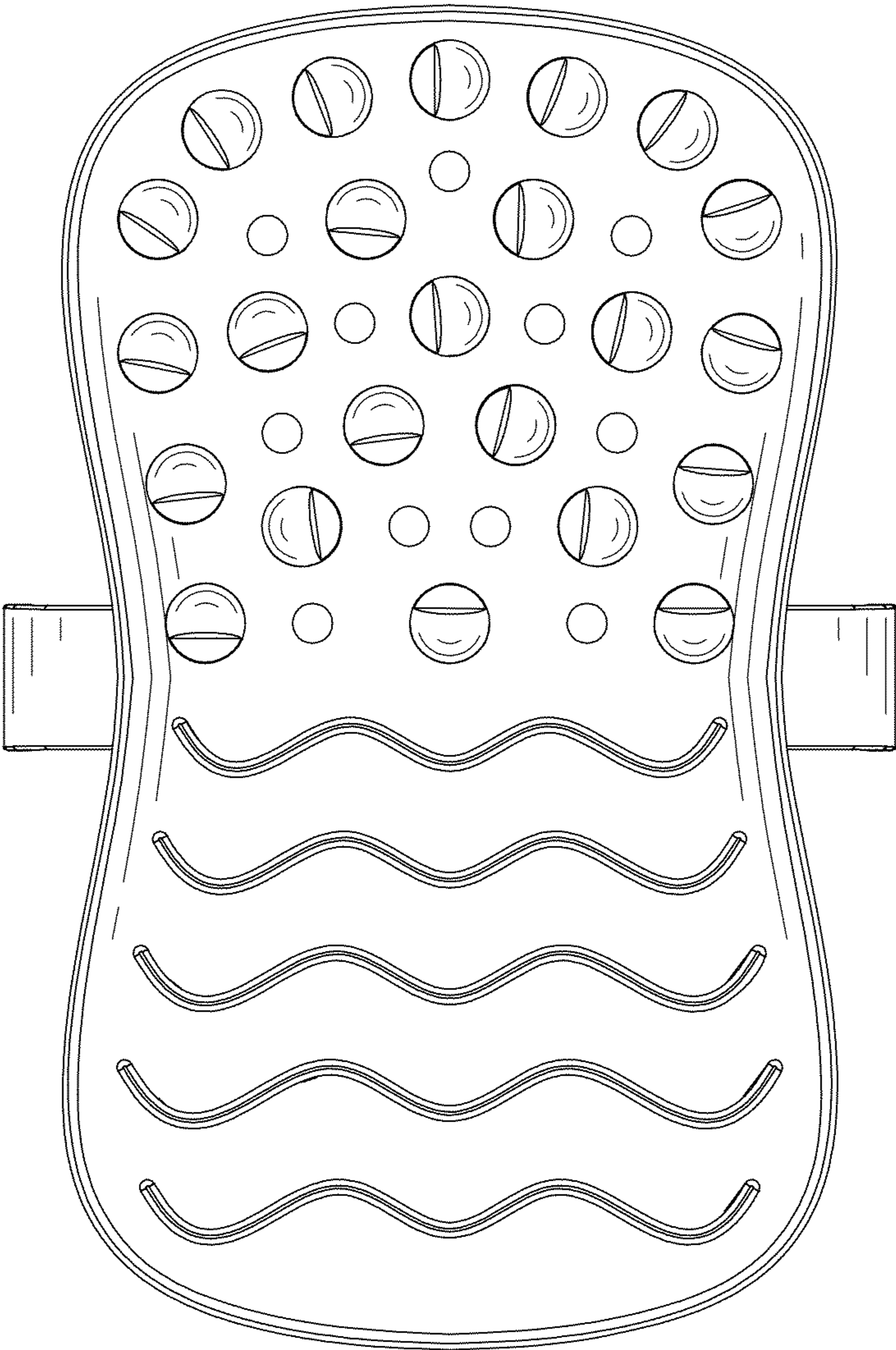


FIG.7