



US00D712055S

(12) **United States Design Patent**
Morris

(10) **Patent No.:** **US D712,055 S**

(45) **Date of Patent:** **** Aug. 26, 2014**

- (54) **FOOT THERAPY APPARATUS**
- (71) Applicant: **C-Pro Direct, Ltd.**, Edenbridge (GB)
- (72) Inventor: **Philip George Littleavon Morris**,
Edenbridge (GB)
- (73) Assignee: **C-Pro Direct, Ltd.**, Edenbridge (GB)
- (**) Term: **14 Years**
- (21) Appl. No.: **29/473,669**
- (22) Filed: **Nov. 25, 2013**

7,065,808	B2 *	6/2006	Leung et al.	4/622
D529,183	S *	9/2006	Cafaro	D24/213
D531,732	S *	11/2006	Bean et al.	D24/213
D537,949	S *	3/2007	Lie	D24/213
D569,004	S *	5/2008	Cafaro et al.	D24/213
D652,940	S *	1/2012	Byle et al.	D24/215
2007/0299372	A1 *	12/2007	Chang	601/28

FOREIGN PATENT DOCUMENTS

GB 2367763 4/2002

* cited by examiner

Primary Examiner — Sandra Snapp

(74) *Attorney, Agent, or Firm* — Keusey & Associates, P.C.

(57) **CLAIM**

I claim the ornamental design for a foot therapy apparatus, as shown and described.

DESCRIPTION

FIG. 1 is a front, top, right side perspective view of my new design of a foot therapy apparatus;
 FIG. 2 is a top plan view thereof, the bottom plan view being identical thereto;
 FIG. 3 is a cross-sectional view taken along the line III-III from FIG. 2;
 FIG. 4 is a cross-sectional view taken along the line IV-IV from FIG. 2;
 FIG. 5 is a cross-sectional view taken along the line V-V from FIG. 2;
 FIG. 6 is a front side elevation view thereof, the back side elevation view being identical thereto;
 FIG. 7 is a right side elevation view thereof, the left side elevation view being a mirror image thereof; and,
 FIG. 8 is a rear, top, left side perspective view thereof.
 The broken lines are included to show environmental structure and form no part of the claimed design.

1 Claim, 5 Drawing Sheets

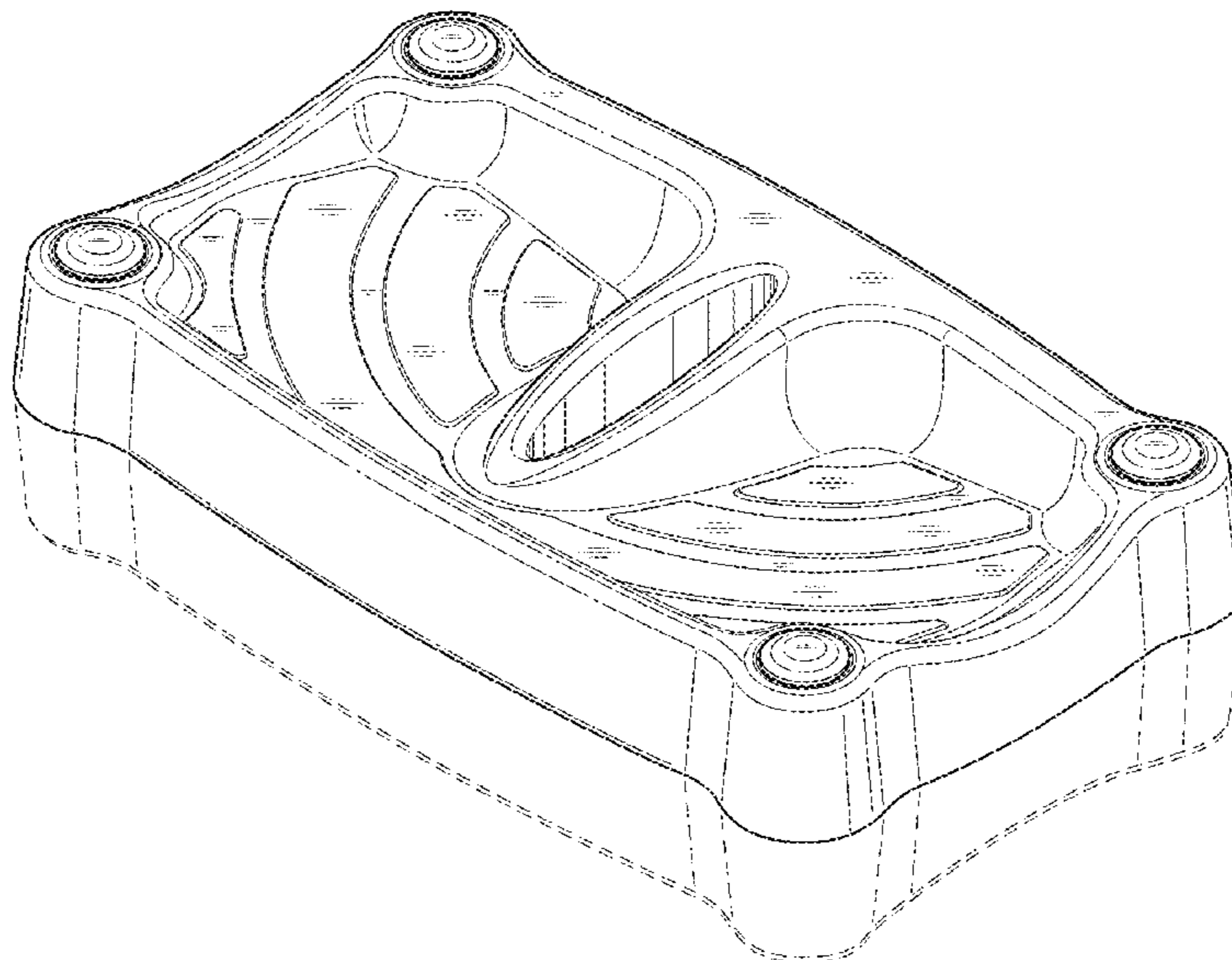
Related U.S. Application Data

- (63) Continuation-in-part of application No. 29/412,243, filed on Feb. 1, 2012, now abandoned.
- (51) **LOC (10) Cl.** **28-03**
- (52) **U.S. Cl.**
USPC **D24/215**
- (58) **Field of Classification Search**
USPC D24/200, 211-215, 141; 601/27, 28, 601/33, 40, 46, 47, 48, 63, 80, 99, 104, 112, 601/113, 114, 119, 122, 125, 129, 134, 135, 601/137, DIG. 12, DIG. 13, DIG. 14, 601/DIG. 15, DIG. 16, DIG. 17
See application file for complete search history.

(56) **References Cited**

U.S. PATENT DOCUMENTS

4,057,053	A *	11/1977	Kunz	601/27
4,429,687	A *	2/1984	Friedson et al.	601/15
D363,555	S *	10/1995	Lie	D24/213
5,772,615	A *	6/1998	Elder et al.	601/126
D499,187	S *	11/2004	Leung et al.	D24/213
D506,830	S *	6/2005	Zimmermann	D24/204



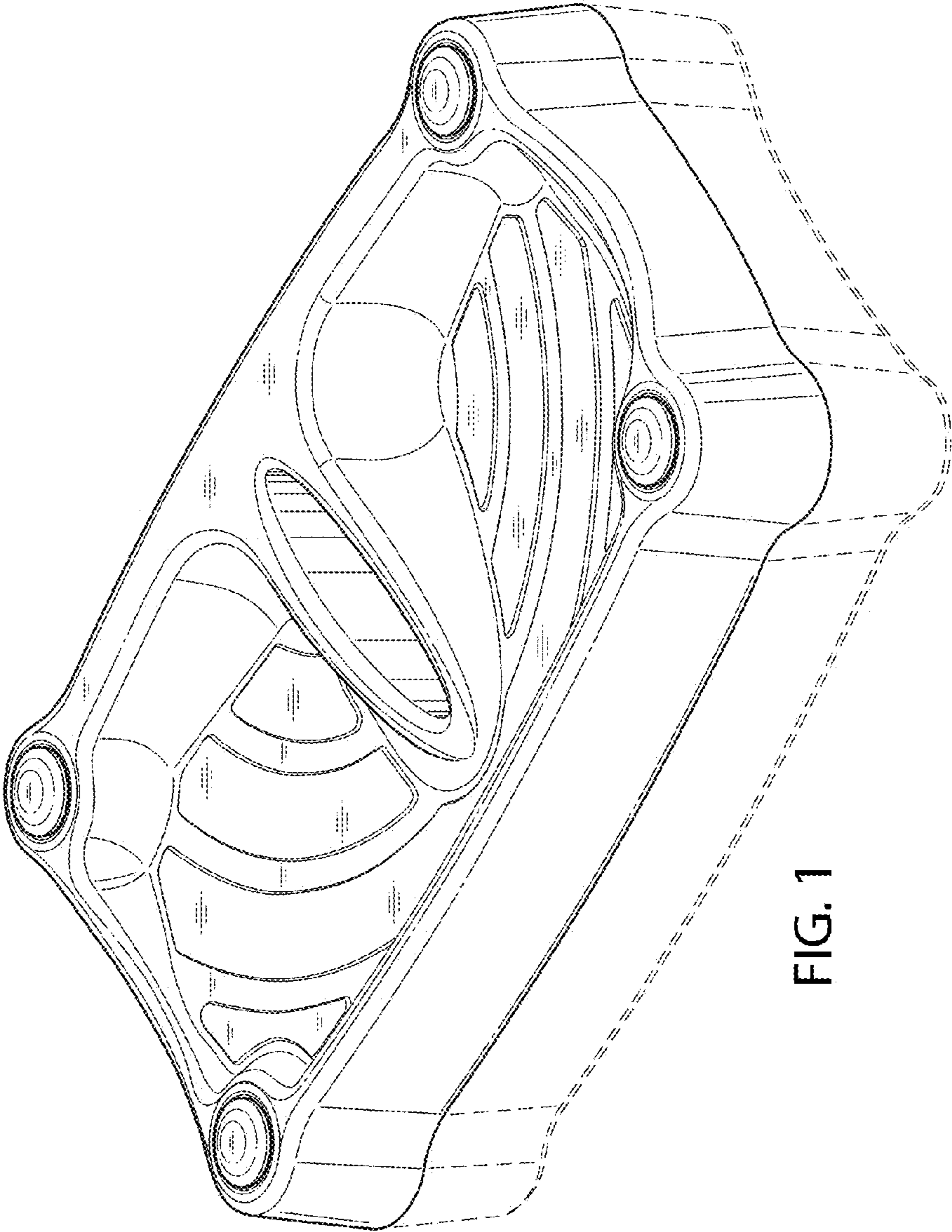


FIG. 1

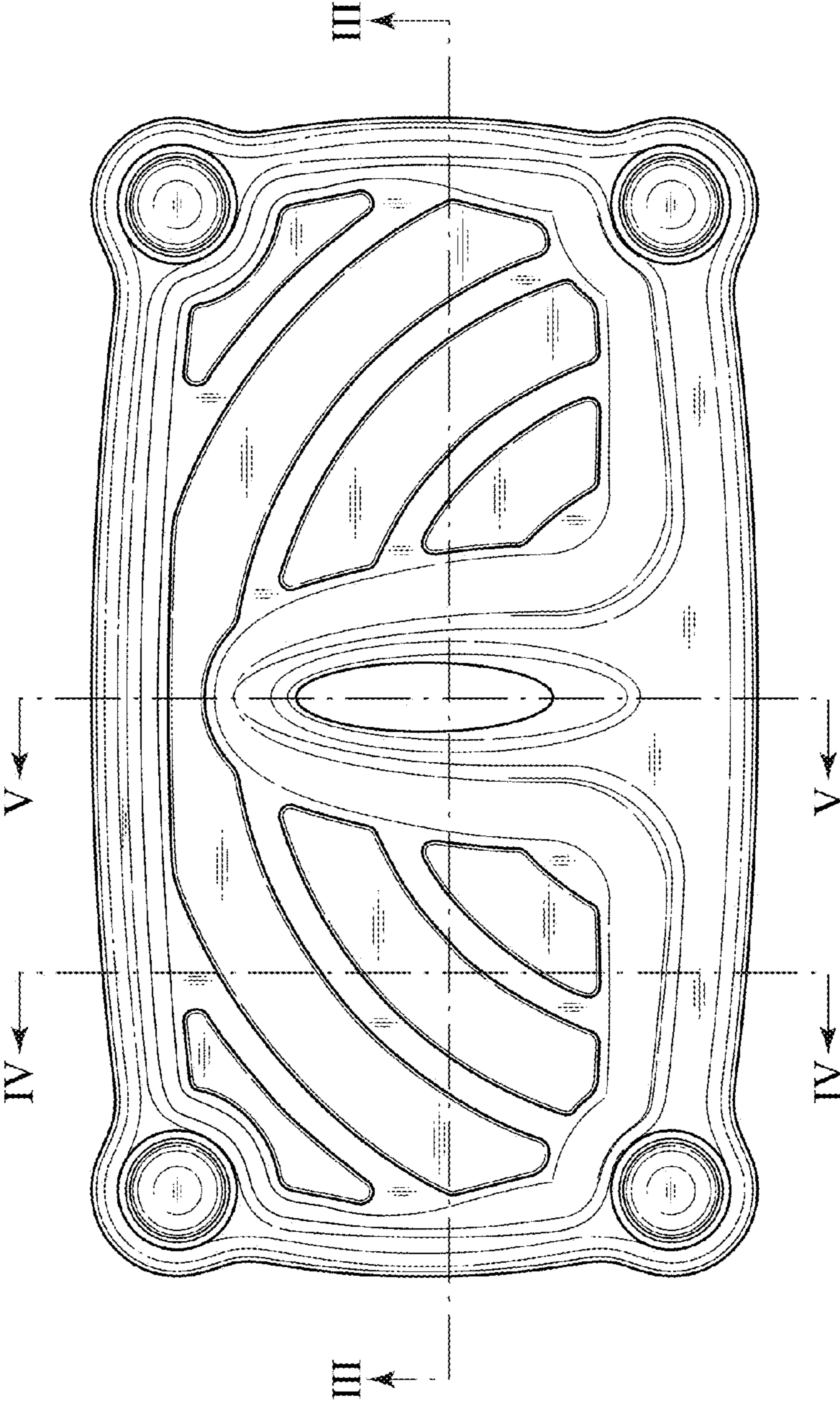


FIG. 2

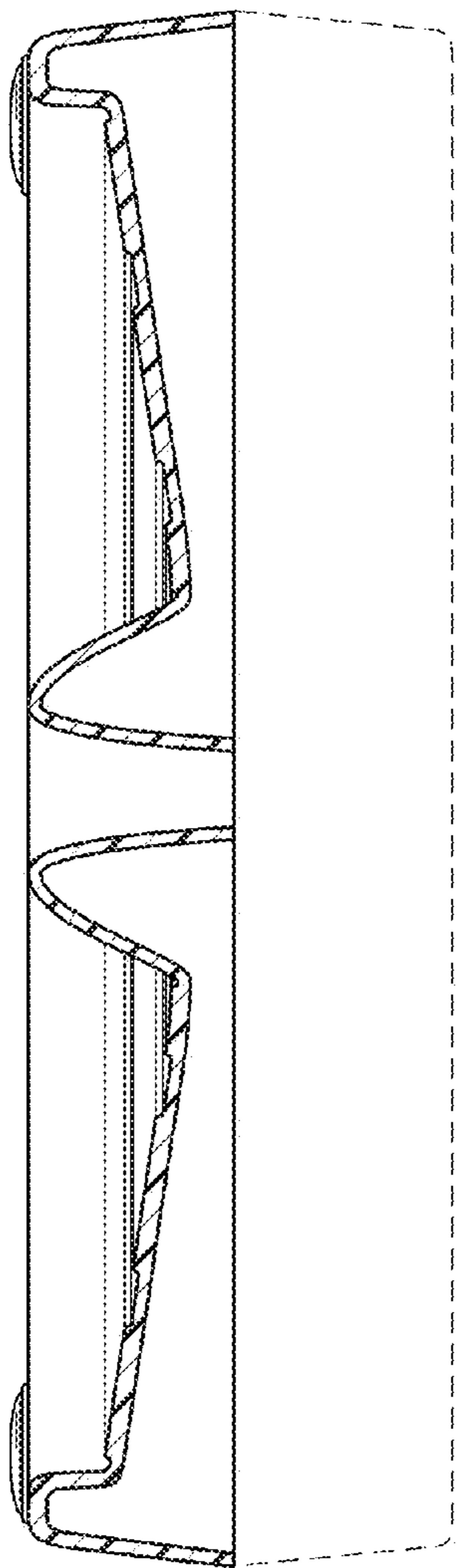


FIG. 3

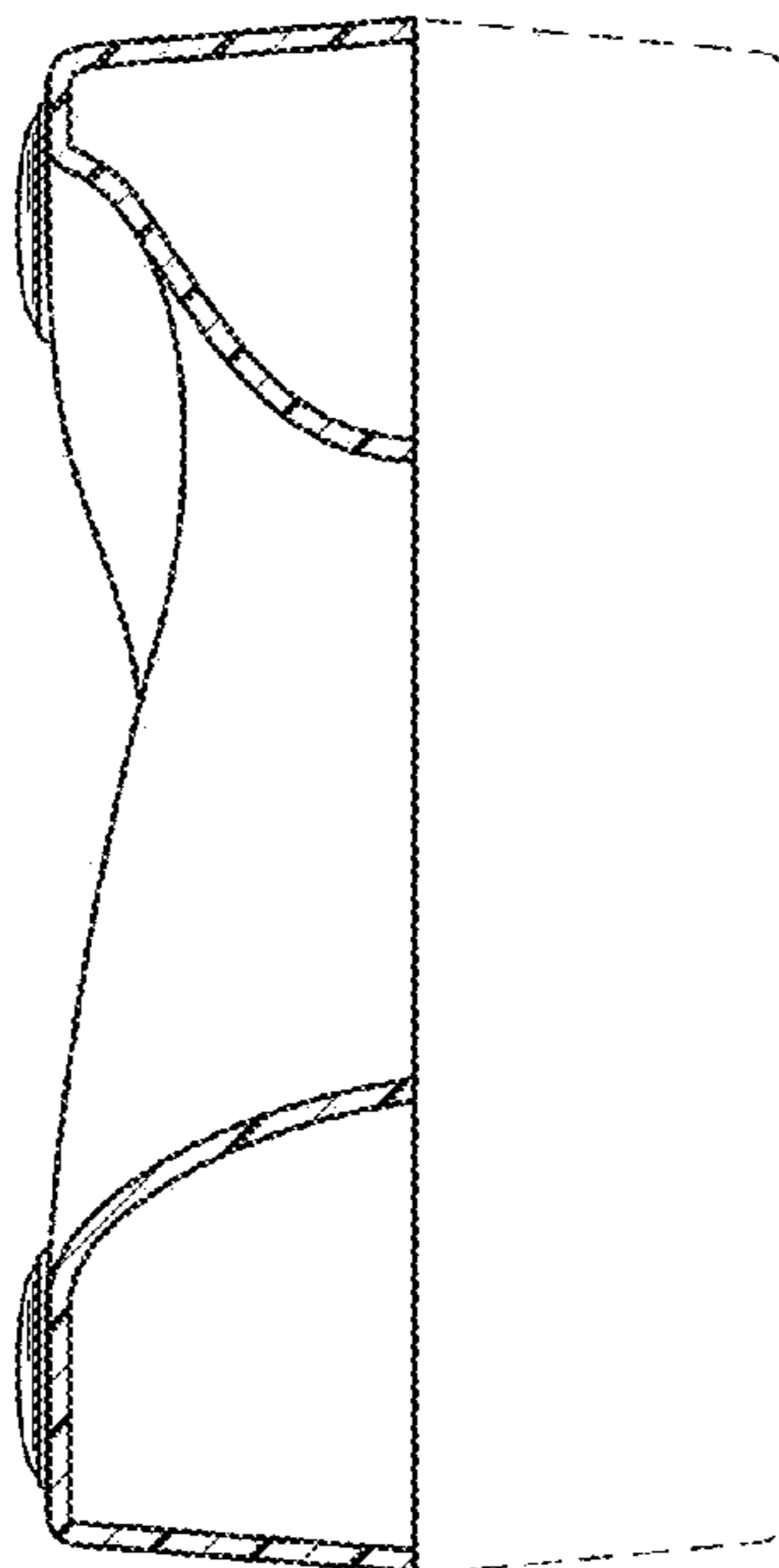


FIG. 5

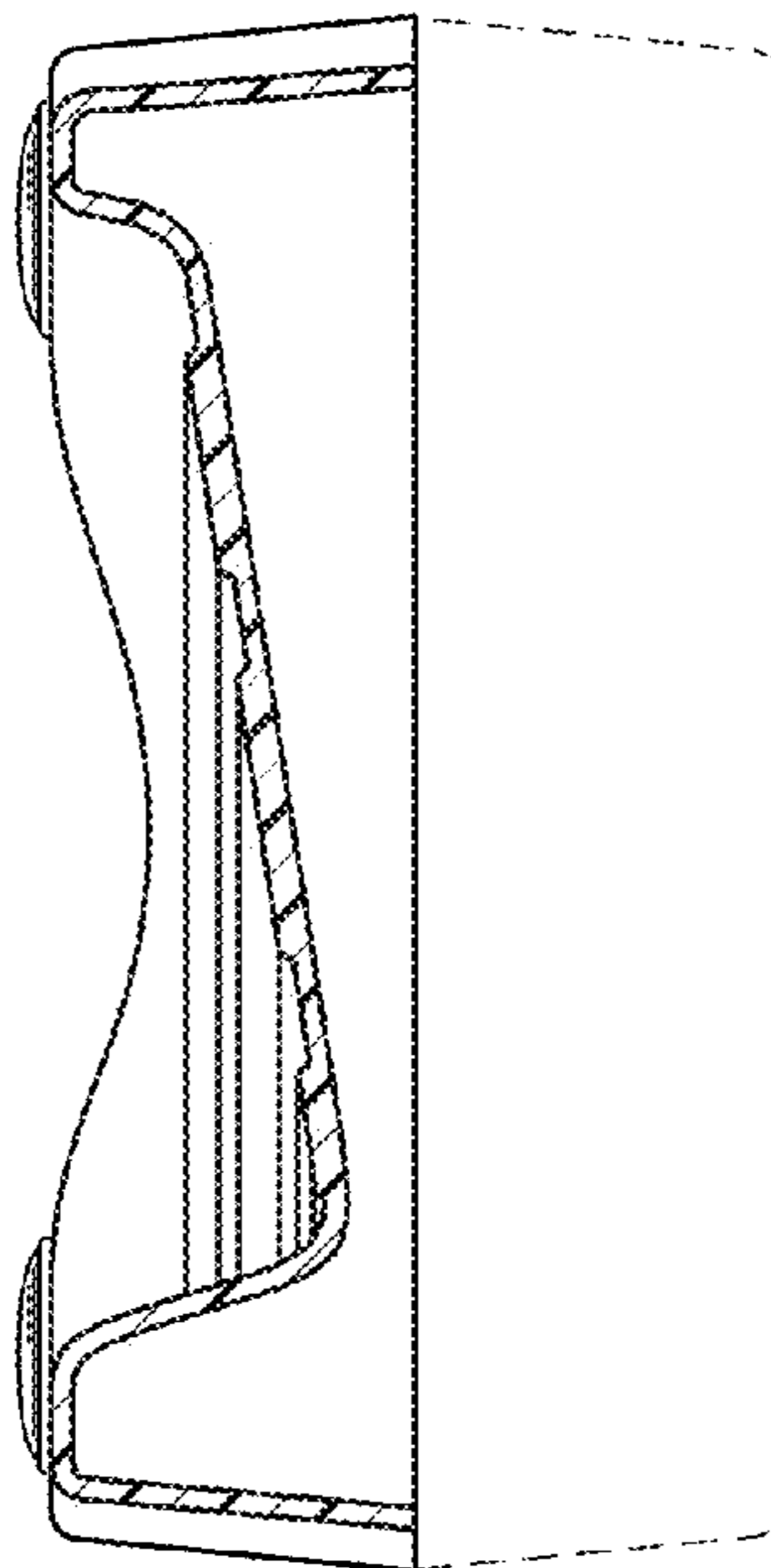


FIG. 4

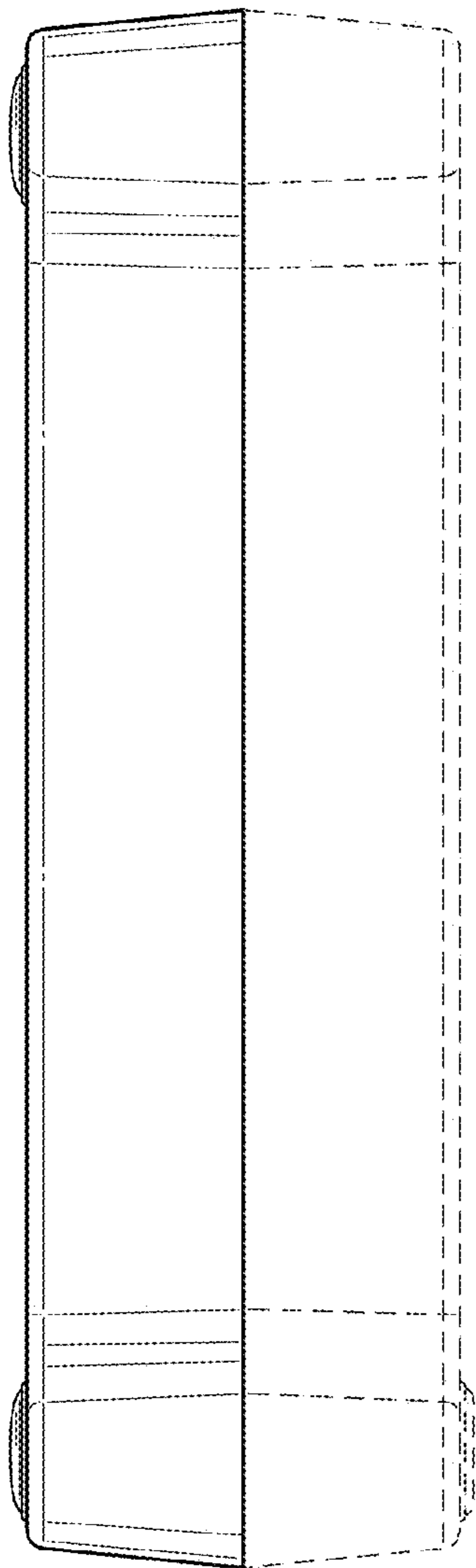


FIG. 6

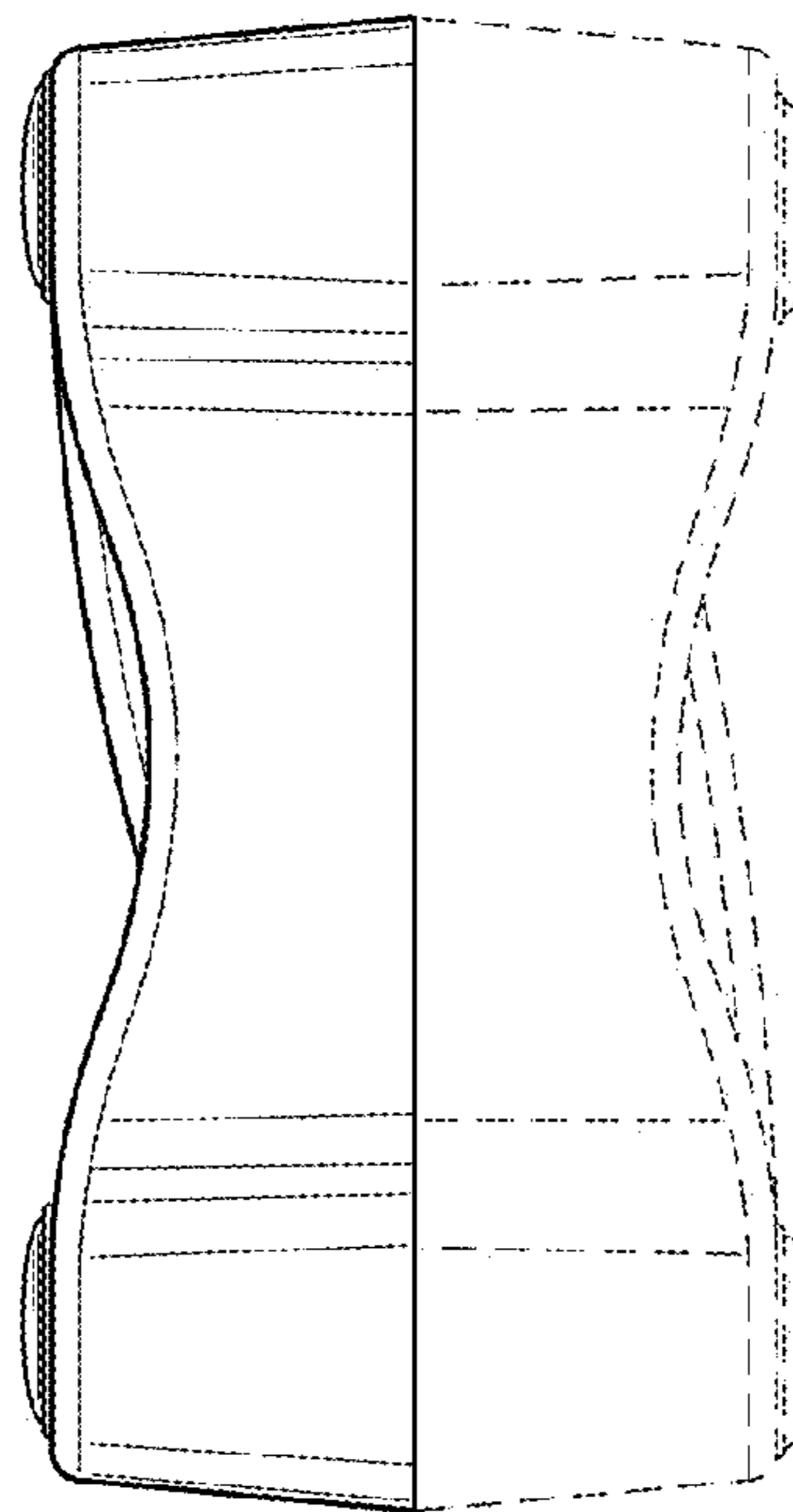


FIG. 7

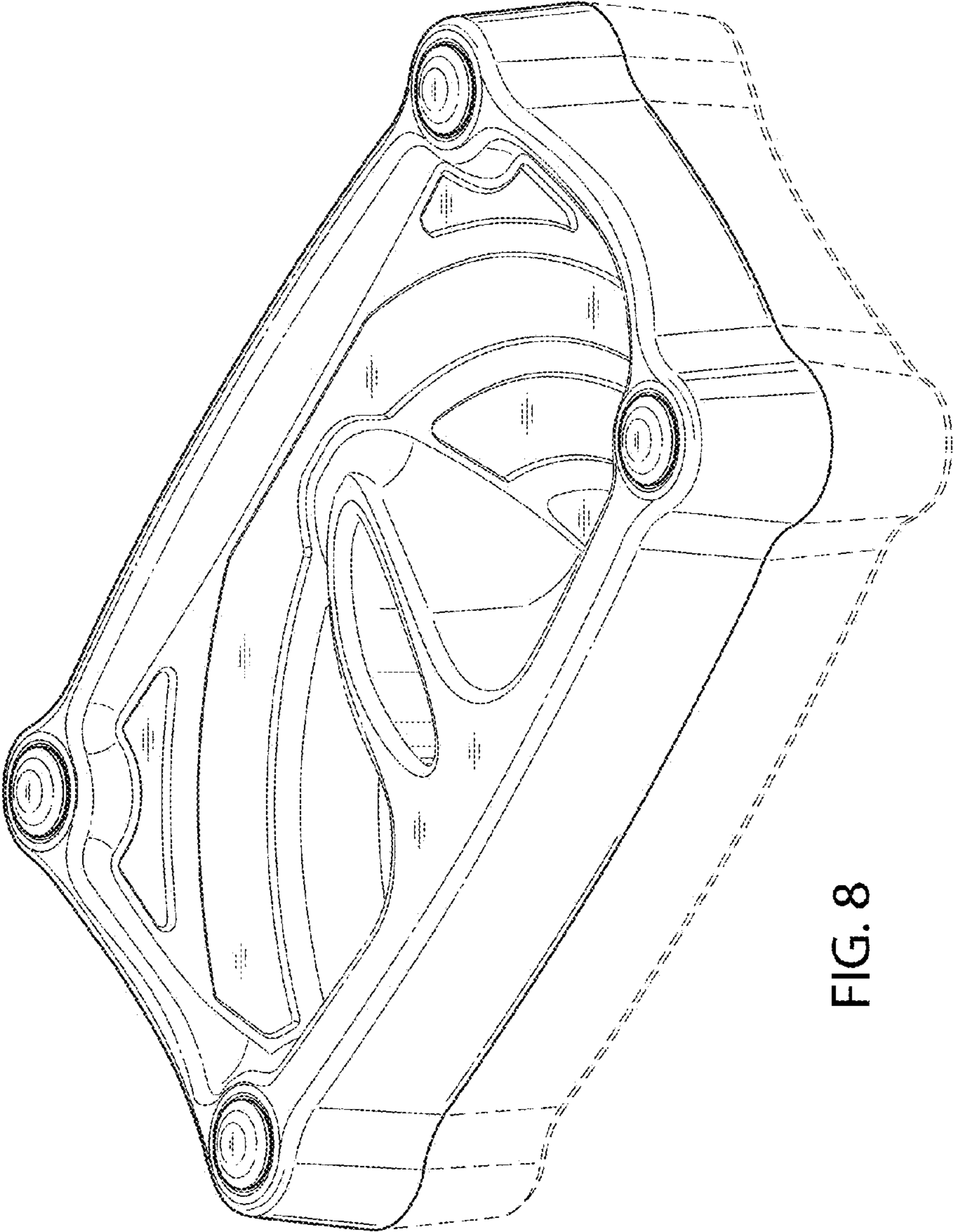


FIG. 8