



US00D712048S

(12) **United States Design Patent**
Sigurdsson et al.

(10) **Patent No.:** **US D712,048 S**

(45) **Date of Patent:** **** Aug. 26, 2014**

(54) **STRAP DOSING SYSTEM INCLUDING A SLEEVE**

(71) Applicant: **Össur hf**, Reykjavik (IS)

(72) Inventors: **Sindri Pall Sigurdsson**, Reykjavik (IS);
Janaki Ram-srinivasaRao Chetlapalli, Irvine, CA (US)

(73) Assignee: **Ossur HF**, Reykjavik (IS)

(**) Term: **14 Years**

(21) Appl. No.: **29/443,819**

(22) Filed: **Jan. 23, 2013**

(51) **LOC (10) Cl.** **24-04**

(52) **U.S. Cl.**
USPC **D24/190**

(58) **Field of Classification Search**
CPC . A61F 5/01; A61F 13/048; A61F 2005/0179;
A61F 5/0102; A61F 5/0123; A44B 11/28;
A44B 11/02

USPC D24/147, 188–192; 602/5, 12, 16, 23,
602/27; 623/18.11; 24/71.1, 168, 614;
450/41; 242/395

See application file for complete search history.

(56) **References Cited**

U.S. PATENT DOCUMENTS

2,622,292	A *	12/1952	Pehaczek	24/168
5,410,780	A *	5/1995	Silagy	24/168
6,161,265	A *	12/2000	Gallucci et al.	24/614
6,383,156	B1 *	5/2002	Enzerink et al.	602/16
D475,135	S *	5/2003	Howell et al.	D24/147
7,198,610	B2	4/2007	Ingimundarson et al.		
7,384,406	B2 *	6/2008	Enzerink et al.	602/5
7,918,809	B2 *	4/2011	Enzerink et al.	602/16
7,988,653	B2 *	8/2011	Fout et al.	602/21
8,231,560	B2	7/2012	Ingimundarson et al.		

8,348,876	B2	1/2013	Ingimundarson et al.		
D699,855	S *	2/2014	Netzel et al.	D24/188
2003/0176823	A1 *	9/2003	Mason	602/5
2009/0076618	A1 *	3/2009	Auberger	623/18.11
2009/0184189	A1 *	7/2009	Soderberg et al.	242/395
2009/0198161	A1 *	8/2009	Seligman et al.	602/16
2009/0287128	A1	11/2009	Ingimundarson et al.		
2010/0122437	A1 *	5/2010	Hortnagl	24/163 R
2011/0137220	A1 *	6/2011	Vollbrecht et al.	602/16
2012/0203156	A1 *	8/2012	Dar et al.	602/16
2012/0204381	A1	8/2012	Ingimundarson		
2013/0012856	A1 *	1/2013	Hammerslag et al.	602/27
2013/0144197	A1 *	6/2013	Ingimundarson et al.	602/16
2013/0184628	A1 *	7/2013	Ingimundarson et al.	602/26
2013/0345613	A1 *	12/2013	Peters	602/27

* cited by examiner

Primary Examiner — Eric Goodman

Assistant Examiner — Jennifer Watkins

(74) *Attorney, Agent, or Firm* — Workman Nydegger

(57) **CLAIM**

The ornamental design for a strap dosing system including a sleeve, as shown and described.

DESCRIPTION

FIG. 1 is a perspective view of a strap dosing system including a sleeve, showing our design.

FIG. 2 is a perspective view of the sleeve of FIG. 1.

FIG. 3 is a top plan view of the sleeve of FIG. 2.

FIG. 4 is a bottom plan view of the sleeve of FIG. 2.

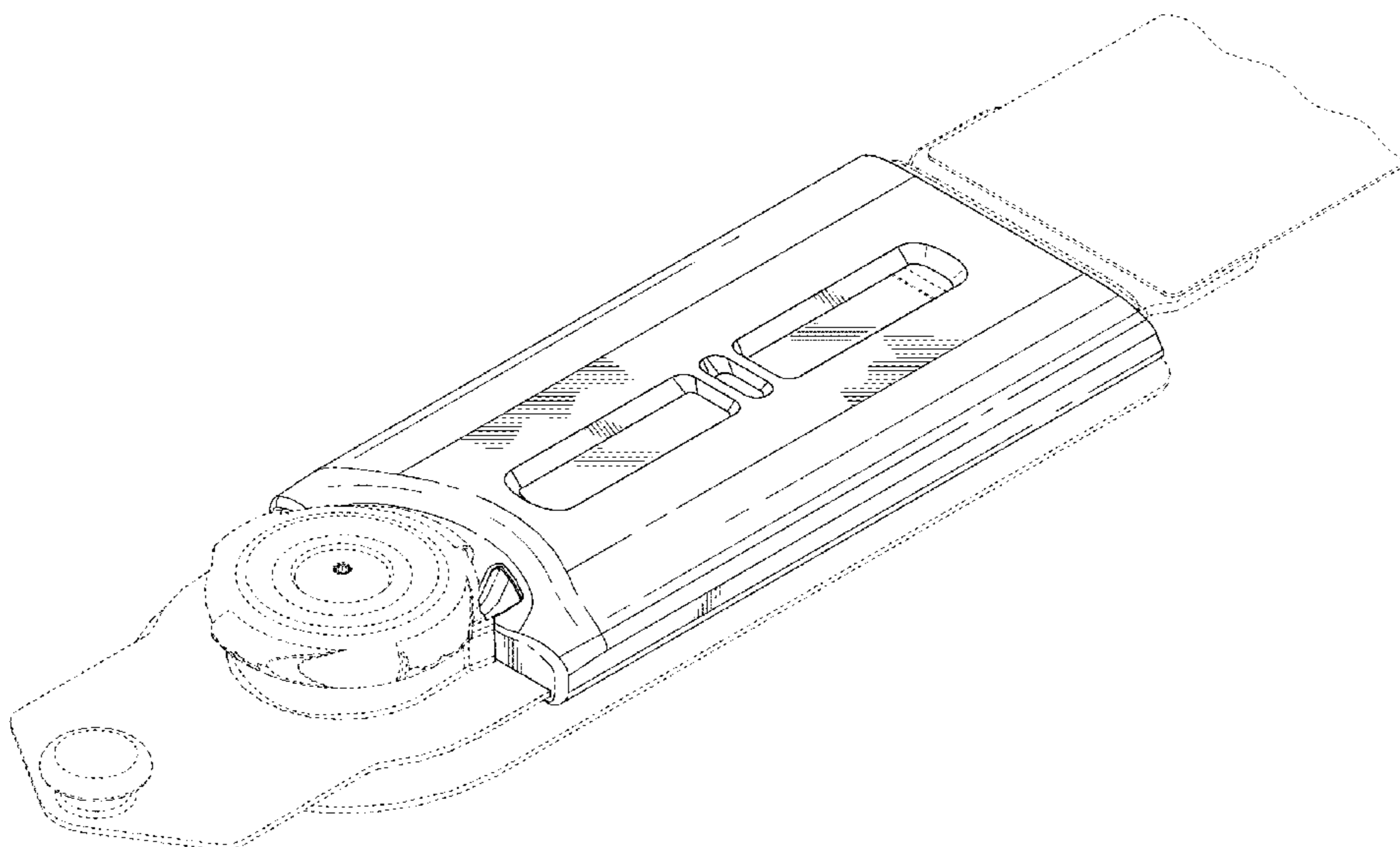
FIG. 5 is a first side elevational view of the sleeve of FIG. 2.

FIG. 6 is a second side elevational view of the sleeve of FIG. 2.

FIG. 7 is a front elevational view of the sleeve of FIG. 2; and, FIG. 8 is a rear elevational view of the sleeve of FIG. 2.

The broken lines in the respective views are included for the purpose of illustrating environmental structure and form no part of the claimed design.

1 Claim, 3 Drawing Sheets



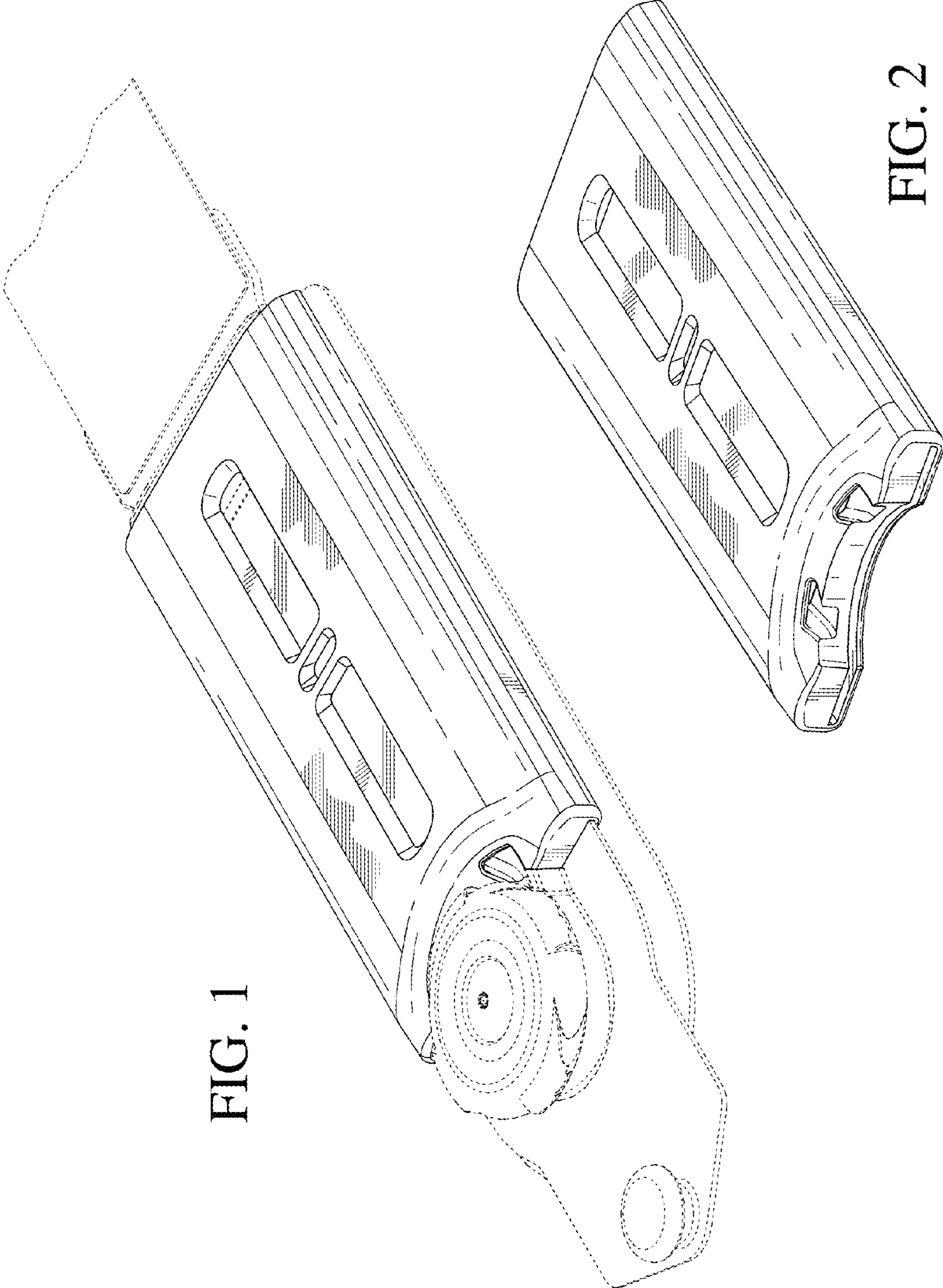


FIG. 1

FIG. 2

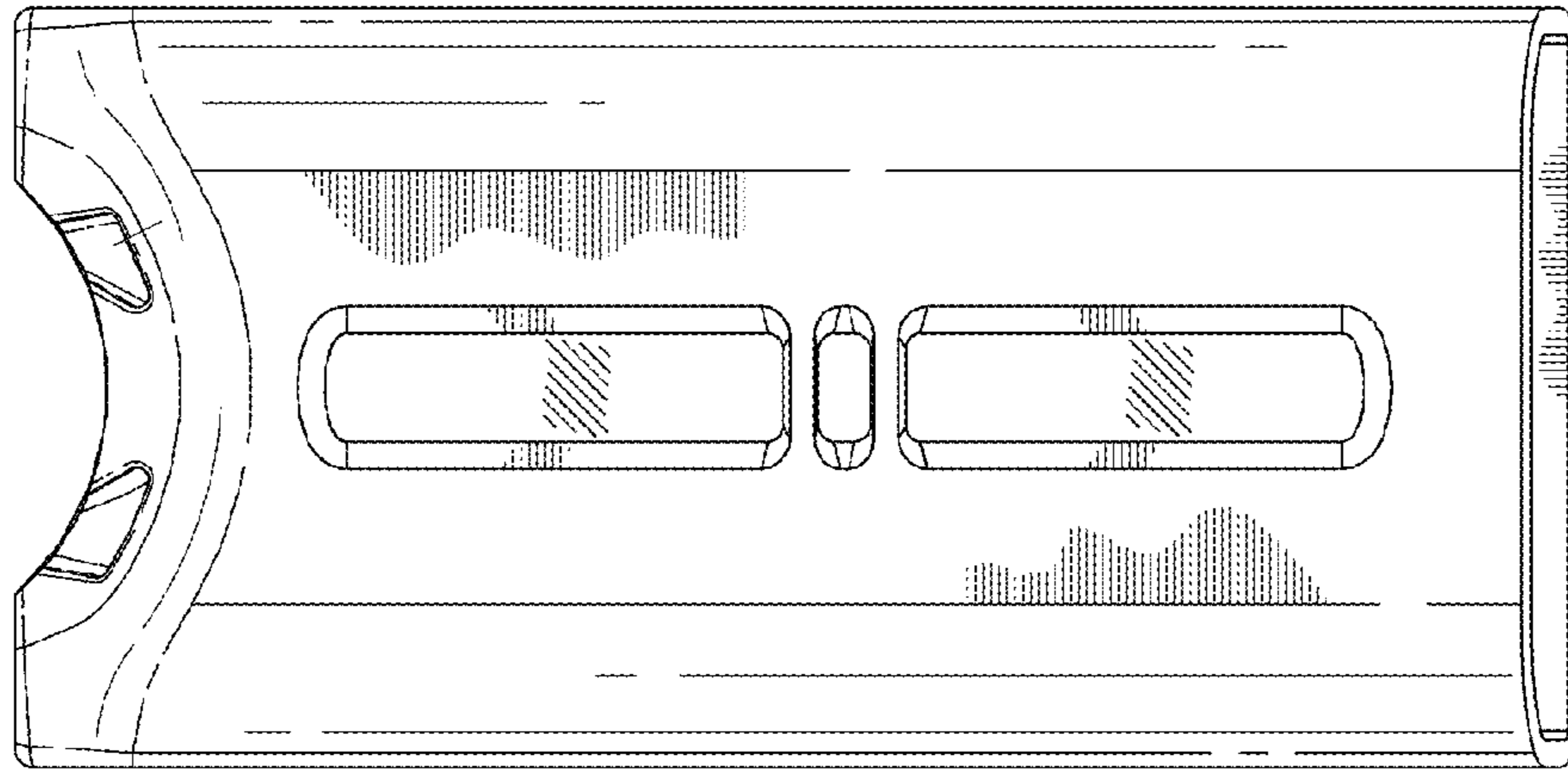


FIG. 3

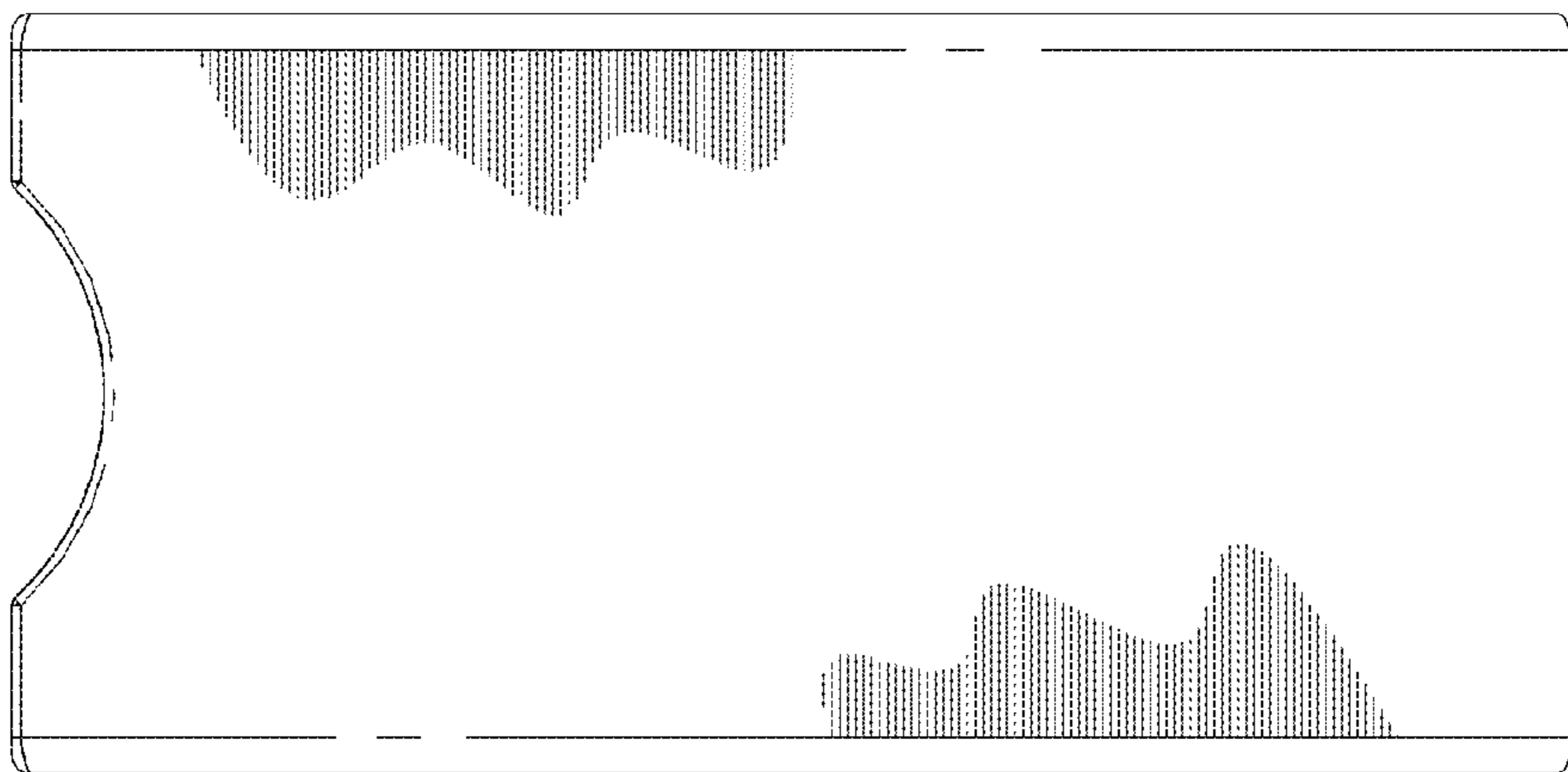


FIG. 4

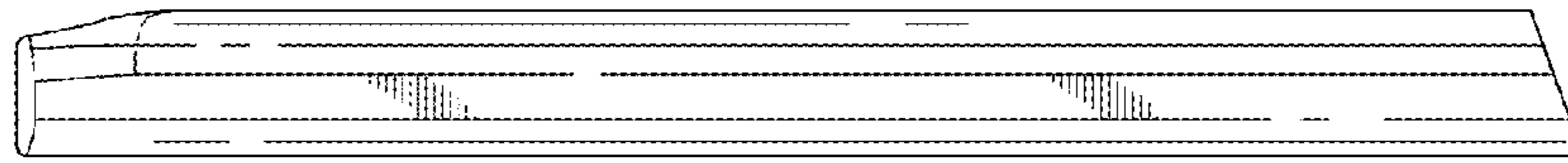


FIG. 5

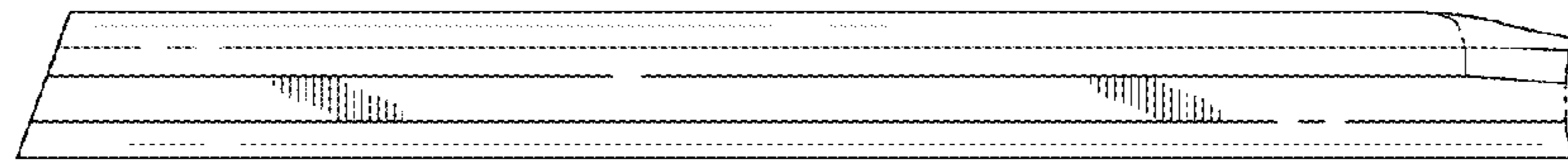


FIG. 6

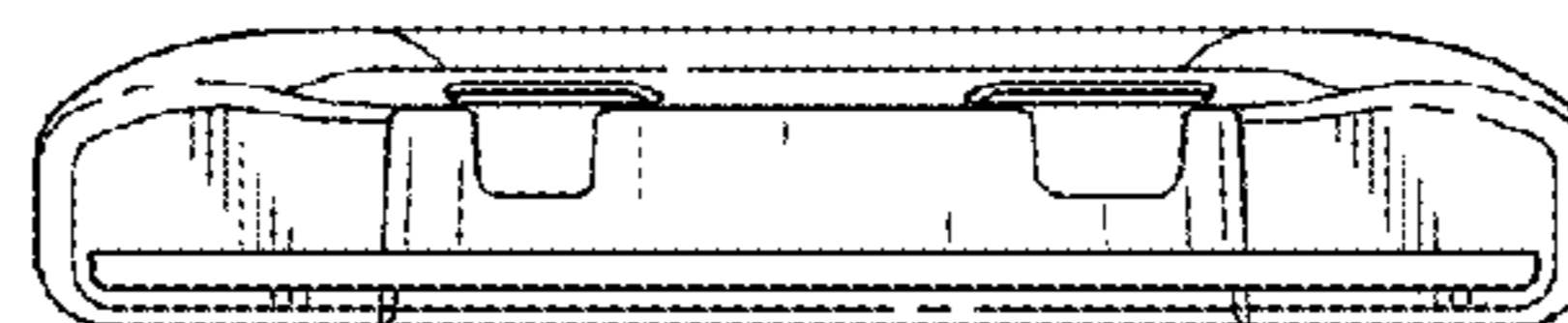


FIG. 7

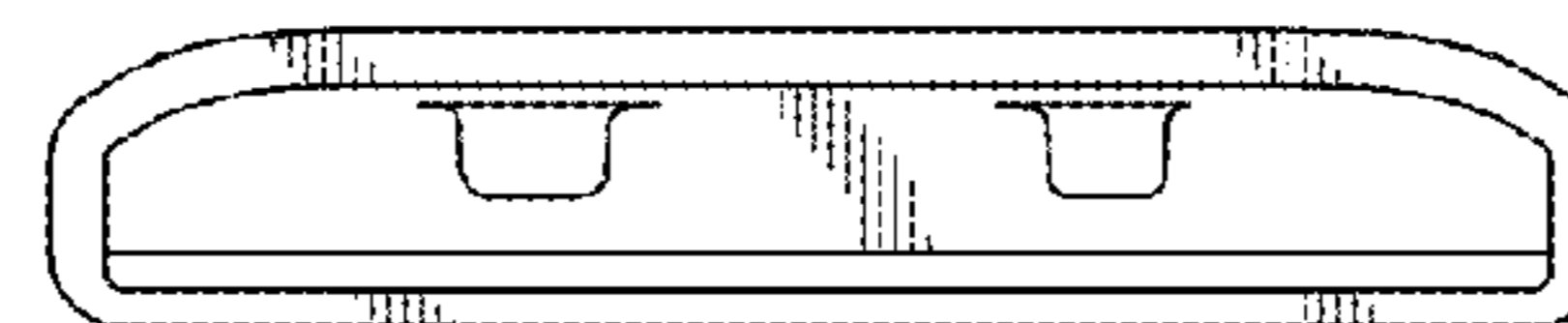


FIG. 8