



US00D712045S

(12) **United States Design Patent**
Thornton

(10) **Patent No.:** **US D712,045 S**

(45) **Date of Patent:** **** Aug. 26, 2014**

(54) **WRINKLE GUARD**

(71) Applicant: **Betty R. Thornton**, Chicago, IL (US)

(72) Inventor: **Betty R. Thornton**, Chicago, IL (US)

(**) Term: **14 Years**

(21) Appl. No.: **29/469,284**

(22) Filed: **Oct. 9, 2013**

D337,838	S	*	7/1993	Van Der Bel	D26/39
5,360,824	A		11/1994	Barker		
5,555,900	A		9/1996	Rich		
D383,229	S	*	9/1997	Kiichiro	D26/39
D406,371	S	*	3/1999	Van Der Bel	D26/39
5,913,883	A	*	6/1999	Alexander et al.	607/88
D441,111	S	*	4/2001	Van Der Bel	D26/39
D441,886	S	*	5/2001	Beck	D26/39
D489,838	S	*	5/2004	Opolka	D26/39
6,918,394	B2	*	7/2005	Matsuda et al.	128/848
D550,849	S	*	9/2007	Baker	D24/191
D617,907	S	*	6/2010	Waller	D24/191
D648,858	S	*	11/2011	Hayton et al.	D24/209
2007/0256211	A1		11/2007	Maldonado		

* cited by examiner

Related U.S. Application Data

(63) Continuation of application No. 13/683,536, filed on Nov. 21, 2012, now abandoned.

(51) **LOC (10) Cl.** **24-04**

(52) **U.S. Cl.**
USPC **D24/189**

(58) **Field of Classification Search**
USPC D24/158, 188, 189, 191, 200, 209, 210,
D24/224; 362/555, 545, 800, 294, 249, 267;
D26/29, 37, 39, 41, 104; 606/2-4,
606/204-204.45, 903; 607/88-95
See application file for complete search history.

Primary Examiner — T. Chase Nelson

Assistant Examiner — Michelle E Wilson

(74) *Attorney, Agent, or Firm* — Robert C. Montgomery;
Montgomery Patent & Design

(57) **CLAIM**

The ornamental design for a wrinkle guard, as shown and described.

DESCRIPTION

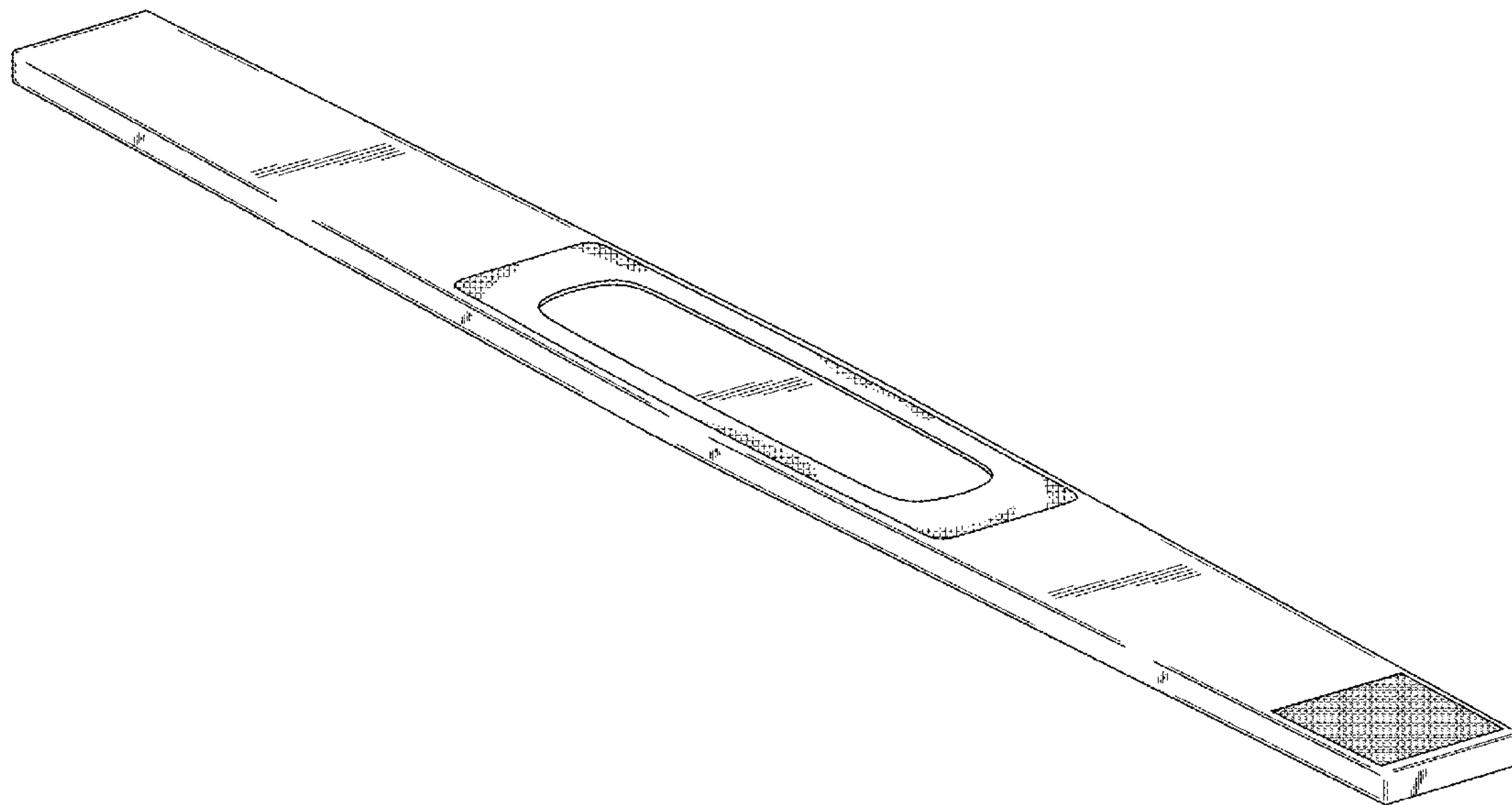
FIG. 1 is a perspective view of a wrinkle guard;
FIG. 2 is a front view thereof;
FIG. 3 is a rear view thereof;
FIG. 4 is a left-hand side view thereof, wherein a right-hand side view is a mirror image of the left-hand side view;
FIG. 5 is a top view thereof; and,
FIG. 6 is a bottom view thereof.

1 Claim, 5 Drawing Sheets

(56) **References Cited**

U.S. PATENT DOCUMENTS

1,559,732	A	*	11/1925	Arnold	606/204.35
3,154,071	A		10/1964	Haagen		
D266,192	S	*	9/1982	Feinbloom et al.	D26/39
4,892,092	A	*	1/1990	Klein	606/204.35
5,067,482	A		11/1991	Reid		



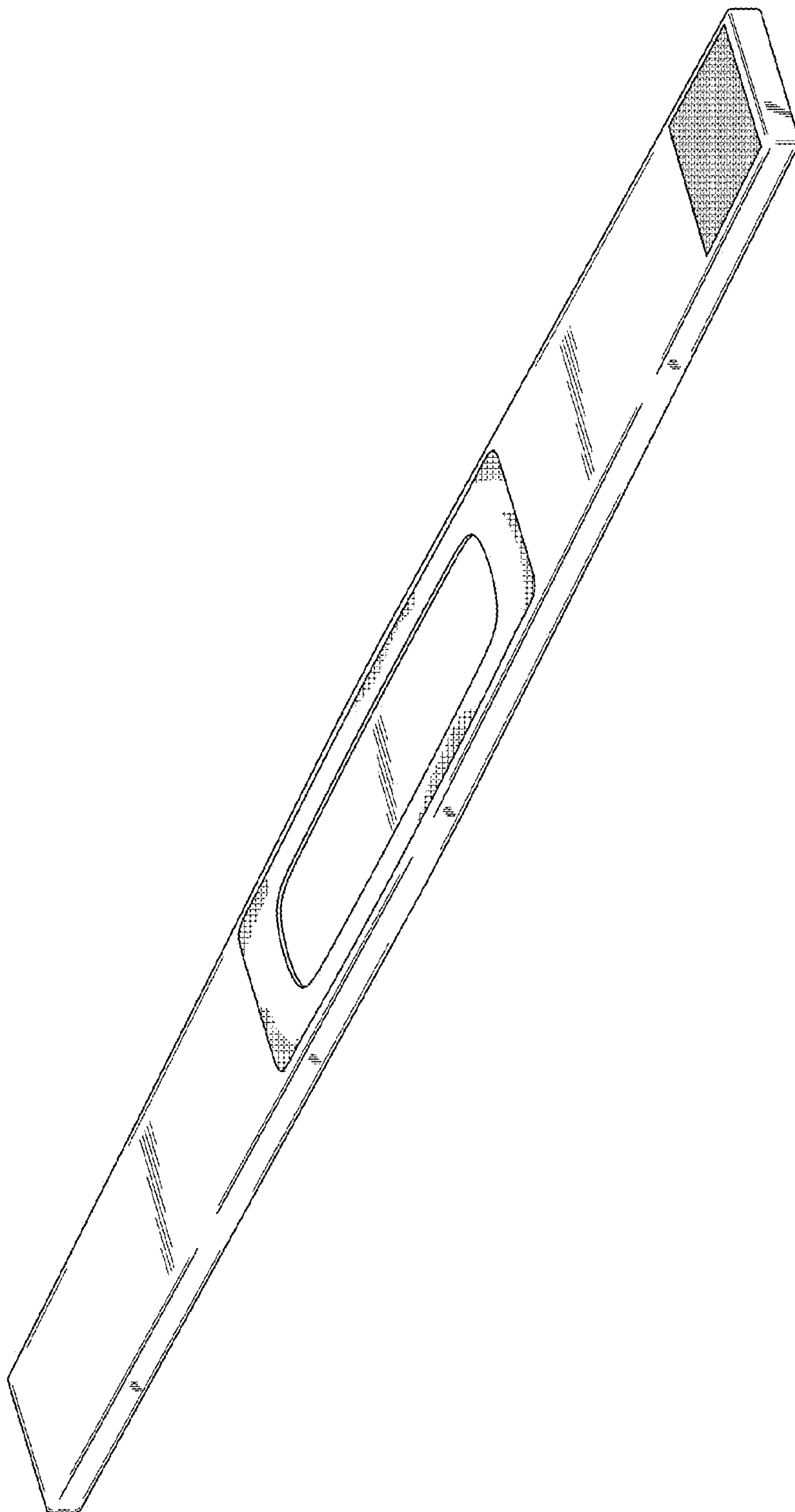


Fig. 1

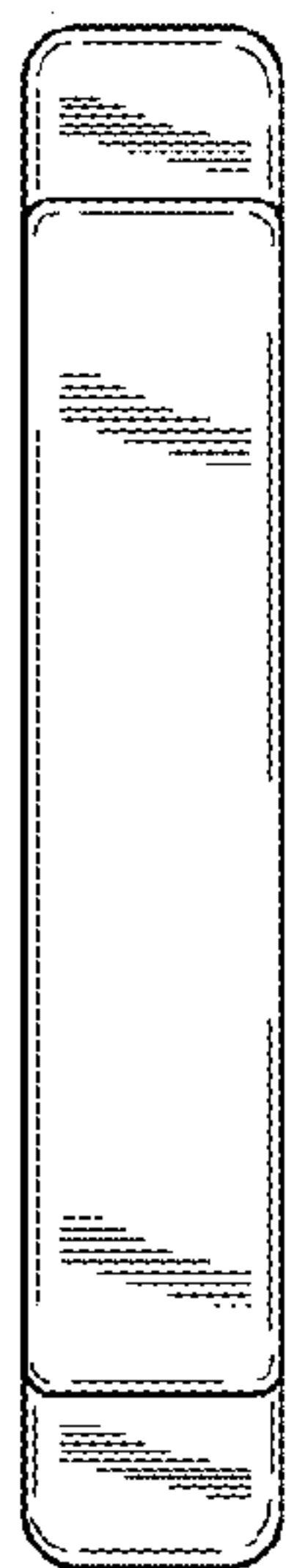


Fig. 2

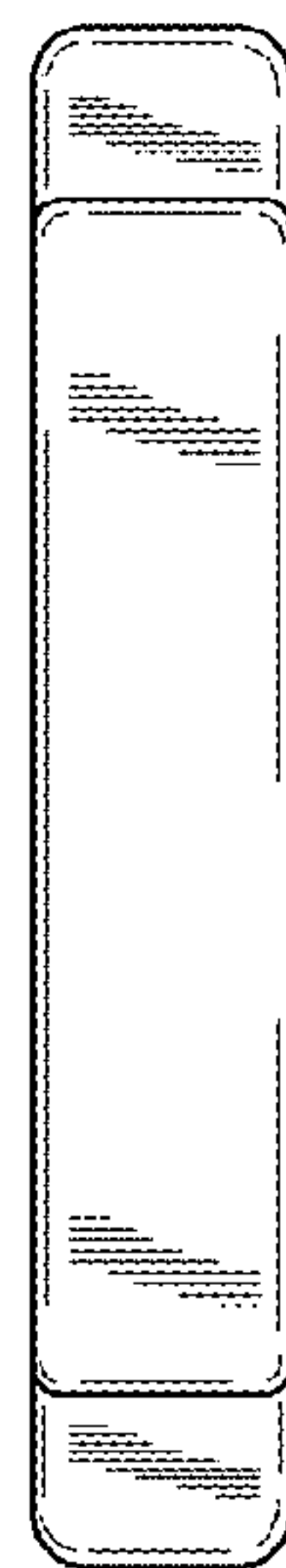


Fig. 3



Fig. 4

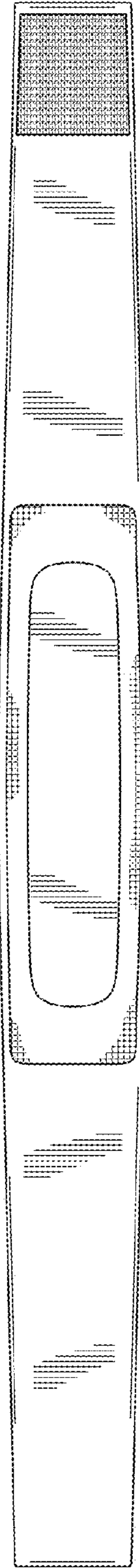


Fig. 5



Fig. 6