



US00D712043S

(12) **United States Design Patent**
Sliger

(10) **Patent No.:** **US D712,043 S**

(45) **Date of Patent:** **** Aug. 26, 2014**

(54) **ULTRASOUND SCANNER SUPPORT**

(75) **Inventor:** **Bradley J. Sliger**, Seattle, WA (US)

(73) **Assignee:** **FUJIFILM SonoSite, Inc.**, Bothell, WA (US)

(**) **Term:** **14 Years**

(21) **Appl. No.:** **29/385,083**

(22) **Filed:** **Feb. 8, 2011**

(51) **LOC (10) Cl.** **24-02**

(52) **U.S. Cl.**
USPC **D24/186**

(58) **Field of Classification Search**
USPC D24/130, 138, 140, 155, 156, 167,
D24/186-187, 200, 231-232; 600/437, 459,
600/461; 601/2; 606/70-71, 166, 246-249,
606/258, 267, 280, 286, 283; 607/2, 5, 36,
607/129; D8/354, 356; D10/60

See application file for complete search history.

(56) **References Cited**

U.S. PATENT DOCUMENTS

4,688,578	A *	8/1987	Takano et al.	600/459
4,787,070	A *	11/1988	Suzuki et al.	601/2
4,796,632	A *	1/1989	Boyd et al.	600/459
D327,740	S *	7/1992	Arioka et al.	D24/186
D375,450	S *	11/1996	Bidwell et al.	D8/356
5,623,931	A *	4/1997	Wung et al.	600/461
D391,838	S *	3/1998	Bidwell et al.	D8/356
D412,032	S *	7/1999	Mikula-Curtis et al.	D24/140
D424,693	S *	5/2000	Pruter	D24/130
6,475,152	B1 *	11/2002	Kelly et al.	600/461
D520,139	S *	5/2006	Chaggares	D24/187

D566,284	S *	4/2008	Kitayama et al.	D10/60
7,452,331	B1 *	11/2008	Pruter	600/461
D585,556	S *	1/2009	Kosaku	D24/186
D598,730	S *	8/2009	Luo et al.	D8/354
D603,050	S *	10/2009	Chen	D24/187
D603,520	S *	11/2009	Ninomiya et al.	D24/187
D609,814	S *	2/2010	Banryu	D24/187
D629,527	S *	12/2010	Crunkilton	D24/187
D630,756	S *	1/2011	Kitayama	D24/187
D630,757	S *	1/2011	Kitayama	D24/187
D638,131	S *	5/2011	Buckels et al.	D24/187
8,118,743	B2 *	2/2012	Park et al.	600/437
2011/0313293	A1 *	12/2011	Lindekugel et al.	600/461

* cited by examiner

Primary Examiner — T. Chase Nelson

Assistant Examiner — Mark Cavanna

(74) *Attorney, Agent, or Firm* — Perkins Coie LLP

(57) **CLAIM**

The ornamental design for an ultrasound scanner support, as shown and described.

DESCRIPTION

FIG. 1 is a top, left isometric view of an ultrasound scanner support showing my design.

FIG. 2 is a front elevational view thereof.

FIG. 3 is a rear elevational view thereof.

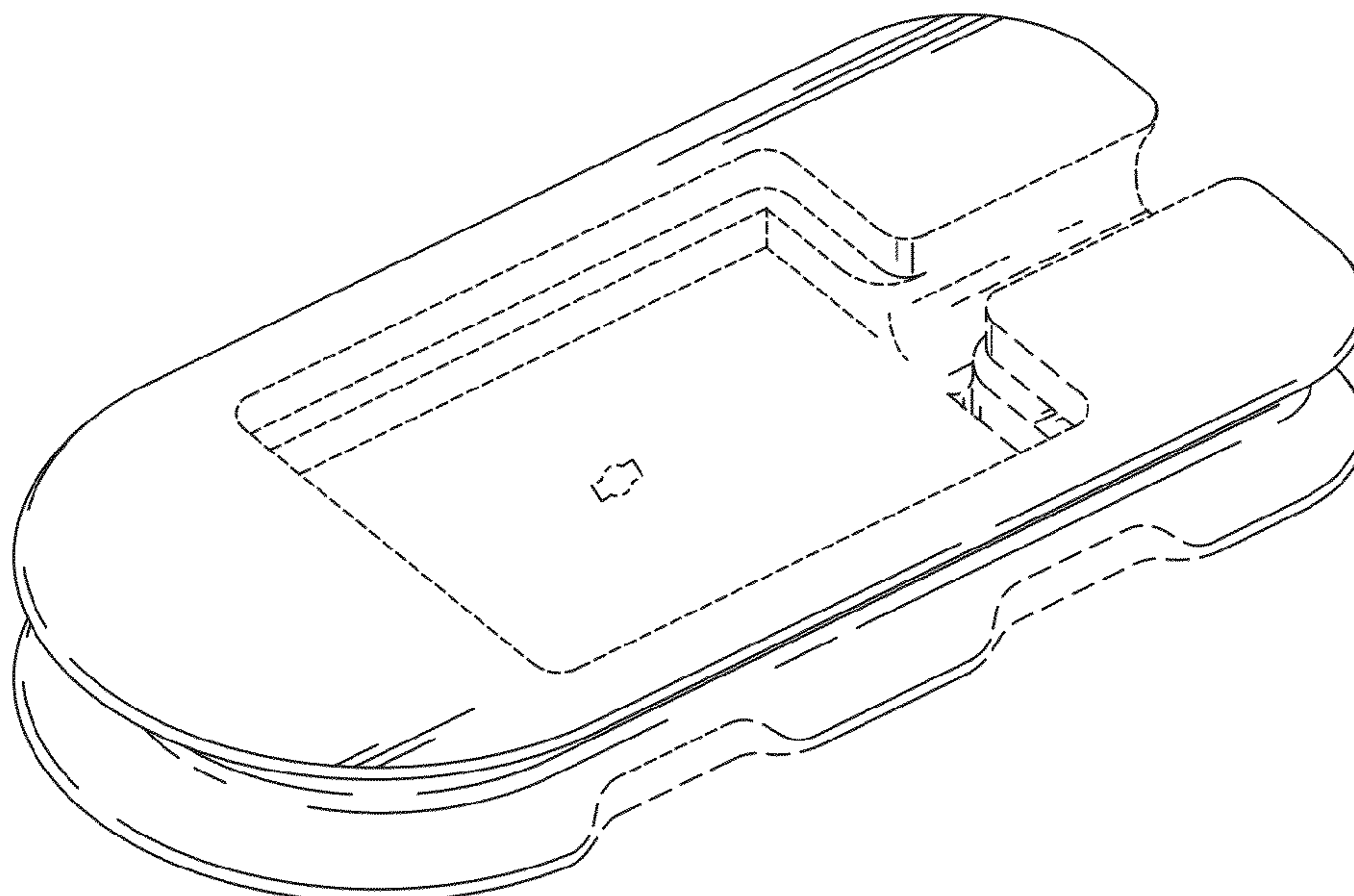
FIG. 4 is a right-side elevational view thereof with the left-side view being a mirror image of FIG. 4.

FIG. 5 is a top plan view thereof; and,

FIG. 6 is a bottom plan view thereof.

The broken lines are included for the purpose of illustrating portions of the ultrasound scanner support that form no part of the claimed design.

1 Claim, 2 Drawing Sheets



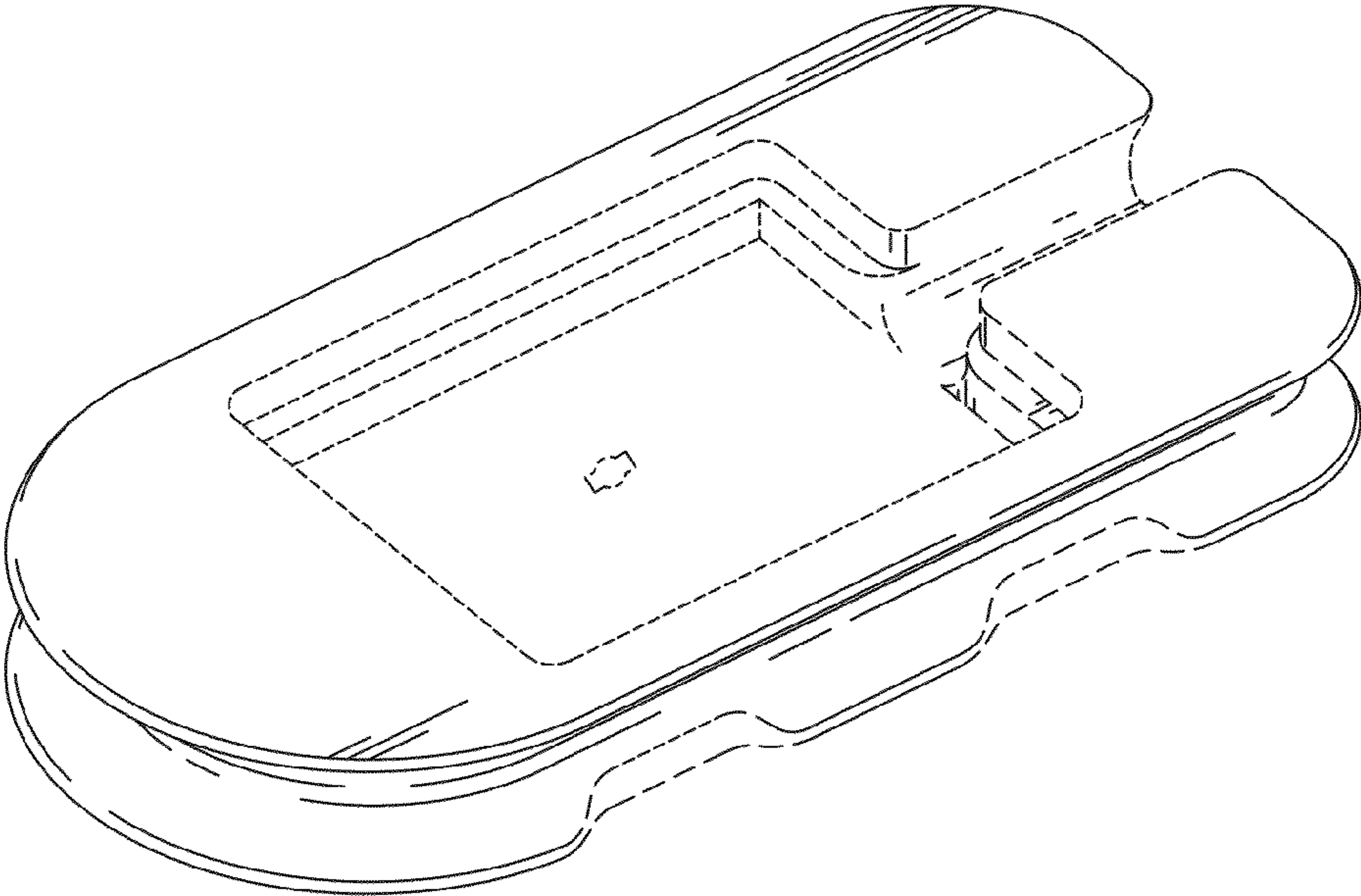


Fig. 1

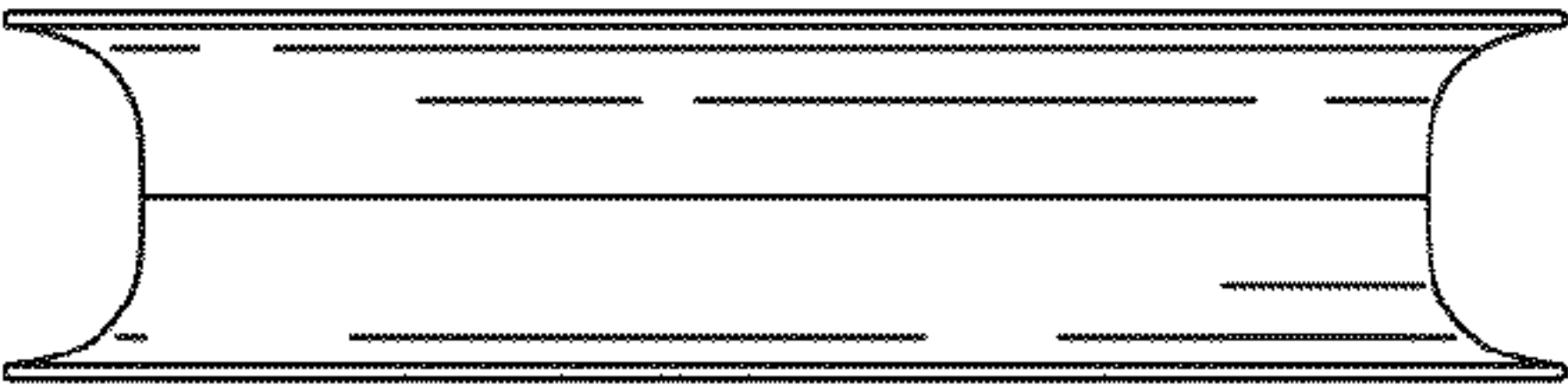


Fig. 2

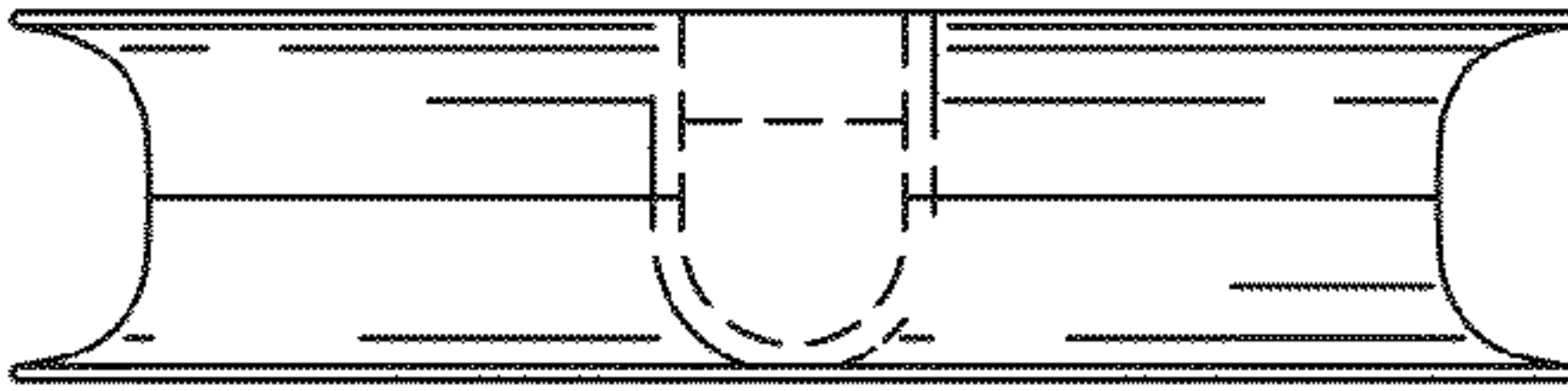


Fig. 3

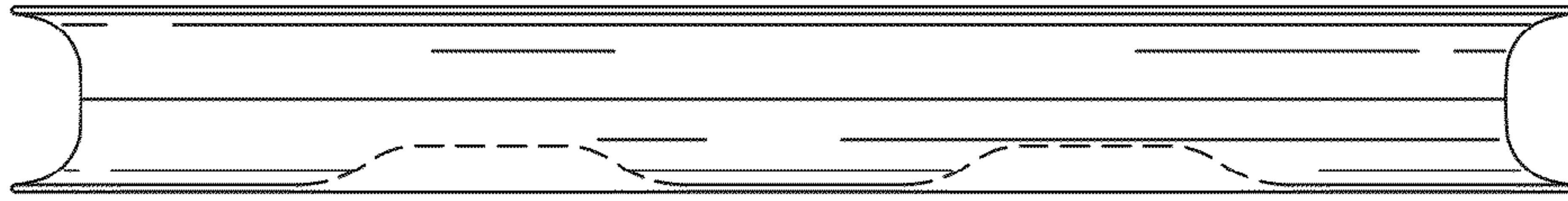


Fig. 4

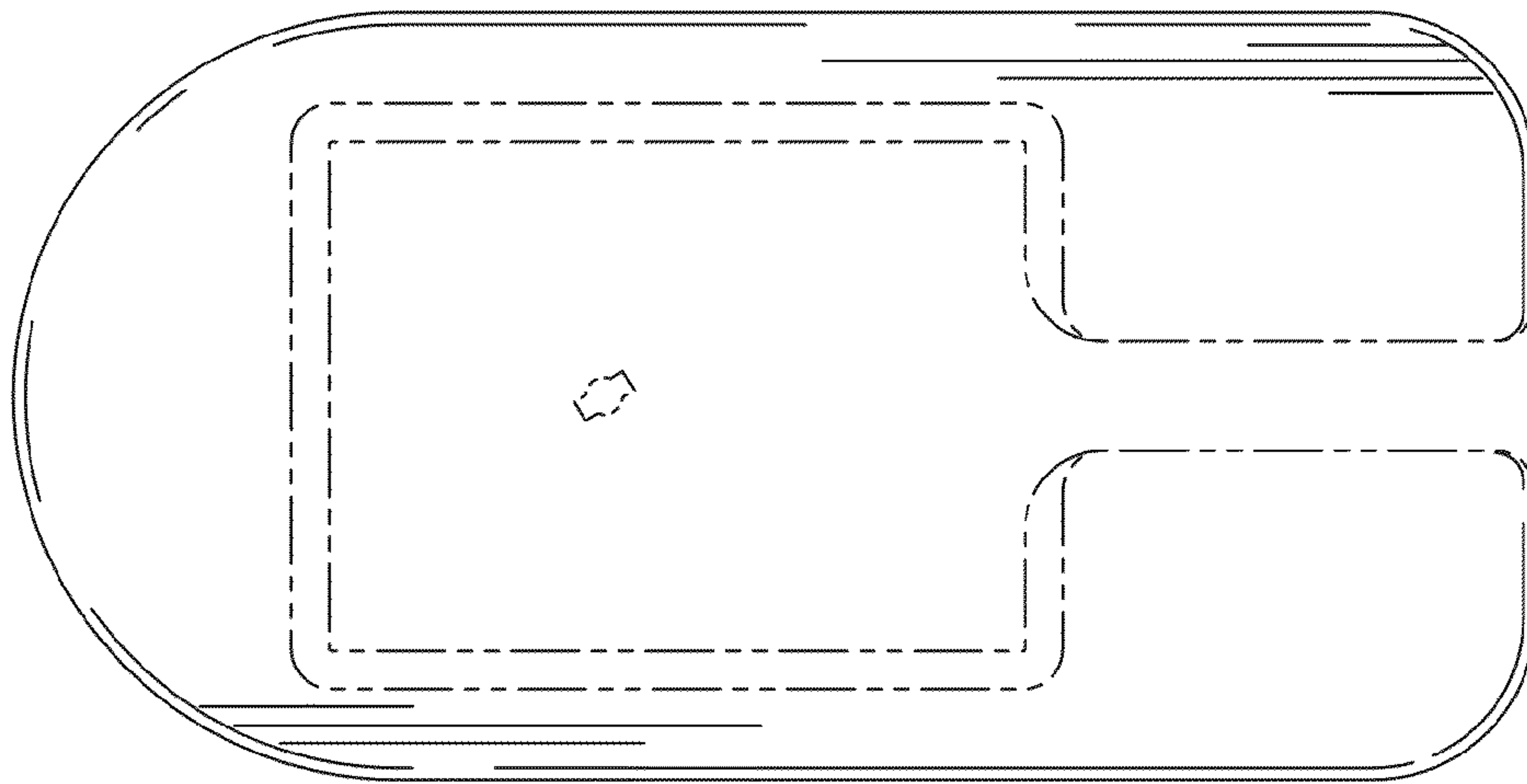


Fig. 5

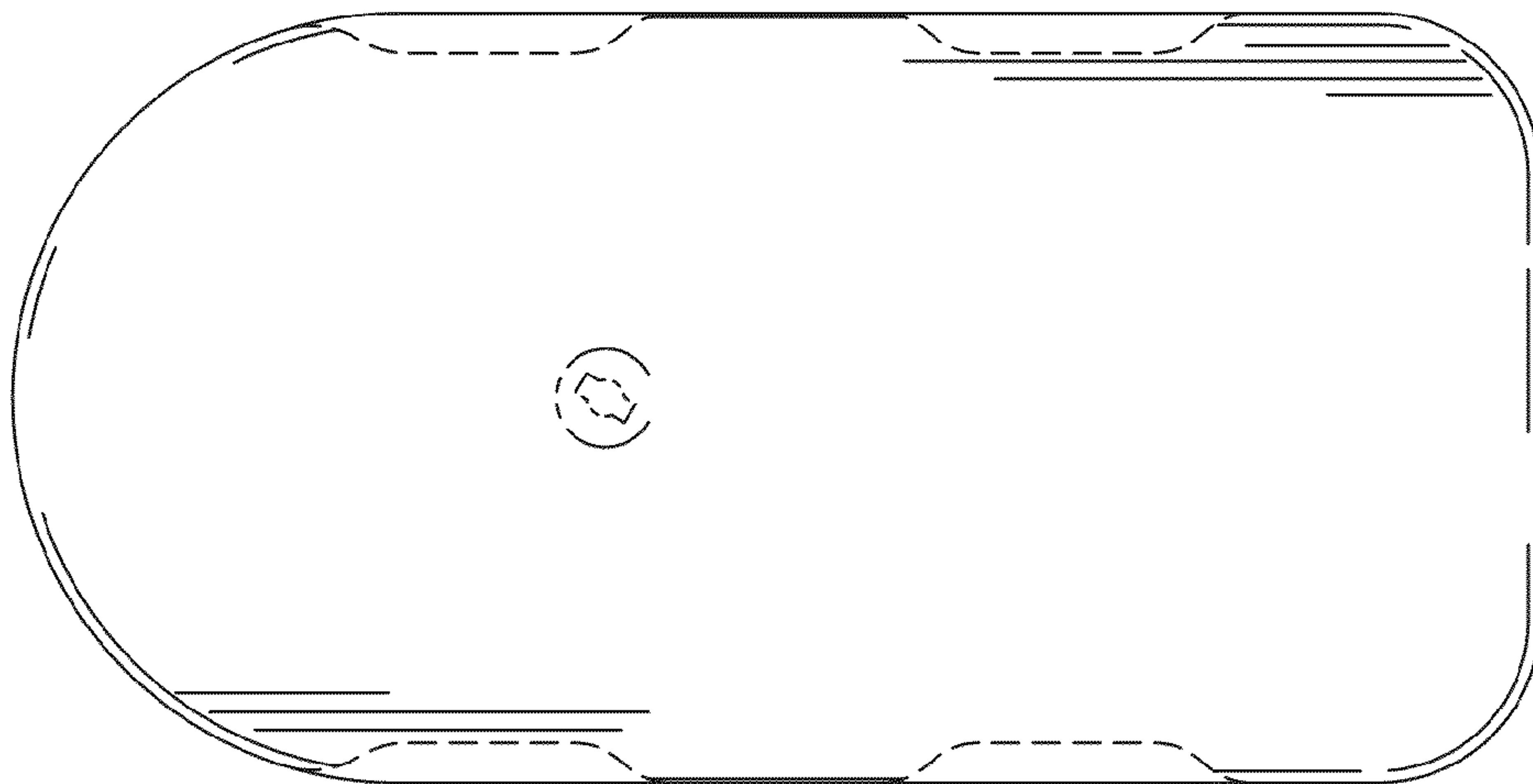


Fig. 6