



US00D712042S

(12) **United States Design Patent**
Chung et al.

(10) **Patent No.:** **US D712,042 S**

(45) **Date of Patent:** **** Aug. 26, 2014**

(54) **CART FOR ULTRASONIC DIAGNOSTIC EQUIPMENT**

(56) **References Cited**

(75) Inventors: **Yeon-Moo Chung**, Seoul (KR); **Jun-Pil Moon**, Seoul (KR)

(73) Assignee: **Samsung Electronics Co., Ltd.**, Suwon-si (KR)

(**) Term: **14 Years**

(21) Appl. No.: **29/431,331**

(22) Filed: **Sep. 6, 2012**

(30) **Foreign Application Priority Data**

Jun. 26, 2012 (KR) 30-2012-0031068

(51) **LOC (10) Cl.** **24-00**

(52) **U.S. Cl.**
USPC **D24/185**

(58) **Field of Classification Search**
USPC D24/146, 185, 135, 140, 147, 155, 139, D24/114, 212-213, 192, 215, 130, 133, 171, D24/141; 601/33, 134; 606/900, 86 A, 104, 606/90, 88, 86 R, 324, 295, 288, 68, 272, 606/267, 265, 266, 257, 251, 246, 57, 54, 606/916, 105, 96, 80, 60, 53, 64, 62, 63, 606/66; 128/845, 882, 893; 602/5, 6, 11, 602/12, 30, 40, 39, 28, 29; D29/121.2; 36/93, 94; 408/214

See application file for complete search history.

U.S. PATENT DOCUMENTS

D325,440 S *	4/1992	Landis et al.	D24/185
D613,867 S *	4/2010	Tanaka et al.	D24/185
D626,235 S *	10/2010	Smith et al.	D24/158
D626,239 S *	10/2010	Lia et al.	D24/185
D632,797 S *	2/2011	Ross et al.	D24/185
D648,855 S *	11/2011	Smith et al.	D24/158
D650,142 S *	12/2011	McRorie	D34/14
D657,470 S *	4/2012	Schon et al.	D24/186
D668,770 S *	10/2012	Tucek et al.	D24/209

OTHER PUBLICATIONS

[http://www.store.gisolutions.com/Product-Catalog/Radvision-Medical-Carts/Radvision-e24 . . . *](http://www.store.gisolutions.com/Product-Catalog/Radvision-Medical-Carts/Radvision-e24...)

* cited by examiner

Primary Examiner — Ian Simmons

Assistant Examiner — Rhea Shields

(74) *Attorney, Agent, or Firm* — Jefferson IP Law, LLP

(57) **CLAIM**

The ornamental design for a cart for ultrasonic diagnostic equipment, as shown and described.

DESCRIPTION

FIG. 1 is a perspective view of cart for ultrasonic diagnostic equipment, showing a new design;
FIG. 2 is a front elevational view thereof;
FIG. 3 is a rear elevational view thereof;
FIG. 4 is a left side elevational view thereof;
FIG. 5 is a right side elevational view thereof;
FIG. 6 is a top plan view thereof; and,
FIG. 7 is a bottom plan view thereof.
In the drawings, the broken lines depict unclaimed environment only and forms no part of the claimed design.

1 Claim, 7 Drawing Sheets

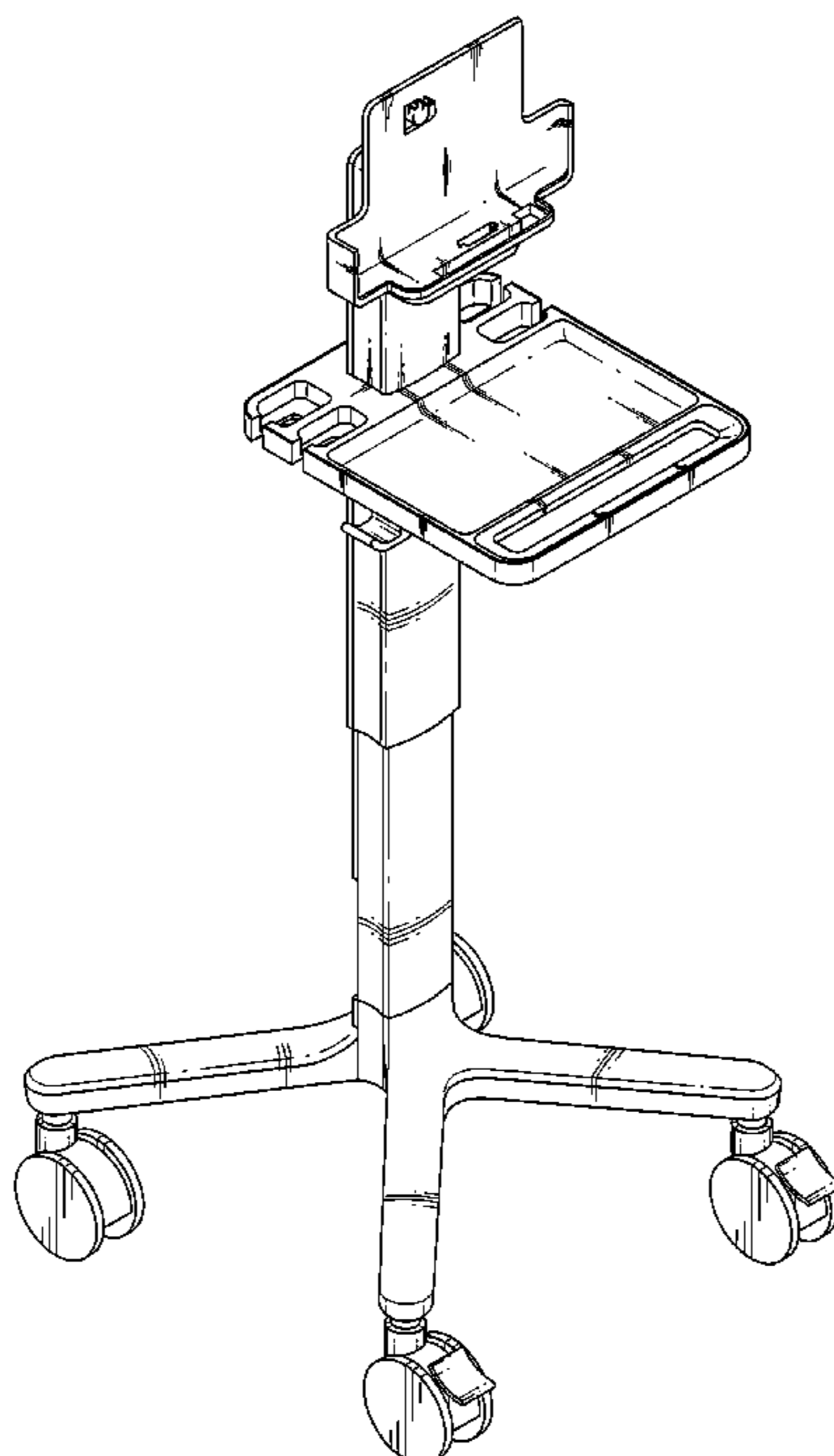


FIG. 1

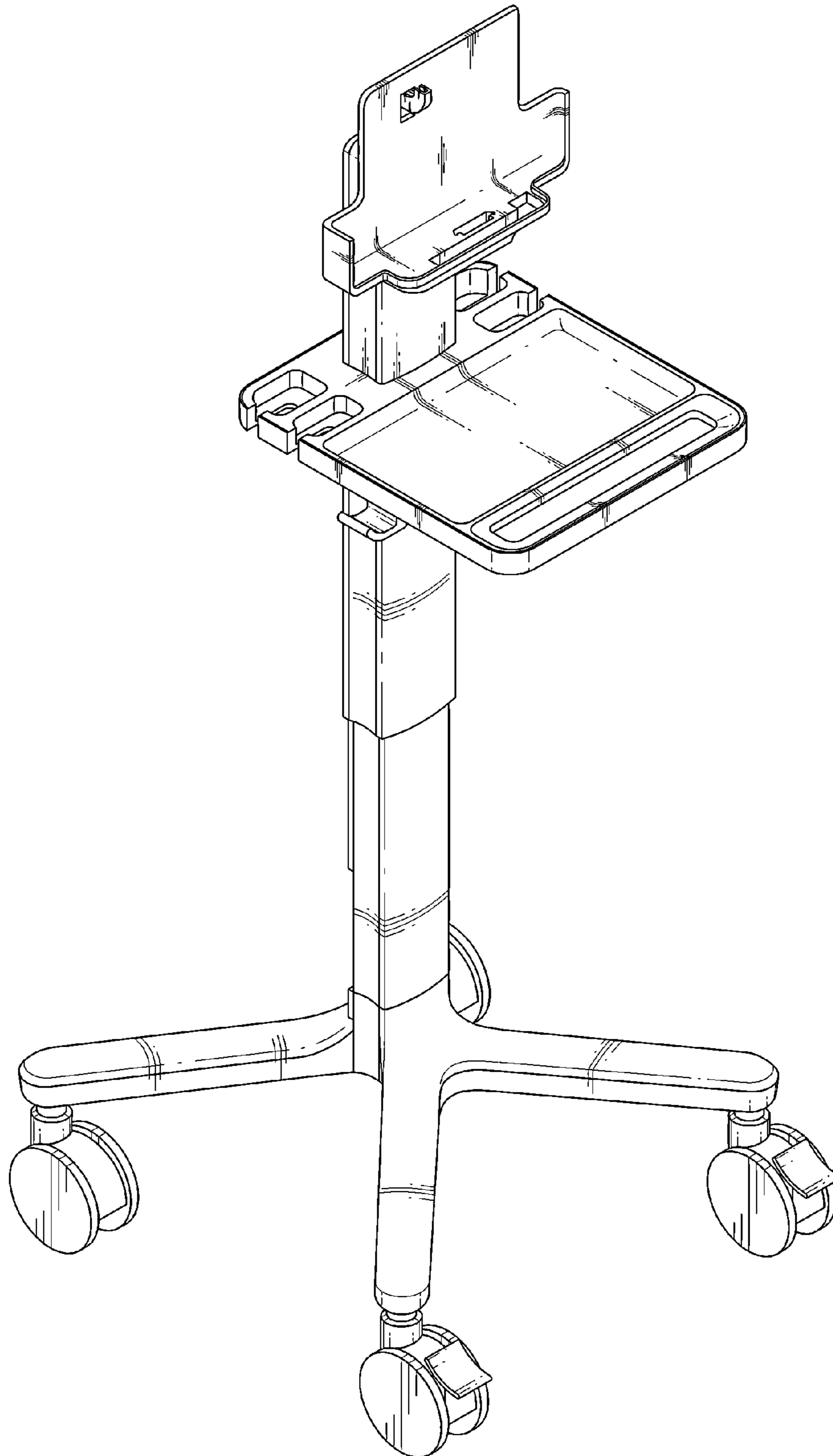


FIG. 2

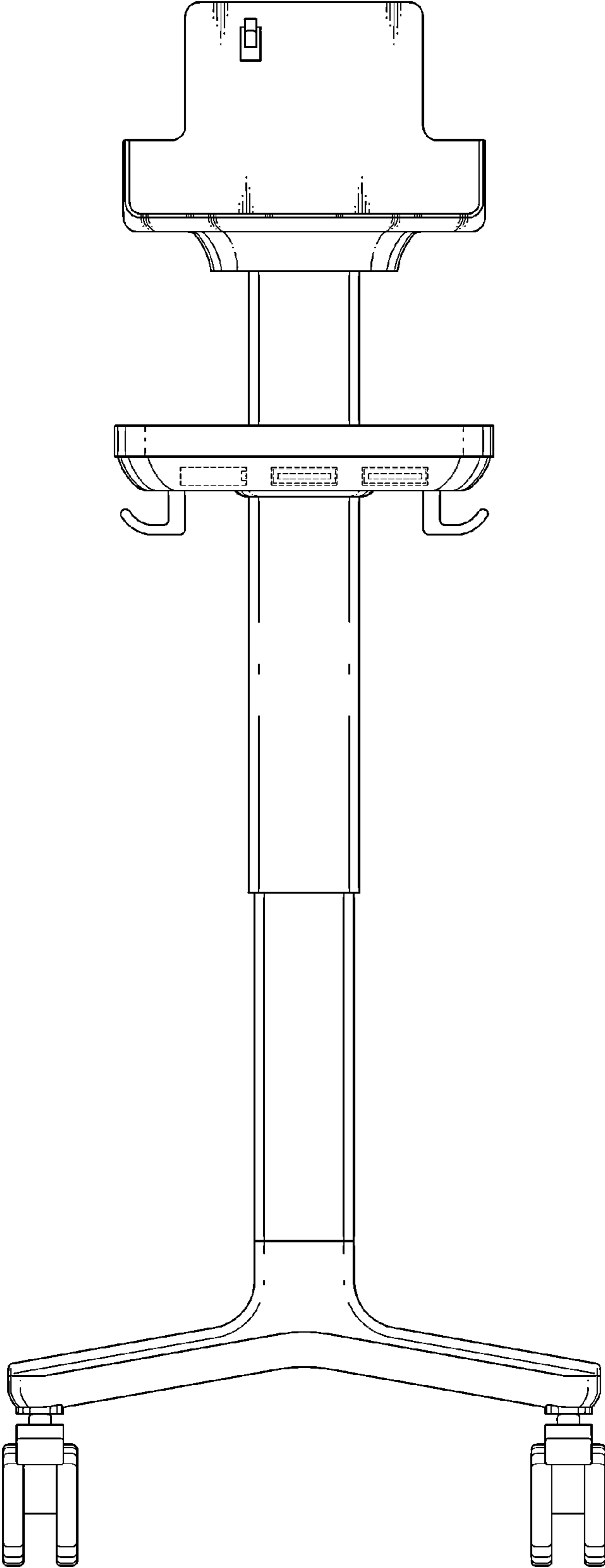


FIG. 3

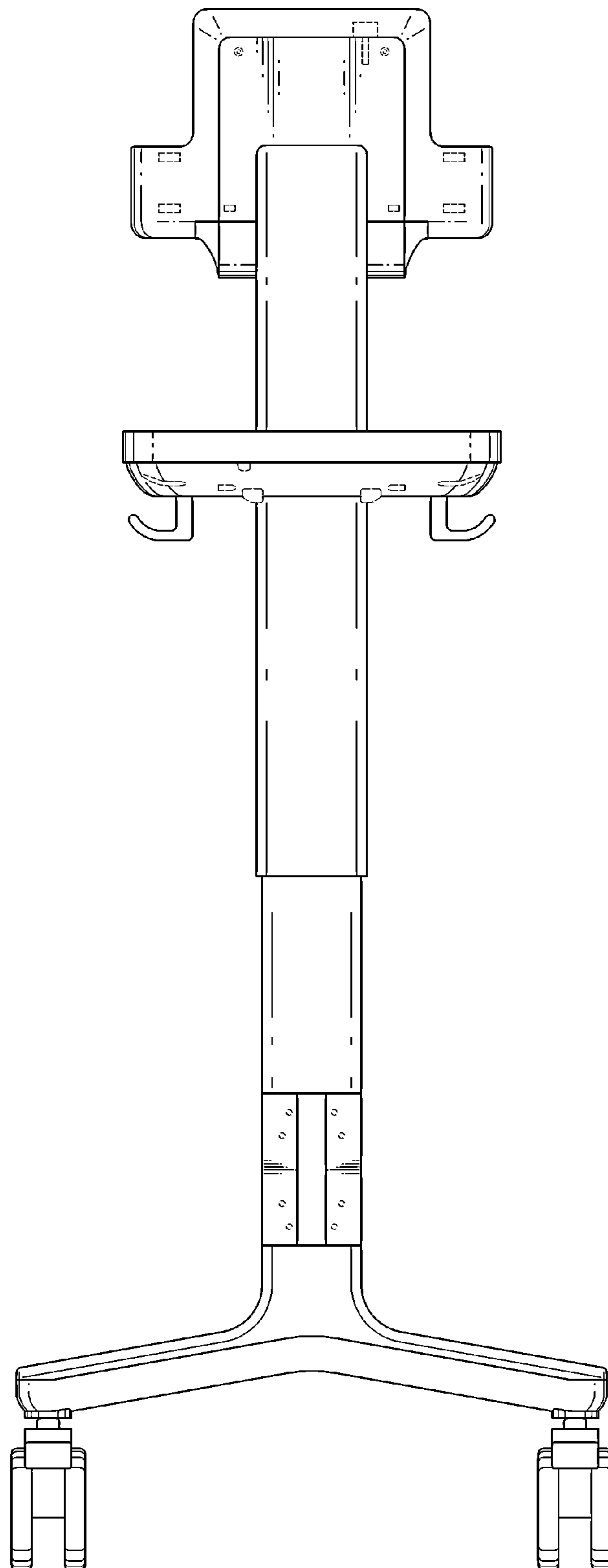


FIG. 4

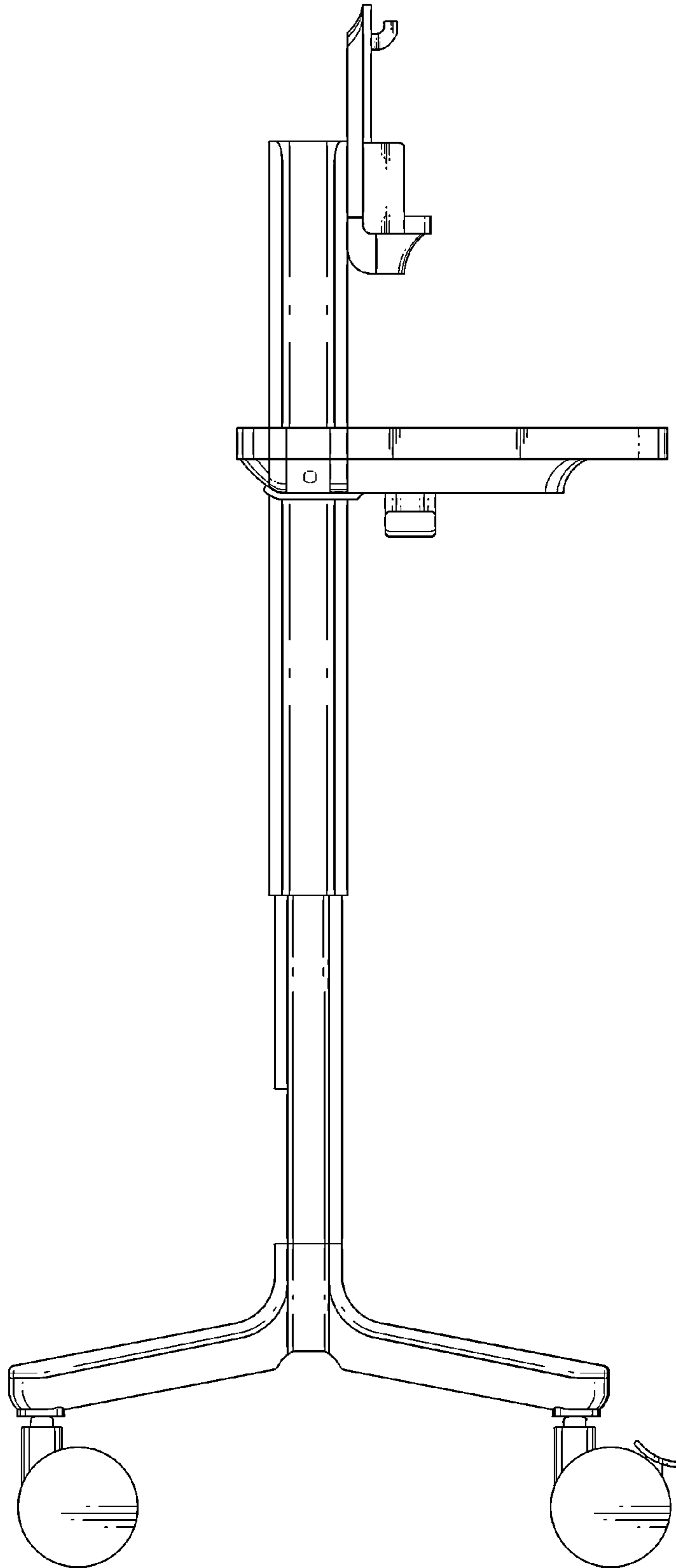


FIG. 5

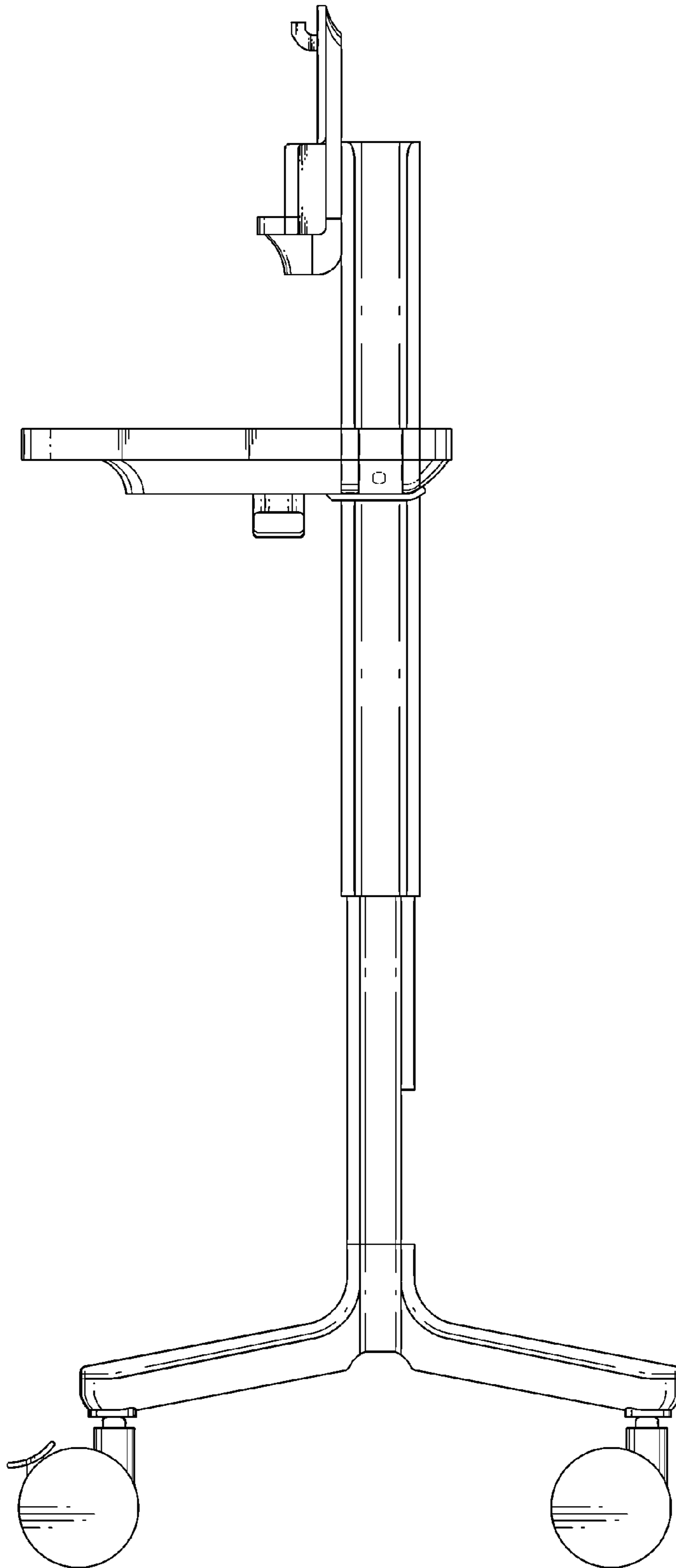


FIG. 6

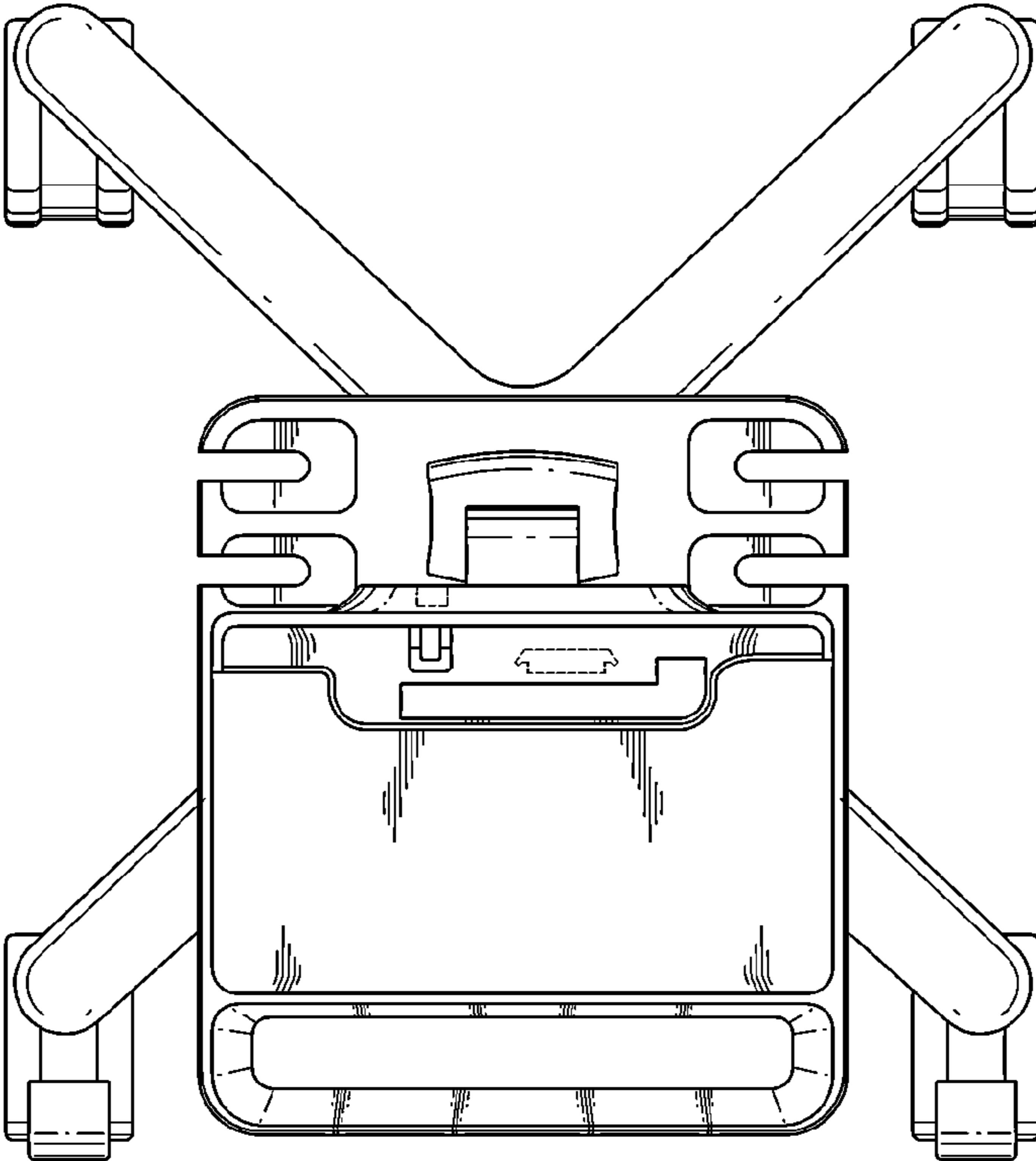


FIG. 7

