



US00D712041S

(12) **United States Design Patent**
Glaesker et al.

(10) **Patent No.:** **US D712,041 S**

(45) **Date of Patent:** **** Aug. 26, 2014**

(54) **MEDICAL TABLE CONTROL UNIT**

(71) Applicant: **Trumpf Medizin Systeme GmbH + Co. KG, Saalfeld (DE)**

(72) Inventors: **Esther Glaesker, Hannover (DE); Dirk Haase, Leipzig (DE)**

(73) Assignee: **Trumpf Medizin Systeme GmbH + Co. KG, Saalfeld (DE)**

(**) Term: **14 Years**

(21) Appl. No.: **29/454,605**

(22) Filed: **May 13, 2013**

(30) **Foreign Application Priority Data**

Nov. 13, 2012 (EP) 2135186

(51) **LOC (10) Cl.** **24-01**

(52) **U.S. Cl.**
USPC **D24/184**

(58) **Field of Classification Search**
USPC D24/183–186, 176–177; D6/382, 718;
D13/162, 168; 5/421, 423, 425, 610,
5/658, 86.1; 340/825.19, 575; 600/425;
D14/174, 218
See application file for complete search history.

(56) **References Cited**

U.S. PATENT DOCUMENTS

6,781,517 B2 * 8/2004 Moster et al. 5/425
D555,244 S * 11/2007 Nakanishi D24/176
D605,297 S * 12/2009 Unsworth D24/177
D605,771 S * 12/2009 Unsworth D24/177
D609,349 S * 2/2010 Pelissier et al. D24/186

8,306,605 B2 * 11/2012 Fukui et al. 600/425
8,410,942 B2 * 4/2013 Chacon et al. 340/575
2003/0076238 A1 * 4/2003 Moster et al. 340/825.19
2007/0245488 A1 * 10/2007 Zimbalista et al. 5/86.1
2011/0083271 A1 * 4/2011 Bhai 5/610
2011/0115635 A1 * 5/2011 Petrovski et al. 5/421
2012/0198613 A1 * 8/2012 Jelinek 5/86.1
2012/0215360 A1 * 8/2012 Zerhusen et al. 5/658
2013/0227783 A1 * 9/2013 Brykalski et al. 5/423

* cited by examiner

Primary Examiner — T. Chase Nelson

Assistant Examiner — Mark Cavanna

(74) *Attorney, Agent, or Firm* — Fish & Richardson P.C.

(57) **CLAIM**

The ornamental design for a medical table control unit, substantially as shown and described.

DESCRIPTION

FIG. 1 is a front perspective view of our medical table control unit.

FIG. 2 is a front view of the medical table control unit of FIG. 1.

FIG. 3 is a left side view of the medical table control unit of FIG. 1.

FIG. 4 is a back view of the medical table control unit of FIG. 1.

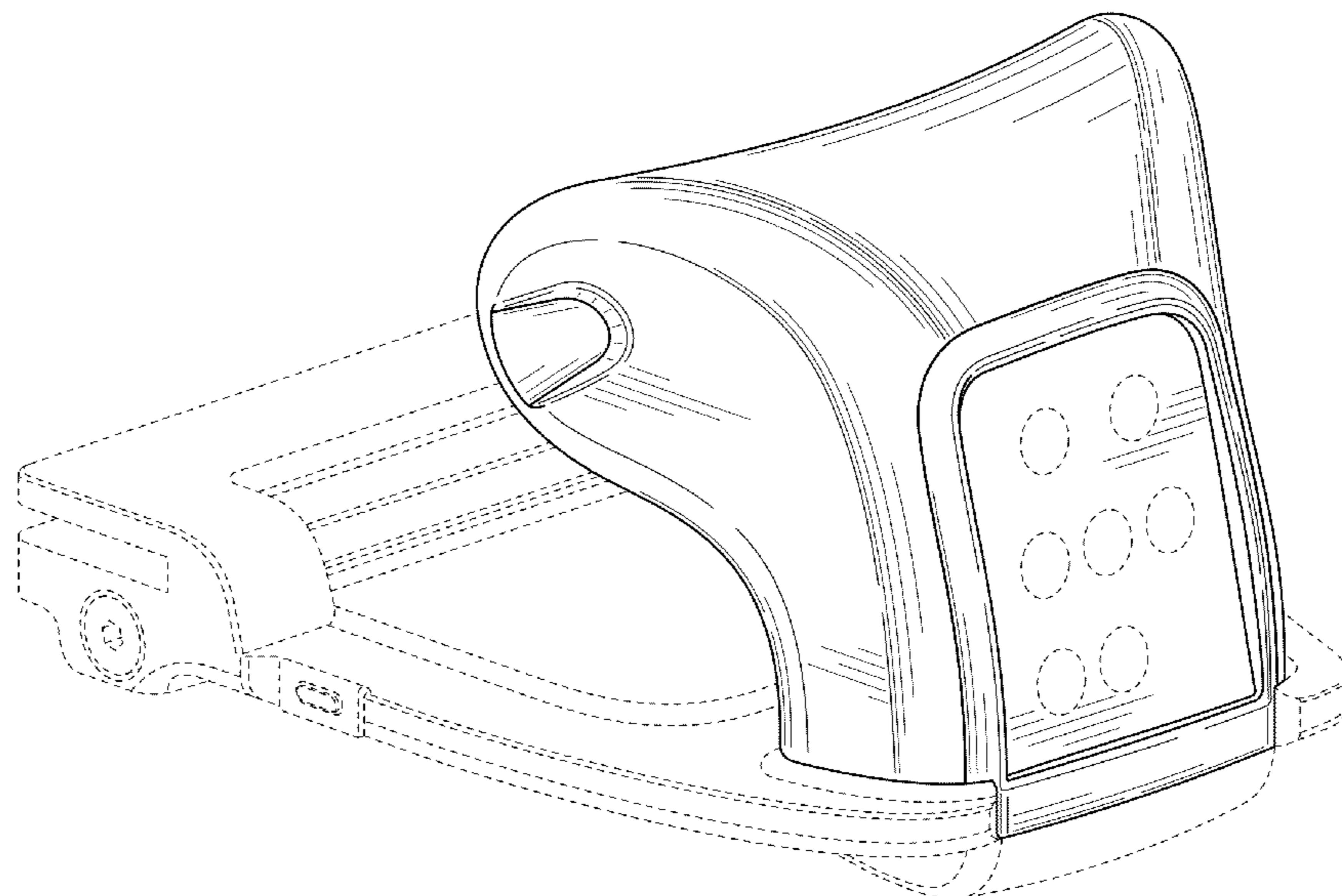
FIG. 5 is a right side view of the medical table control unit of FIG. 1.

FIG. 6 is a top view of the medical table control unit of FIG. 1; and,

FIG. 7 is a bottom view of the medical table control unit of FIG. 1.

The broken lines illustrate environmental features that form no part of the claimed design.

1 Claim, 4 Drawing Sheets



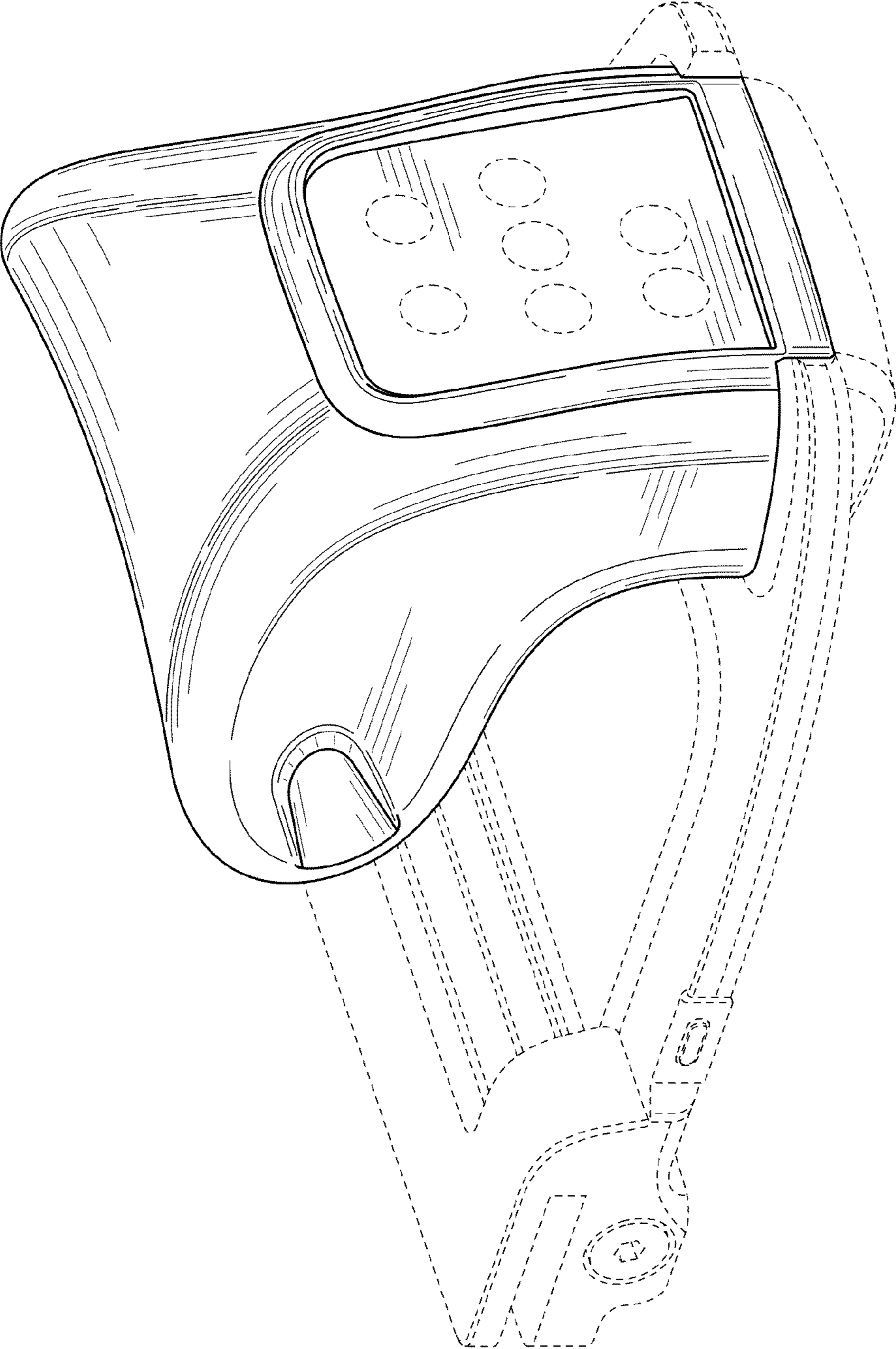


FIG. 1

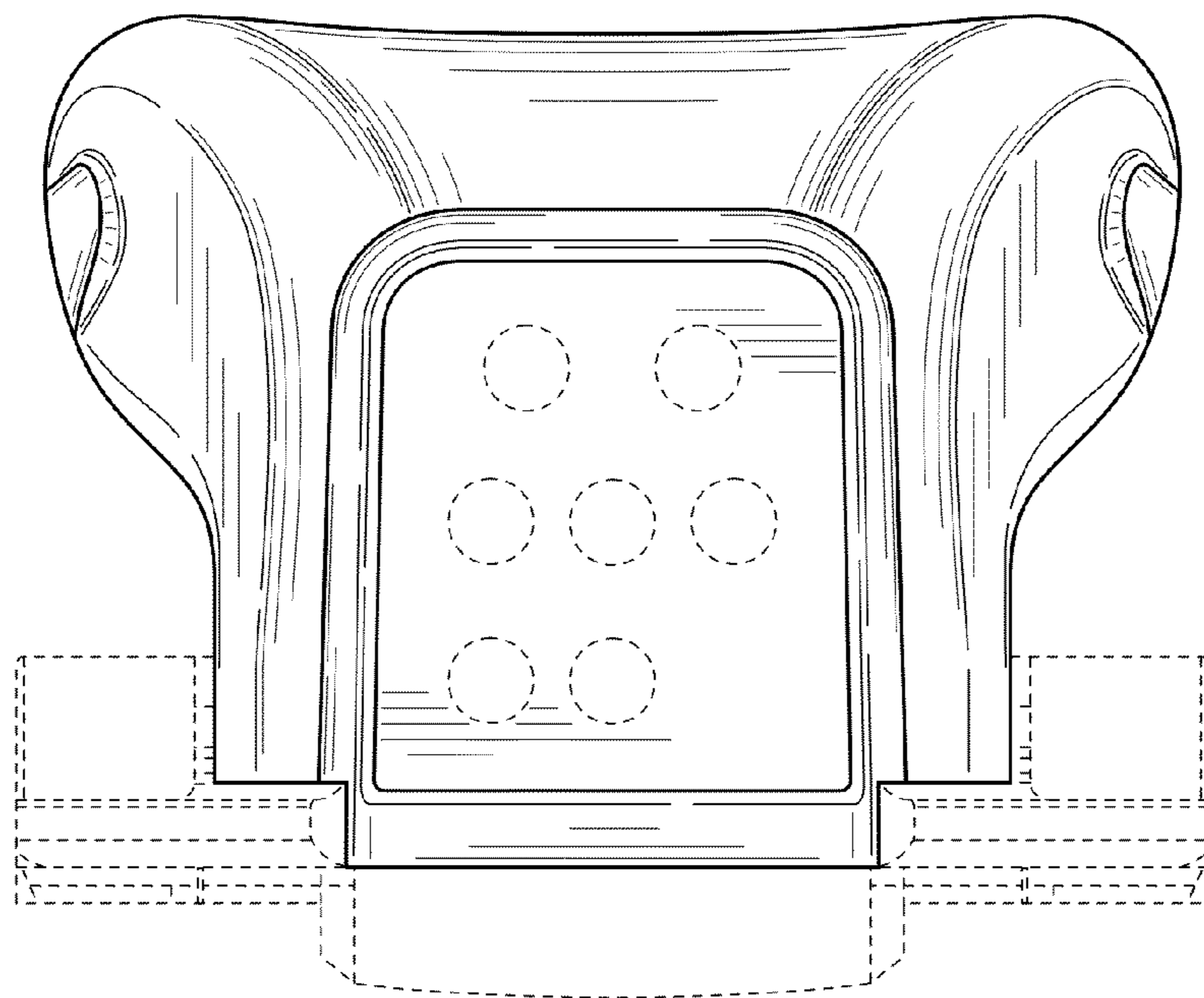


FIG. 2

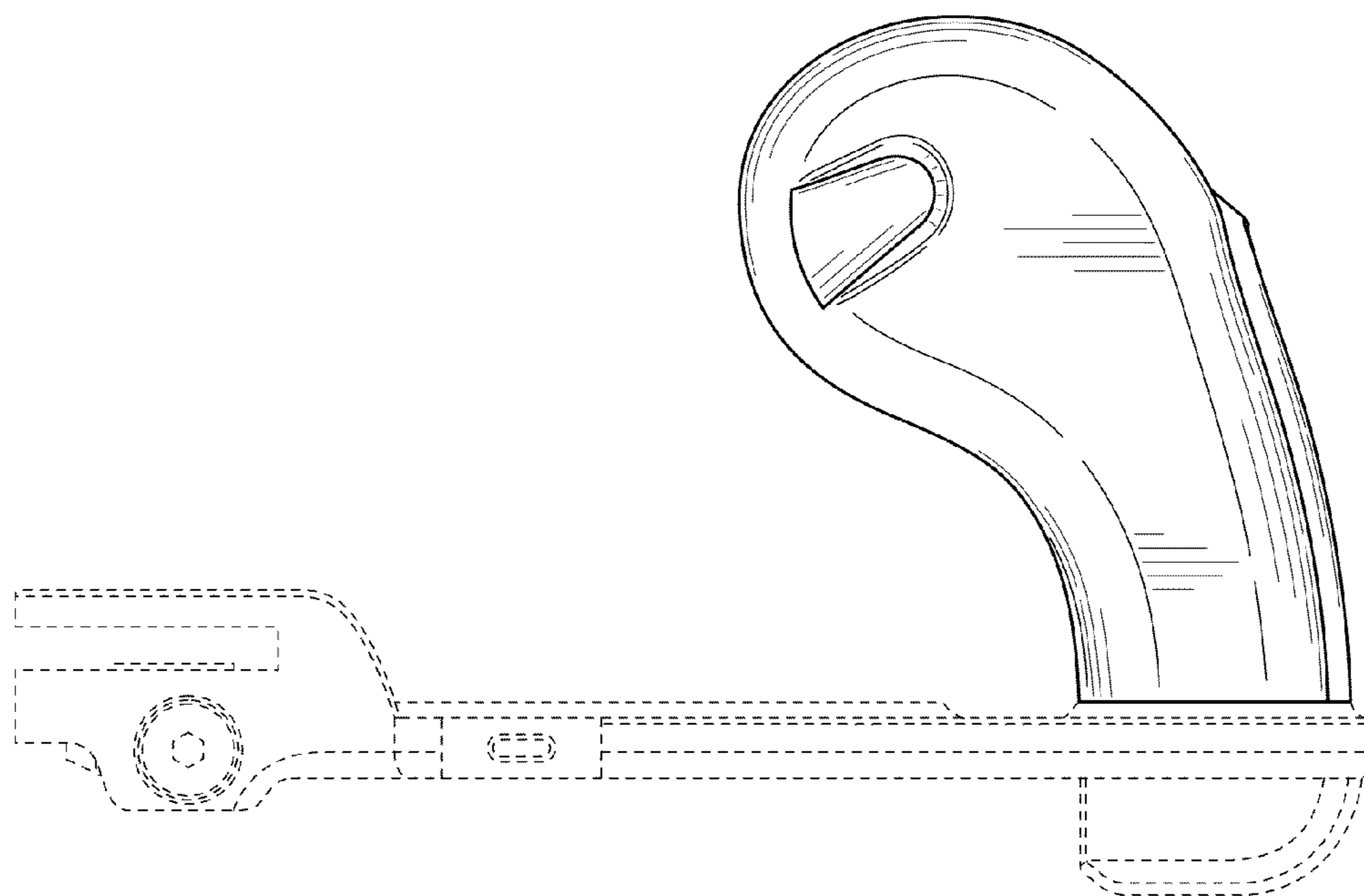


FIG. 3

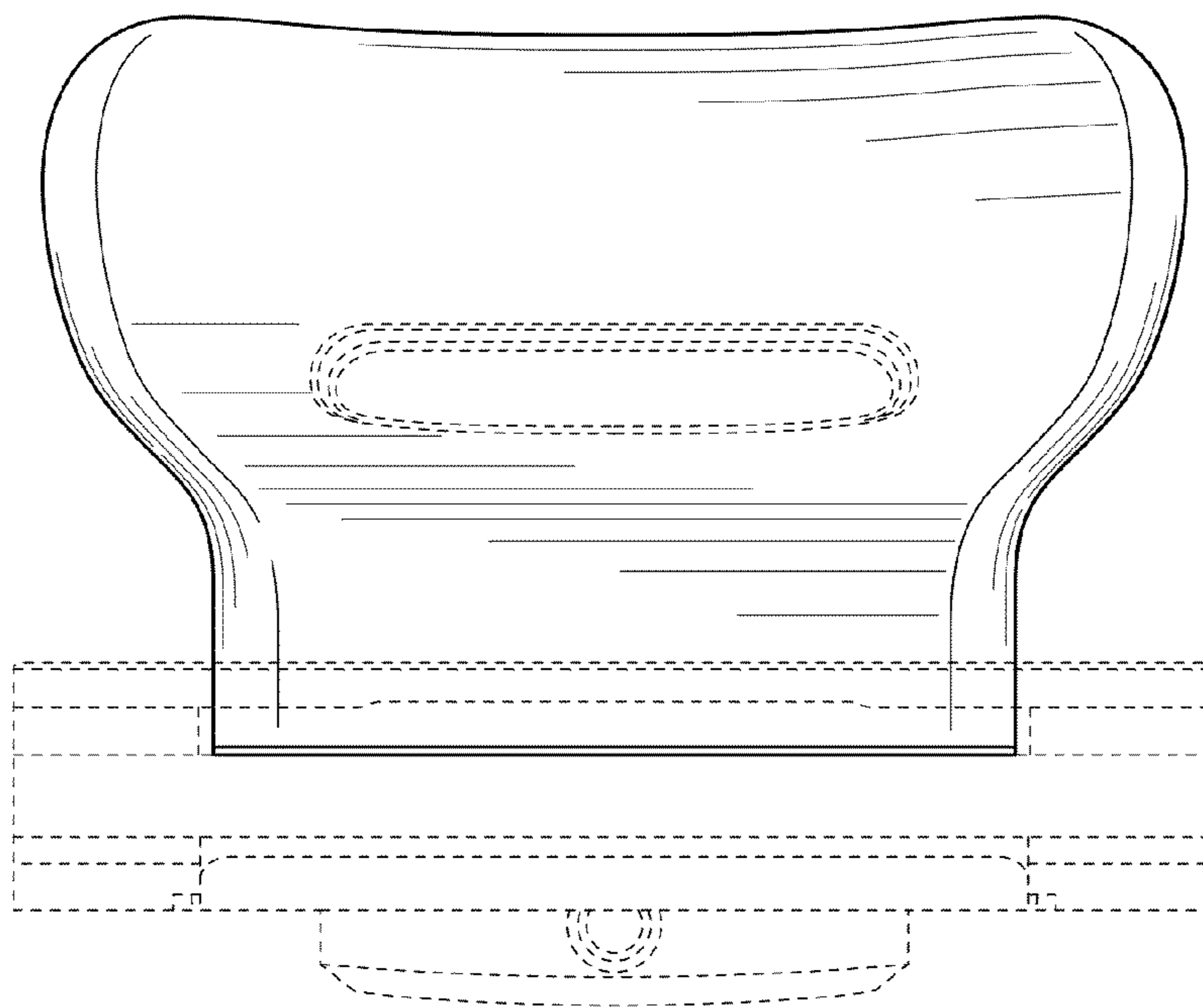


FIG. 4

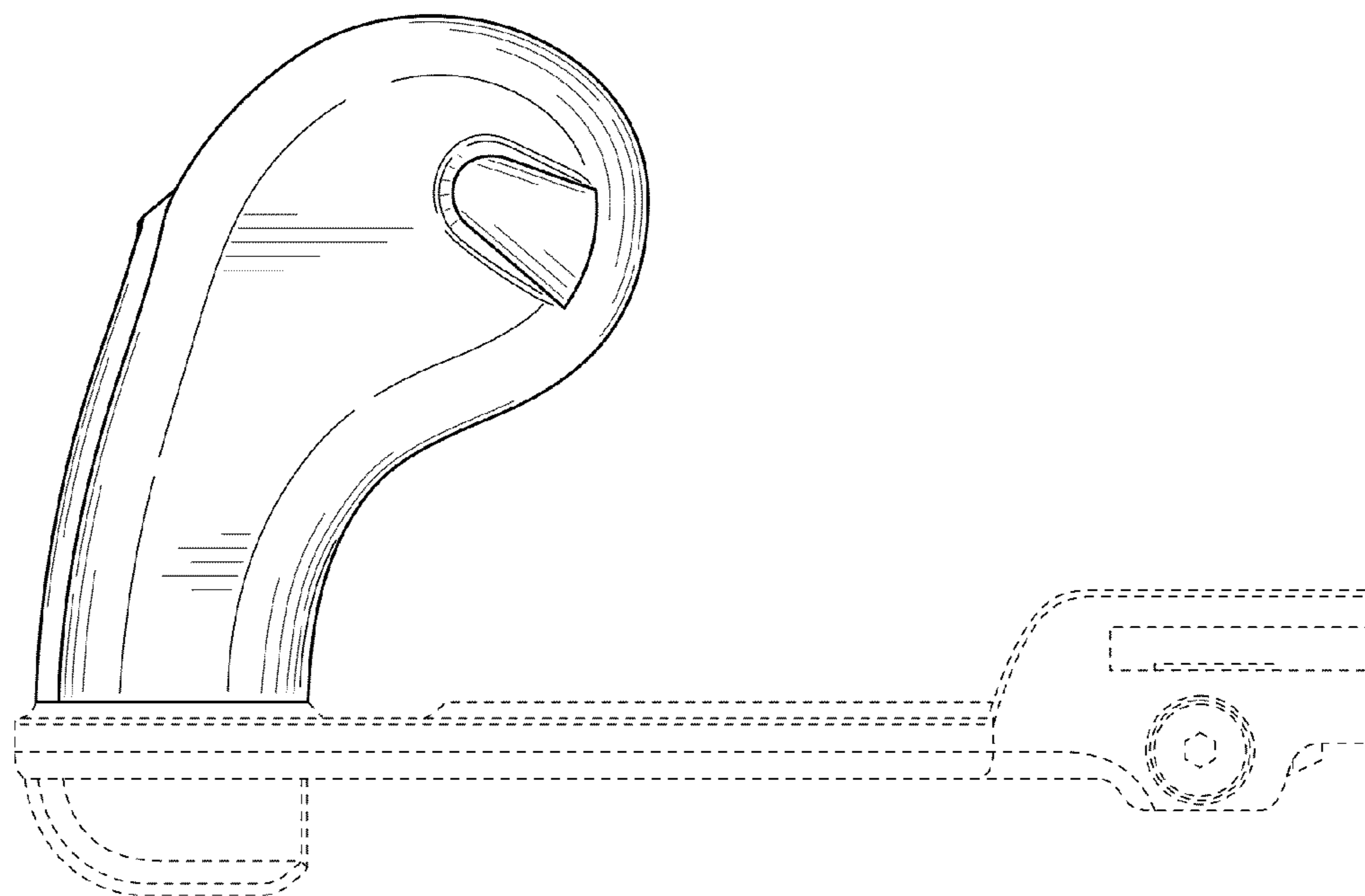


FIG. 5

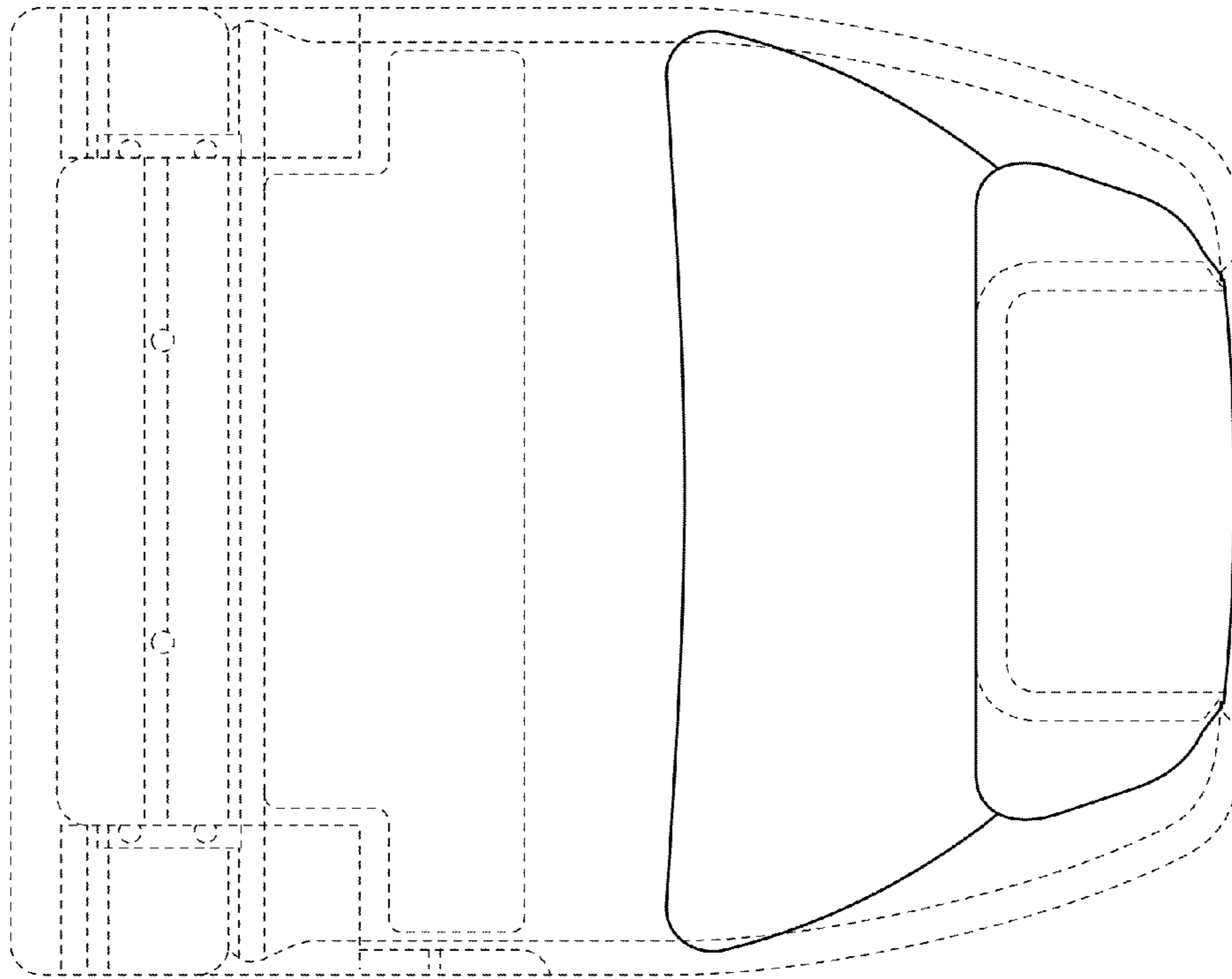


FIG. 7

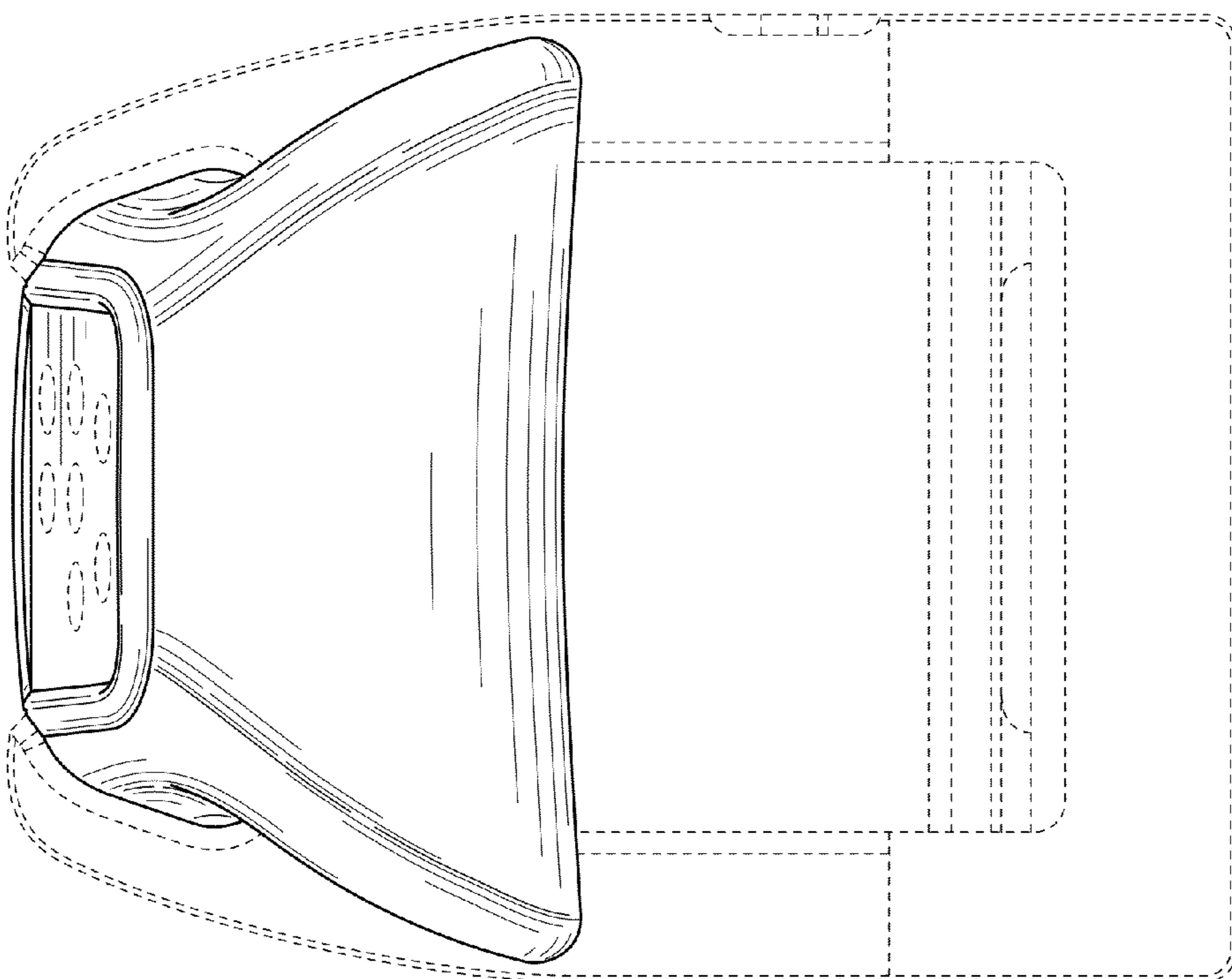


FIG. 6