



US00D712040S

(12) **United States Design Patent**
Schuerch

(10) **Patent No.:** **US D712,040 S**

(45) **Date of Patent:** **** Aug. 26, 2014**

- (54) **SURGICAL TABLE POST CLAMP**
- (76) Inventor: **Peter Schuerch**, Quincy, MA (US)
- (**) Term: **14 Years**
- (21) Appl. No.: **29/370,104**
- (22) Filed: **Jun. 7, 2010**
- (51) **LOC (10) Cl.** **24-01**
- (52) **U.S. Cl.**
USPC **D24/184**
- (58) **Field of Classification Search**
USPC D24/127-129, 135, 143, 183-184;
D8/72, 394; 600/227, 234; 5/646, 623;
403/59, 385, 396; 248/231.51, 286.1,
248/287.1, 218.4
See application file for complete search history.

- D606,832 S * 12/2009 Wan et al. D8/72
- 7,857,271 B2 * 12/2010 Lees 248/286.1
- D633,208 S * 2/2011 Murner D24/155
- 2003/0199738 A1 * 10/2003 Yager 600/227
- 2003/0229273 A1 * 12/2003 Mulac et al. 600/234
- 2006/0039750 A1 * 2/2006 Thomke et al. 403/385

* cited by examiner

Primary Examiner — T. Chase Nelson

Assistant Examiner — Mark Cavanna

(74) *Attorney, Agent, or Firm* — Pandiscio & Pandiscio

(57) **CLAIM**

The ornamental design for a surgical table post clamp, as shown and described.

DESCRIPTION

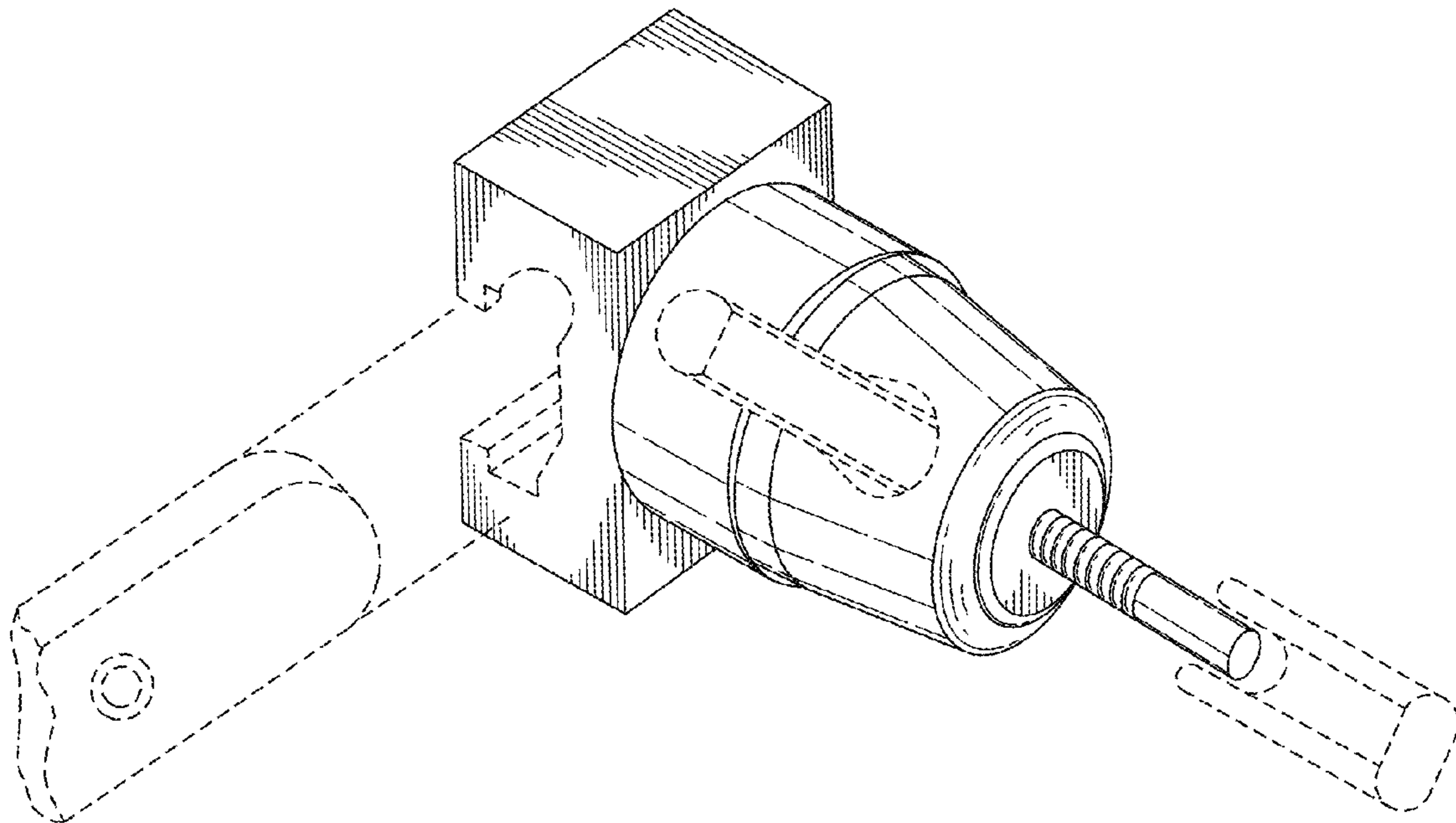
FIG. 1 is a perspective view of the surgical table post clamp; FIG. 2 is a rear view of the surgical table post clamp taken from the frame of reference of FIG. 1; FIG. 3 is a front view of the surgical table post clamp taken from the frame of reference of FIG. 1; FIG. 4 is a bottom view of the surgical table post clamp taken from the frame of reference of FIG. 1; FIG. 5 is a top view of the surgical table post clamp taken from the frame of reference of FIG. 1; FIG. 6 is a left side view of the surgical table post clamp taken from the frame of reference of FIG. 1; and, FIG. 7 is a right side view of the surgical table post clamp taken from the frame of reference of FIG. 1. The broken lines are included for the purpose of illustrating unclaimed portions of the surgical table post clamp and form no part of the claimed design.

1 Claim, 7 Drawing Sheets

(56) **References Cited**

U.S. PATENT DOCUMENTS

- 3,046,072 A * 7/1962 Douglass, Jr. et al. 600/102
- D262,237 S * 12/1981 Stauber D24/128
- 4,547,092 A * 10/1985 Vetter et al. 403/59
- D370,061 S * 5/1996 Shirley D24/128
- 5,538,215 A * 7/1996 Hosey 248/286.1
- 5,888,197 A * 3/1999 Mulac et al. 600/234
- D419,673 S * 1/2000 Schattner D24/128
- 6,315,260 B1 * 11/2001 Lees 248/286.1
- D455,831 S * 4/2002 Koros et al. D24/135
- 6,622,980 B2 * 9/2003 Boucher et al. 248/231.51
- D551,763 S * 9/2007 Phillips et al. D24/135
- D584,816 S * 1/2009 Koros et al. D24/135



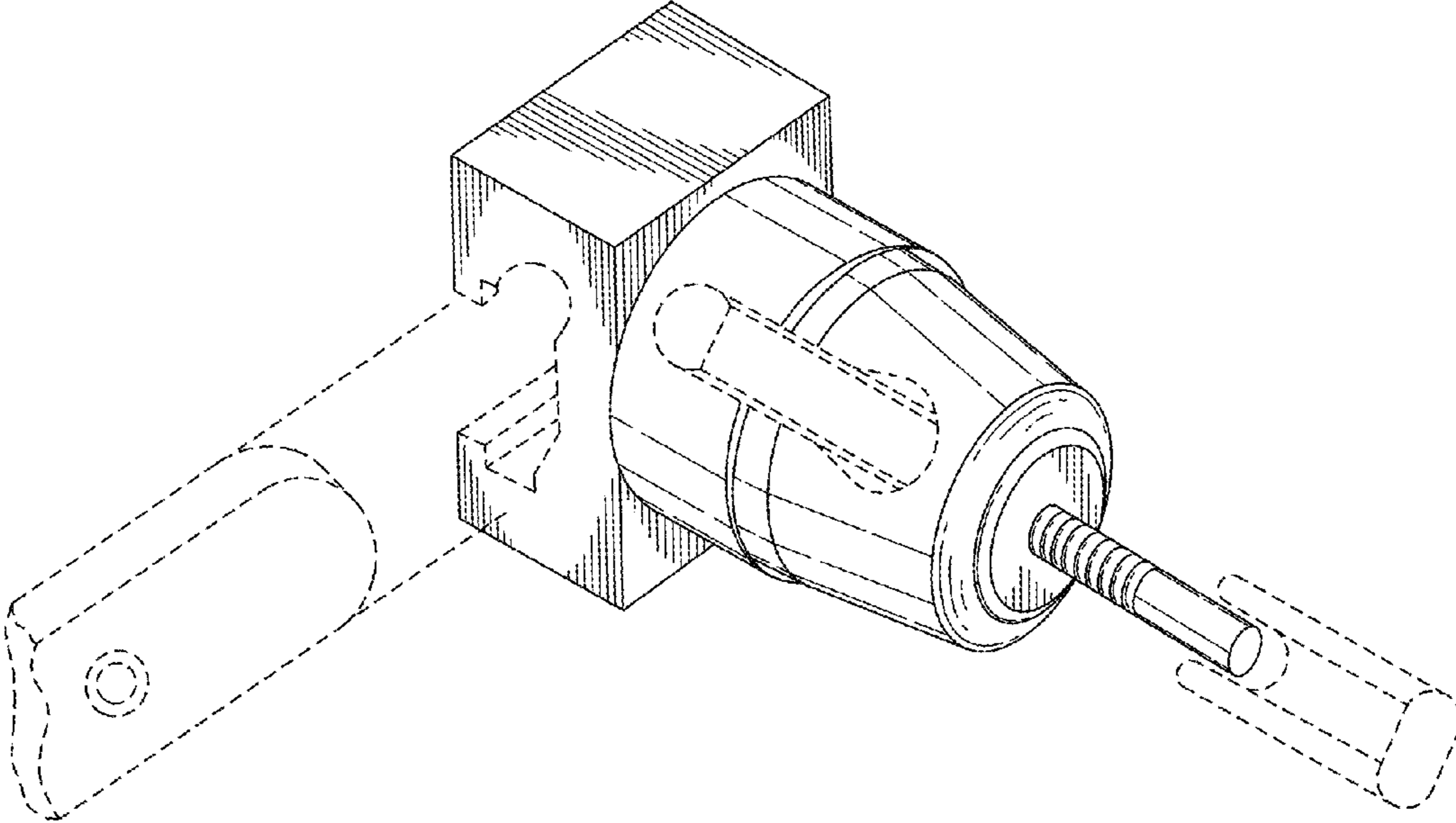


FIG. 1

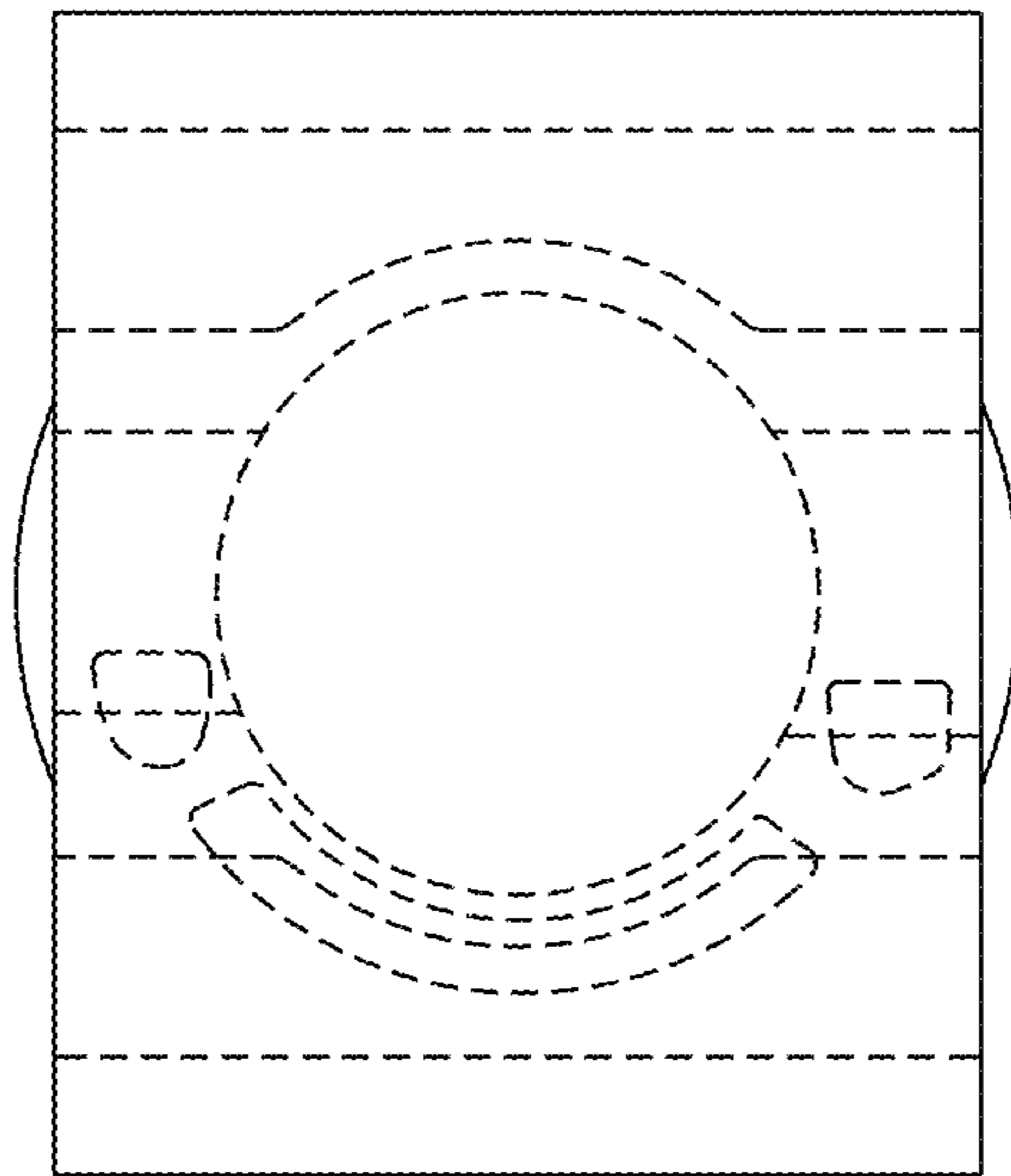


FIG. 2

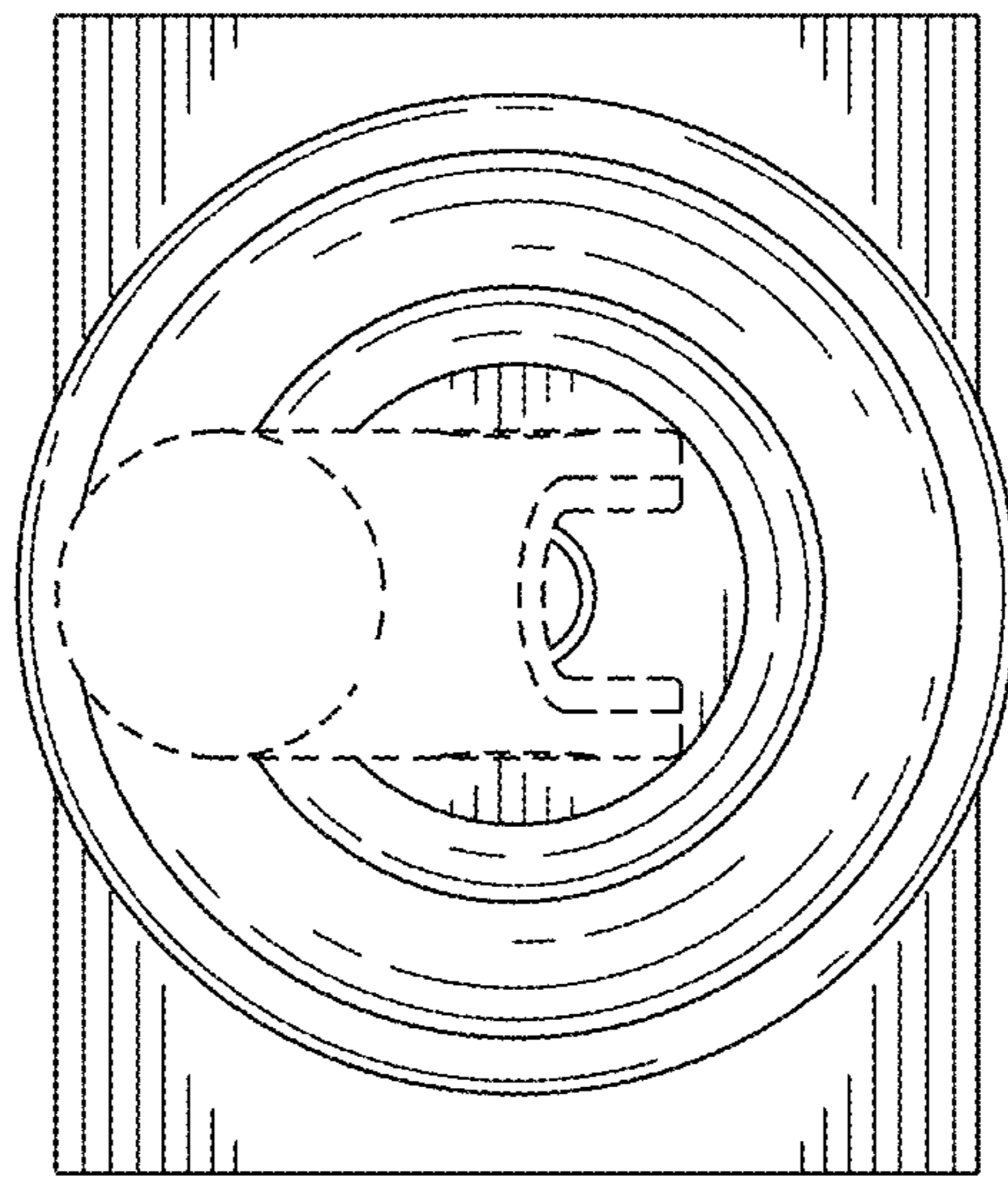


FIG. 3

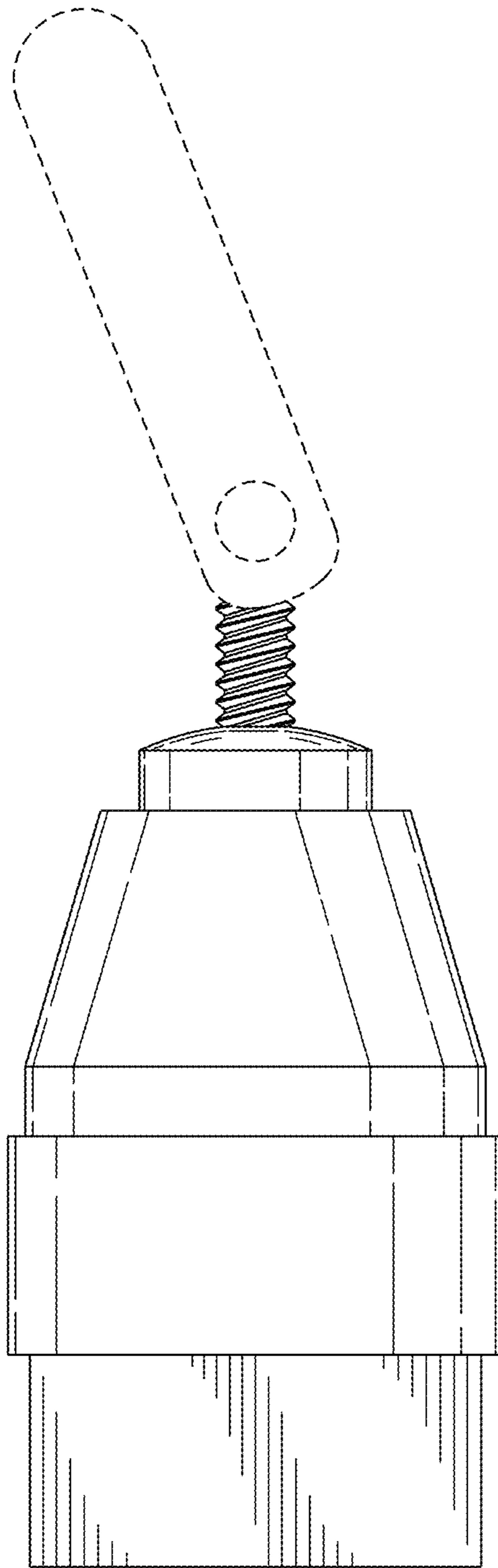


FIG. 4

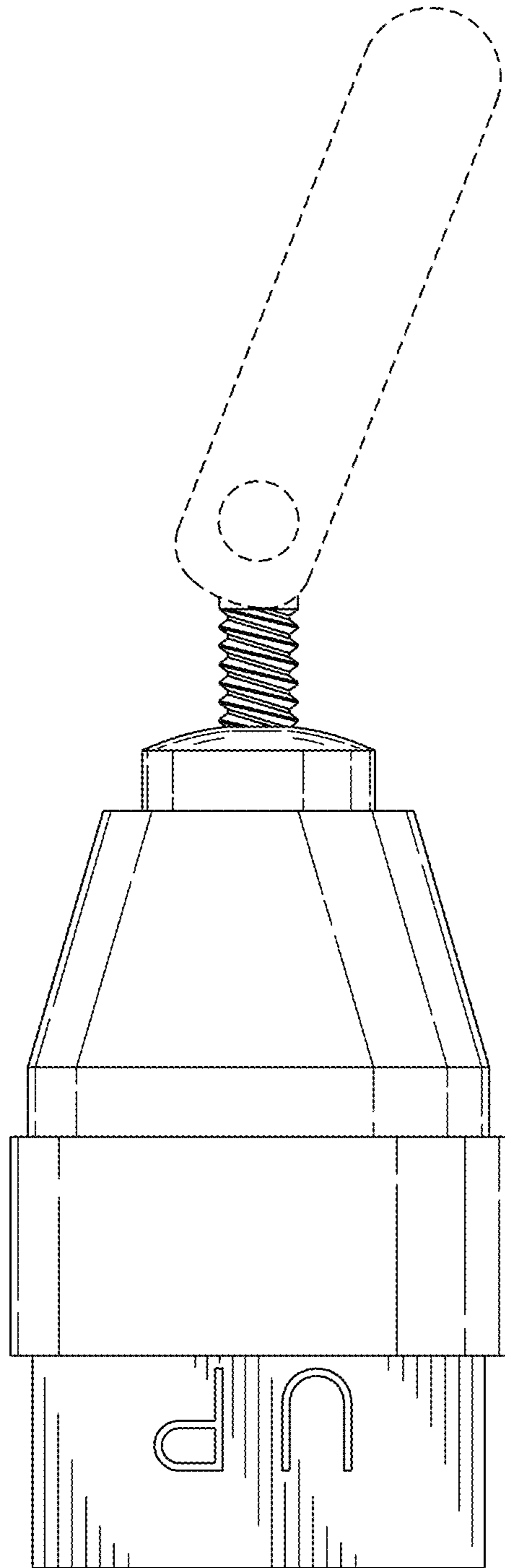


FIG. 5

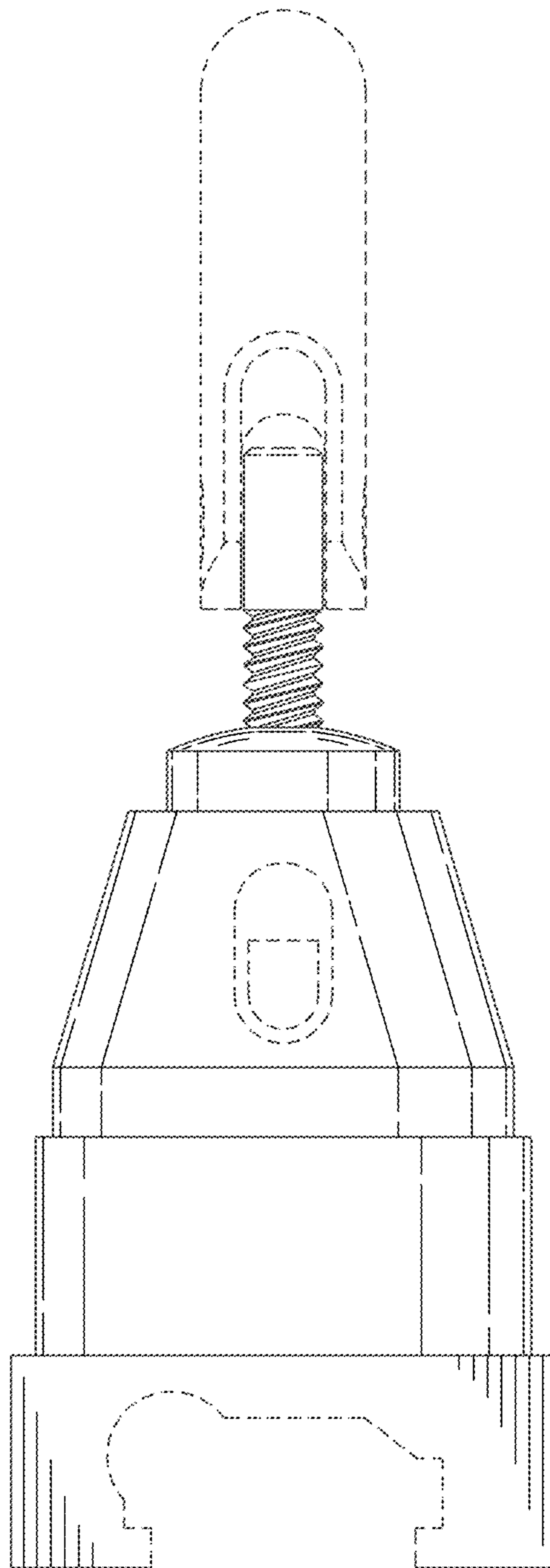


FIG. 6

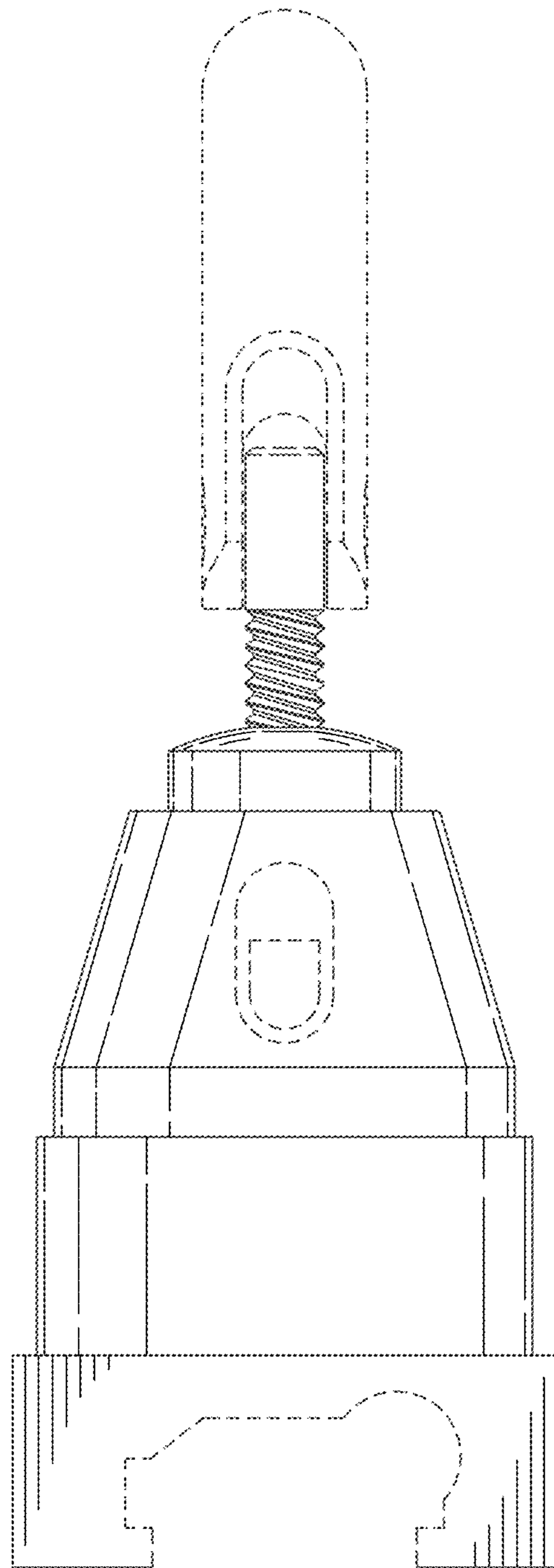


FIG. 7