



US00D712039S

(12) **United States Design Patent**  
**Lee et al.**

(10) **Patent No.:** **US D712,039 S**  
(45) **Date of Patent:** **\*\* Aug. 26, 2014**

(54) **ORTHODONTIC FIXING APPARATUS**

(71) Applicant: **Cheol-gyu Lee**, Seoul (KR)

(72) Inventors: **Cheol-gyu Lee**, Seoul (KR); **Kang-gyu Lee**, Seongnam-si (KR)

(73) Assignee: **Cheol-Gyu Lee**, Seoul (KR)

(\*\*) Term: **14 Years**

(21) Appl. No.: **29/458,066**

(22) Filed: **Jun. 14, 2013**

(30) **Foreign Application Priority Data**

Dec. 18, 2012 (KR) ..... 30-2012-0061000

(51) **LOC (10) Cl.** ..... **24-01**

(52) **U.S. Cl.**  
USPC ..... **D24/180**

(58) **Field of Classification Search**  
USPC ..... D24/176-182; 433/2-3, 7-11, 14,  
433/16-18, 22, 24  
See application file for complete search history.

(56) **References Cited**

**U.S. PATENT DOCUMENTS**

1,908,853 A \* 5/1933 Linde ..... 433/7  
3,977,082 A \* 8/1976 Siatkowski ..... 433/7  
D246,322 S \* 11/1977 Krygier ..... D24/180  
4,144,643 A \* 3/1979 Krygier ..... 433/7

5,853,291 A \* 12/1998 DeVincenzo et al. .... 433/18  
6,267,589 B1 \* 7/2001 Farzin-Nia et al. .... 433/7  
6,827,574 B2 \* 12/2004 Payton ..... 433/8  
7,044,733 B2 \* 5/2006 Schendell-Groling ..... 433/3  
2007/0259306 A1 \* 11/2007 Raines et al. .... 433/18  
2013/0122446 A1 \* 5/2013 Lee ..... 433/8  
2013/0189640 A1 \* 7/2013 Kook et al. .... 433/18

\* cited by examiner

*Primary Examiner* — Wan Laymon

(74) *Attorney, Agent, or Firm* — Novick, Kim & Lee, PLLC;  
Jae Youn Kim

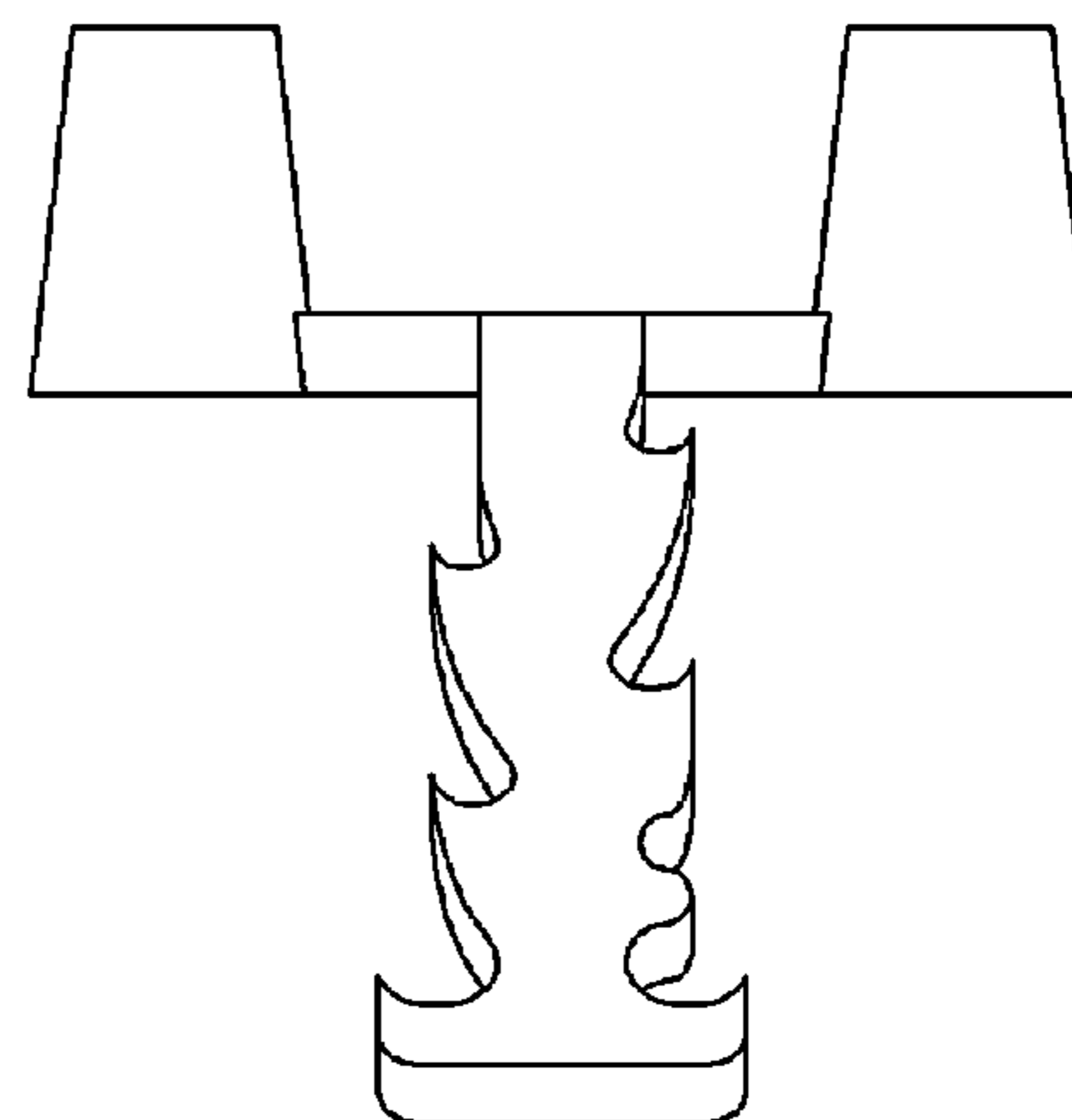
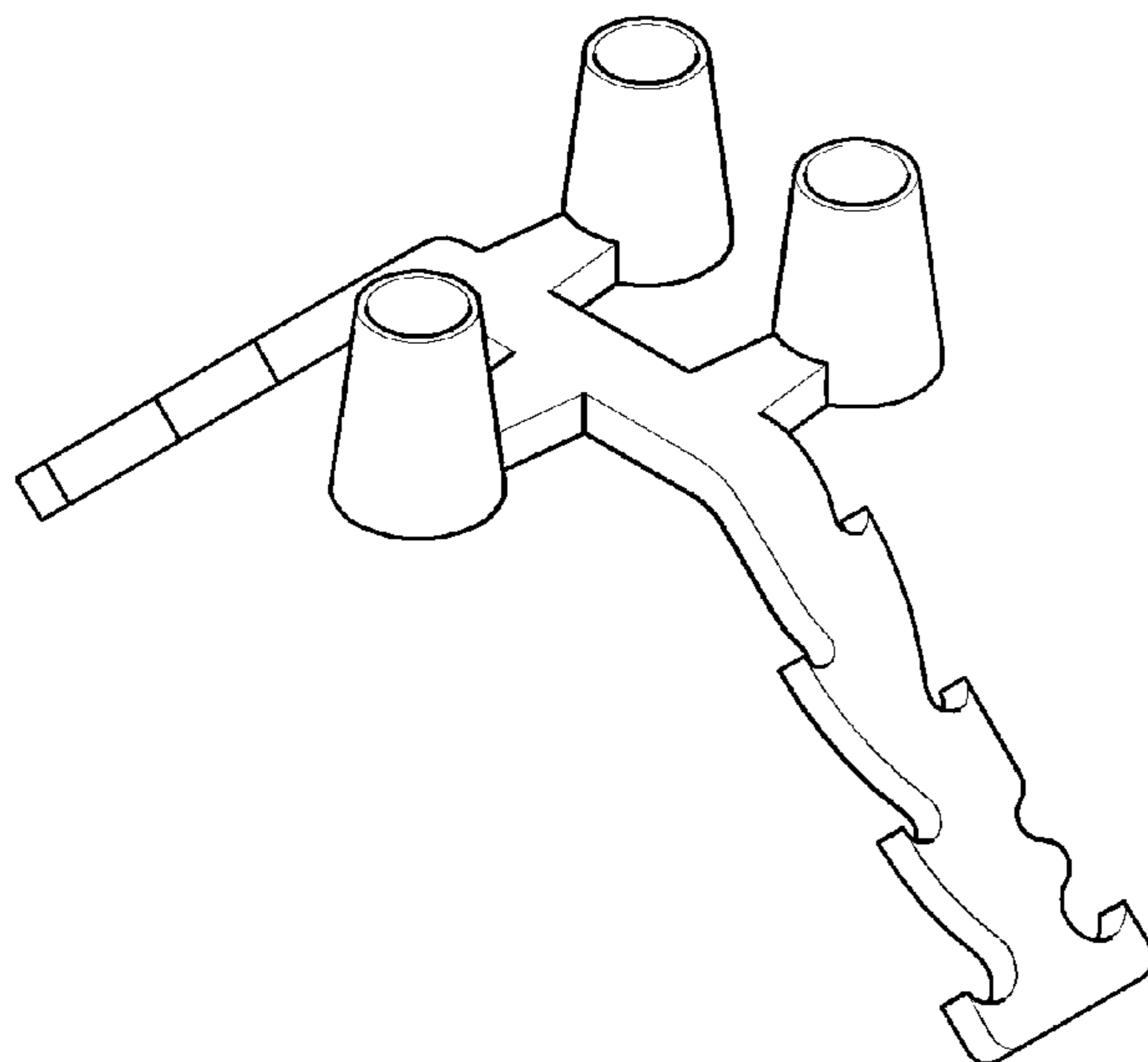
(57) **CLAIM**

We claim, the ornamental design for an orthodontic fixing apparatus, as shown and described.

**DESCRIPTION**

FIG. 1 is a perspective view of an orthodontic fixing apparatus, showing our new design;  
FIG. 2 is a front view of the orthodontic fixing apparatus of FIG. 1;  
FIG. 3 is a rear view of the orthodontic fixing apparatus of FIG. 1;  
FIG. 4 is a left side view of the orthodontic fixing apparatus of FIG. 1;  
FIG. 5 is a right side view of the orthodontic fixing apparatus of FIG. 1;  
FIG. 6 is a top view of the orthodontic fixing apparatus of FIG. 1; and,  
FIG. 7 is a bottom view of the orthodontic fixing apparatus of FIG. 1.

**1 Claim, 4 Drawing Sheets**



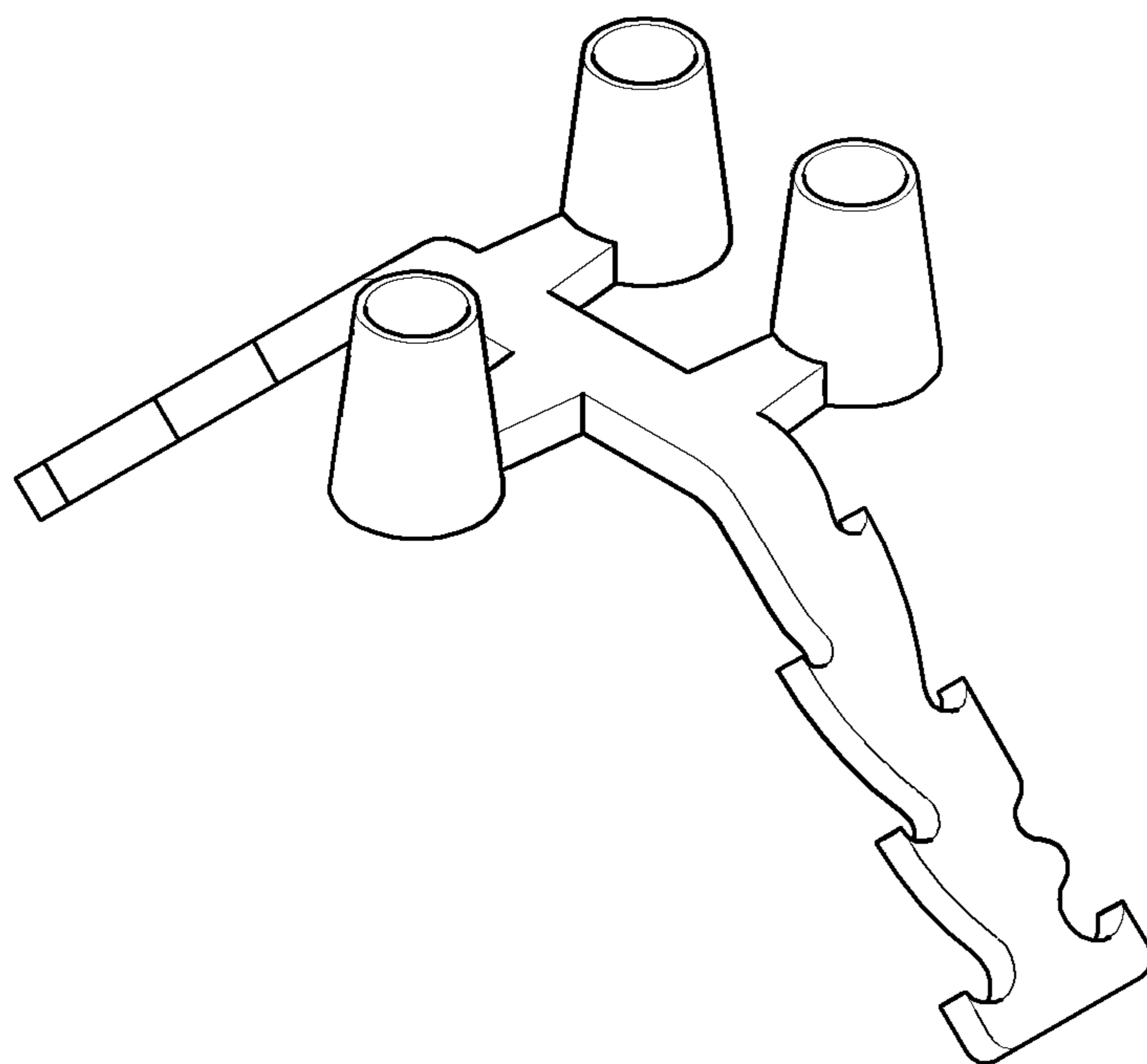


FIG. 1

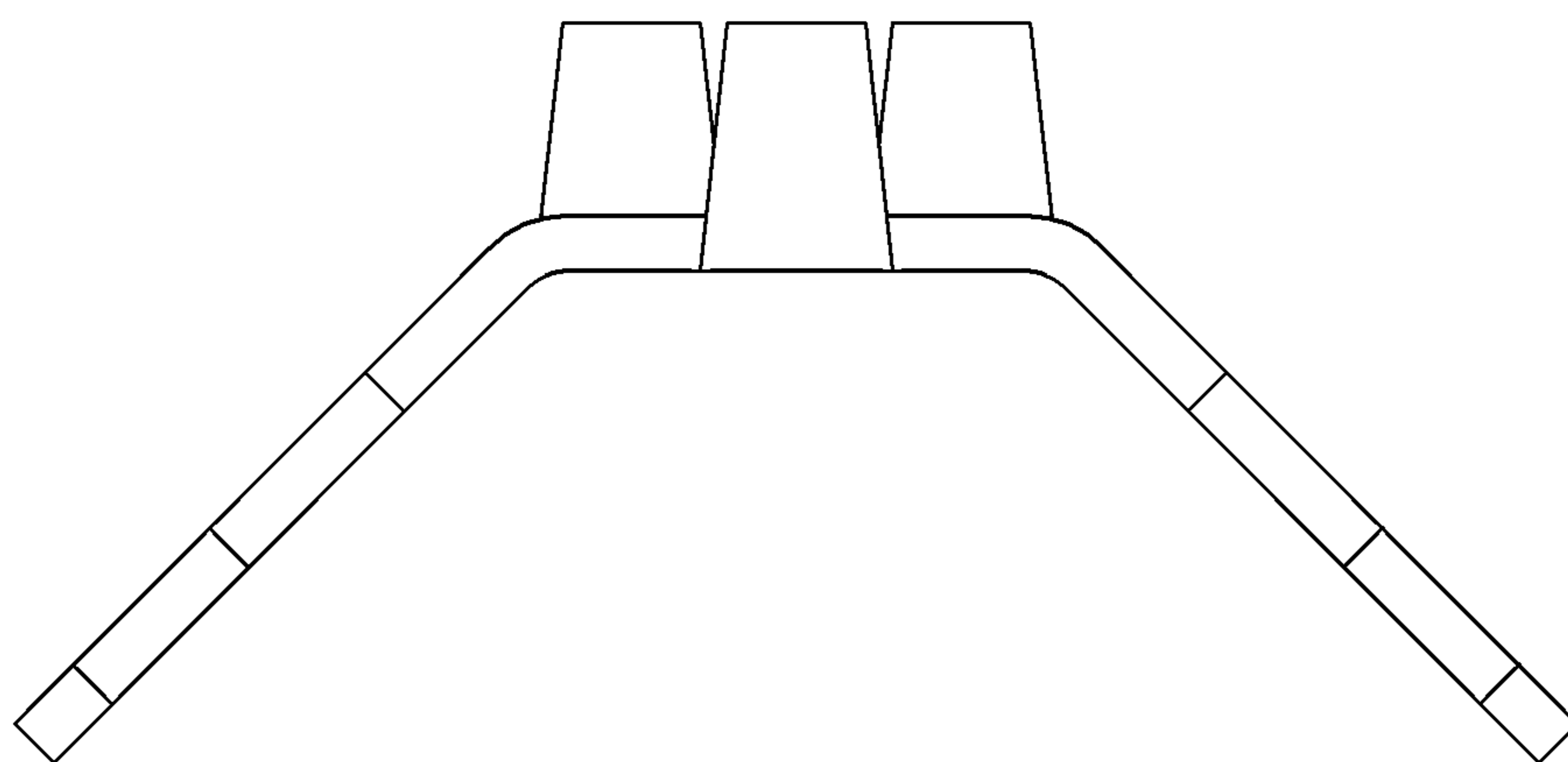


FIG. 2

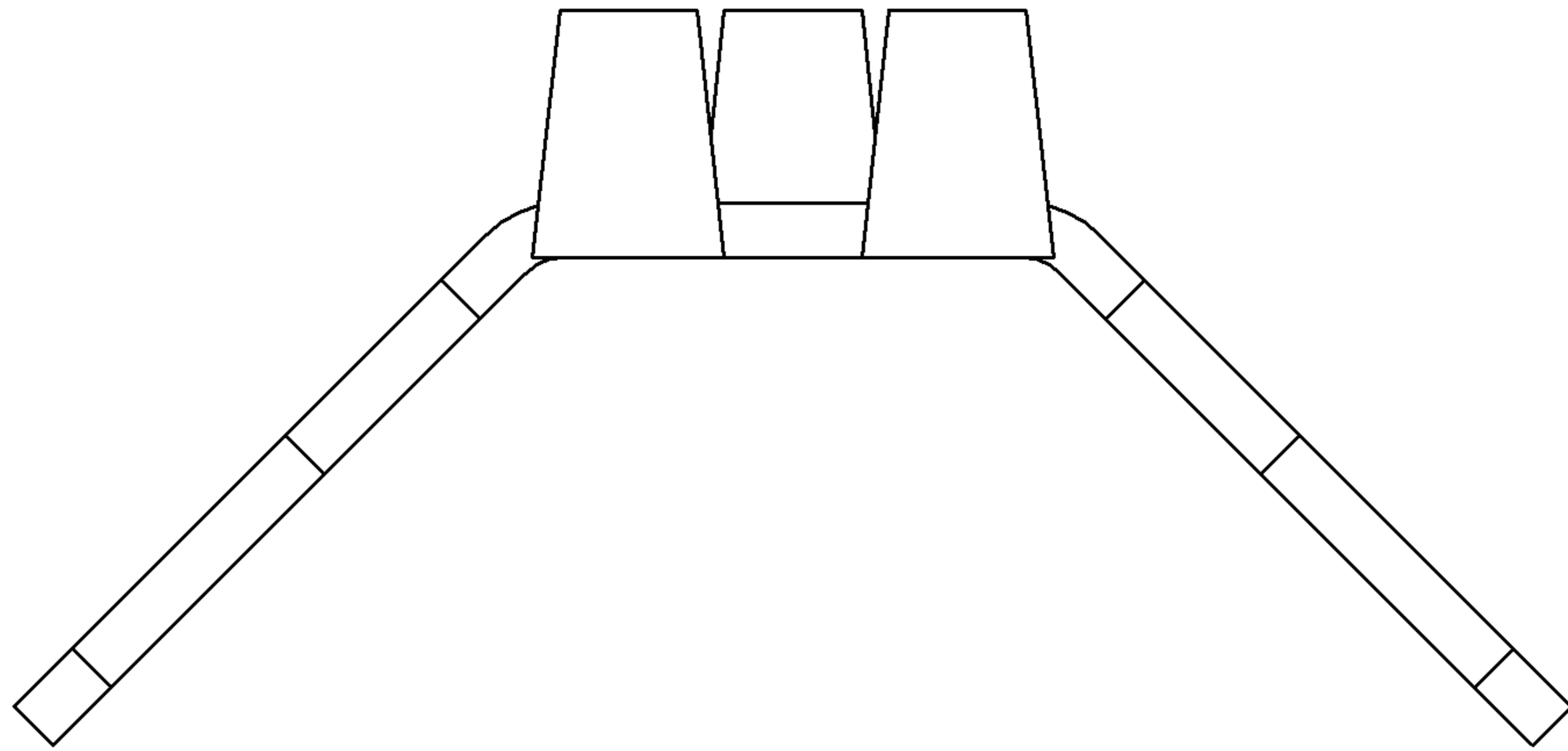


FIG. 3

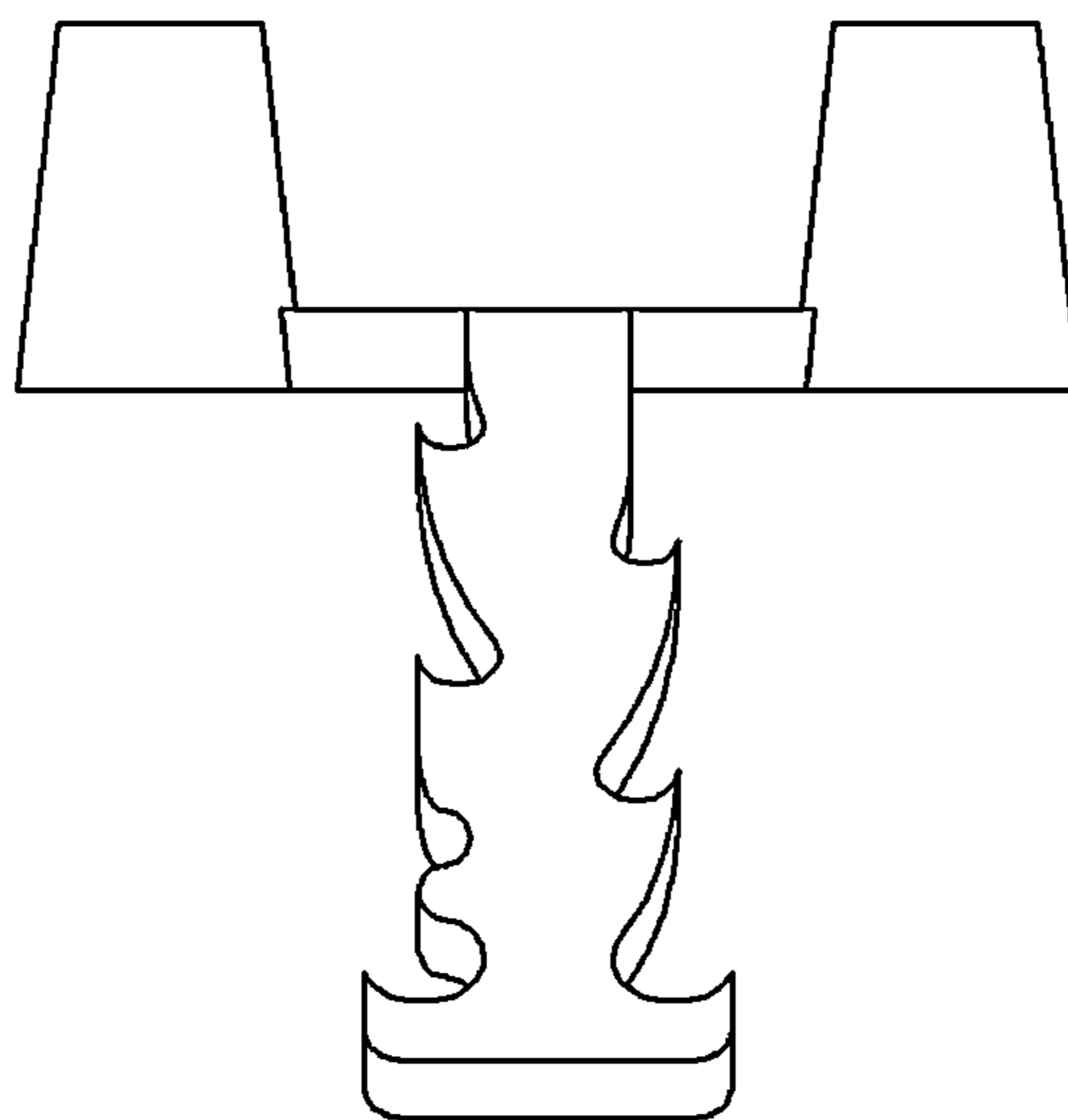


FIG. 4

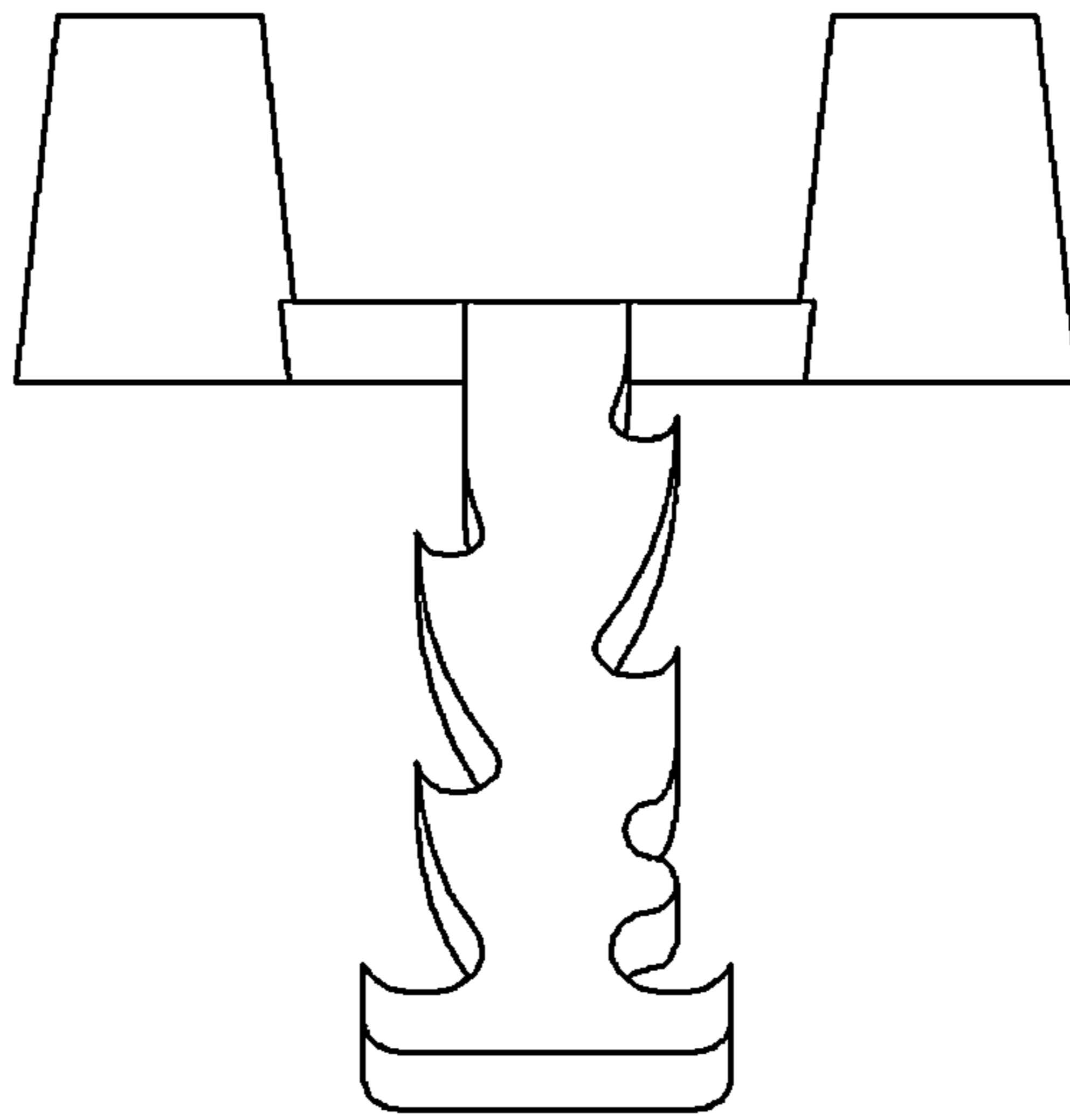


FIG. 5

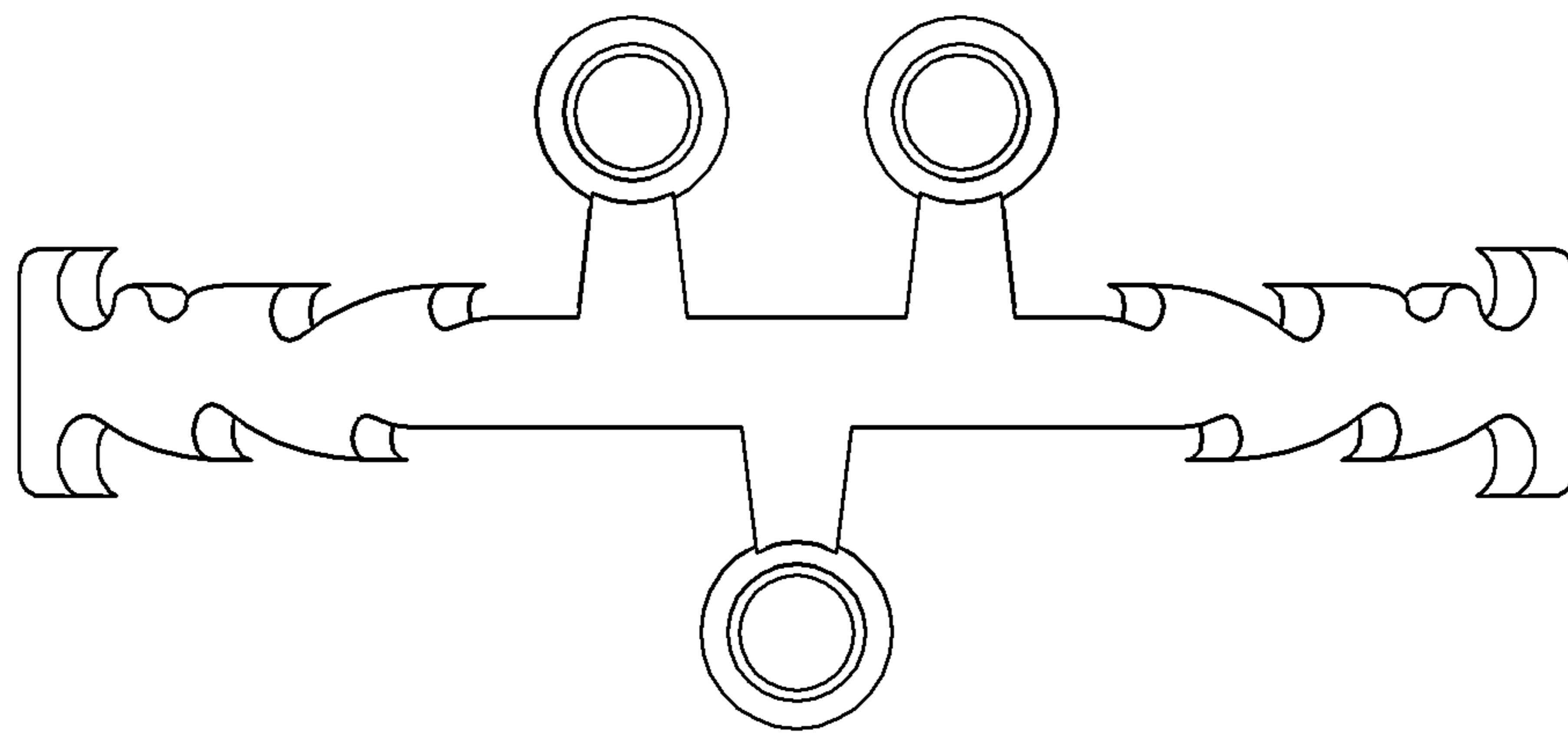


FIG. 6

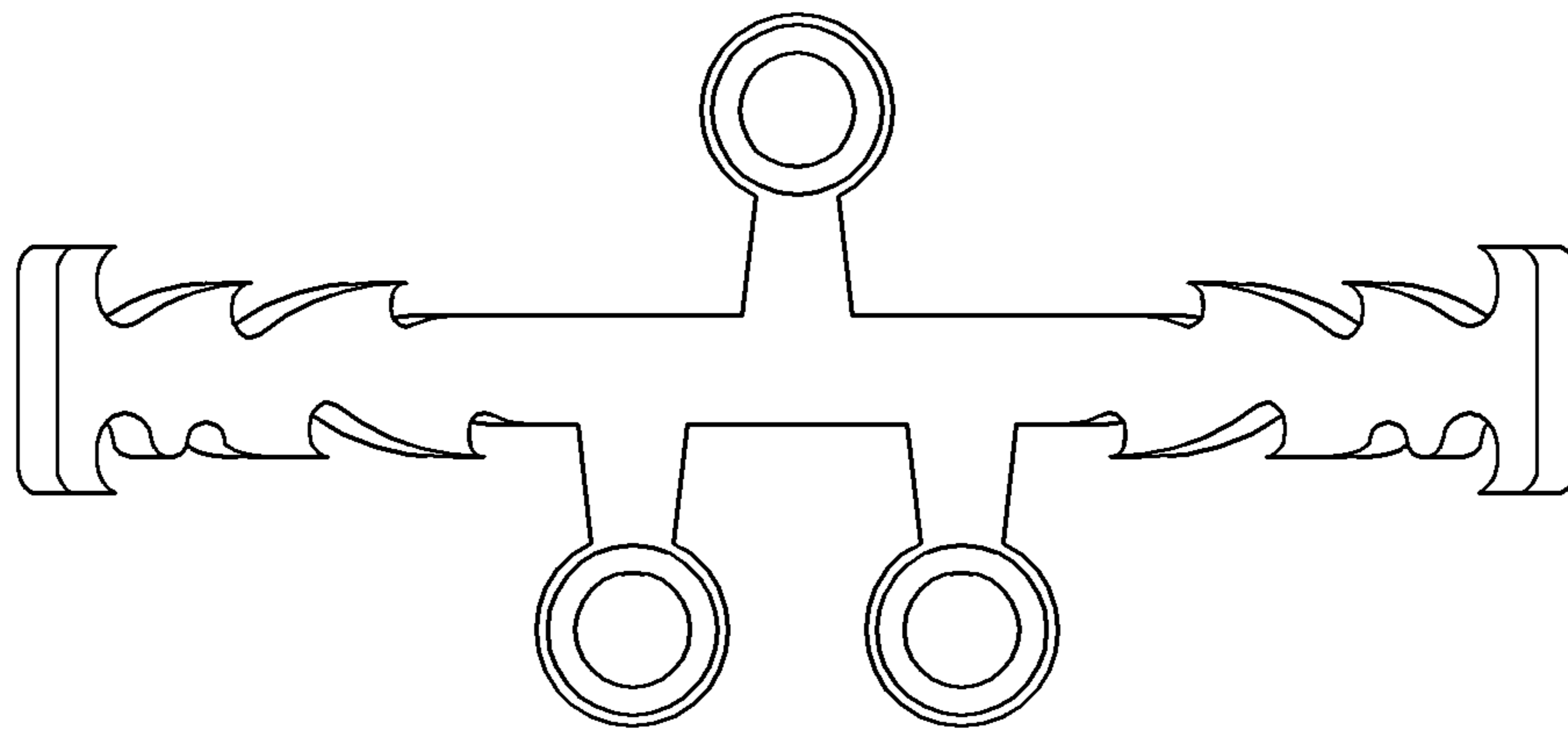


FIG. 7