



US00D712038S

(12) **United States Design Patent**  
**Hansen et al.**

(10) **Patent No.:** **US D712,038 S**

(45) **Date of Patent:** **\*\* Aug. 26, 2014**

(54) **ULTRASOUND DEVICE**

(71) Applicant: **FUJIFILM Sonosite, Inc.**, Bothell, WA  
(US)

(72) Inventors: **Joshua M. Hansen**, Everett, WA (US);  
**Bradley J. Sliger**, Seattle, WA (US);  
**Stephen Christopher**, Chicago, IL (US);  
**Scott Wilson**, Chicago, IL (US)

(73) Assignee: **FUJIFILM Sonosite, Inc.**, Bothell, WA  
(US)

(\*\*) Term: **14 Years**

(21) Appl. No.: **29/469,271**

(22) Filed: **Oct. 8, 2013**

(51) **LOC (10) Cl.** ..... **24-01**

(52) **U.S. Cl.**  
USPC ..... **D24/158; D24/160**

(58) **Field of Classification Search**  
USPC ..... **D24/158-161, 185, 186; 606/32-34;**  
**600/437, 443; 248/282.1**  
See application file for complete search history.

(56) **References Cited**

**U.S. PATENT DOCUMENTS**

D559,390 S \* 1/2008 Diener et al. .... D24/186  
D643,535 S \* 8/2011 Ross et al. .... D24/164

D648,855 S \* 11/2011 Smith et al. .... D24/158  
D657,470 S \* 4/2012 Schon et al. .... D24/186  
D695,898 S \* 12/2013 Chung et al. .... D24/158  
D699,852 S \* 2/2014 Chung et al. .... D24/158  
2010/0004535 A1\* 1/2010 Song et al. .... 600/437  
2012/0289828 A1\* 11/2012 Jensen et al. .... 600/437

\* cited by examiner

*Primary Examiner* — Anhdao Doan

(74) *Attorney, Agent, or Firm* — Perkins Coie LLP

(57) **CLAIM**

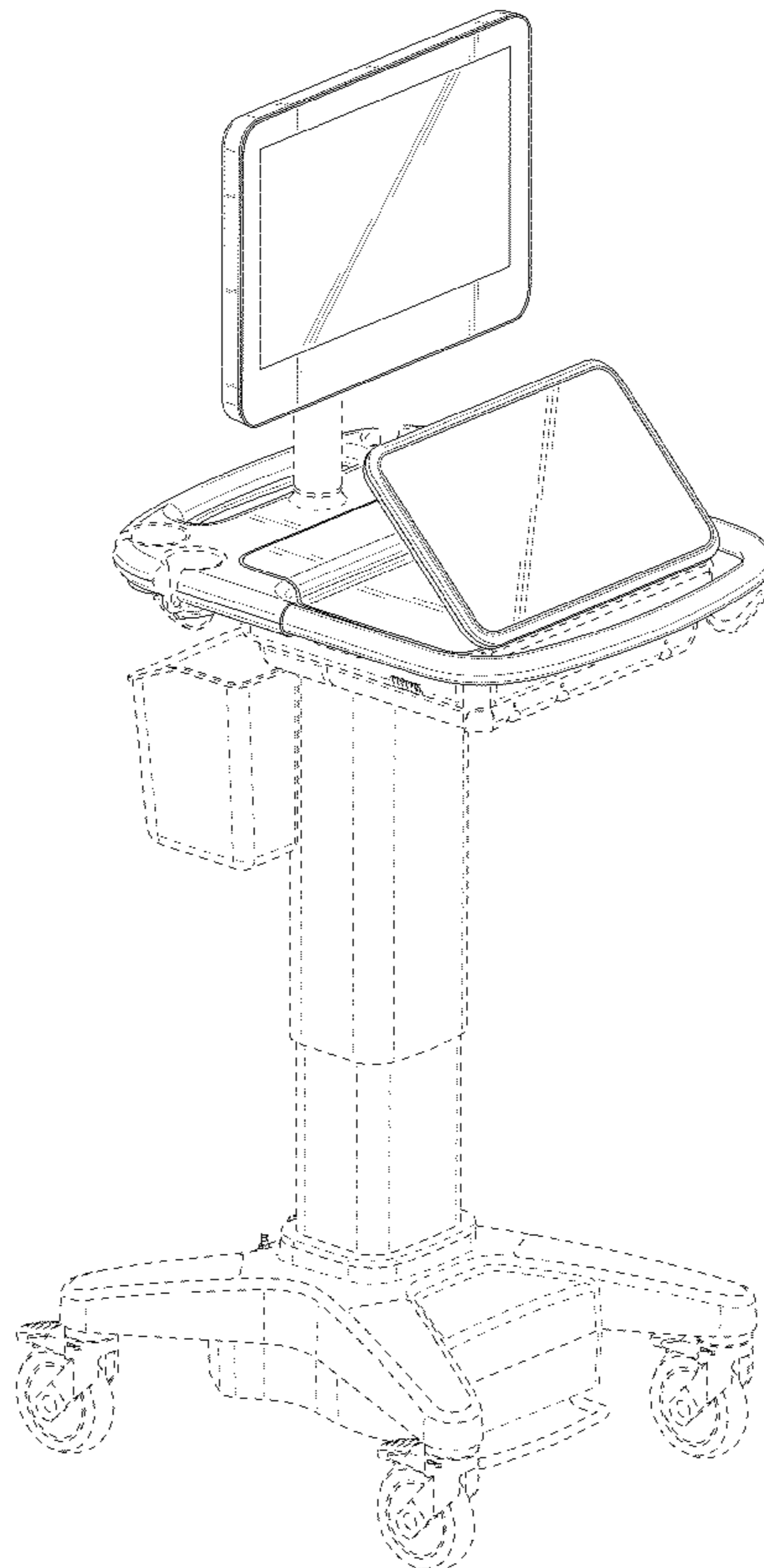
The ornamental design for an ultrasound device, as shown and described.

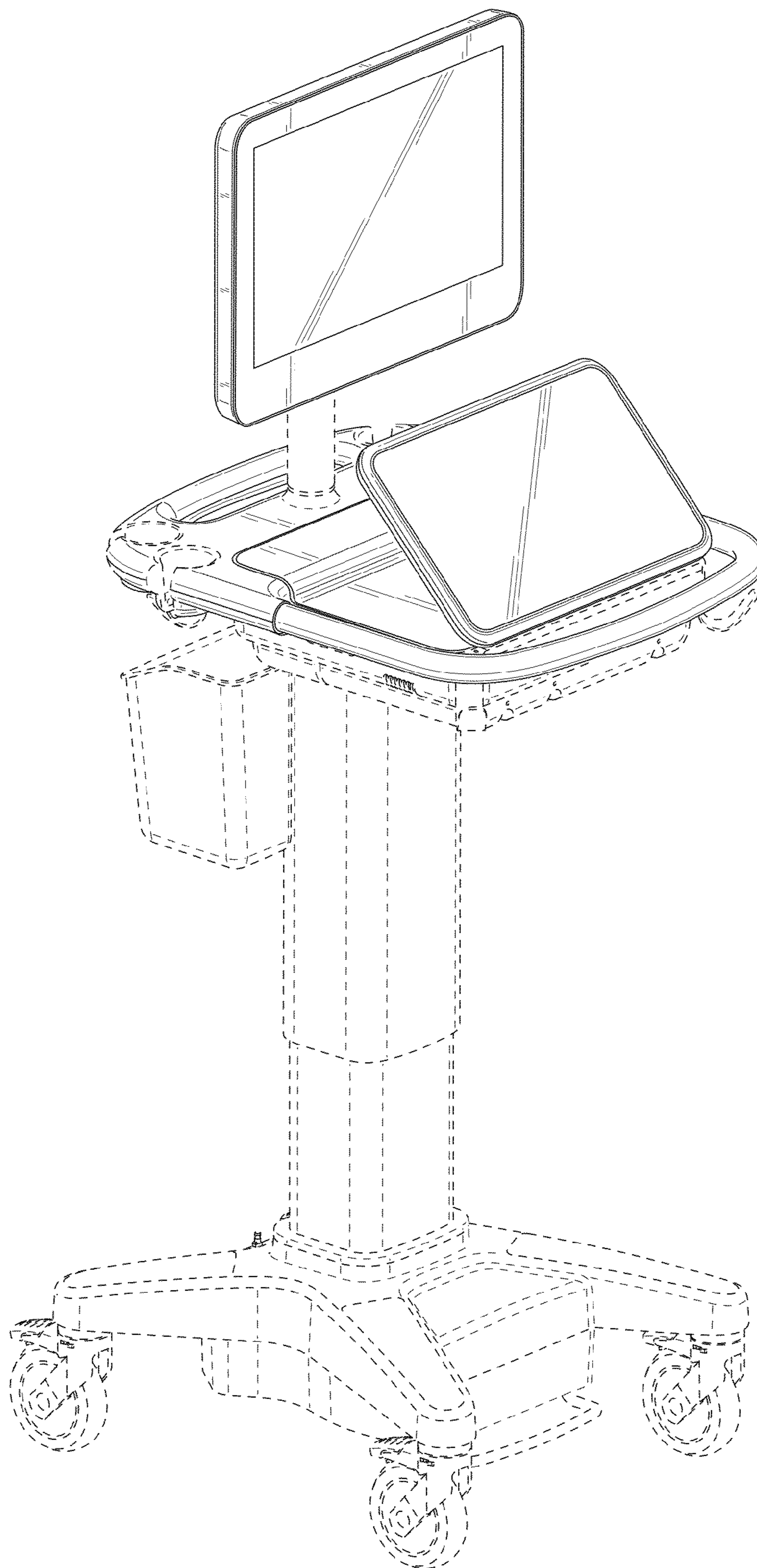
**DESCRIPTION**

FIG. 1 is a first perspective view of an ultrasound device;  
FIG. 2 is a second perspective view thereof;  
FIG. 3 is a front view thereof;  
FIG. 4 is a rear view thereof;  
FIG. 5 is a right view thereof;  
FIG. 6 is a left view thereof;  
FIG. 7 is a third perspective view thereof;  
FIG. 8 is a fourth perspective view thereof; and,  
FIG. 9 is a top view thereof.

The broken lines in the drawing views are included for the purpose of illustrating portions of the ultrasound device that form no part of the claimed design.

**1 Claim, 9 Drawing Sheets**





*Fig. 1*

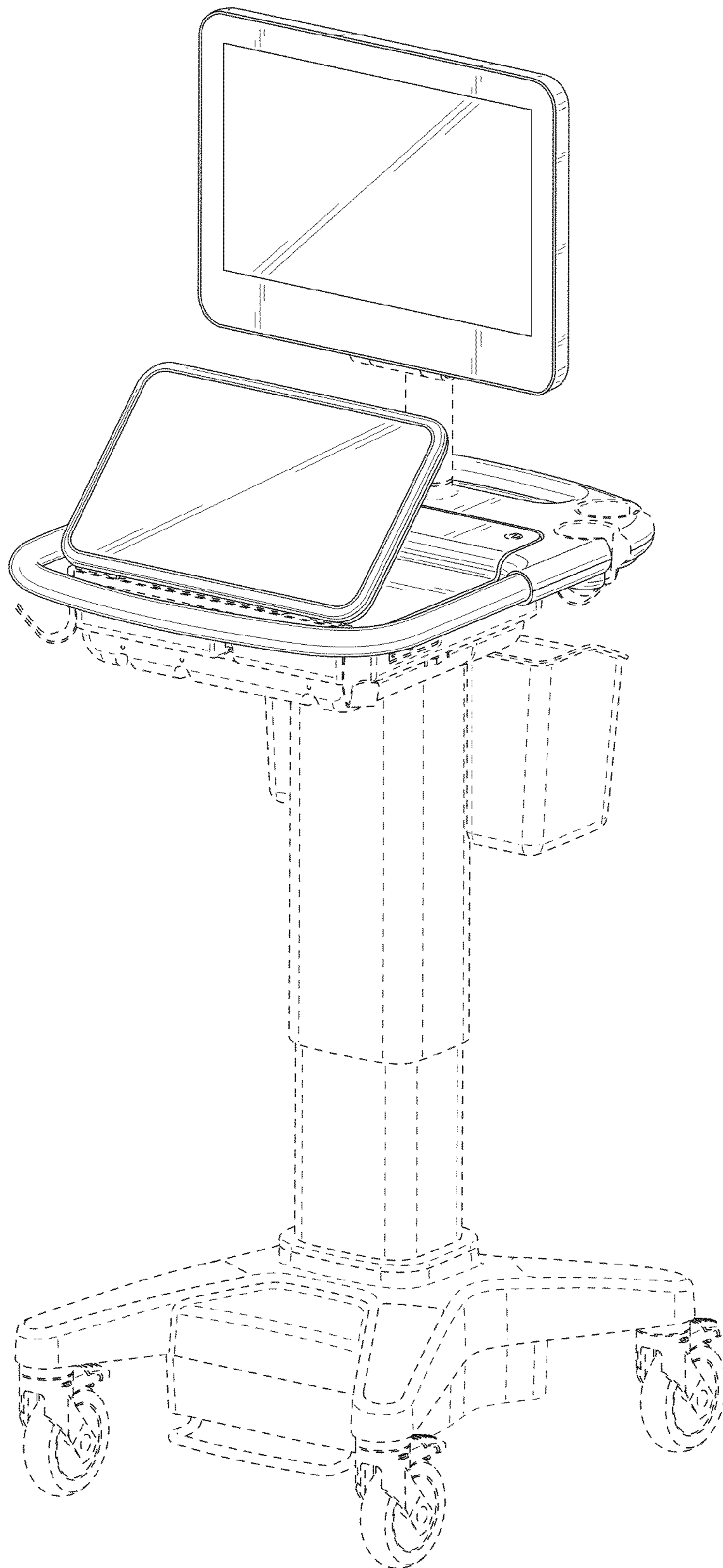
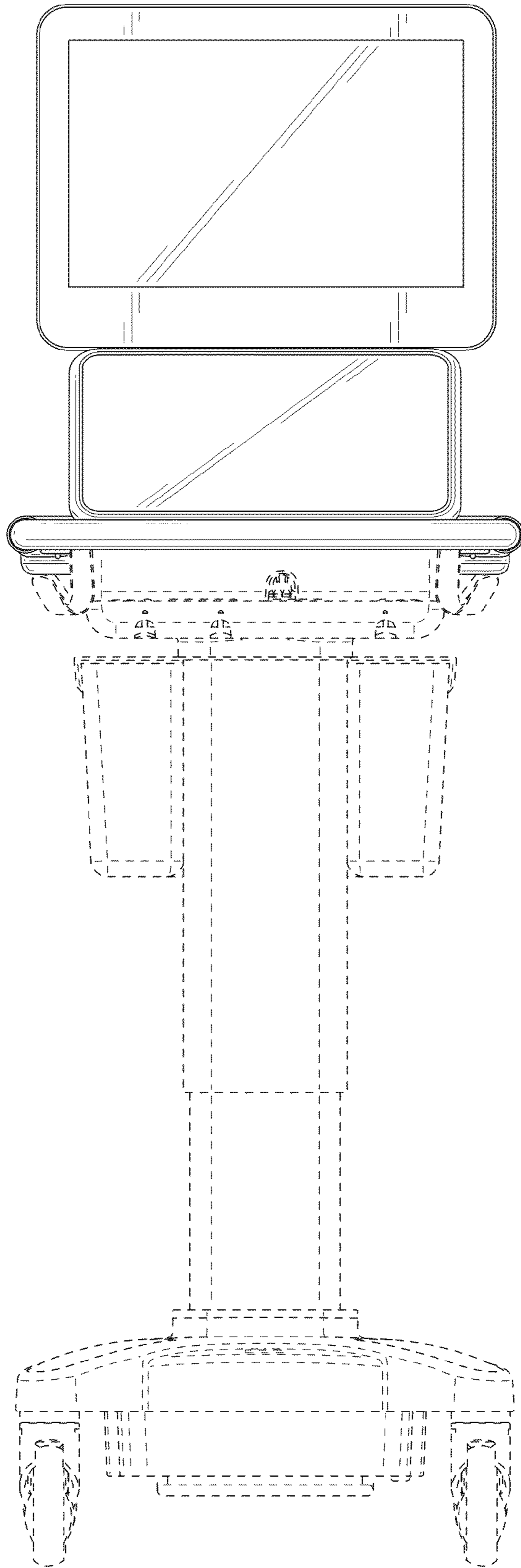


Fig. 2



*Fig. 3*

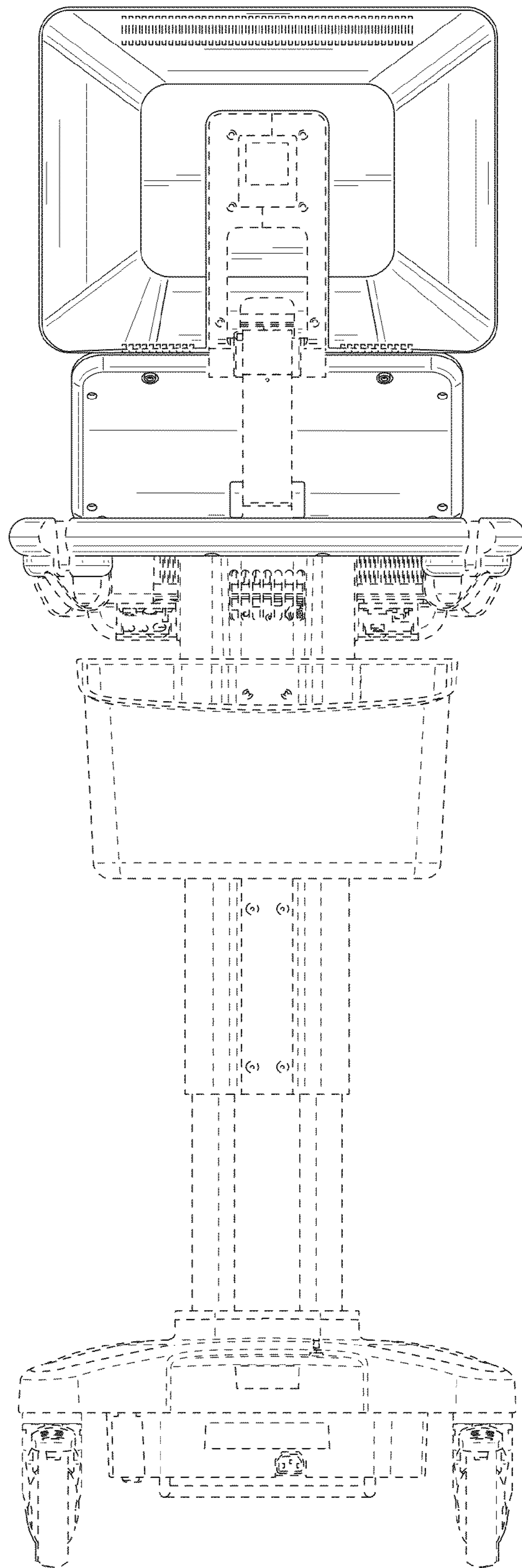
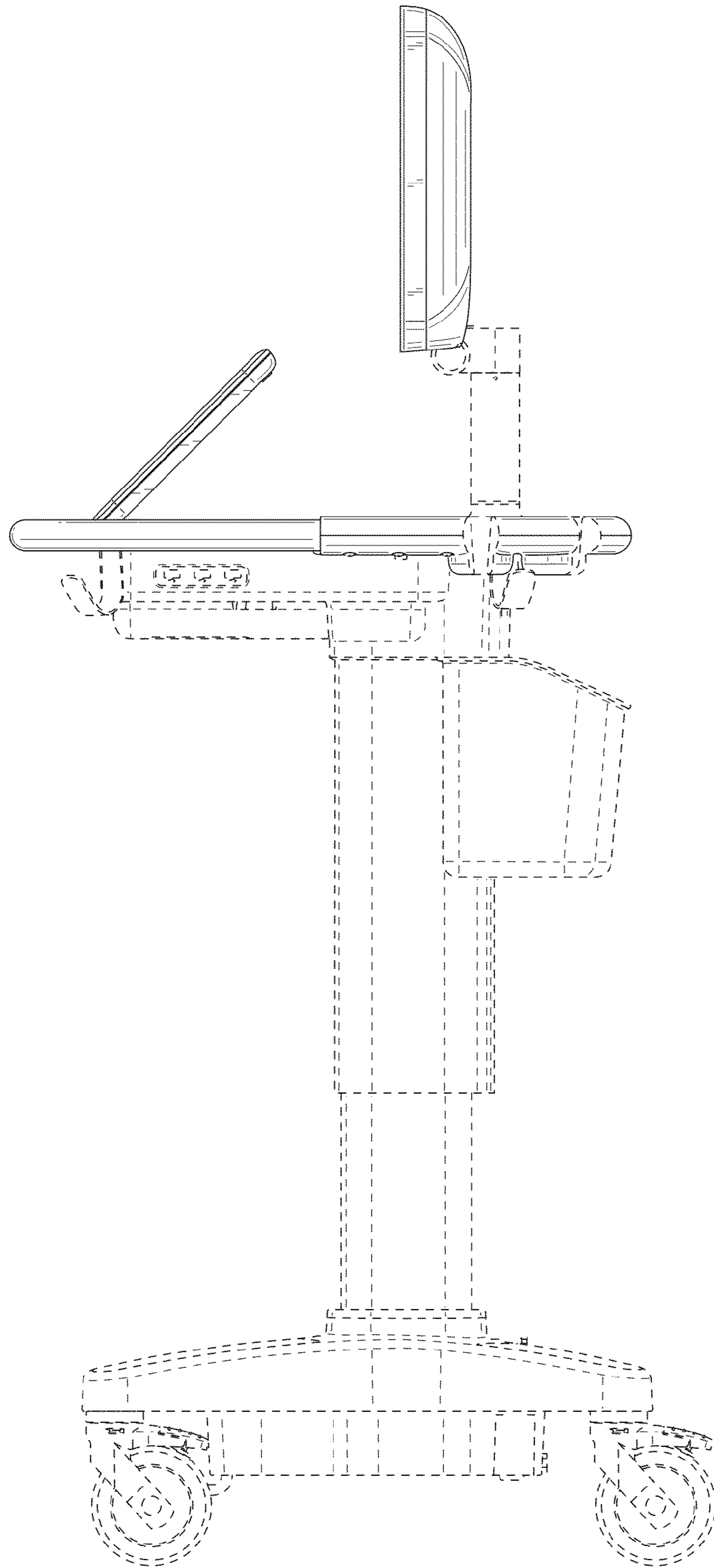


Fig. 4



*Fig. 5*

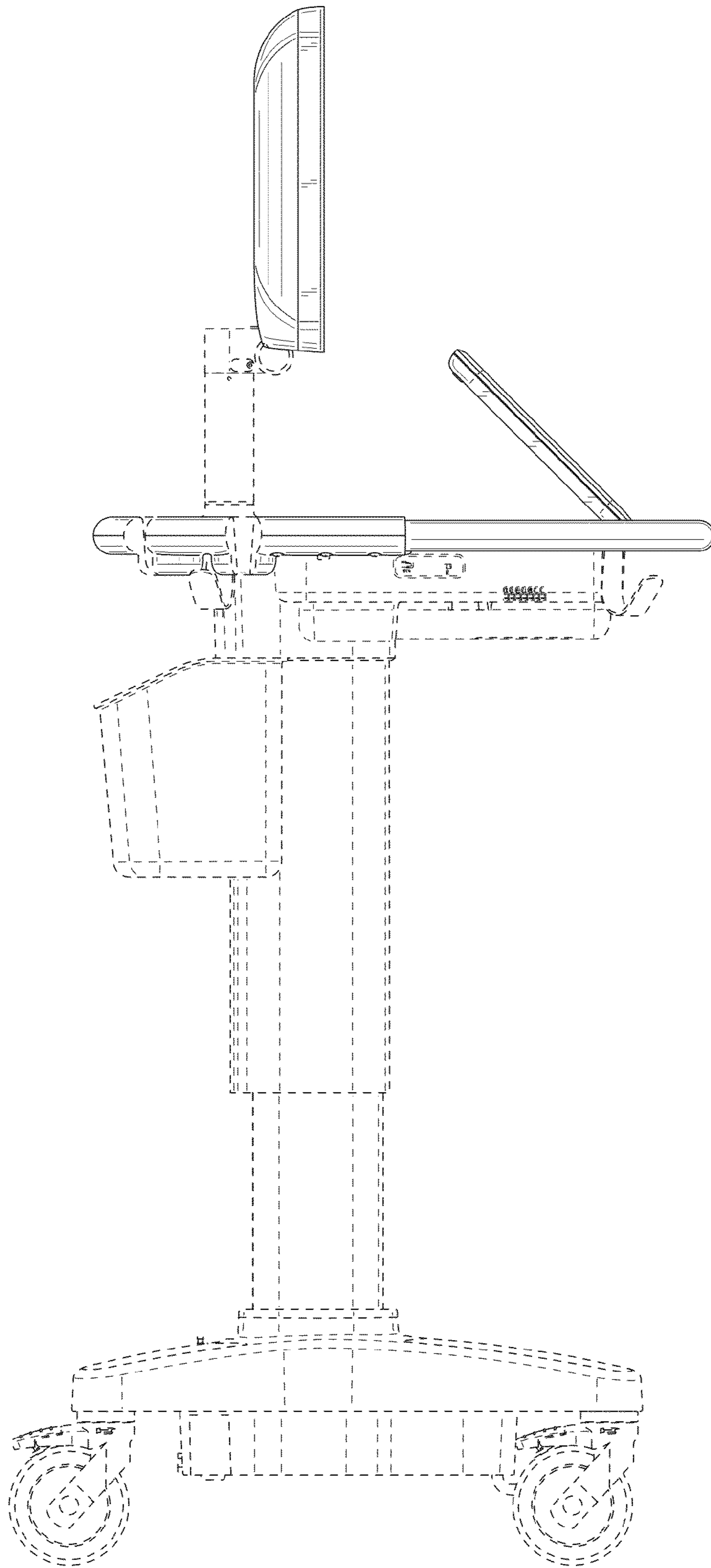


Fig. 6

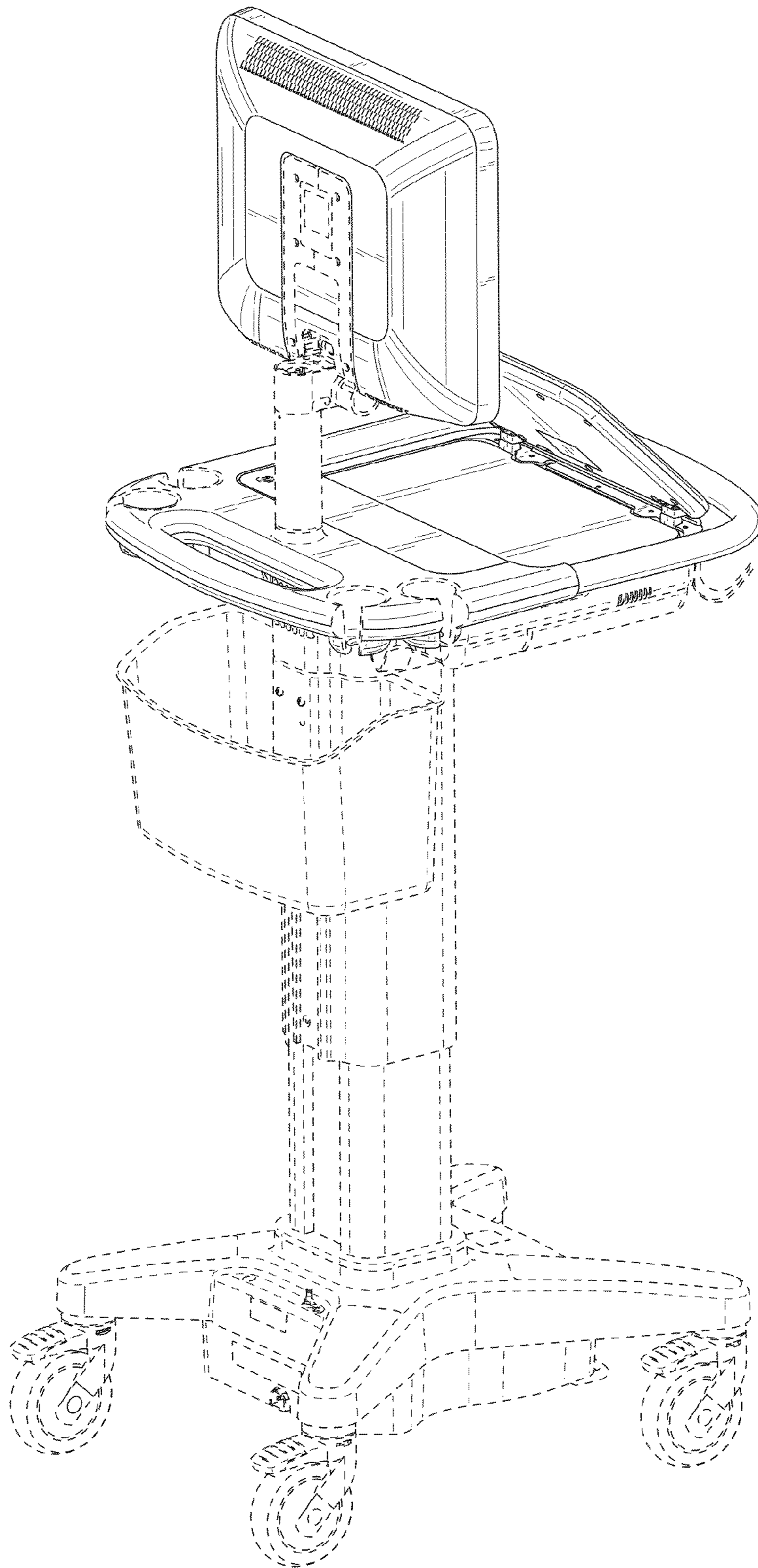
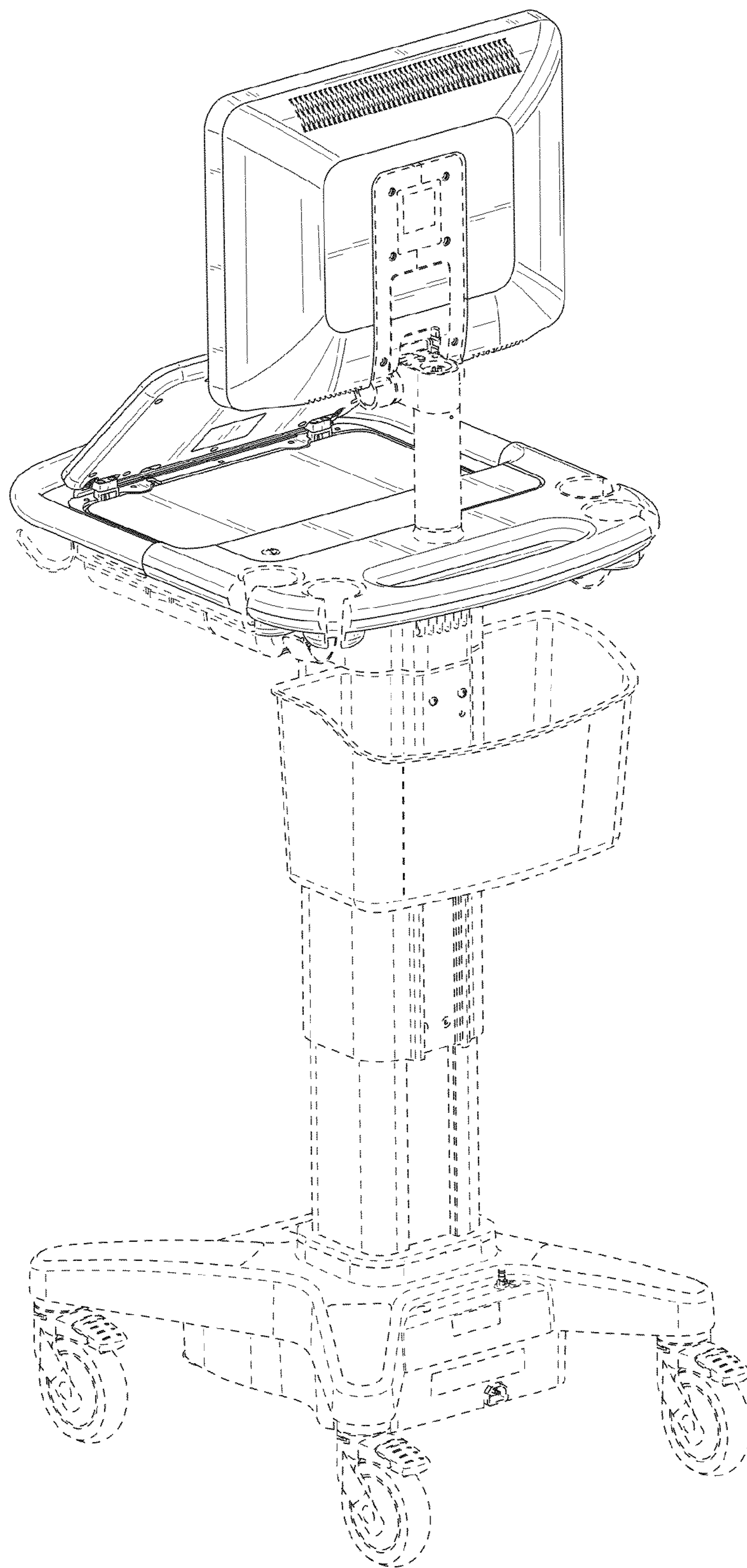
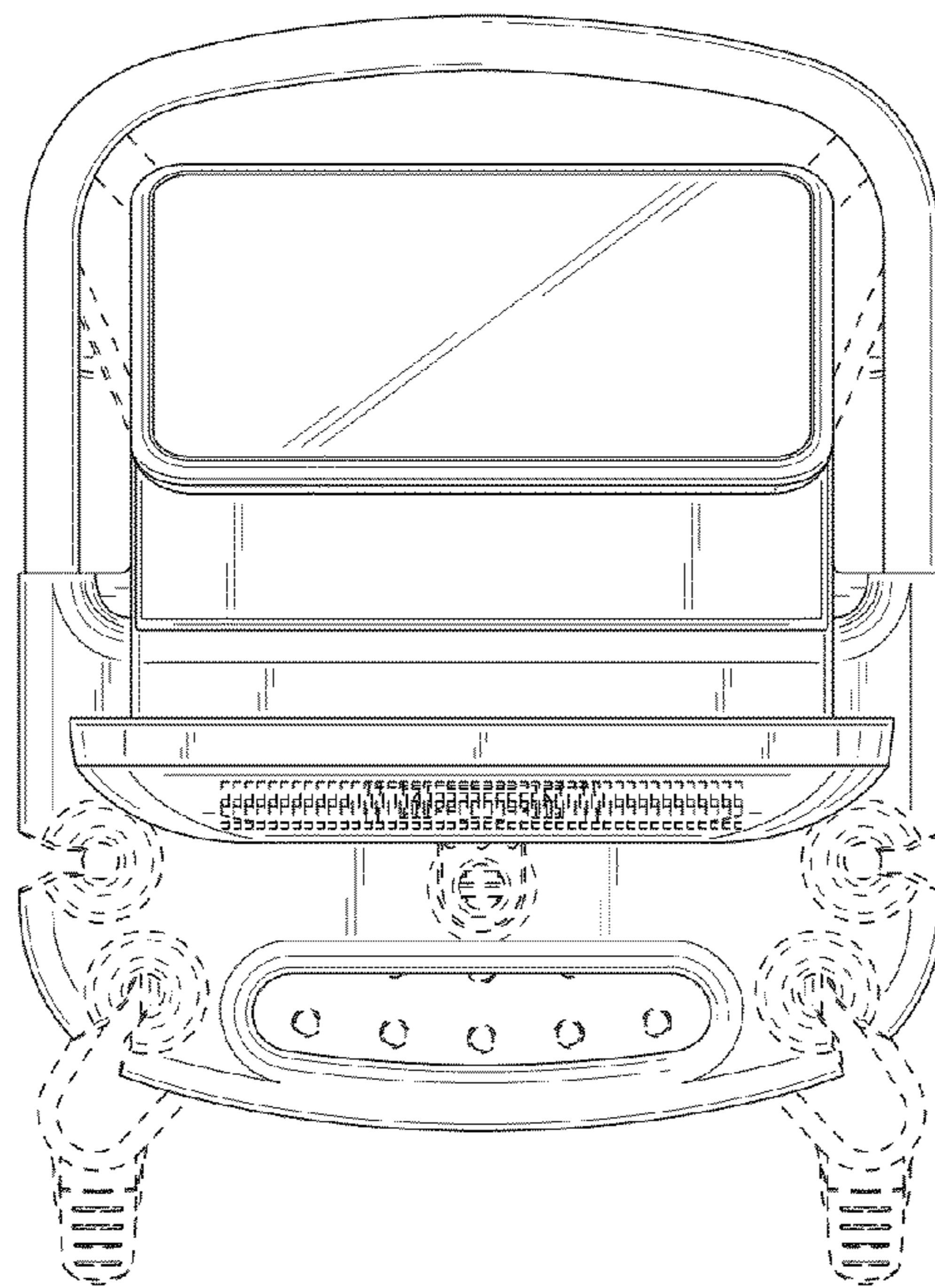


Fig. 7





*Fig. 8*



*Fig. 9*