



US00D712037S

(12) **United States Design Patent**
Hansen et al.

(10) **Patent No.:** **US D712,037 S**

(45) **Date of Patent:** **** Aug. 26, 2014**

(54) **ULTRASOUND DEVICE DISPLAY**

(71) Applicant: **FUJIFILM Sonosite, Inc.**, Bothell, WA (US)

(72) Inventors: **Joshua M. Hansen**, Everett, WA (US);
Bradley J. Sliger, Seattle, WA (US);
Stephen Christopher, Chicago, IL (US);
Scott Wilson, Chicago, IL (US)

(73) Assignee: **FUJIFILM Sonosite, Inc.**, Bothell, WA (US)

(**) Term: **14 Years**

(21) Appl. No.: **29/469,266**

(22) Filed: **Oct. 8, 2013**

(51) **LOC (10) Cl.** **24-01**

(52) **U.S. Cl.**
USPC **D24/158; D24/160**

(58) **Field of Classification Search**
USPC **D24/158-161, 185, 186; 606/32-34;**
600/437, 443; 248/282.1
See application file for complete search history.

(56) **References Cited**

U.S. PATENT DOCUMENTS

D438,204 S * 2/2001 Winkler D14/356
D559,390 S * 1/2008 Diener et al. D24/186

D643,535 S * 8/2011 Ross et al. D24/164
D648,855 S * 11/2011 Smith et al. D24/158
D657,470 S * 4/2012 Schon et al. D24/186
D695,898 S * 12/2013 Chung et al. D24/158
D699,852 S * 2/2014 Chung et al. D24/158
2010/0004535 A1* 1/2010 Song et al. 600/437
2012/0289828 A1* 11/2012 Jensen et al. 600/437

* cited by examiner

Primary Examiner — Anhdao Doan

(74) *Attorney, Agent, or Firm* — Perkins Coie LLP

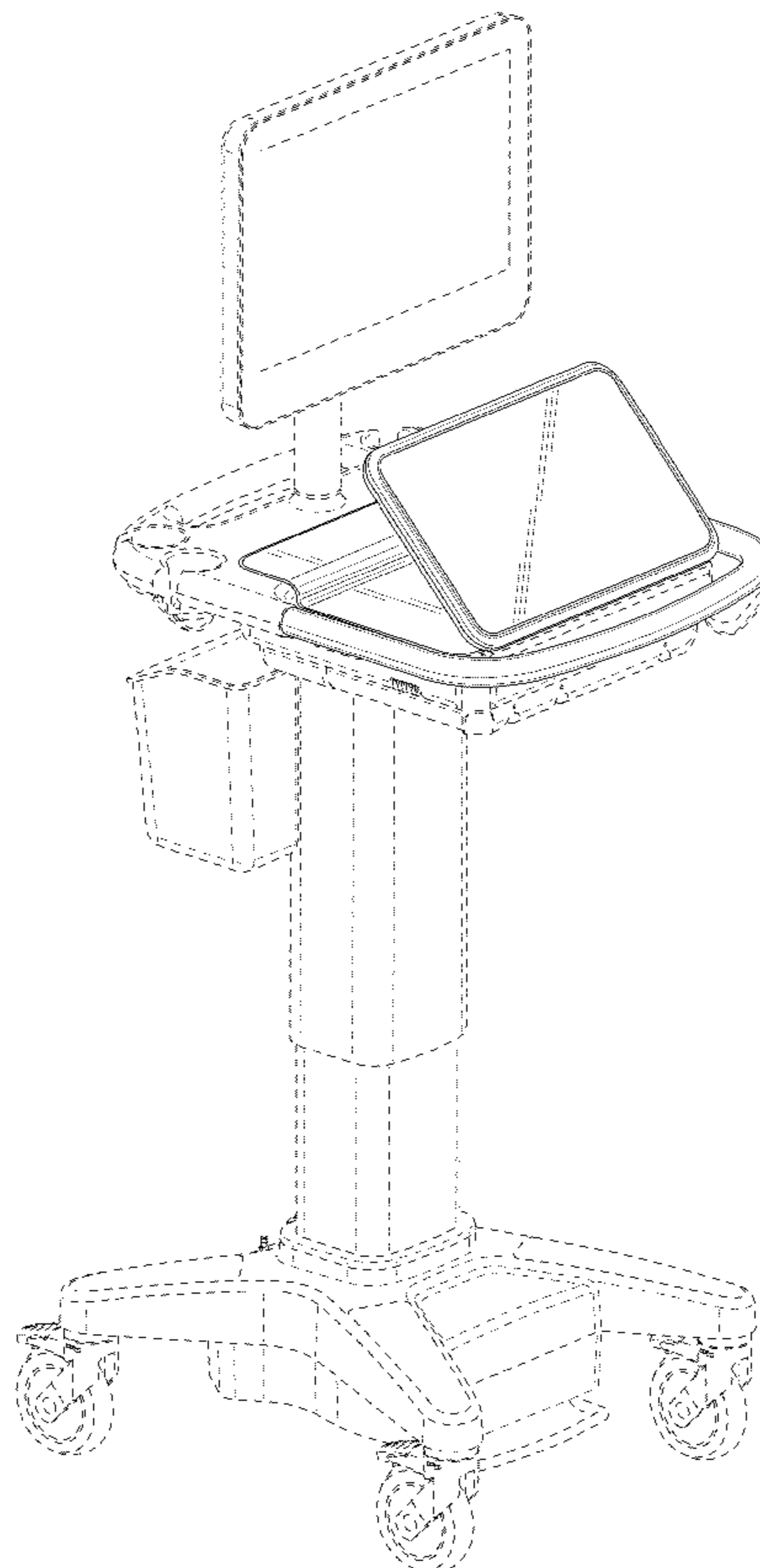
(57) **CLAIM**

The ornamental design for an ultrasound device display, as shown and described.

DESCRIPTION

FIG. 1 is a first perspective view of an ultrasound device display;
FIG. 2 is a second perspective view thereof;
FIG. 3 is a third perspective view thereof;
FIG. 4 is an additional first perspective view thereof, with the ultrasound device display shown in a closed position.
FIG. 5 is an additional second perspective view thereof, with the ultrasound device display shown in a closed position; and,
FIG. 6 is an additional third perspective view thereof, with the ultrasound device display shown in a closed position.
The broken lines in the drawing views represent environmental subject matters and form no part of the claimed design.

1 Claim, 6 Drawing Sheets



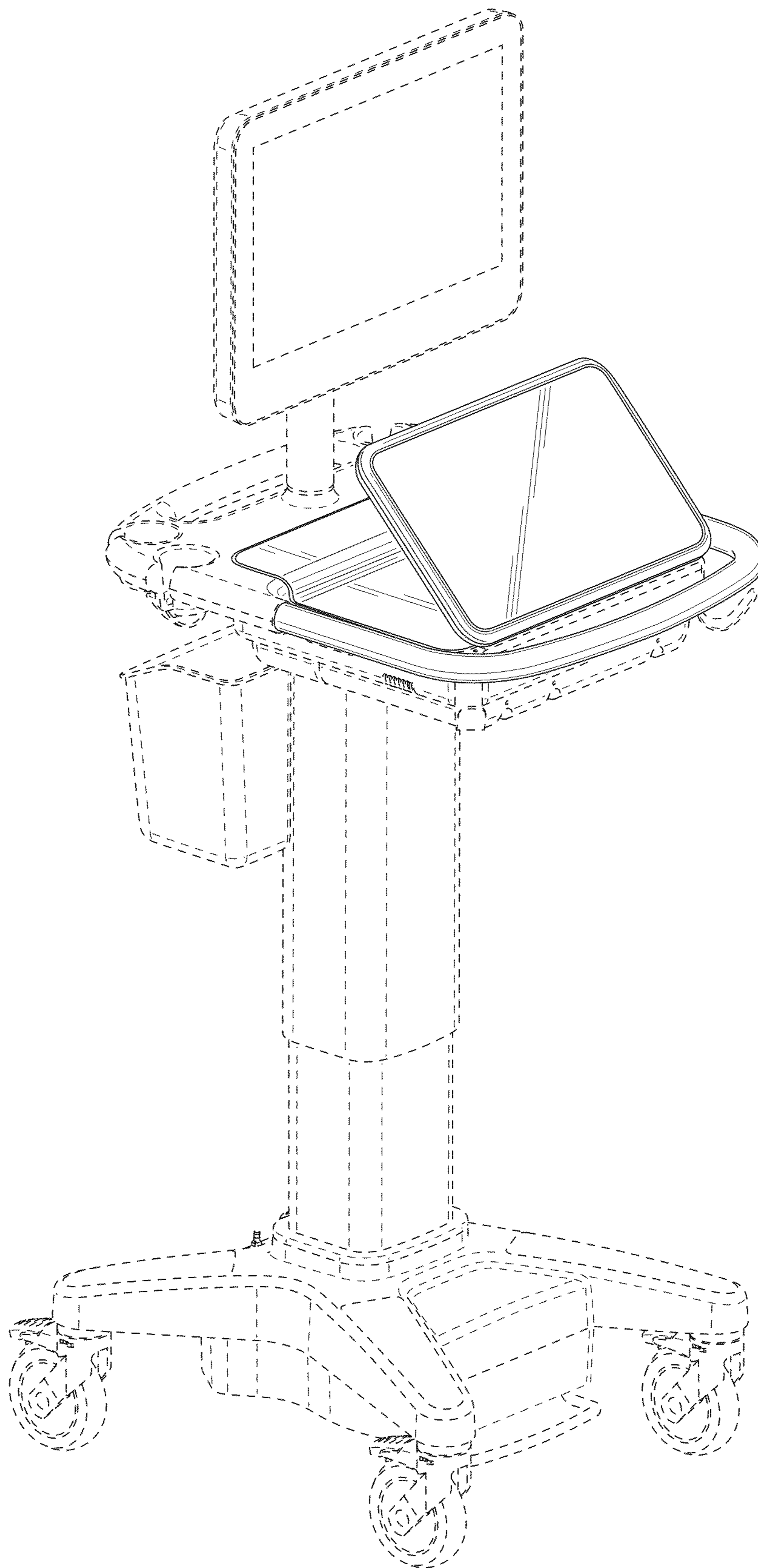


Fig. 1

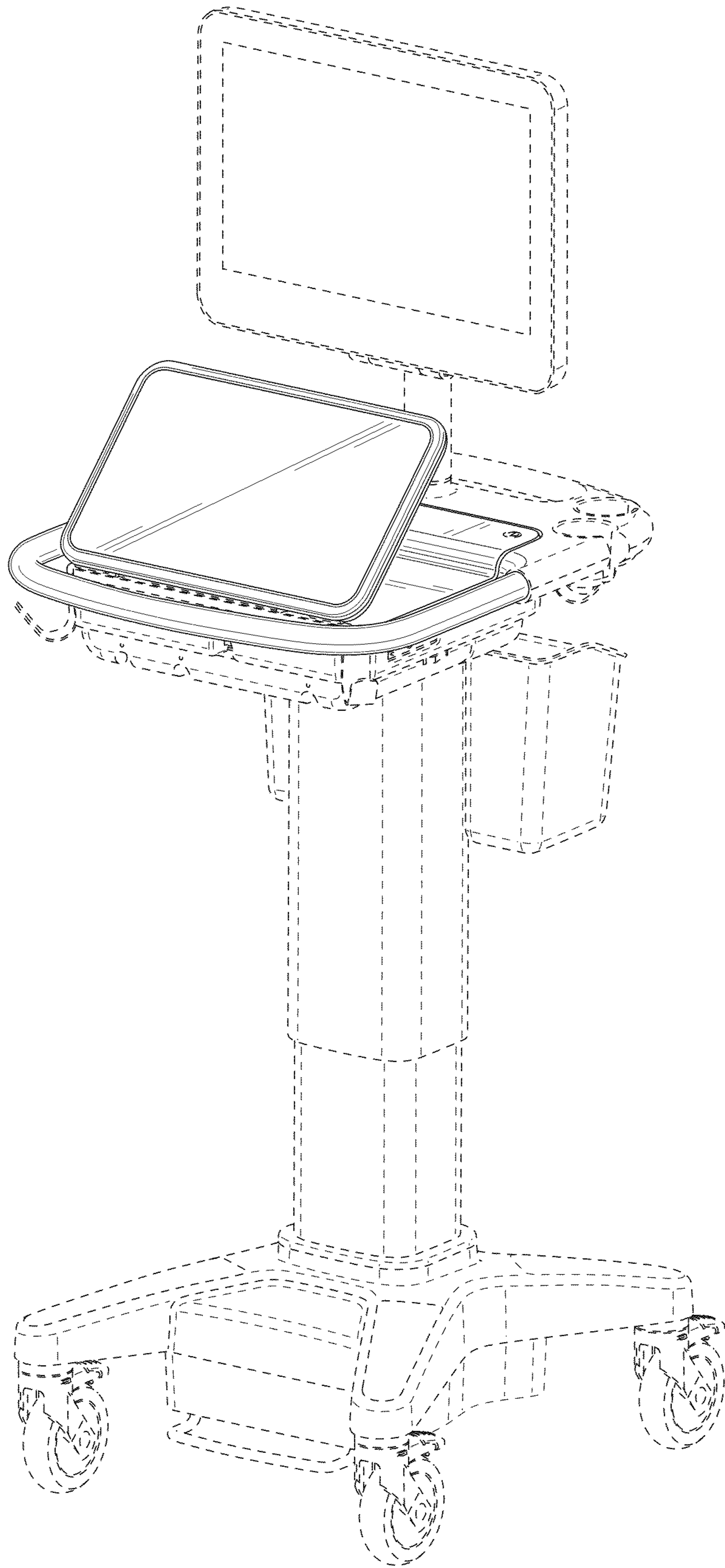


Fig. 2

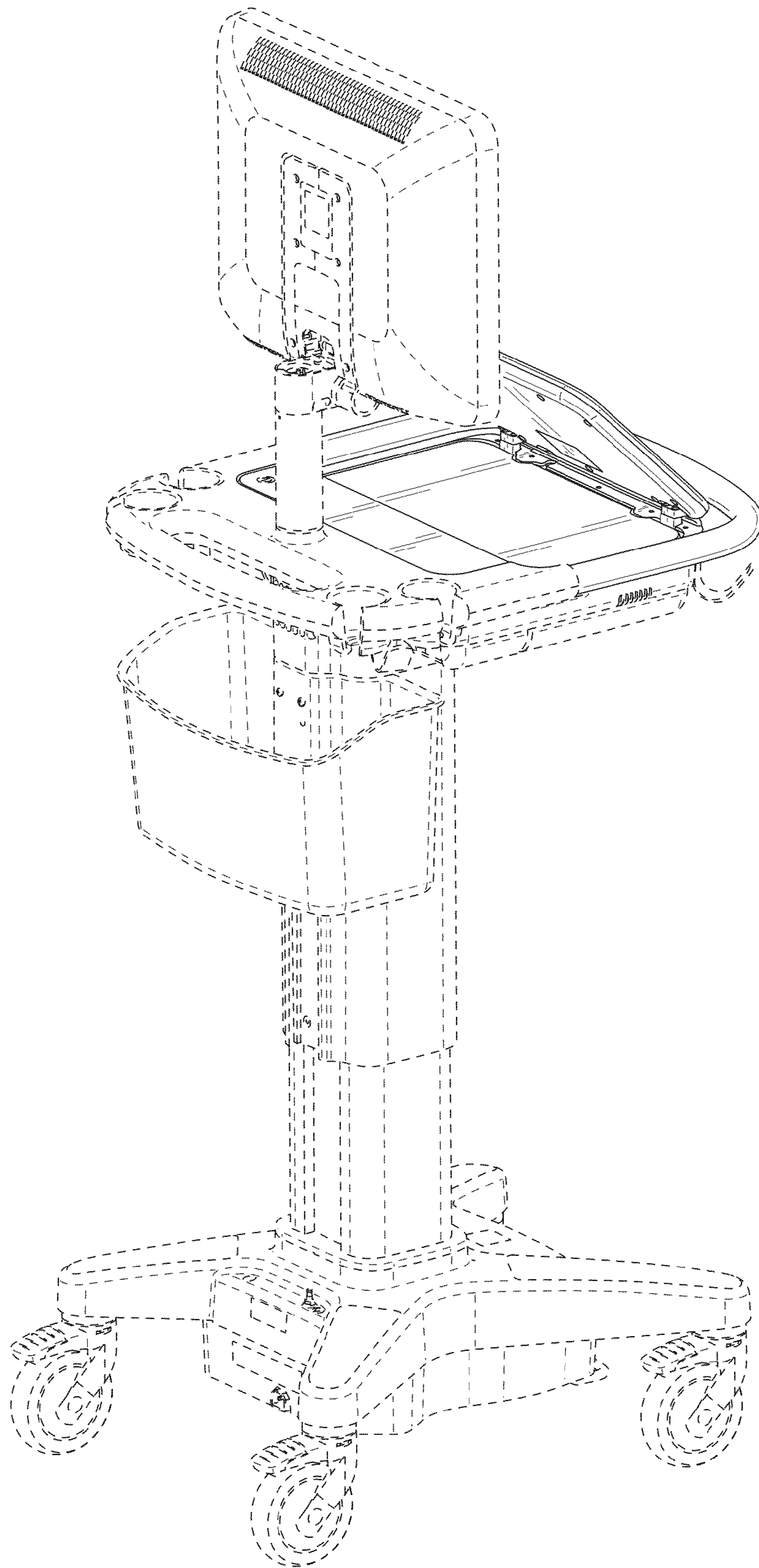


Fig. 3

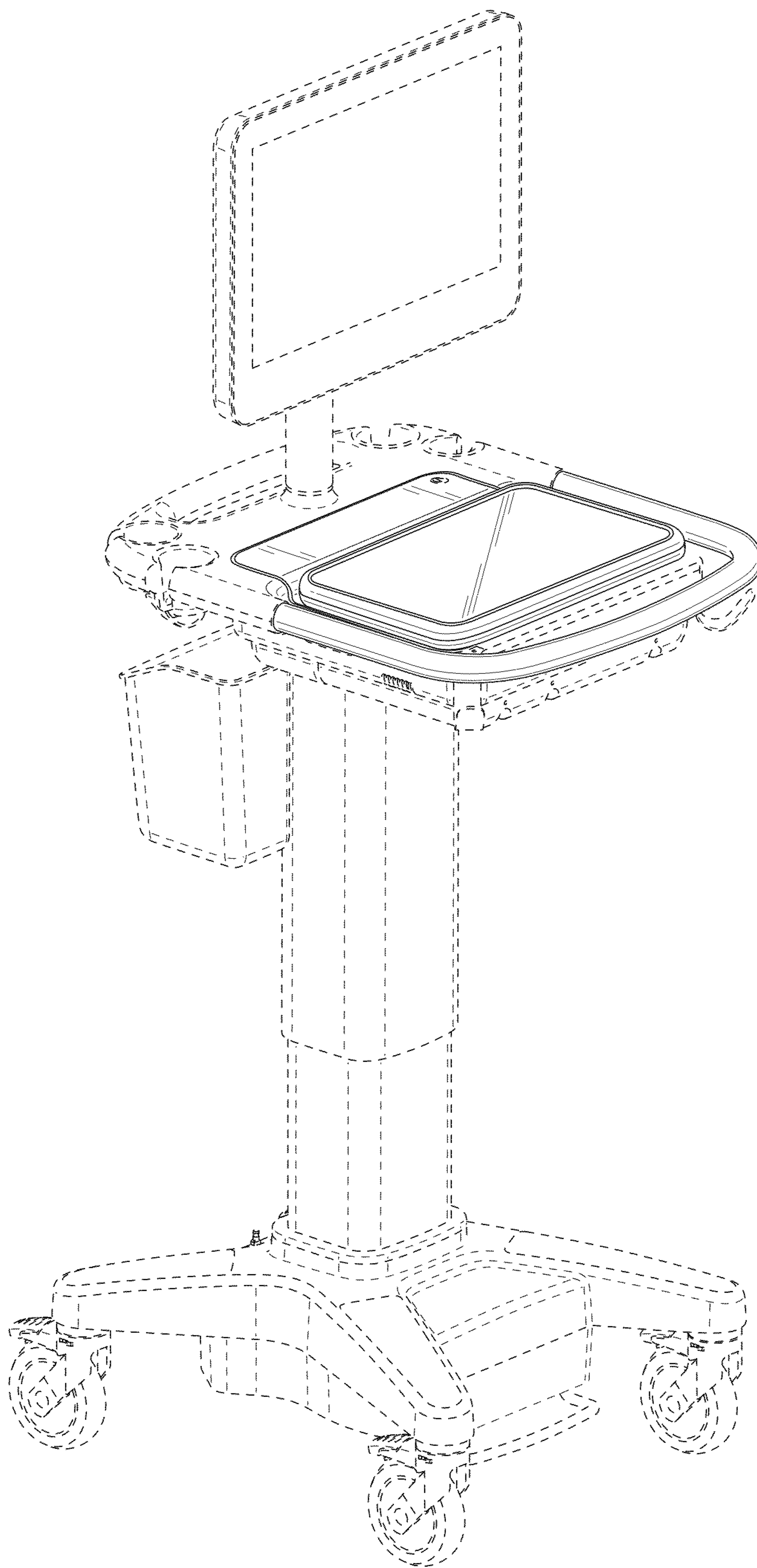


Fig. 4

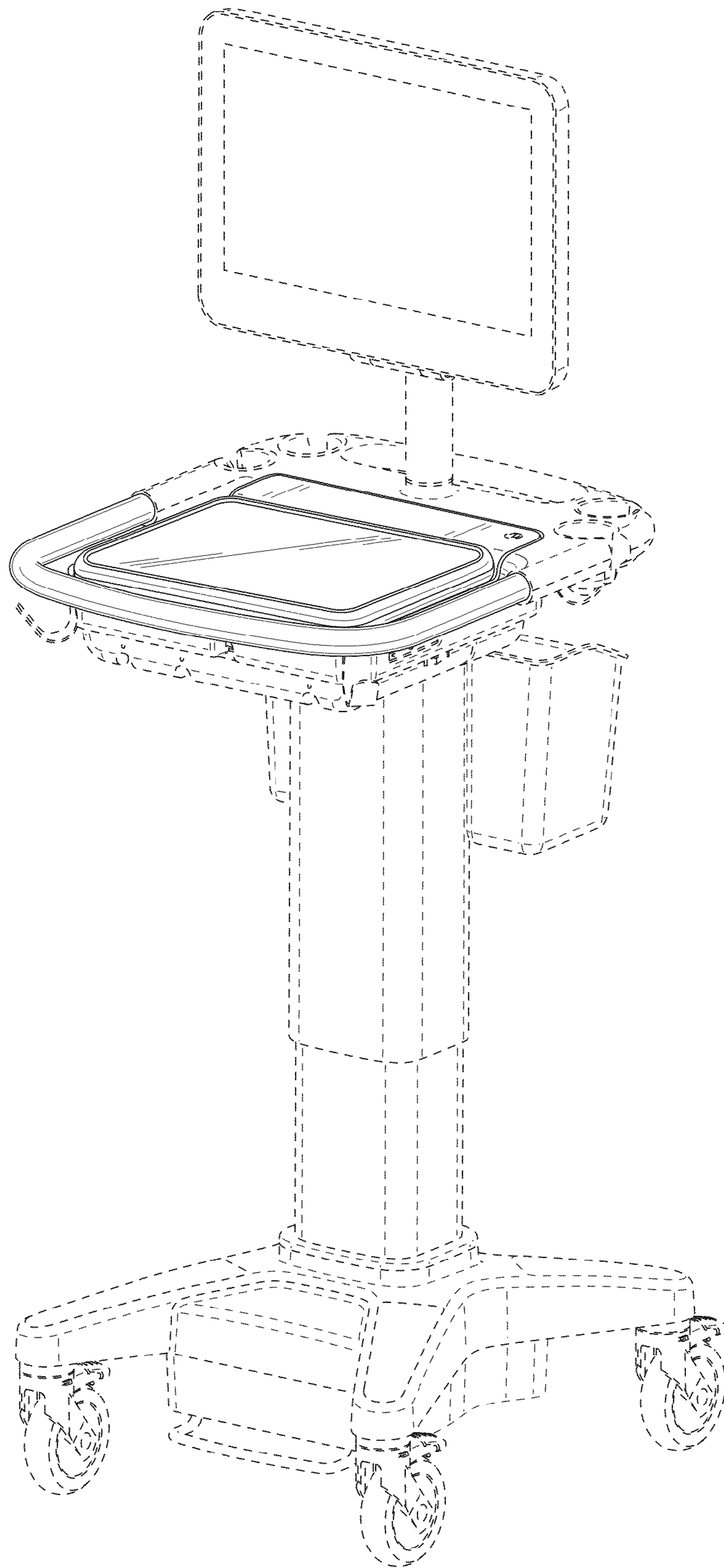


Fig. 5

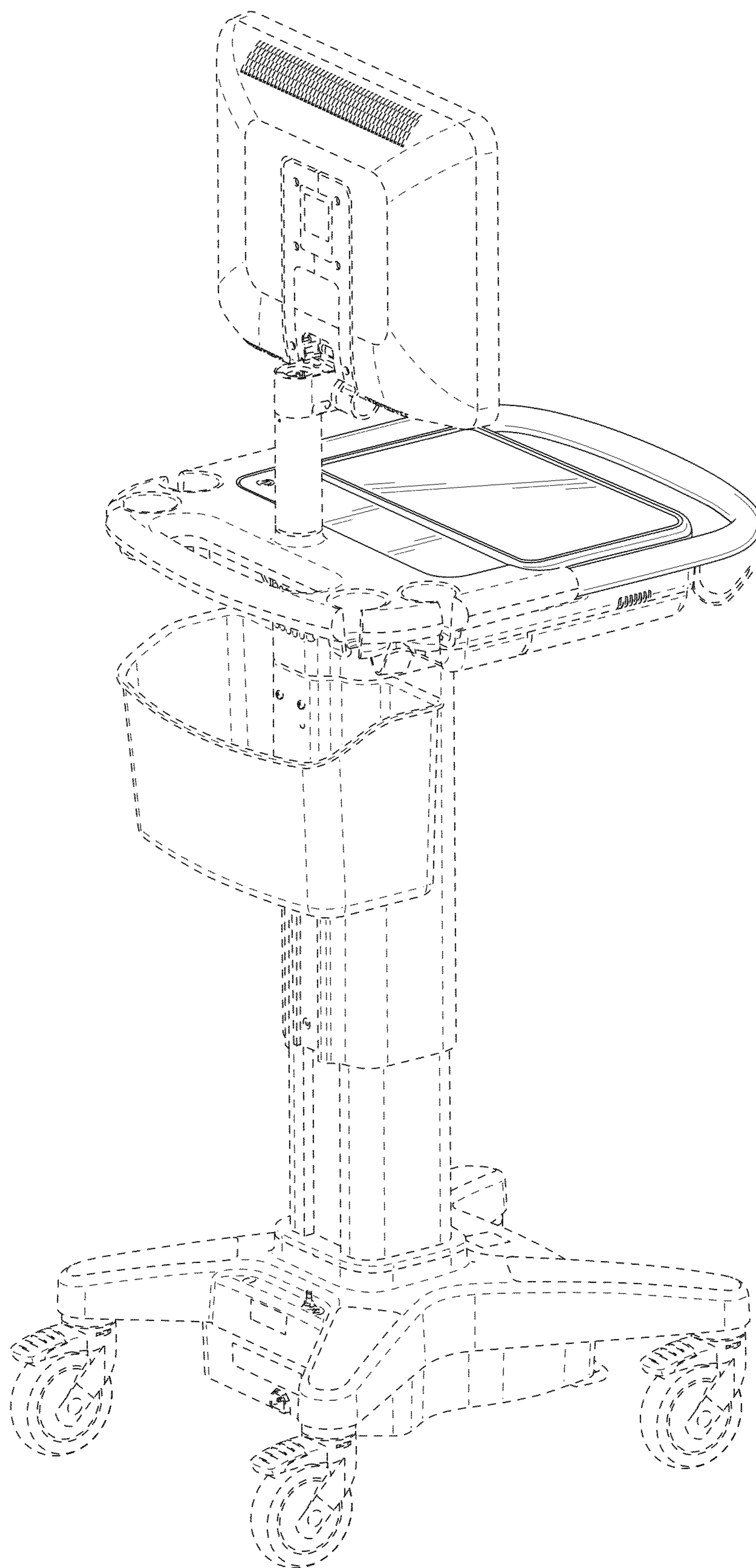


Fig. 6