



US00D712035S

(12) **United States Design Patent**
Ting et al.

(10) **Patent No.:** **US D712,035 S**

(45) **Date of Patent:** **** Aug. 26, 2014**

(54) **INSERT ALIGNING HEAD FOR A DENTAL HANDPIECE**

2007/0087303 A1* 4/2007 Papanek et al. 433/114
2009/0011380 A1* 1/2009 Wang 433/3
2011/0177473 A1* 7/2011 Darwish et al. 433/117

(71) Applicants: **David Ting**, Las Vegas, NV (US); **Yogi Chen**, Las Vegas, NV (US)

* cited by examiner

(72) Inventors: **David Ting**, Las Vegas, NV (US); **Yogi Chen**, Las Vegas, NV (US)

Primary Examiner — Wan Laymon

(74) *Attorney, Agent, or Firm* — Lightbulb IP, LLC

(73) Assignee: **Handpiece Club LLC**, Las Vegas, NV (US)

(57) **CLAIM**

The ornamental design for an insert aligning head for a dental handpiece, as shown and described.

(**) Term: **14 Years**

DESCRIPTION

(21) Appl. No.: **29/464,623**

FIG. 1 is a right front perspective view of an insert aligning head for a dental handpiece.

(22) Filed: **Aug. 19, 2013**

FIG. 2 is a left back perspective view of the insert aligning head for a dental handpiece.

(51) **LOC (10) Cl.** **24-02**

(52) **U.S. Cl.**

FIG. 3 is a front view of the insert aligning head for a dental handpiece.

USPC **D24/152**

(58) **Field of Classification Search**

FIG. 4 is a right side view of the insert aligning head for a dental handpiece.

USPC D24/146, 152, 154, 176; 433/3, 82, 88, 433/114, 126, 141, 229

See application file for complete search history.

FIG. 5 is a back view of the insert aligning head for a dental handpiece.

(56) **References Cited**

U.S. PATENT DOCUMENTS

D427,311 S * 6/2000 Henrikson D24/152
D427,682 S * 7/2000 Novak D24/152
D463,556 S * 9/2002 Bareth et al. D24/152
7,255,559 B2 * 8/2007 Shen et al. 433/125
D550,358 S * 9/2007 Nakanishi D24/146
D556,323 S * 11/2007 Nakanishi D24/146
2004/0053192 A1 * 3/2004 Schneider et al. 433/114

FIG. 6 is a left side view of the insert aligning head for a dental handpiece.

FIG. 7 is a top view of the insert aligning head for a dental handpiece.

FIG. 8 is a bottom view of the insert aligning head for a dental handpiece; and,

FIG. 9 is a close-up perspective view of region 9 of FIG. 2.

The portions shown in broken lines in the drawings illustrate an environment and are not part of the claimed design.

1 Claim, 3 Drawing Sheets

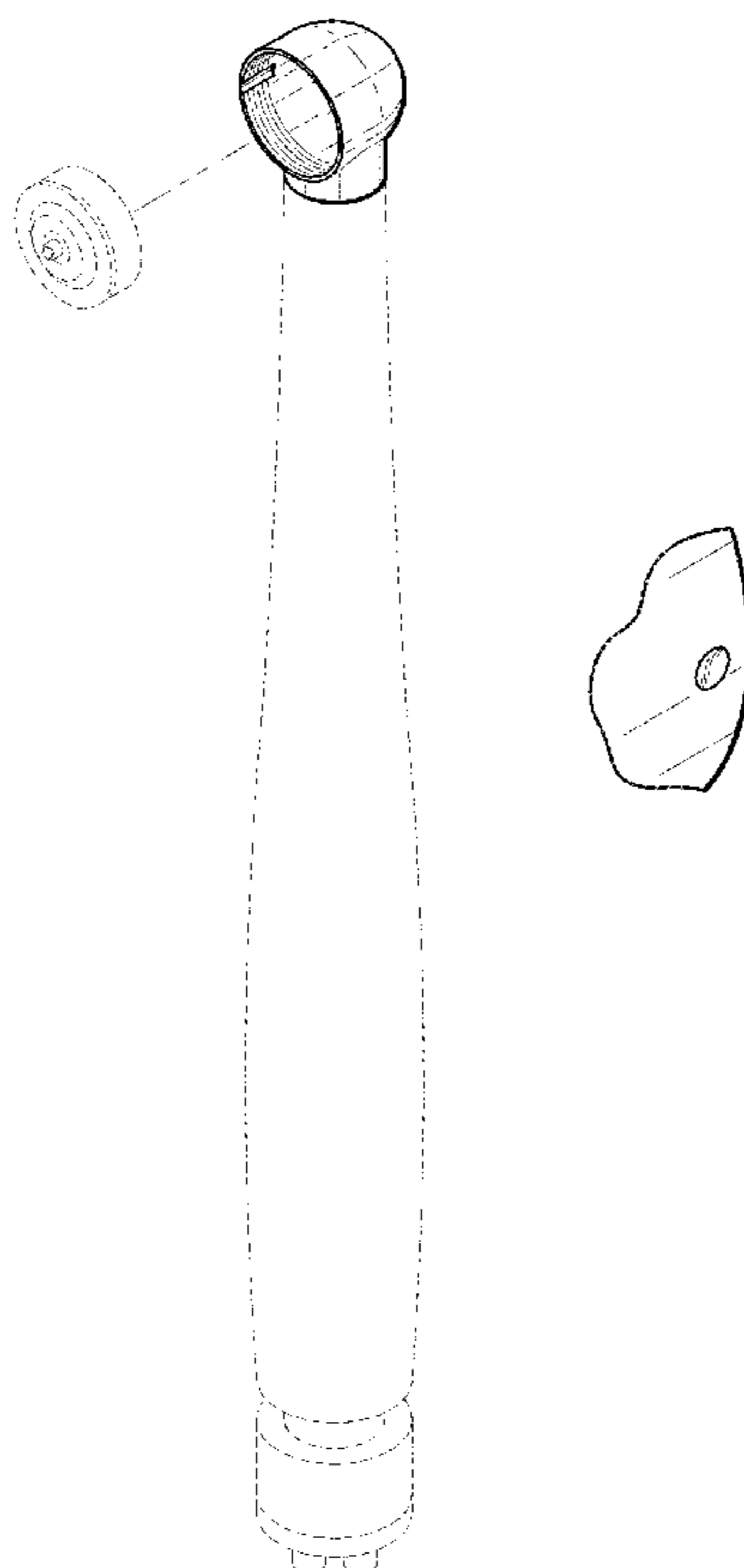




FIG. 1

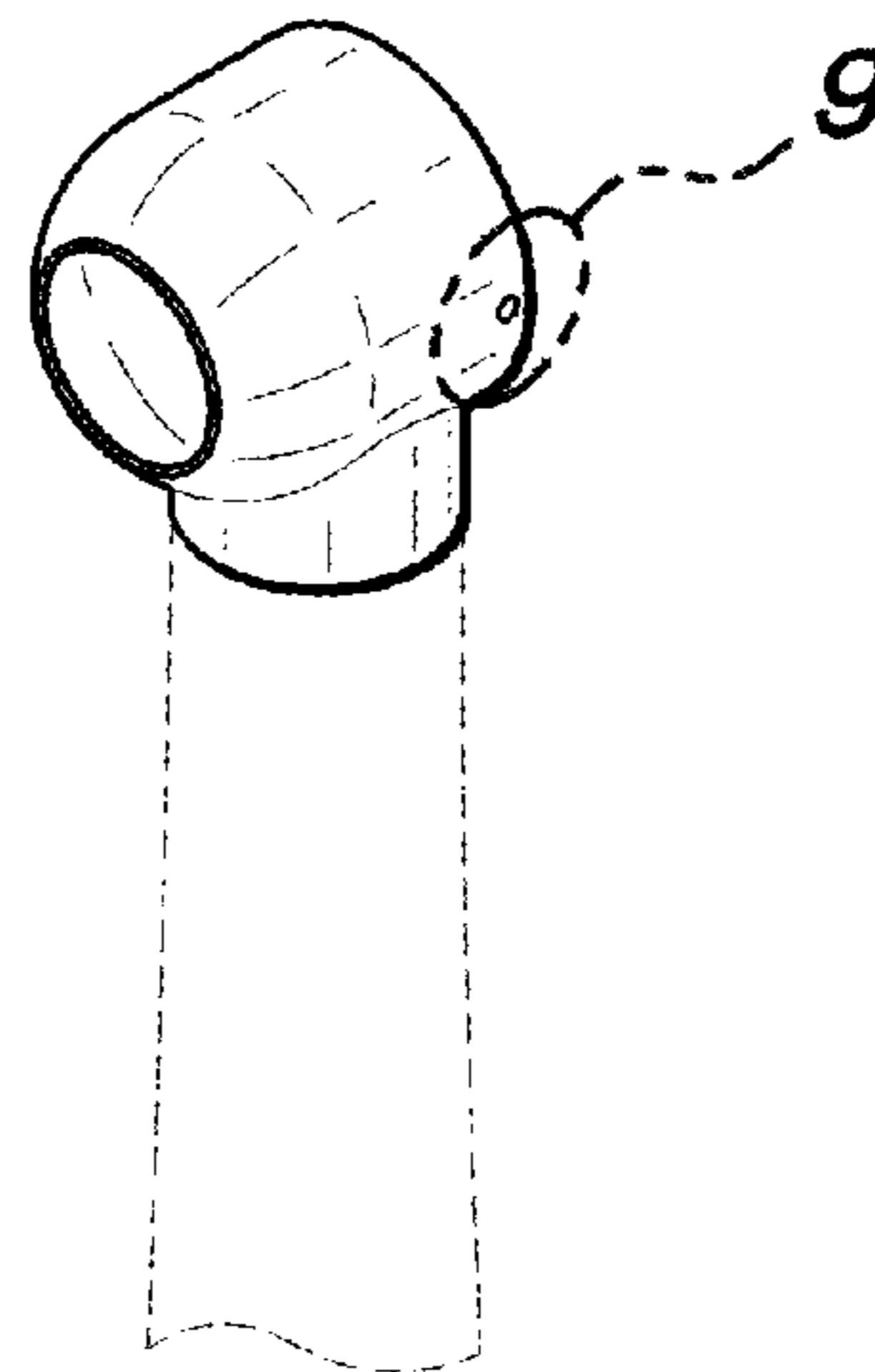


FIG. 2

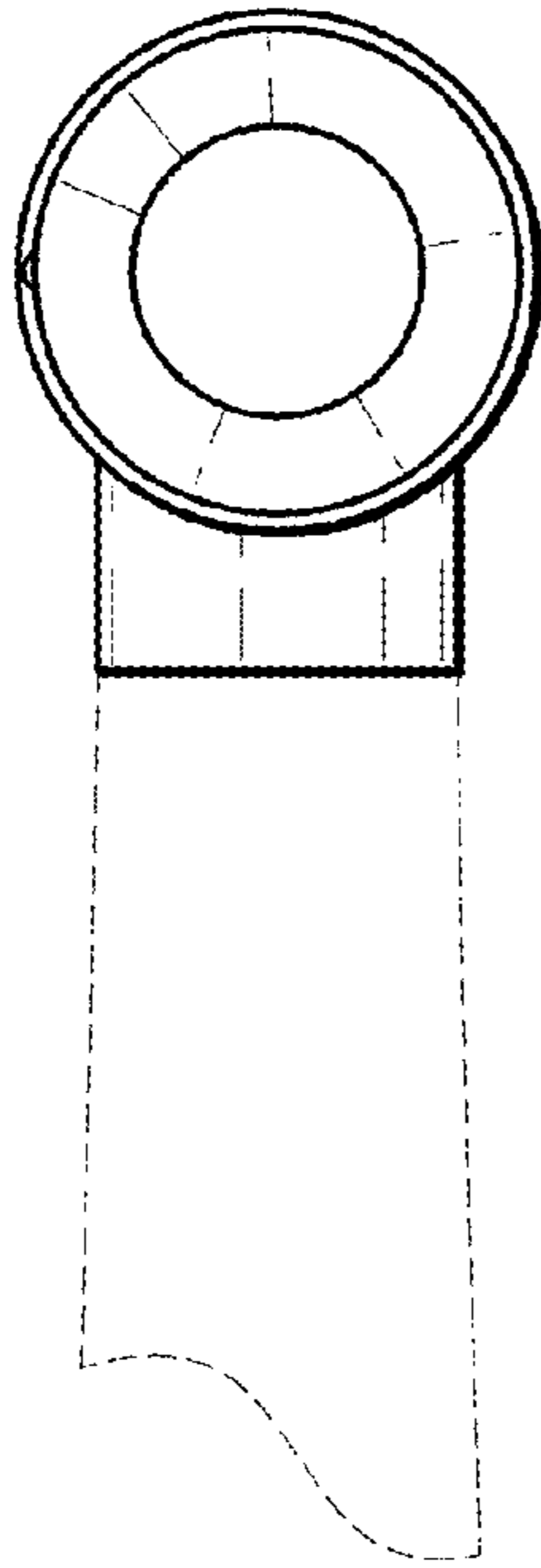


FIG. 3

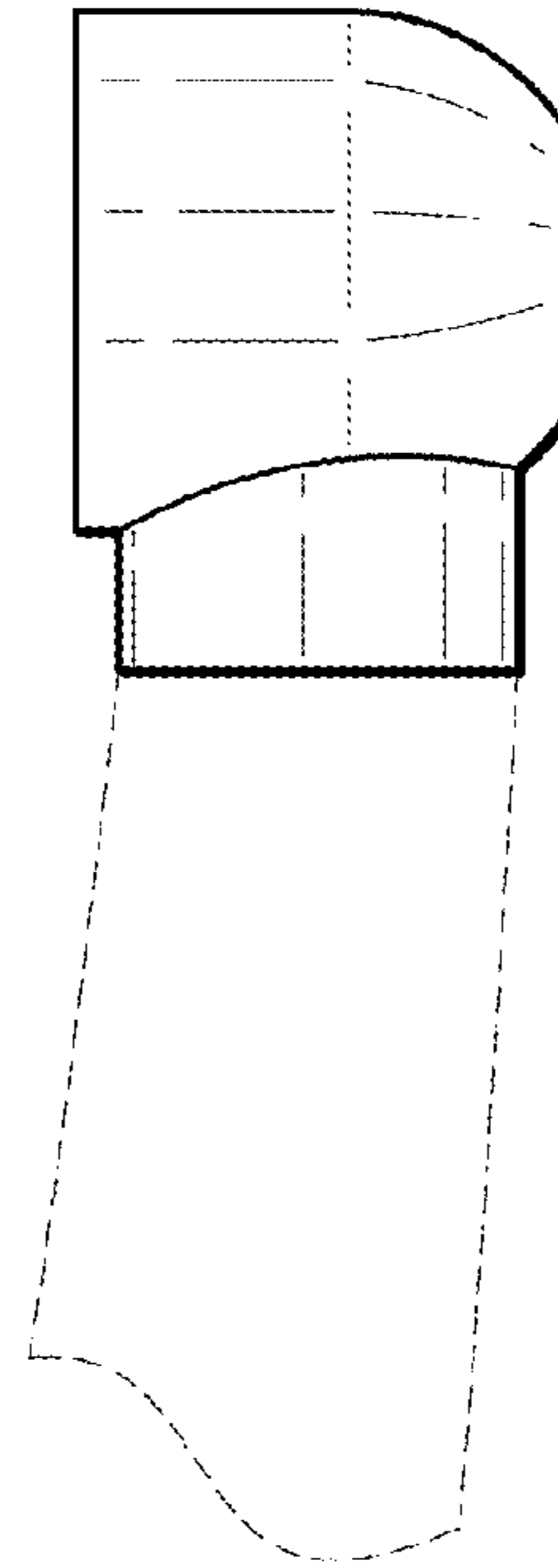


FIG. 4

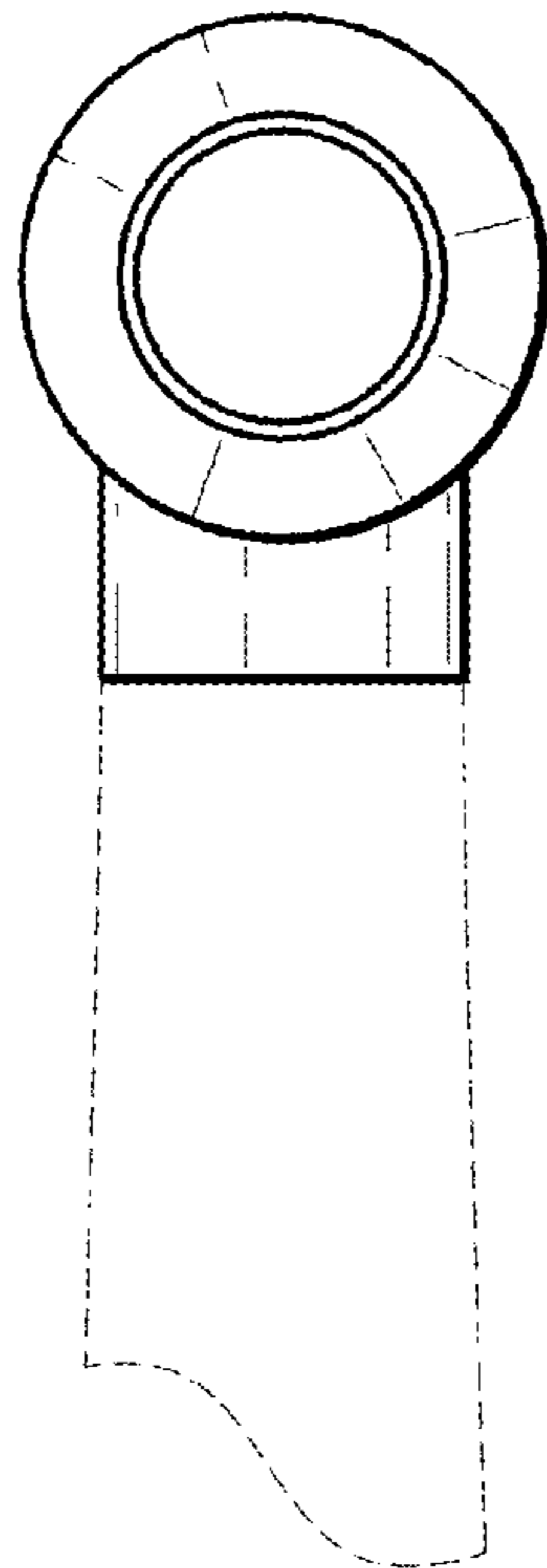


FIG. 5

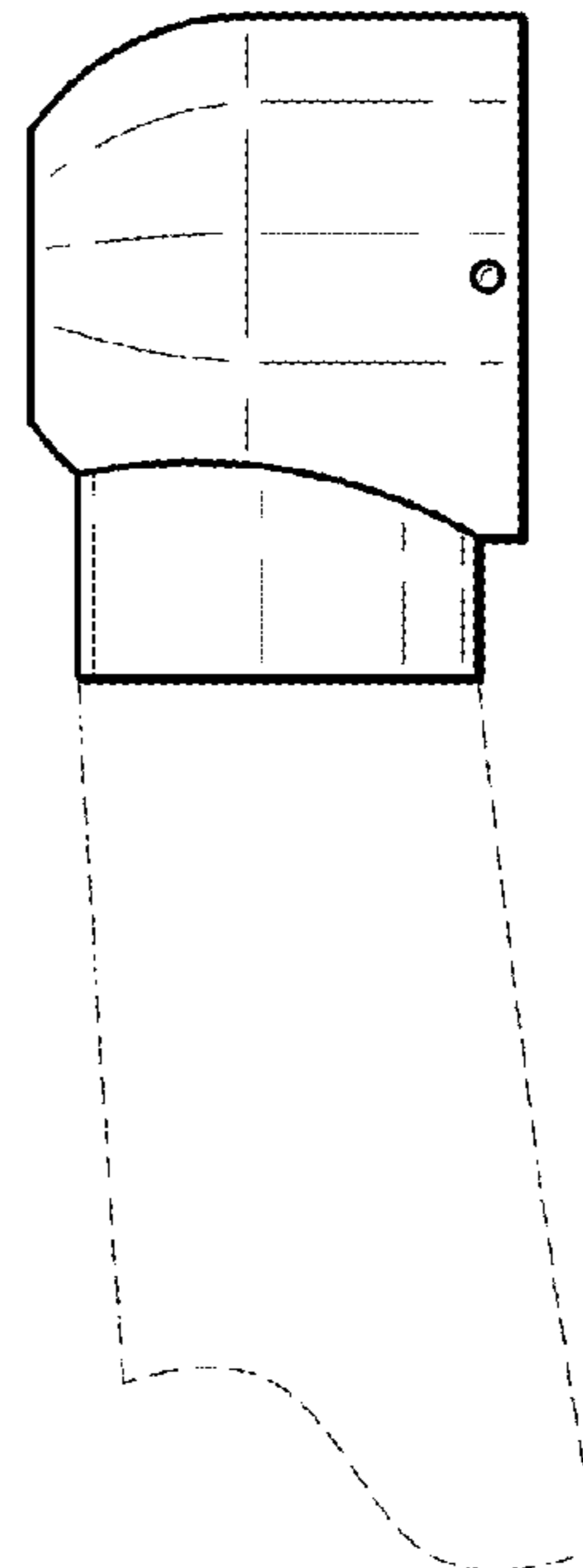


FIG. 6

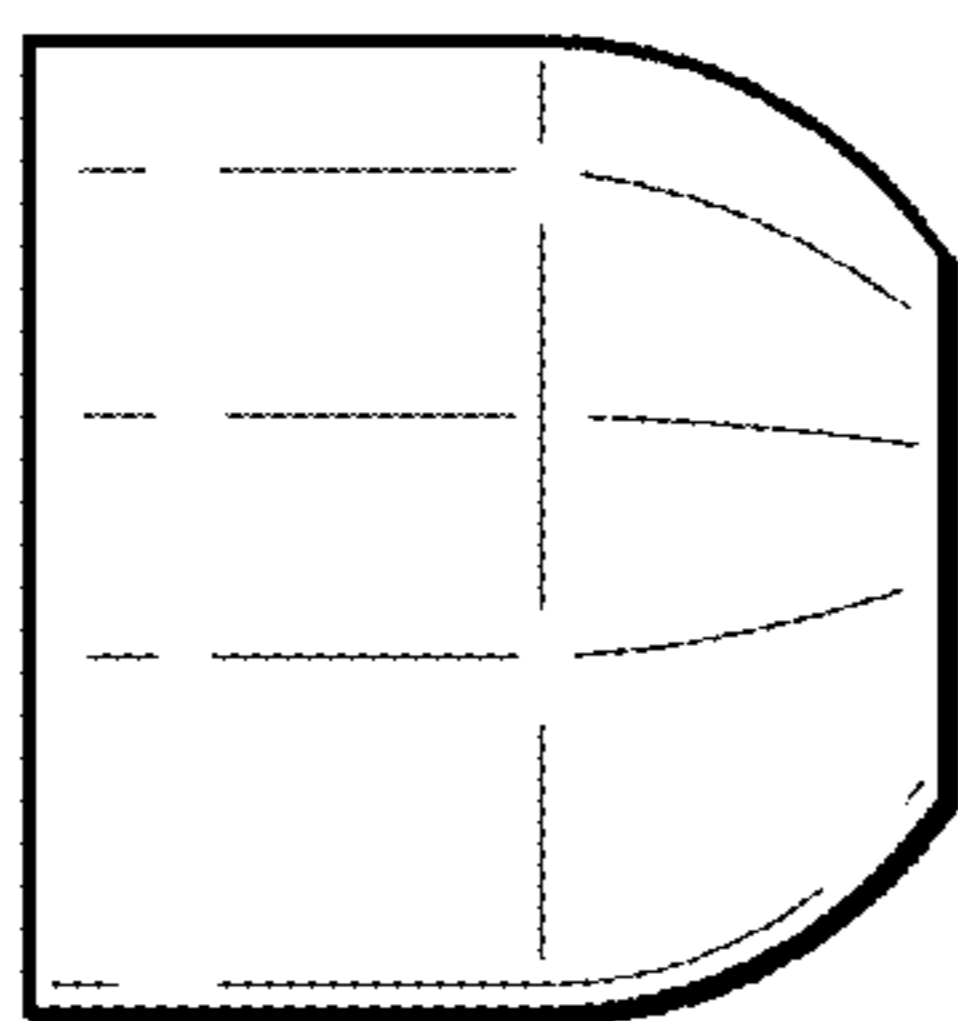


FIG. 7

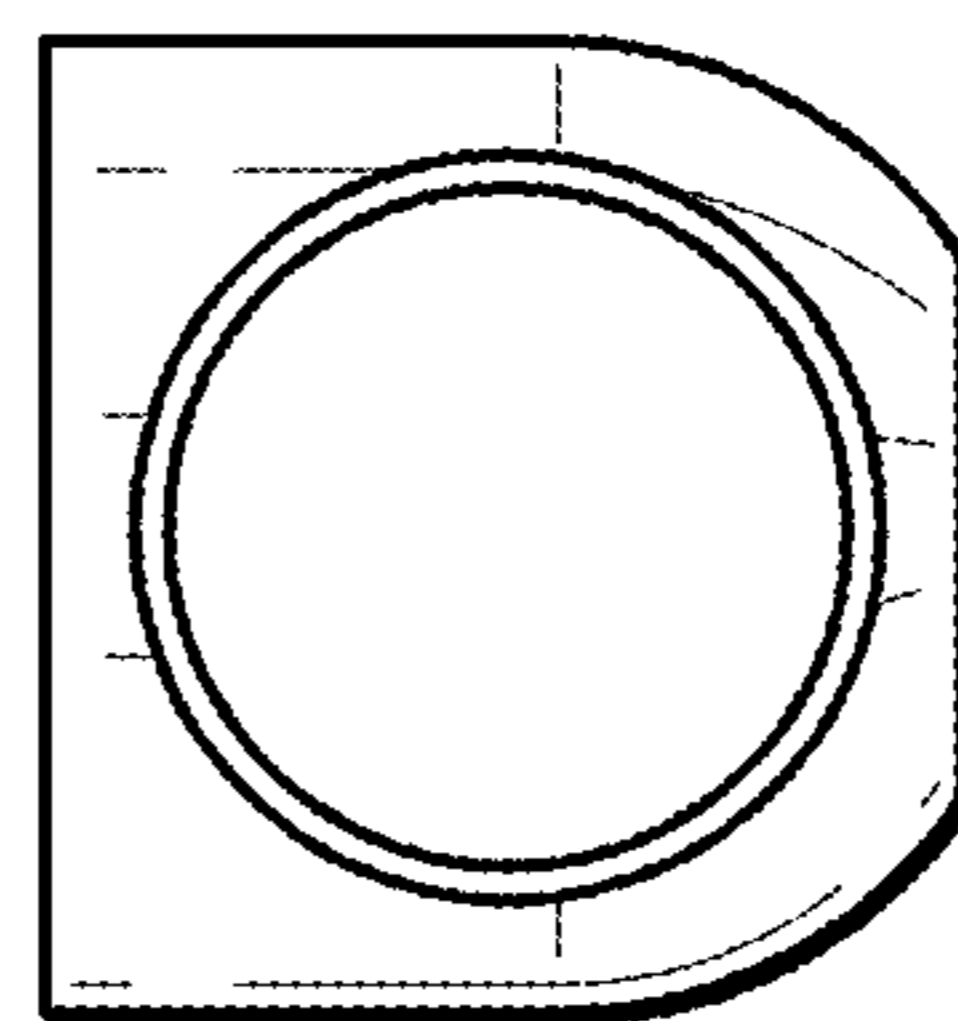


FIG. 8

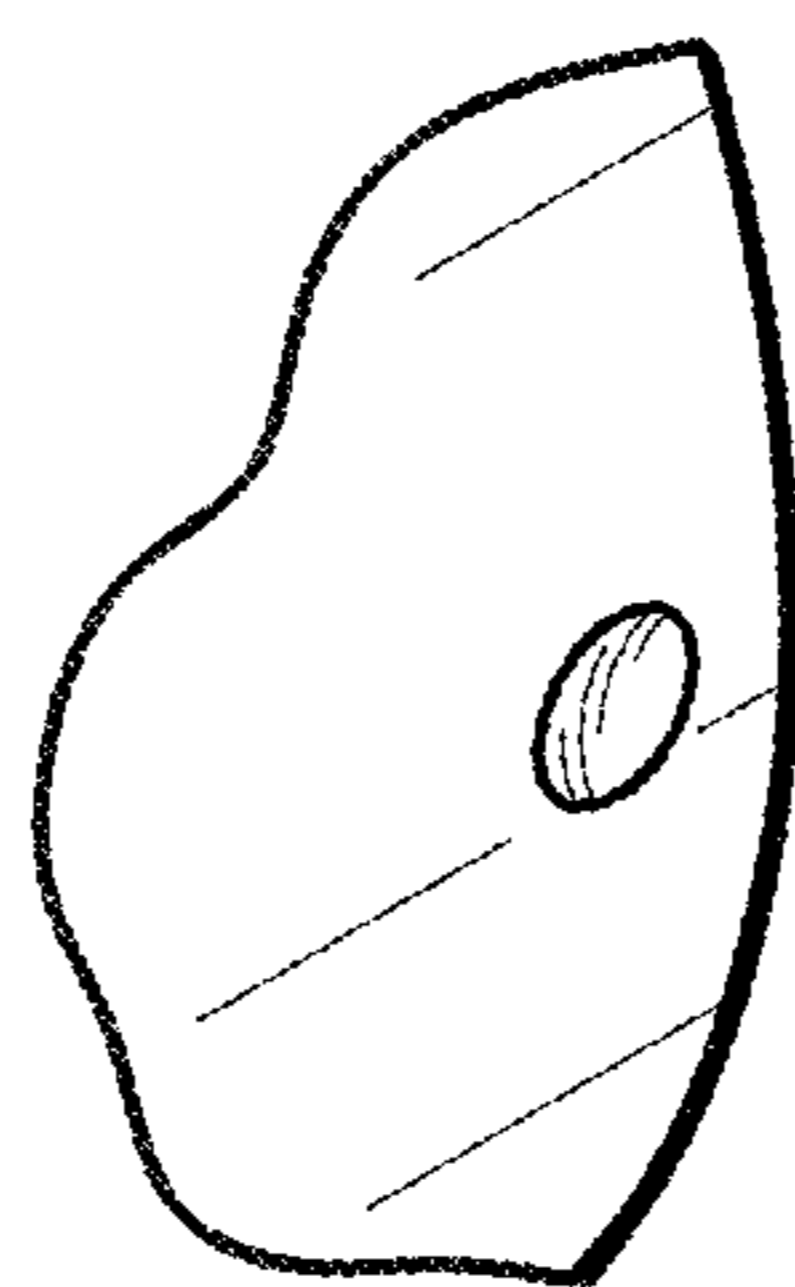


FIG. 9