



US00D712031S

(12) **United States Design Patent**
Feng et al.

(10) **Patent No.:** **US D712,031 S**

(45) **Date of Patent:** **** Aug. 26, 2014**

(54) **ELECTROSURGICAL CONTROLLER**

(71) Applicant: **ArthroCare Corporation**, Austin, TX (US)

(72) Inventors: **Jeffery F. Feng**, Sugar Land, TX (US); **Bartosz M. Korec**, Palm Harbor, FL (US); **Philip J. D'Almada Remedios**, Palm Harbor, FL (US); **George Morrison**, Austin, TX (US); **Jean Woloszko**, Austin, TX (US)

(73) Assignee: **ArthroCare Corporation**, Austin, TX (US)

(**) Term: **14 Years**

(21) Appl. No.: **29/448,348**

(22) Filed: **Mar. 12, 2013**

(51) **LOC (10) Cl.** **24-02**

(52) **U.S. Cl.**
USPC **D24/144**

(58) **Field of Classification Search**
USPC D24/144, 107, 138, 170, 186;
606/34-35, 32, 38, 41-42, 48-50
See application file for complete search history.

(56) **References Cited**

U.S. PATENT DOCUMENTS

D396,108 S * 7/1998 Garito et al. D24/144
6,273,886 B1 * 8/2001 Edwards et al. 606/34

6,494,880 B1 * 12/2002 Swanson et al. 606/40
6,977,495 B2 * 12/2005 Donofrio 606/42
7,476,233 B1 * 1/2009 Wiener et al. 606/169
7,582,084 B2 * 9/2009 Swanson et al. 606/40
8,052,675 B2 * 11/2011 Lorang et al. 606/34
8,192,424 B2 6/2012 Woloszko 606/40
D670,386 S * 11/2012 Yanagawa D24/144
8,551,088 B2 * 10/2013 Falkenstein et al. 606/51
8,574,187 B2 * 11/2013 Marion 604/41
2008/0172048 A1 * 7/2008 Martin et al. 606/34
2012/0101494 A1 4/2012 Cadouri et al. 606/41
2012/0215221 A1 8/2012 Woloszko 606/50

* cited by examiner

Primary Examiner — Wan Laymon

(74) *Attorney, Agent, or Firm* — Matthew Scheele; Brian E. Szymczak

(57) **CLAIM**

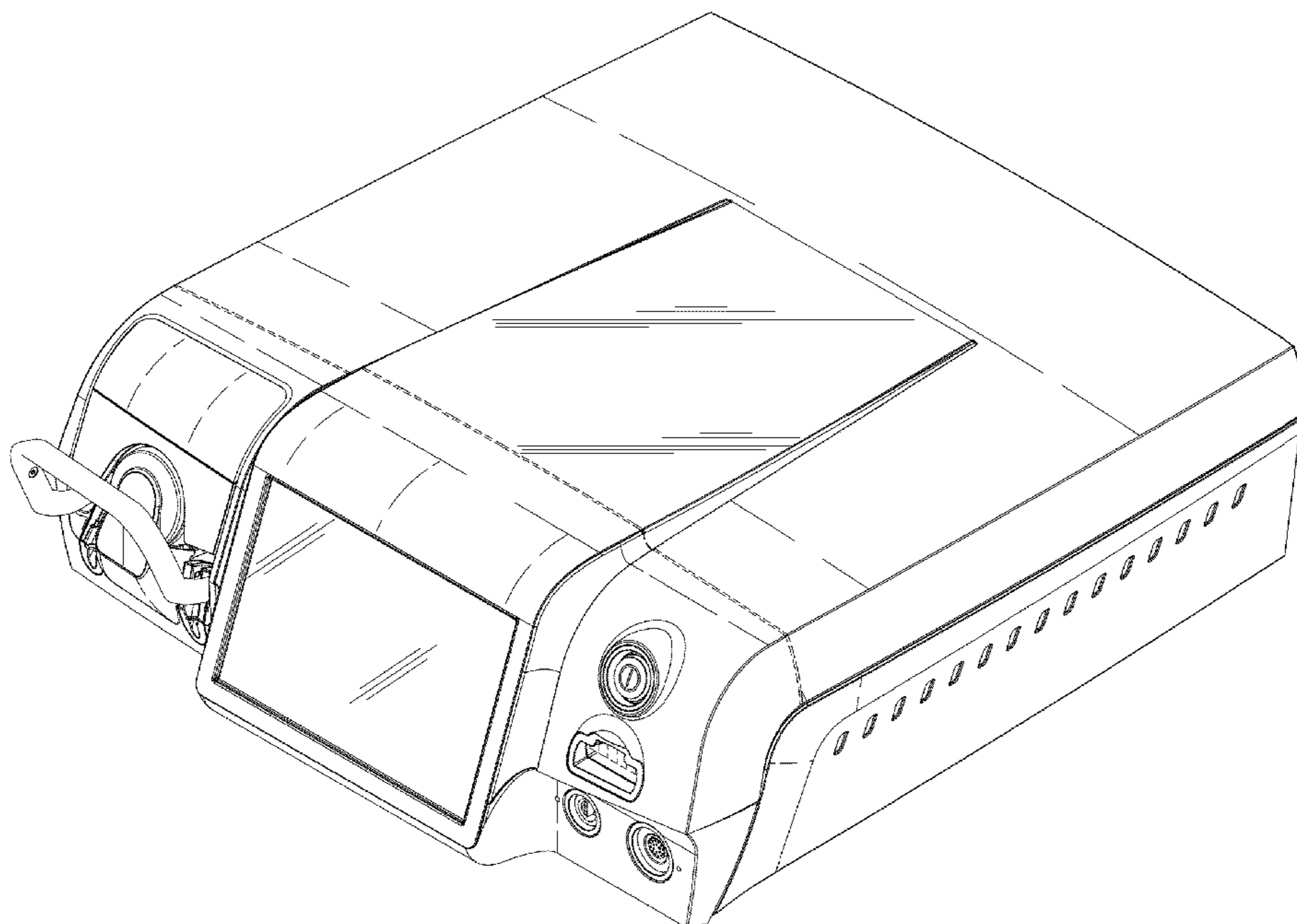
The ornamental design for an electrosurgical controller, as shown and described.

DESCRIPTION

FIG. 1 is a perspective view of the electrosurgical controller; FIG. 2 is an overhead view of the electrosurgical controller; FIG. 3 is a side elevation view of the electrosurgical controller; FIG. 4 is a side elevation view of the electrosurgical controller; and, FIG. 5 is a front elevation view of the electrosurgical controller.

The portions of the electrosurgical controller depicted in broken lines form no part of the claimed design.

1 Claim, 4 Drawing Sheets



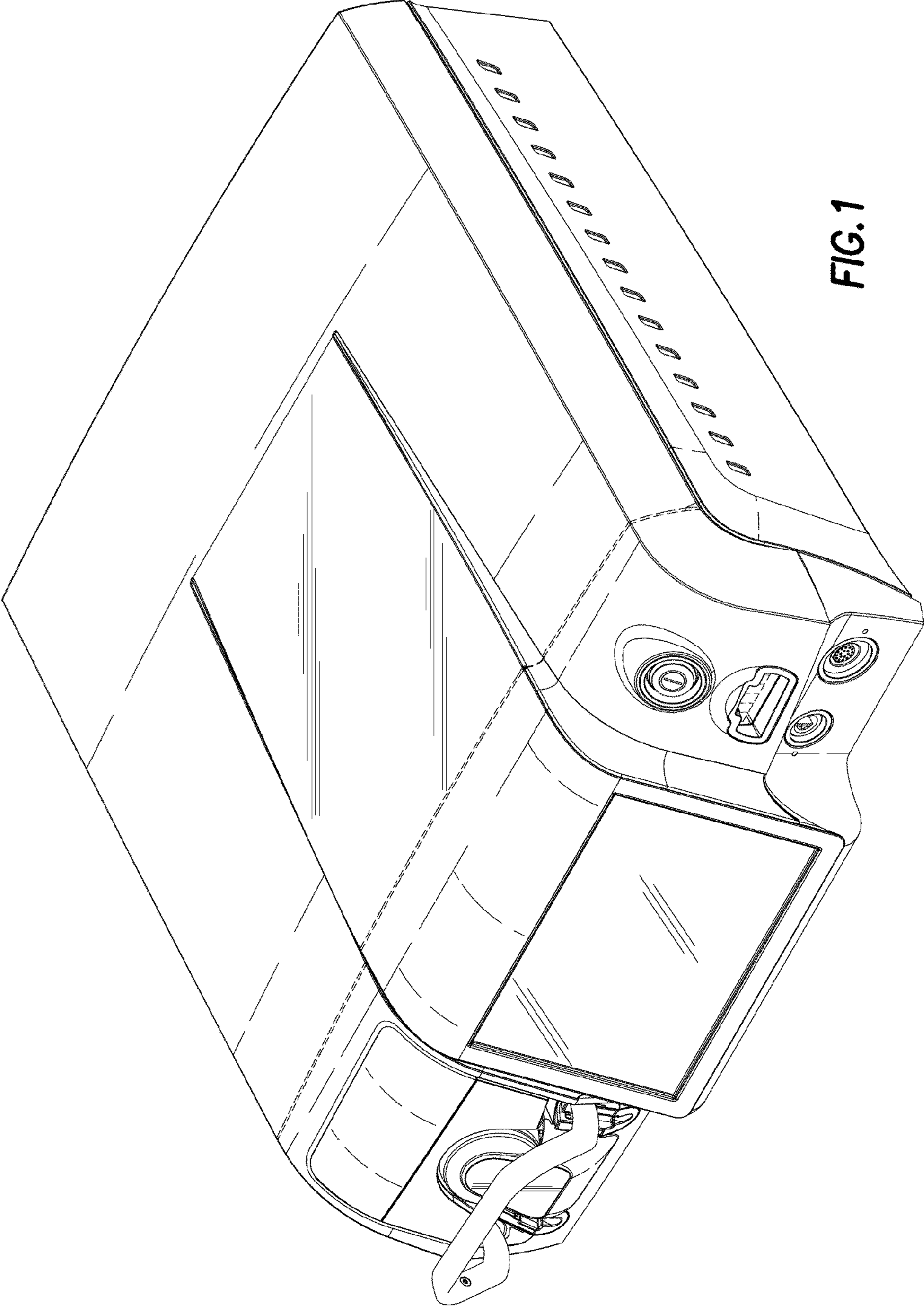


FIG. 1



FIG.2

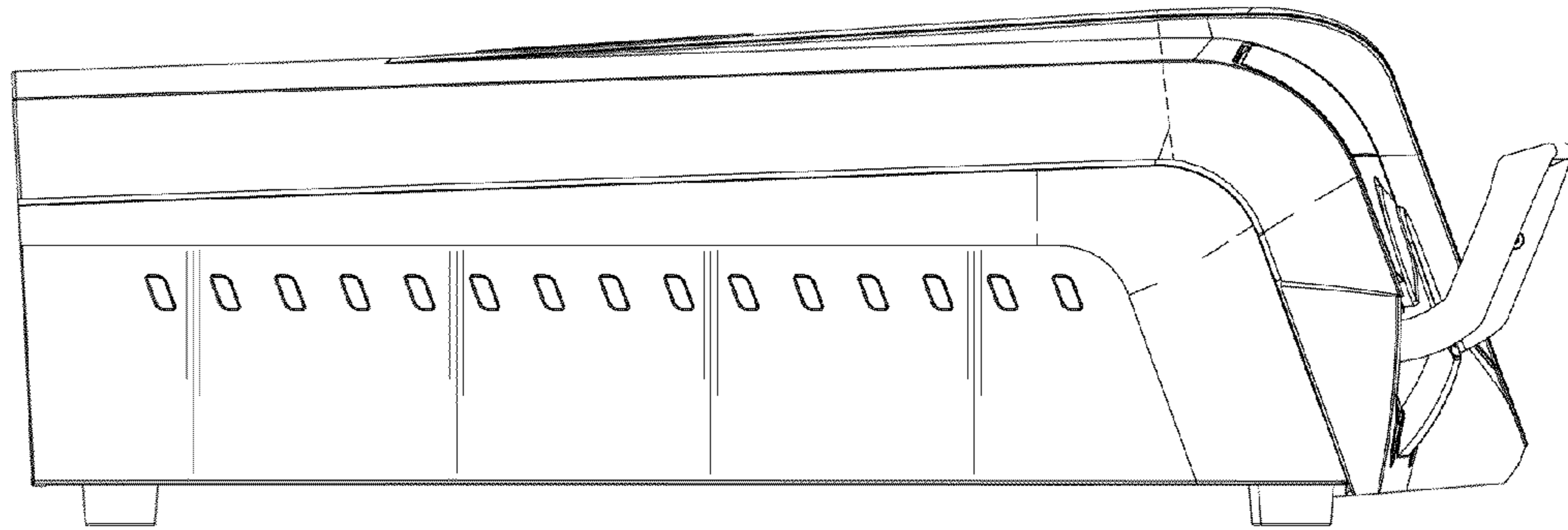


FIG.3

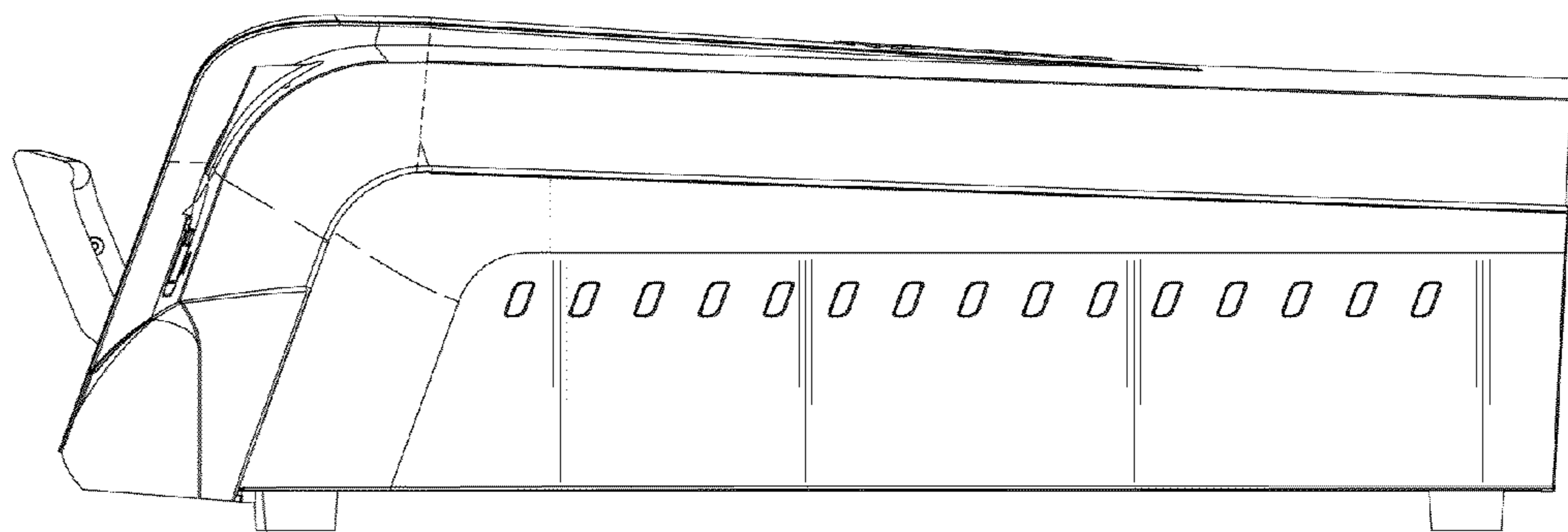


FIG.4

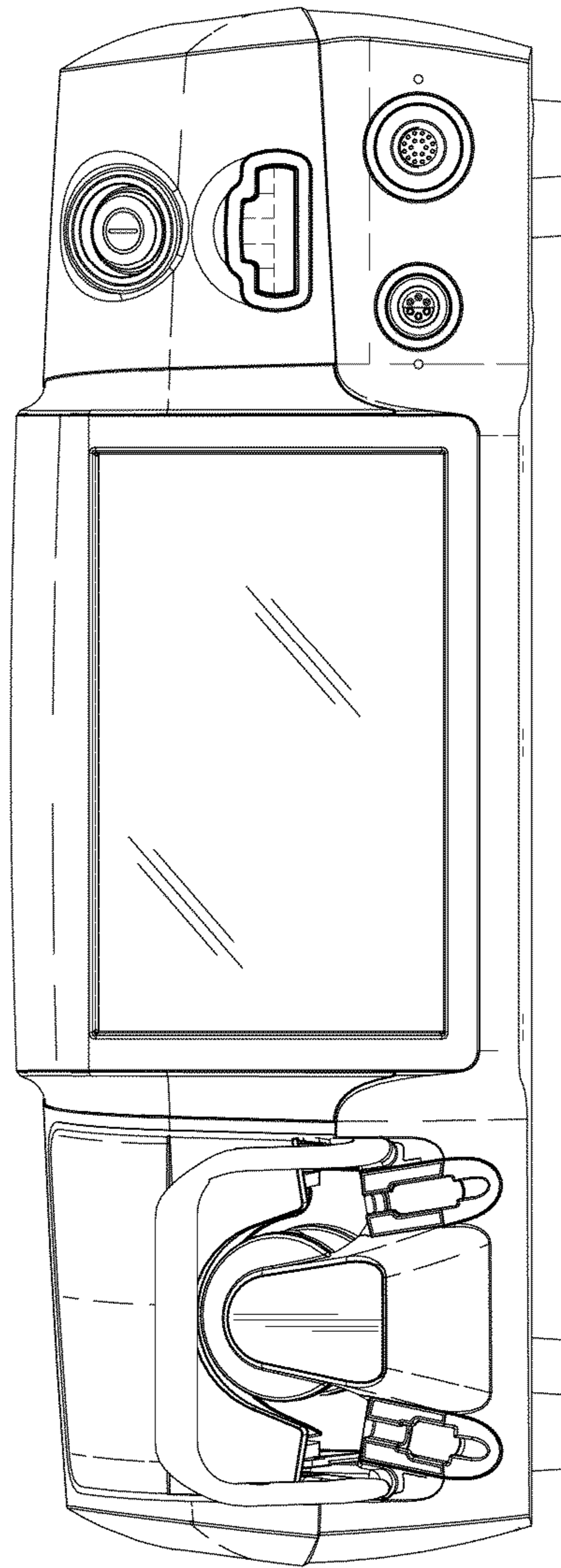


FIG. 5