



US00D712028S

(12) **United States Design Patent**  
**Takemoto**

(10) **Patent No.:** **US D712,028 S**

(45) **Date of Patent:** **\*\* Aug. 26, 2014**

(54) **PORTION OF A MEDICAL SYRINGE WITH NEEDLE**

(71) Applicant: **Terumo Kabushiki Kaisha**, Tokyo (JP)

(72) Inventor: **Masafumi Takemoto**, Yamanashi (JP)

(73) Assignee: **Terumo Kabushiki Kaisha**, Tokyo (JP)

(\*\*) Term: **14 Years**

(21) Appl. No.: **29/476,794**

(22) Filed: **Dec. 17, 2013**

**Related U.S. Application Data**

(62) Division of application No. 29/391,802, filed on May 13, 2011, now Pat. No. Des. 698,020.

(30) **Foreign Application Priority Data**

May 2, 2011 (JP) ..... 2011-010172

May 2, 2011 (JP) ..... 2011-010173

May 2, 2011 (JP) ..... 2011-010174

(51) **LOC (10) Cl.** ..... **24-02**

(52) **U.S. Cl.**  
USPC ..... **D24/130**

(58) **Field of Classification Search**  
USPC ..... D24/112-114, 127-131, 133, 186, 146, D24/147; 606/162, 180, 181, 185; 604/264, 604/272, 115, 1, 2, 19, 3, 309, 73, 540, 232, 604/187, 158, 164.08, 192, 263, 163, 181, 604/184, 198, 227; 600/572, 101, 139, 143; 128/200.24, 207.14, 207.151; 132/317; 401/196

See application file for complete search history.

(56) **References Cited**

U.S. PATENT DOCUMENTS

D377,687 S *	1/1997	Udovch .....	D24/114
D405,882 S *	2/1999	Yale .....	D24/112
D412,206 S *	7/1999	Basile et al. ....	D24/130
D473,305 S *	4/2003	Halseth .....	D24/129
D476,417 S *	6/2003	Swenson et al. ....	D24/130
6,629,962 B2 *	10/2003	Correa et al. ....	604/272

(Continued)

*Primary Examiner* — David Muller

(74) *Attorney, Agent, or Firm* — Fitch, Even, Tabin & Flannery, LLP

(57) **CLAIM**

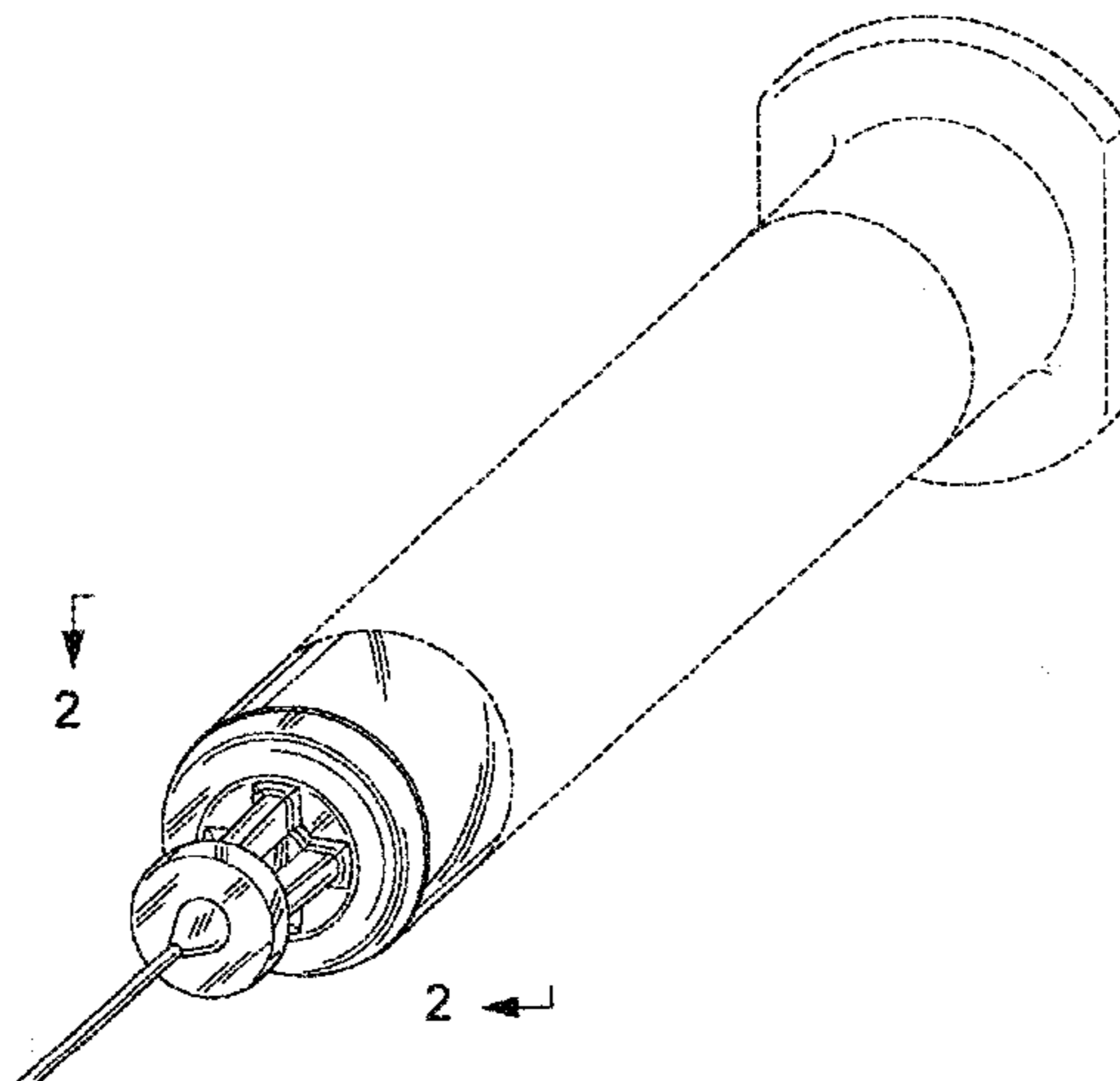
I claim the ornamental design for a portion of a medical syringe with needle, as shown and described.

**DESCRIPTION**

FIG. 1 is a rear, top and right side perspective view of a portion of a medical syringe with needle, showing my new design; FIG. 2 is an enlarged fragmented view thereof, taken along the line 2-2 in FIG. 1; FIG. 3 is a front elevational view thereof; the opposite side being a mirror image thereof; FIG. 4 is a top plan view thereof; FIG. 5 is a bottom plan view thereof; FIG. 6 is a left side elevational view thereof; FIG. 7 is a right side elevational view thereof; FIG. 8 is an enlarged fragmented cross sectional view thereof, taken along the line 8-8 in FIG. 3; FIG. 9 is a cross sectional view thereof, taken along the line 9-9 in FIG. 7; FIG. 10 is a cross sectional view thereof, taken along the line 10-10 in FIG. 7; FIG. 11 is an enlarged fragmented view thereof, taken along the line 11-11 in FIG. 9; and, FIG. 12 is an enlarged fragmented view thereof, taken along the line 12-12 in FIG. 10.

The dash and dotted lines immediately adjacent the shaded areas represent the bounds of the claimed design while all other broken lines are directed to environment only; the broken lines form no part of the claimed design.

**1 Claim, 10 Drawing Sheets**



(56)

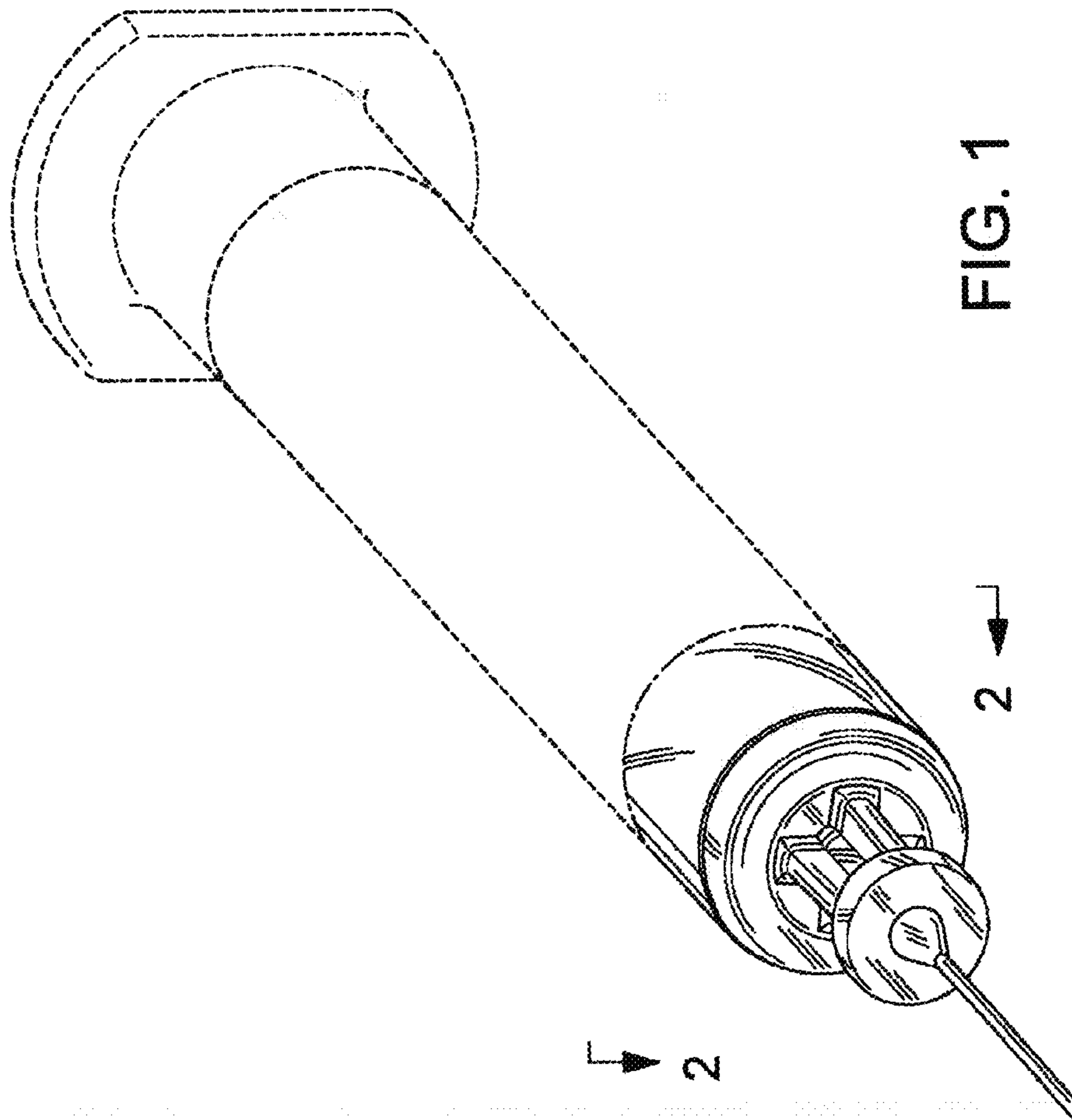
**References Cited**

U.S. PATENT DOCUMENTS

D487,149 S \* 2/2004 Farris ..... D24/130  
D492,404 S \* 6/2004 Prais et al. .... D24/112  
D558,340 S \* 12/2007 Hochman et al. .... D24/130

7,418,880 B1 \* 9/2008 Smith ..... 73/864.01  
D585,983 S \* 2/2009 Wang ..... D24/114  
D588,693 S \* 3/2009 Strong et al. .... D24/129  
D635,249 S \* 3/2011 Becker ..... D24/114

\* cited by examiner



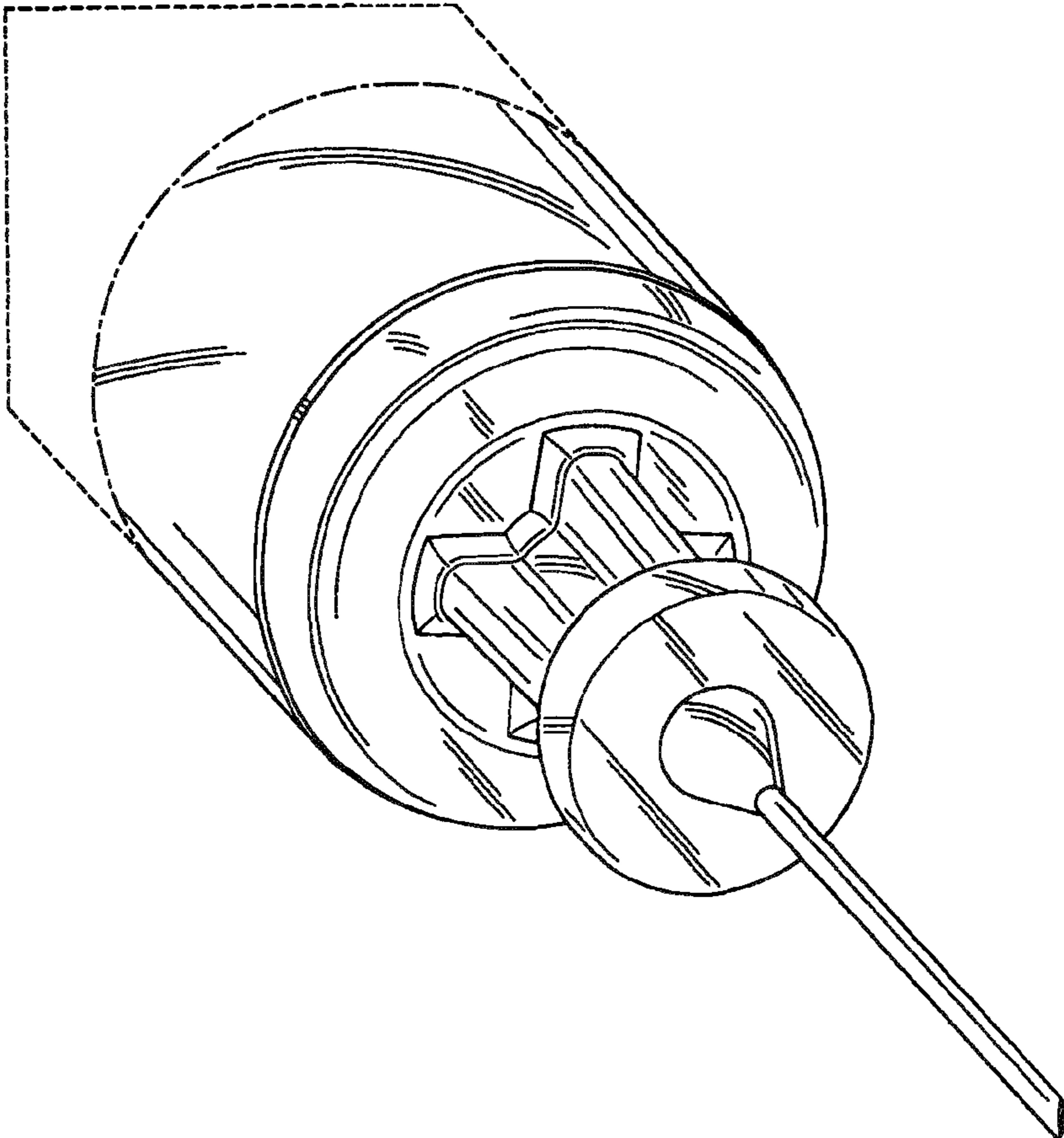


FIG. 2

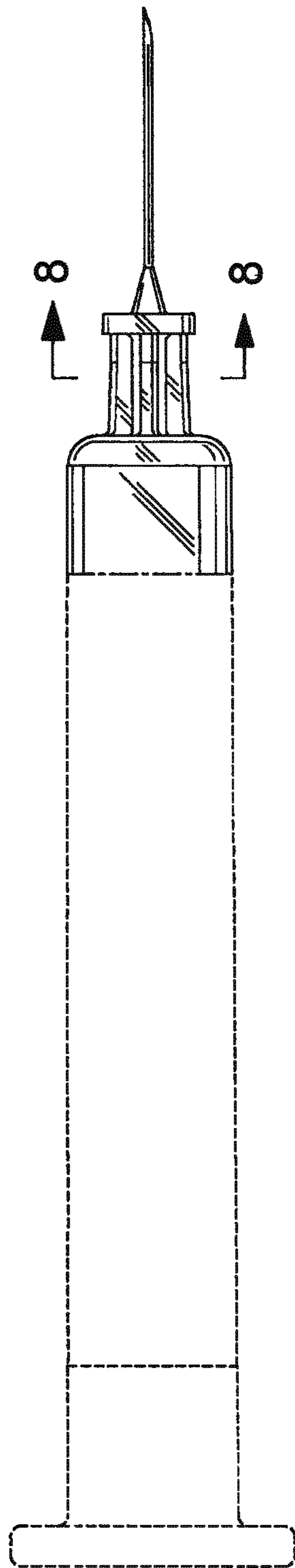


FIG. 3

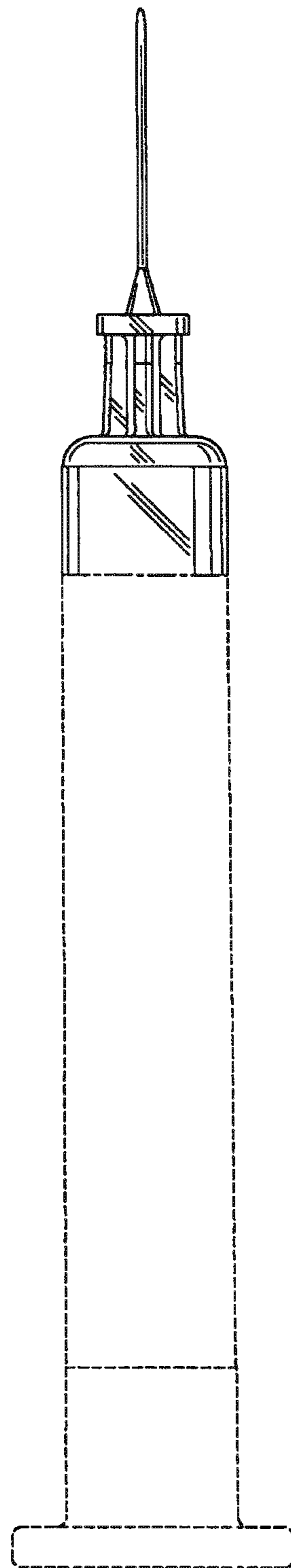


FIG. 4

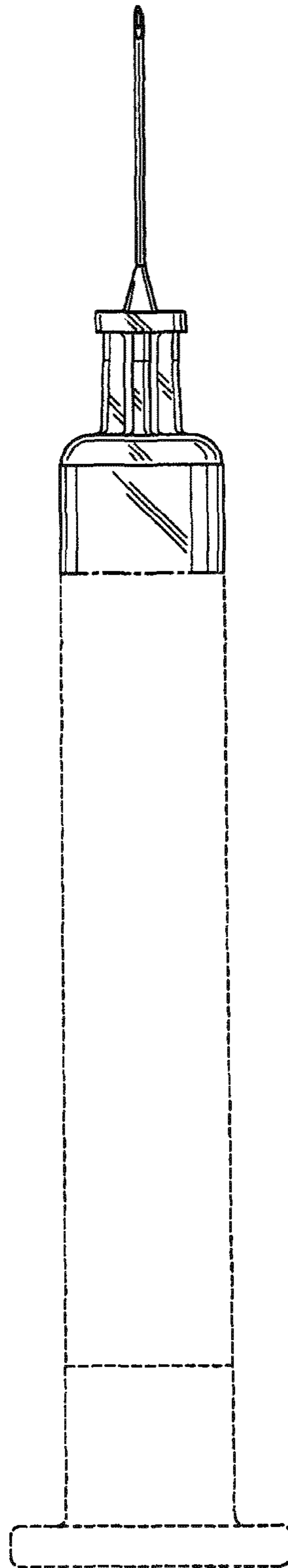


FIG. 5



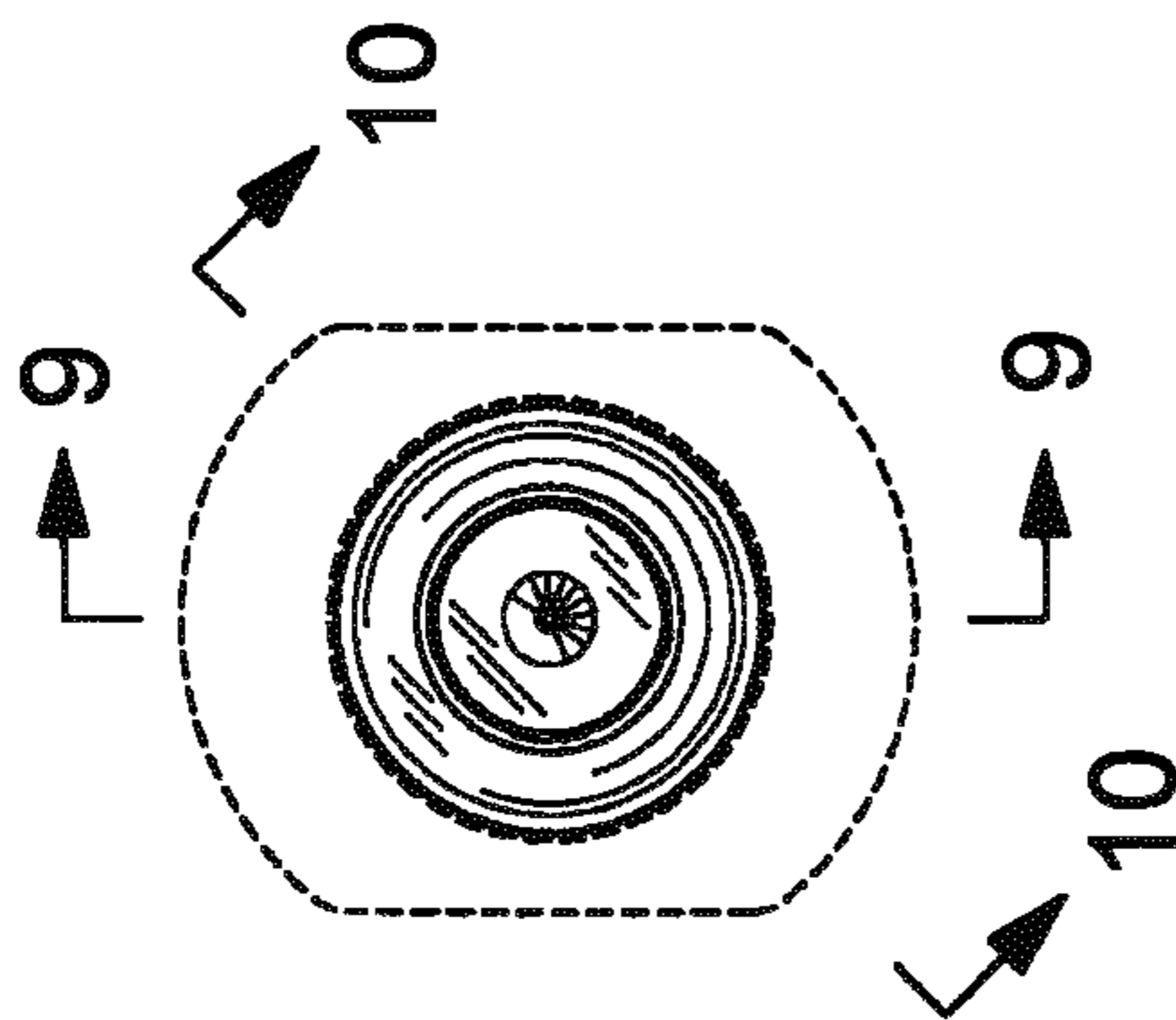


FIG. 7

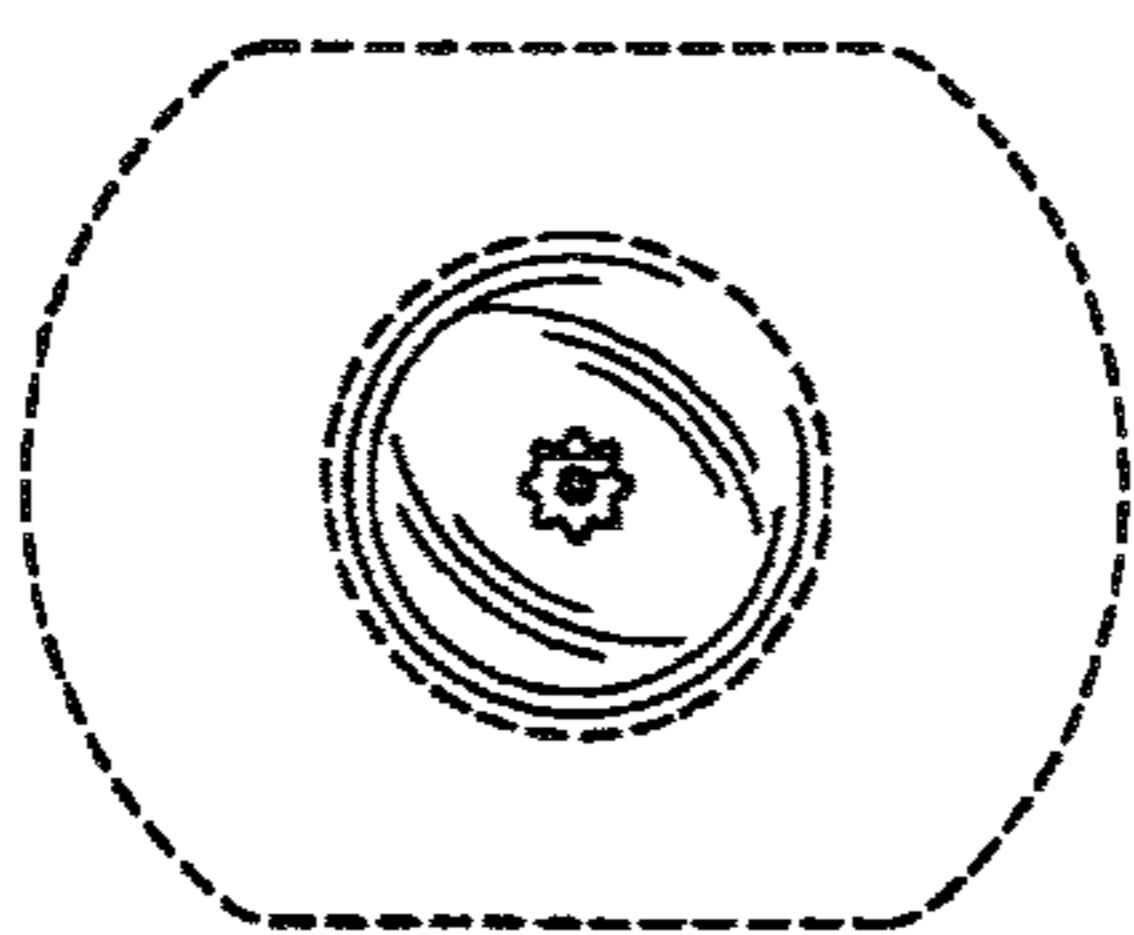


FIG. 6

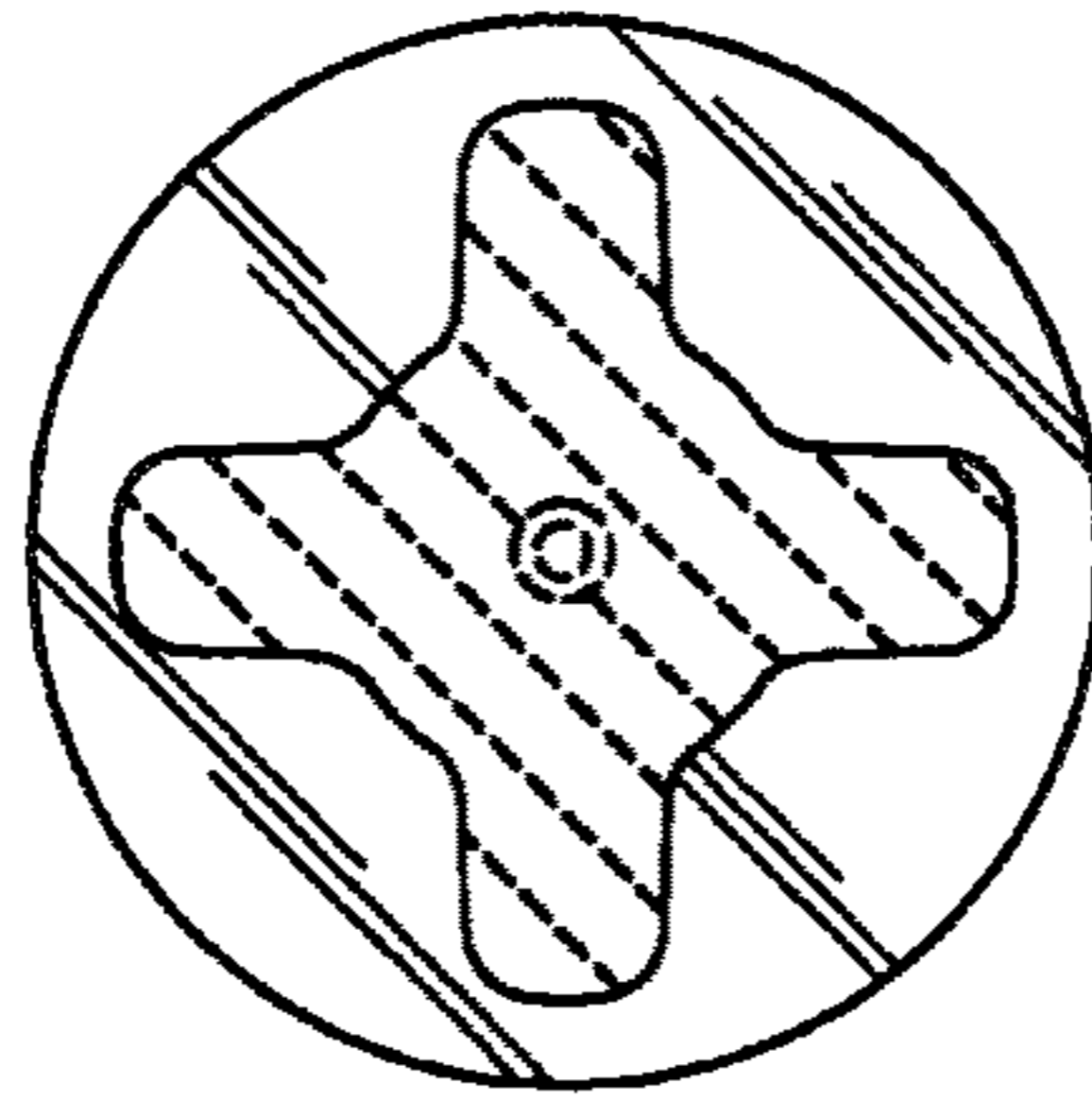


FIG. 8



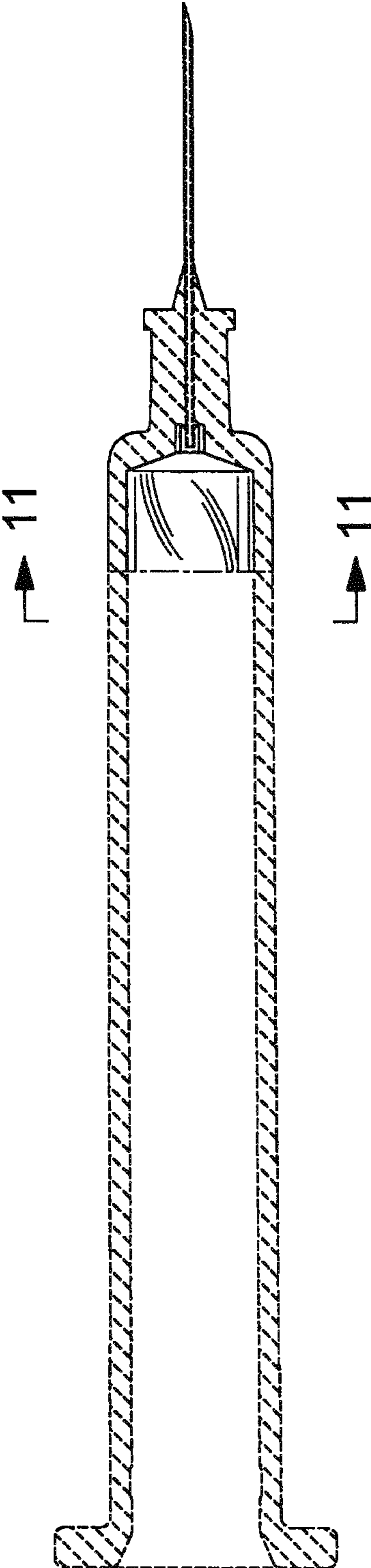


FIG. 9

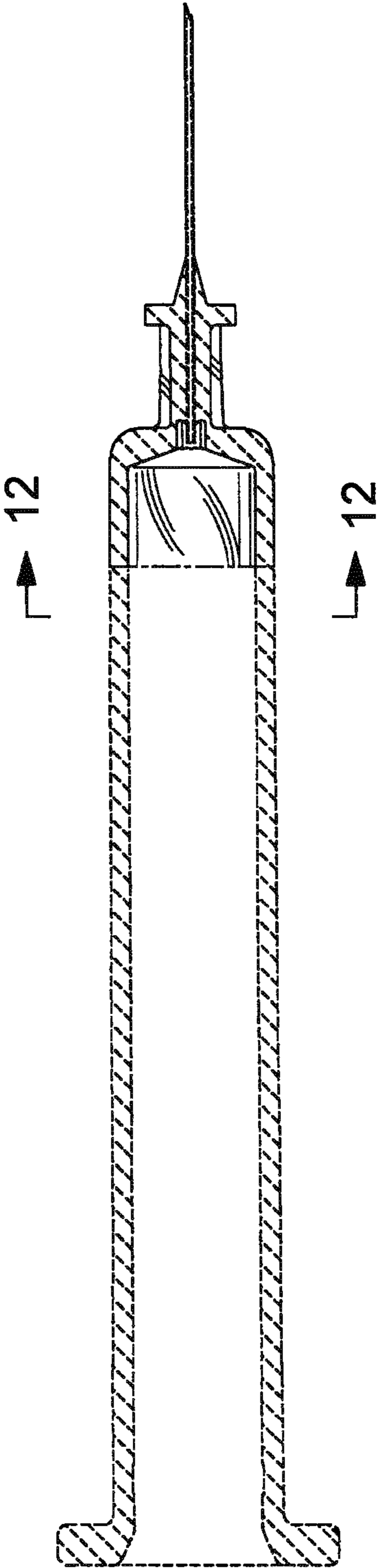


FIG. 10

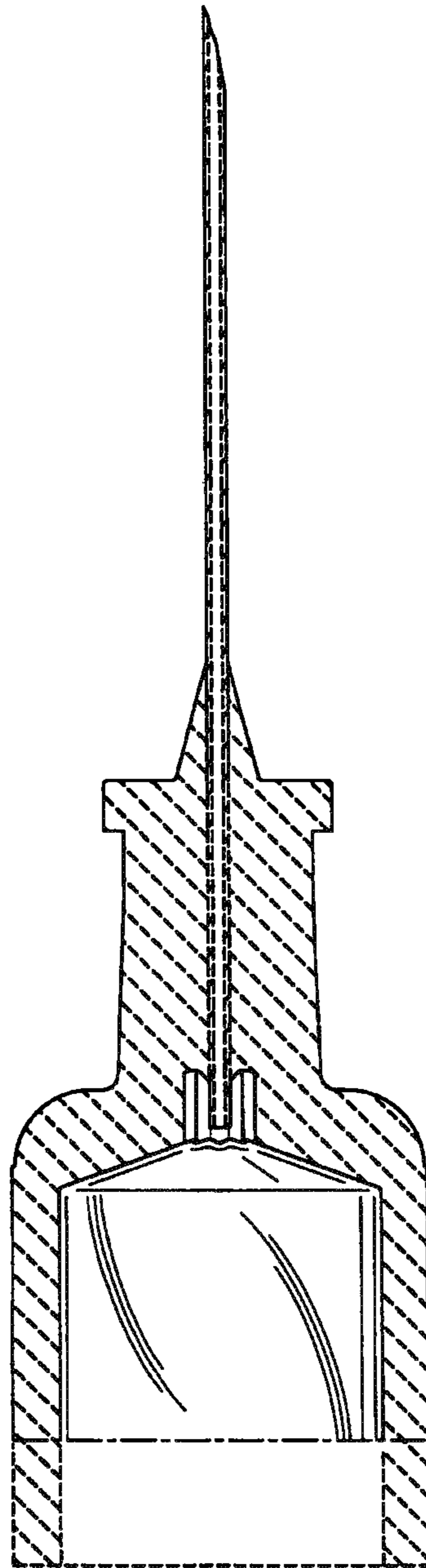


FIG. 11

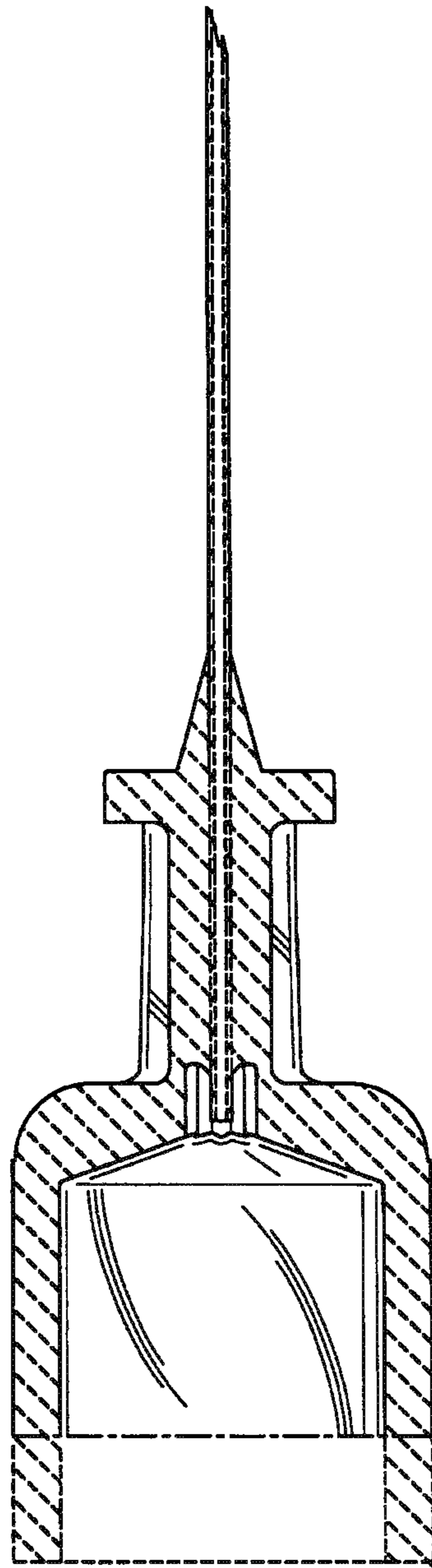


FIG. 12