



US00D712027S

(12) **United States Design Patent**  
**Zerwic et al.**

(10) **Patent No.:** **US D712,027 S**

(45) **Date of Patent:** **\*\* Aug. 26, 2014**

(54) **Y-CONNECTOR**

(75) Inventors: **Ned Mitchell Zerwic**, Glenview, IL  
(US); **John Henry Kutsch**, Harvard, IL  
(US)

(73) Assignee: **Medline Industries, Inc.**, Mundelein, IL  
(US)

(\*\*) Term: **14 Years**

(21) Appl. No.: **29/422,038**

(22) Filed: **May 16, 2012**

(51) **LOC (10) Cl.** ..... **24-01**

(52) **U.S. Cl.**  
USPC ..... **D24/129**

(58) **Field of Classification Search**  
USPC ..... 605/533, 243, 539, 93.1, 246, 523, 284;  
285/309, 31, 125.1, 132.2; D24/129,  
D24/112, 128; 403/64  
See application file for complete search history.

6,287,280 B1 \* 9/2001 Lampropoulos  
et al. .... 604/167.03  
D448,848 S \* 10/2001 Clark et al. .... D24/129  
6,332,467 B1 12/2001 Hutson et al.  
D492,030 S \* 6/2004 Rani ..... D24/129  
D506,828 S \* 6/2005 Layne et al. .... D24/129  
D561,329 S \* 2/2008 McMichael et al. .... D24/108  
7,628,775 B2 \* 12/2009 Adams et al. .... 604/284  
2005/0070878 A1 \* 3/2005 Triplett et al. .... 604/523  
2008/0183153 A1 \* 7/2008 Enns ..... 604/533  
2008/0319389 A1 \* 12/2008 Davis-Lemessy  
et al. .... 604/103.06  
2009/0326481 A1 \* 12/2009 Swisher et al. .... 604/246

\* cited by examiner

*Primary Examiner* — Deanna L Pratt

*Assistant Examiner* — Ieisha Price

(74) *Attorney, Agent, or Firm* — David Noskowicz; Philip H.  
Burrus, IV

(57) **CLAIM**

The ornamental design for a Y-connector, as shown and  
described.

(56) **References Cited**

U.S. PATENT DOCUMENTS

3,602,228 A \* 8/1971 Cowley ..... 604/103  
3,741,217 A \* 6/1973 Ciarico ..... 604/256  
3,873,391 A \* 3/1975 Plauka et al. .... 156/258  
4,668,225 A \* 5/1987 Russo et al. .... 604/270  
4,790,832 A 12/1988 Lopez  
4,895,562 A 1/1990 Lopez  
D308,576 S \* 6/1990 Iversen ..... D24/129  
5,125,915 A \* 6/1992 Berry et al. .... 604/533  
D360,030 S \* 7/1995 Michels et al. .... D24/112  
5,632,735 A \* 5/1997 Wyatt et al. .... 604/539

**DESCRIPTION**

FIG. 1 is a first perspective view of a Y-connector showing our  
new design;

FIG. 2 is a second perspective view of the Y-connector;

FIG. 3 is third perspective view of the Y-connector;

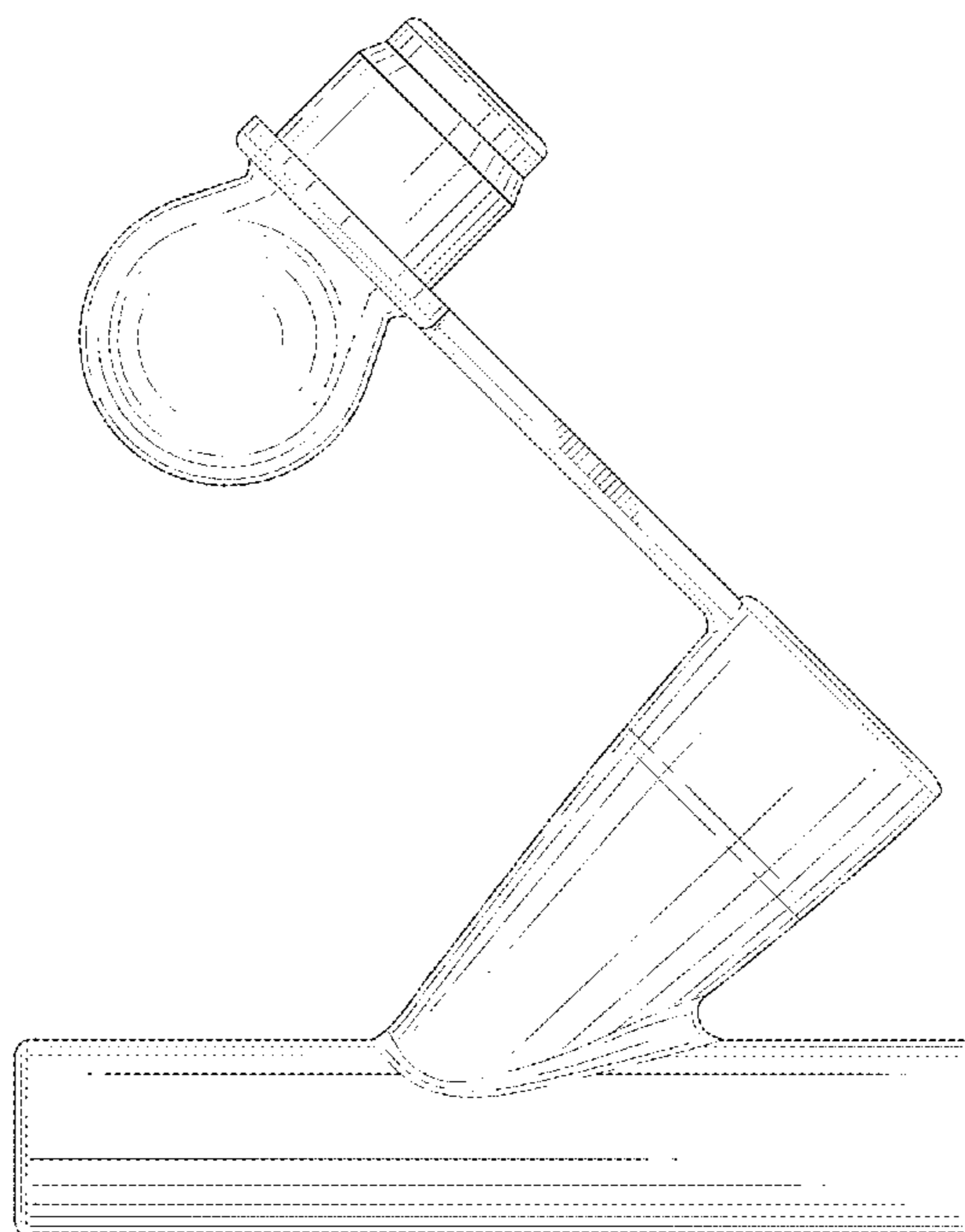
FIG. 4 is a front elevation view of the Y-connector;

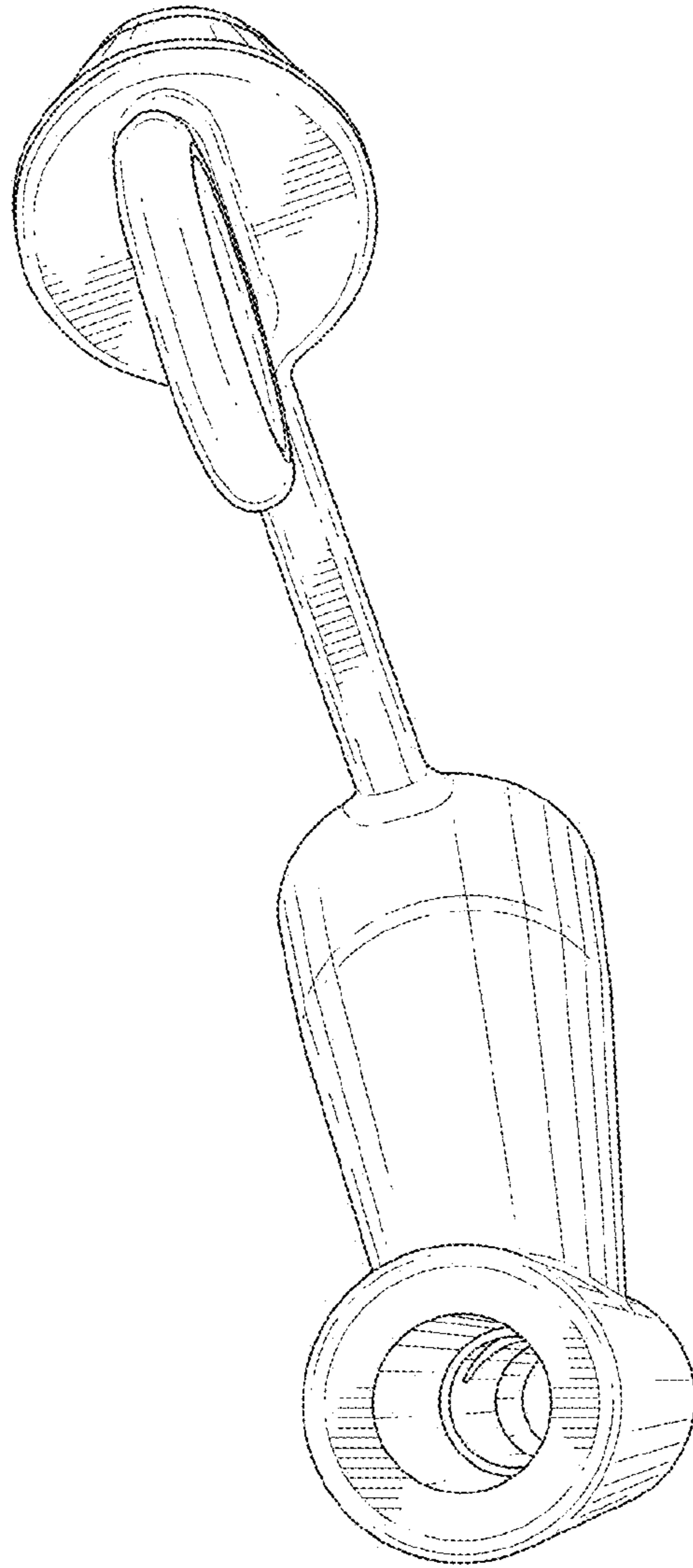
FIG. 5 is a rear elevation view of the Y-connector;

FIG. 6 is a right elevation view of the Y-connector; and,

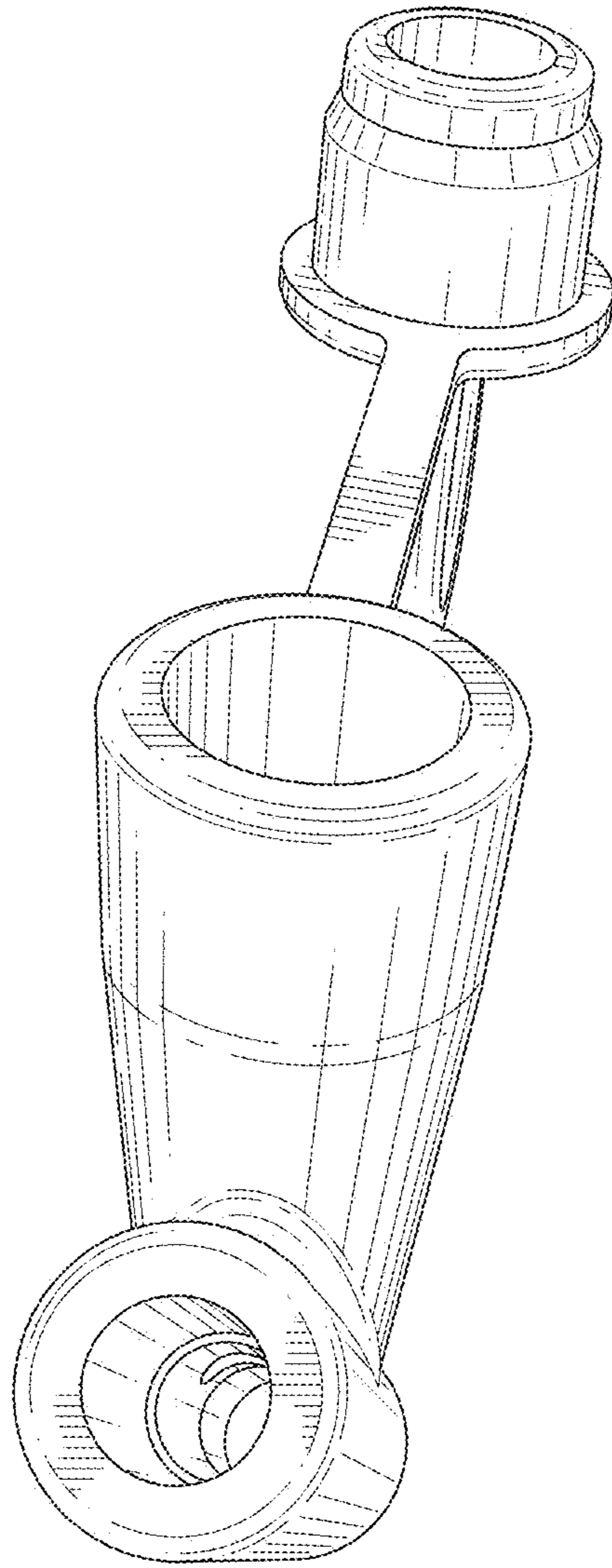
FIG. 7 is a left elevation view of the Y-connector.

**1 Claim, 6 Drawing Sheets**

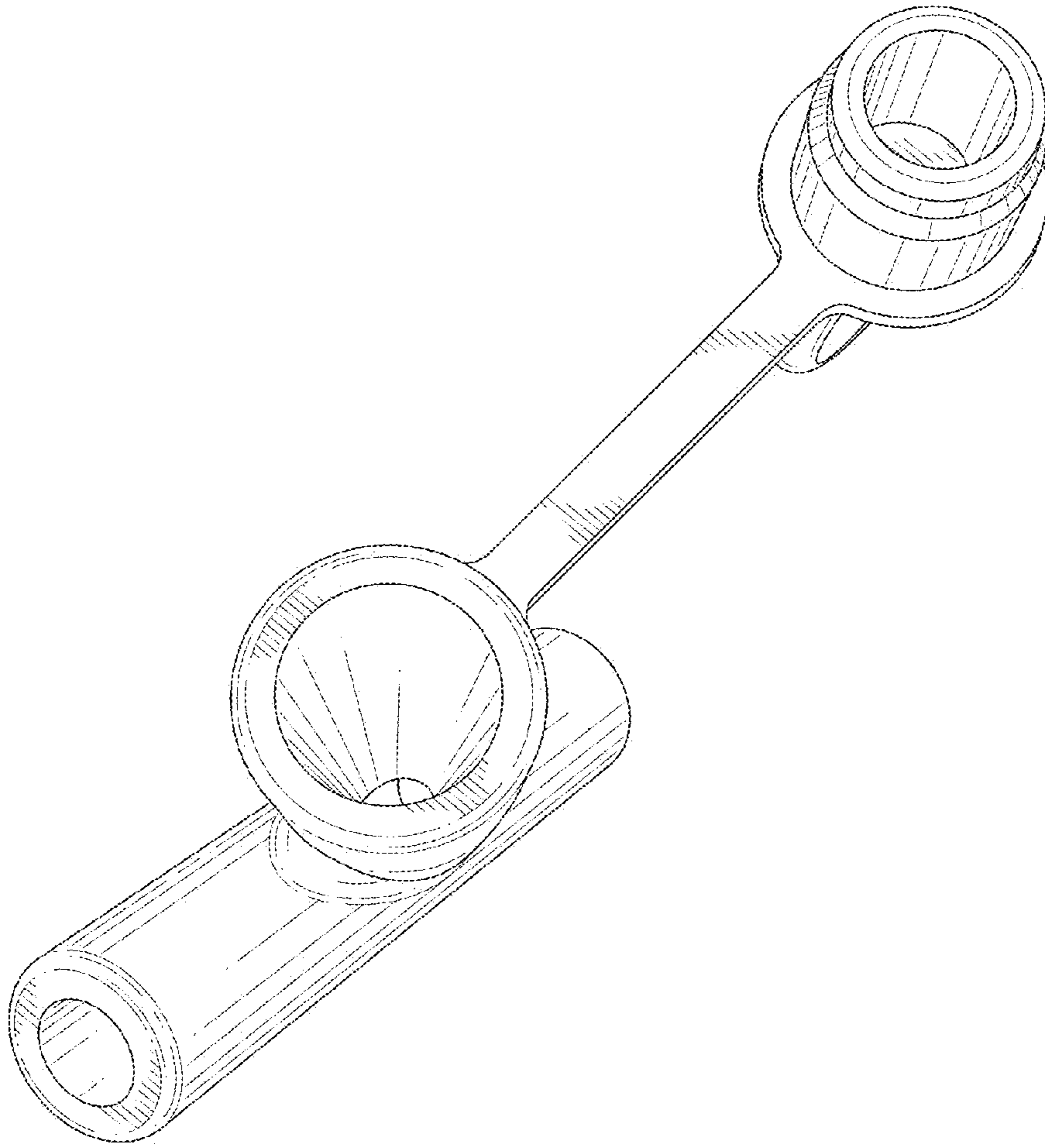




***FIG. 1***

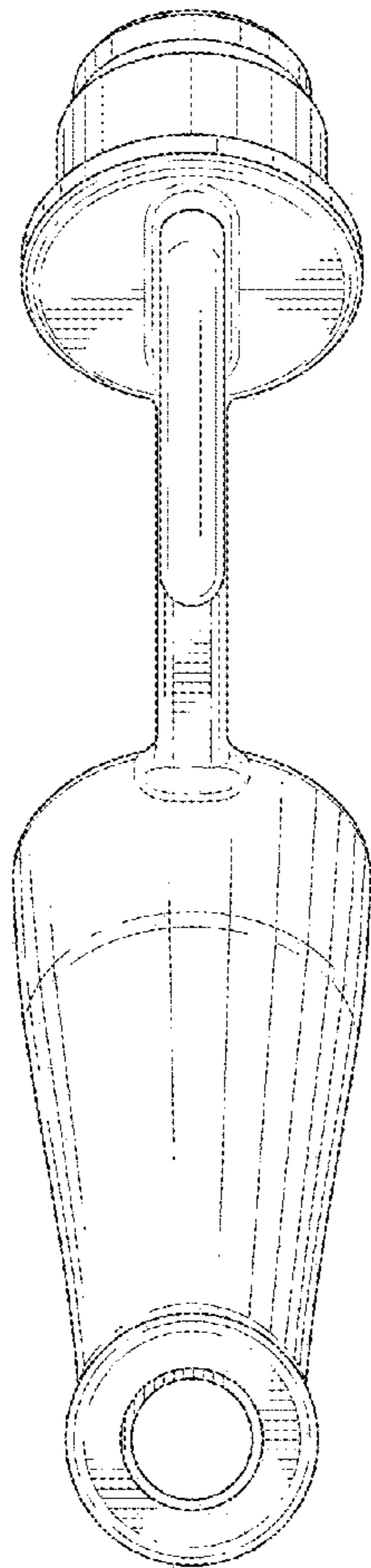


***FIG. 2***

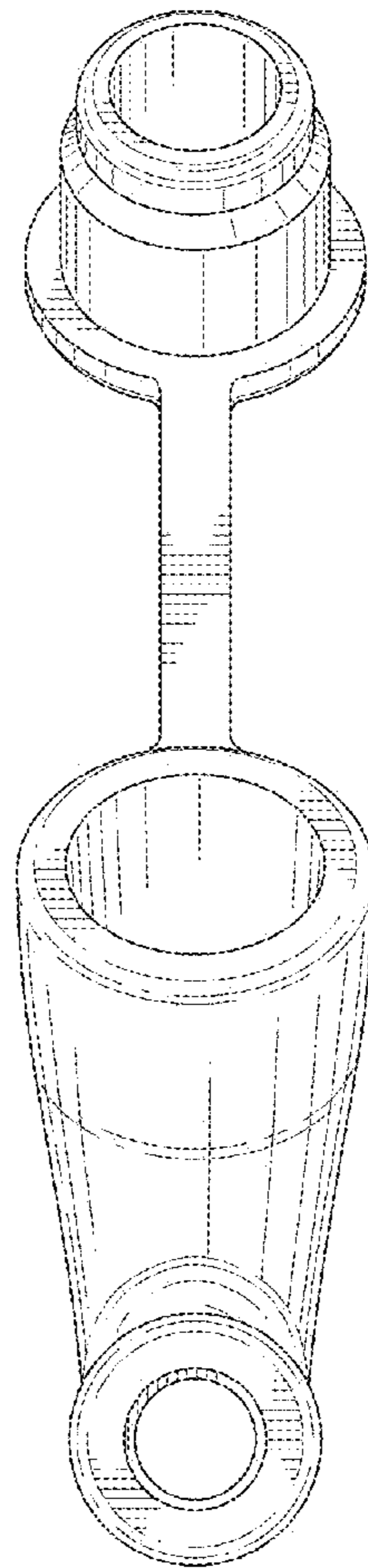


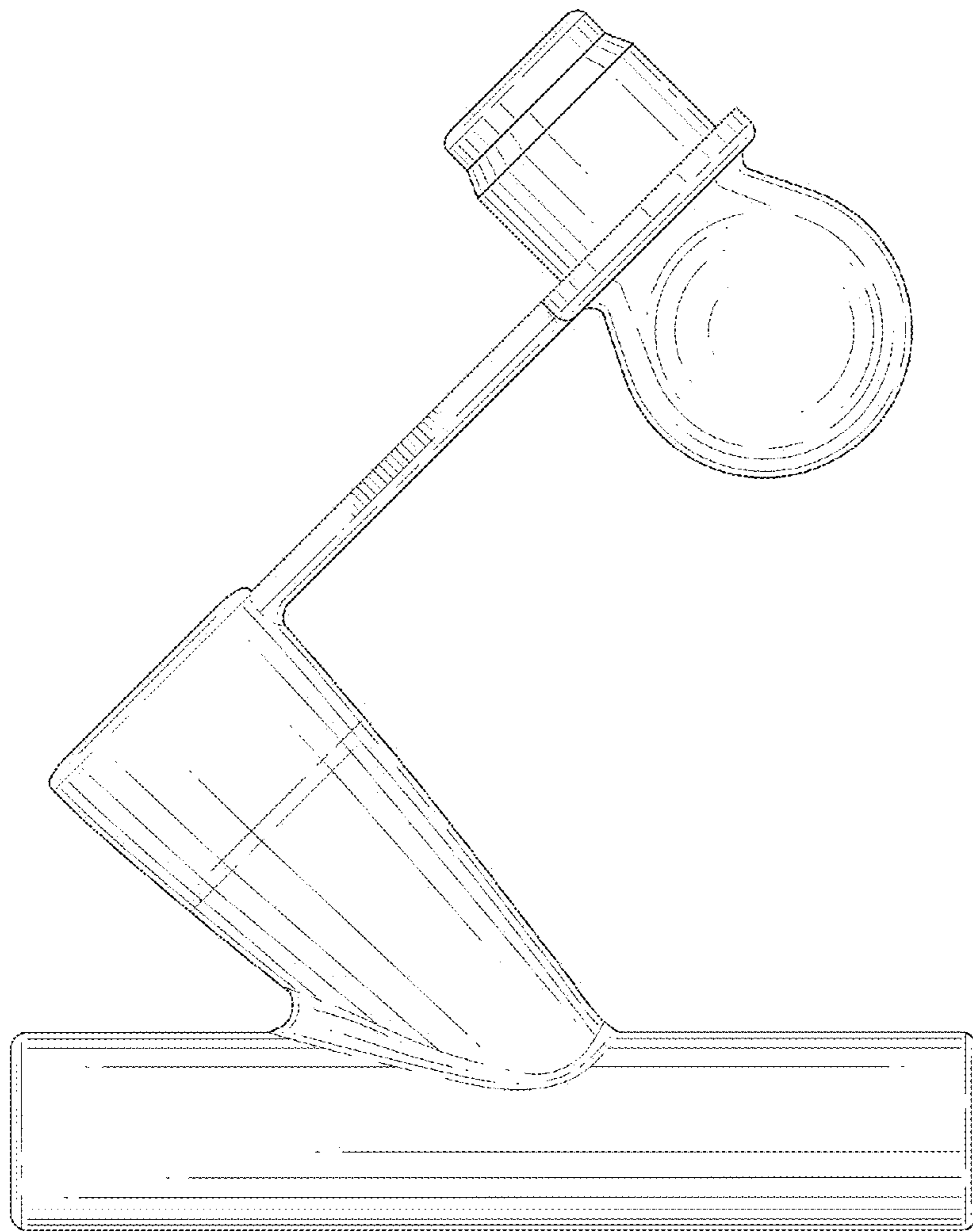
***FIG. 3***

***FIG. 4***

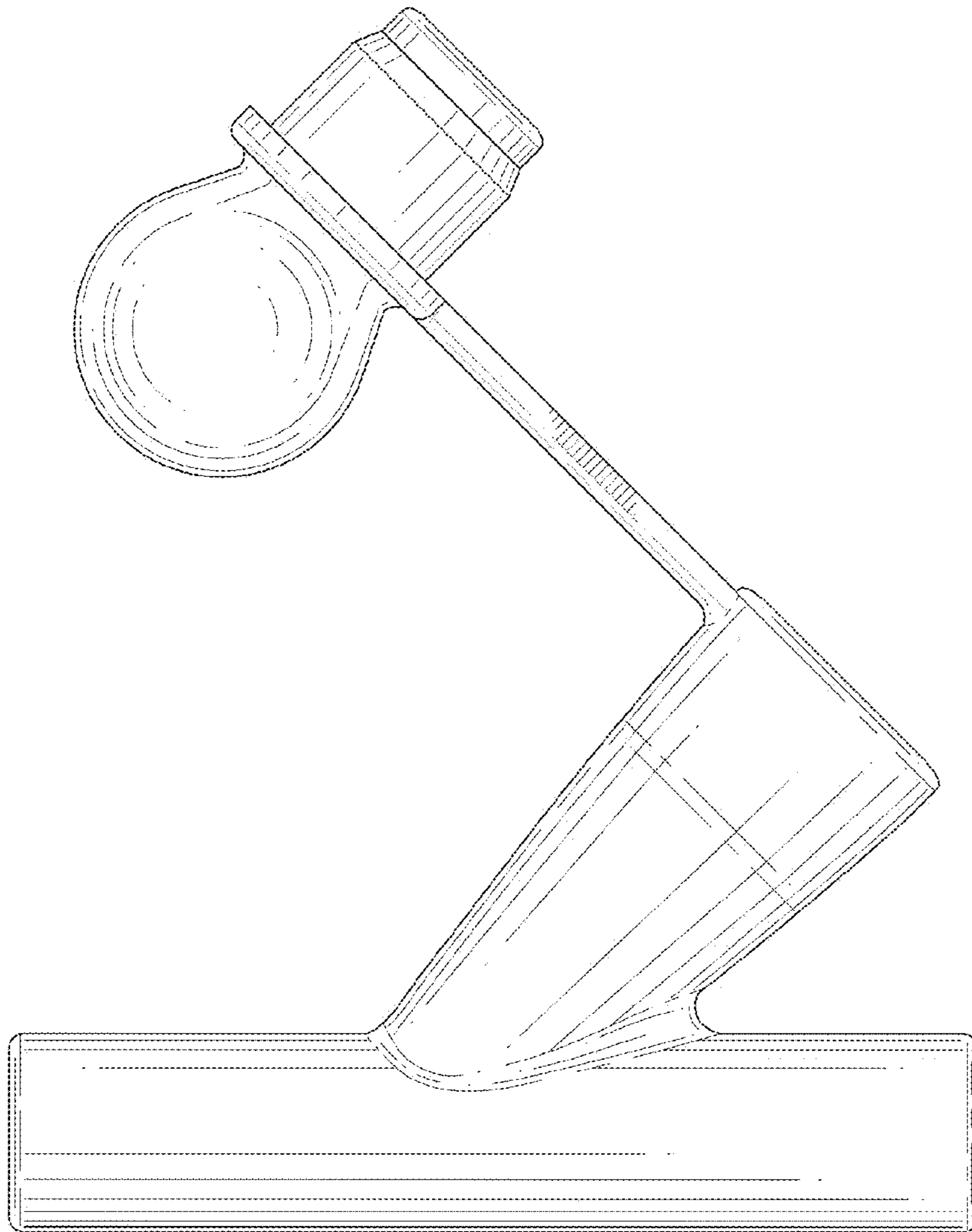


***FIG. 5***





***FIG. 6***



**FIG. 7**