



US00D712025S

(12) **United States Design Patent**
Kawamura

(10) **Patent No.:** **US D712,025 S**

(45) **Date of Patent:** **** Aug. 26, 2014**

(54) **SYRINGE BARREL**

(75) Inventor: **Hideaki Kawamura**, Sumida-ku (JP)

(73) Assignee: **Daikyo Seiko, Ltd.**, Sumida-Ku, Tokyo (JP)

(**) Term: **14 Years**

(21) Appl. No.: **29/395,274**

(22) Filed: **Dec. 27, 2011**

(30) **Foreign Application Priority Data**

Jun. 28, 2011 (JP) 2011-014636

(51) **LOC (10) Cl.** **24-02**

(52) **U.S. Cl.**
USPC **D24/112**

(58) **Field of Classification Search**
USPC D24/112-114, 133, 130, 127; 606/181, 606/185; 604/232, 187, 158, 164.08, 192, 604/263, 163, 181, 184, 198, 227, 264, 122
See application file for complete search history.

(56) **References Cited**

U.S. PATENT DOCUMENTS

4,568,336	A *	2/1986	Cooper	604/232
6,020,196	A *	2/2000	Hu et al.	604/19
6,123,687	A *	9/2000	Simonyi et al.	604/207
6,800,067	B2 *	10/2004	Lee	604/110
D584,407	S *	1/2009	Kawamura	D24/130
D585,134	S *	1/2009	Melinyshyn	D24/130
7,722,579	B2 *	5/2010	Collins et al.	604/264
D635,666	S *	4/2011	Kawamura	D24/130
RE43,142	E *	1/2012	Jepson et al.	604/256
8,105,314	B2 *	1/2012	Fangrow, Jr.	604/533
D663,415	S *	7/2012	Tamura et al.	D24/130
D665,904	S *	8/2012	Horita et al.	D24/130
2005/0209555	A1 *	9/2005	Middleton et al.	604/82

* cited by examiner

Primary Examiner — David Muller

(74) *Attorney, Agent, or Firm* — Taft Stettinius & Hollister LLP

(57) **CLAIM**

The ornamental design for a syringe barrel, as shown and described.

DESCRIPTION

FIG. 1 is a front elevational view of the syringe barrel showing my new design;
 FIG. 2 is a top plan view thereof;
 FIG. 3 is a right side elevational view thereof;
 FIG. 4 is a left side elevational view thereof;
 FIG. 5 is a sectional view thereof taken along line 5-5 of FIG. 3;
 FIG. 6 is a perspective view thereof;
 FIG. 7 is a perspective view thereof, with parts separated;
 FIG. 8 is a front elevational view thereof, with container part removed;
 FIG. 9 is a top plan view thereof, with container part removed;
 FIG. 10 is a right side elevational view thereof, with container part removed;
 FIG. 11 is a left side elevational view thereof, with container part removed;
 FIG. 12 is a sectional view thereof with container part removed, taken along line 12-12 of FIG. 10;
 FIG. 13 is a perspective view thereof, with container part removed;
 FIG. 14 is a front elevational view of the container part thereof;
 FIG. 15 is a top plan view of the container part thereof;
 FIG. 16 is a right side elevational view of the container part thereof;
 FIG. 17 is a left side elevational view of the container part thereof;
 FIG. 18 is a sectional view of the container part thereof taken along line 18-18 of FIG. 16;
 FIG. 19 is a perspective view of the container part thereof; and,
 FIG. 20 is a perspective view thereof.
 The broken lines are for the purpose of illustrating environmental structure only and form no part of the claimed design.

1 Claim, 20 Drawing Sheets

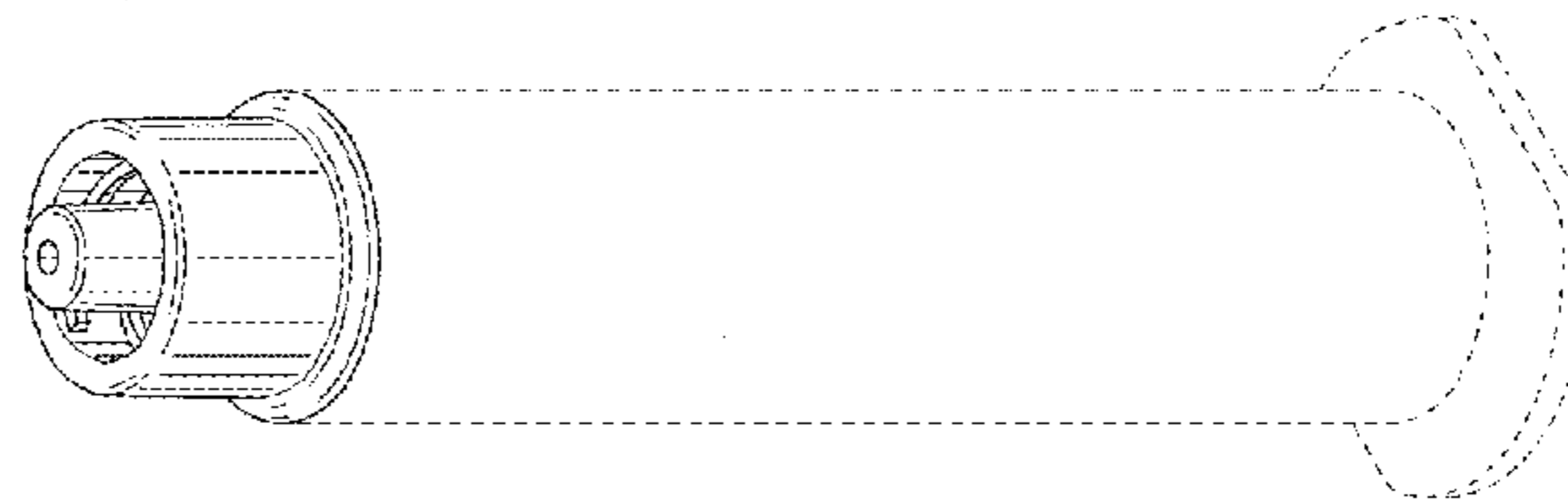
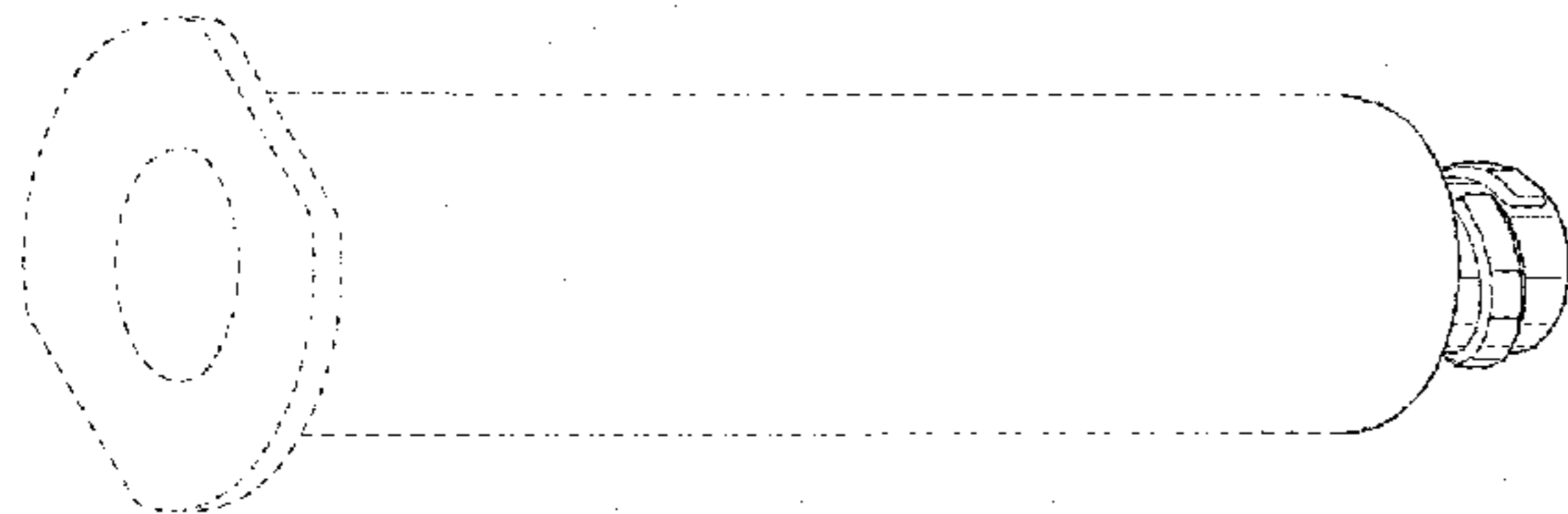


FIG. 1

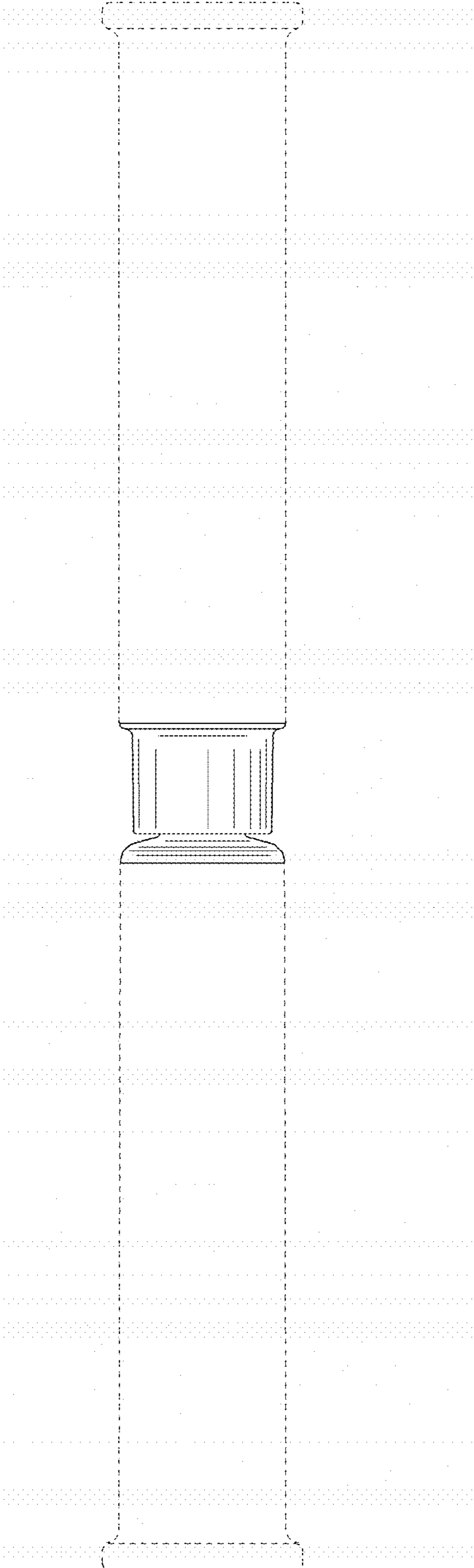


FIG. 2

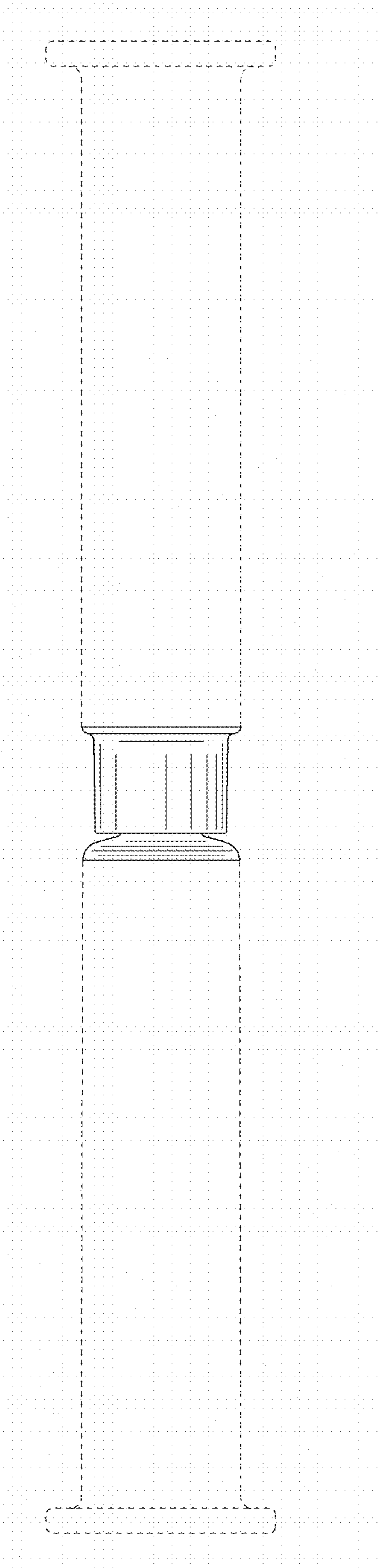


FIG. 3

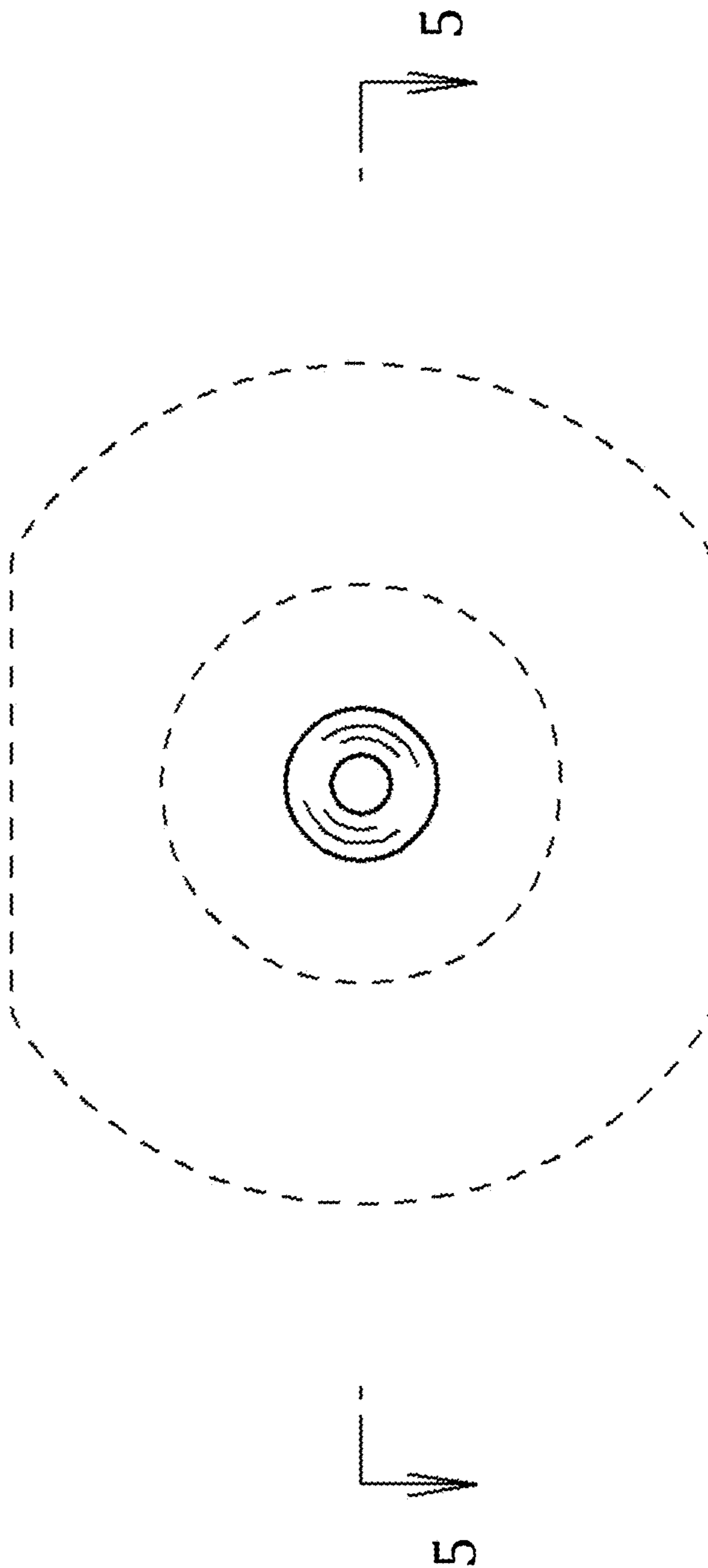


FIG. 4

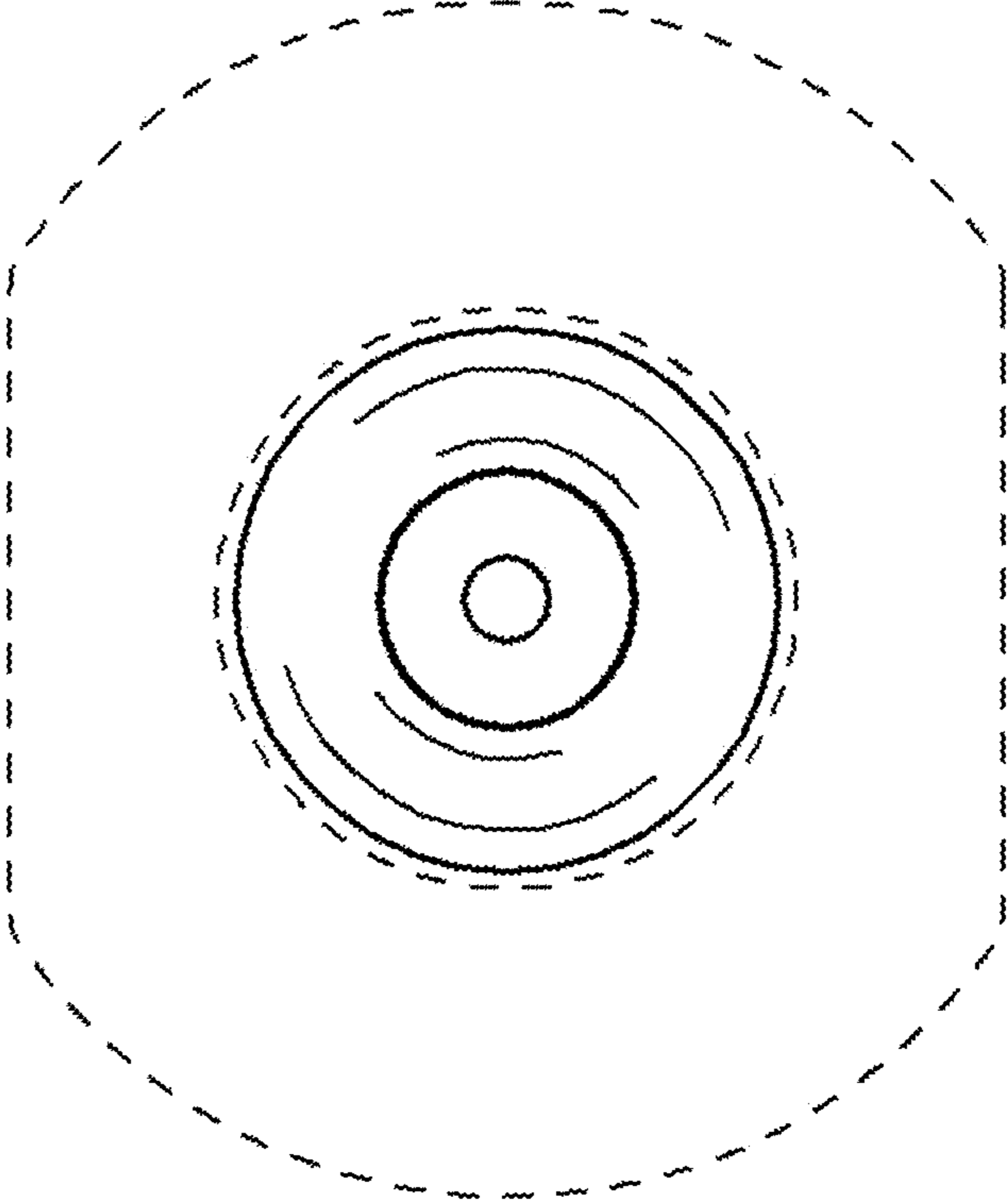


FIG. 5

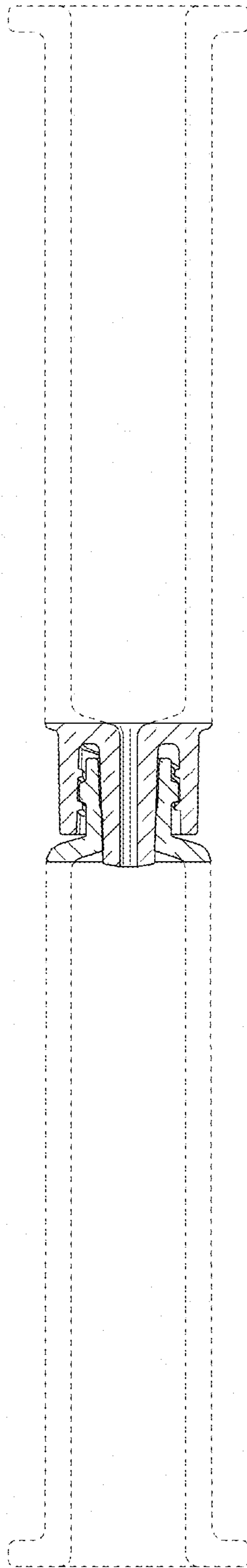


FIG. 6

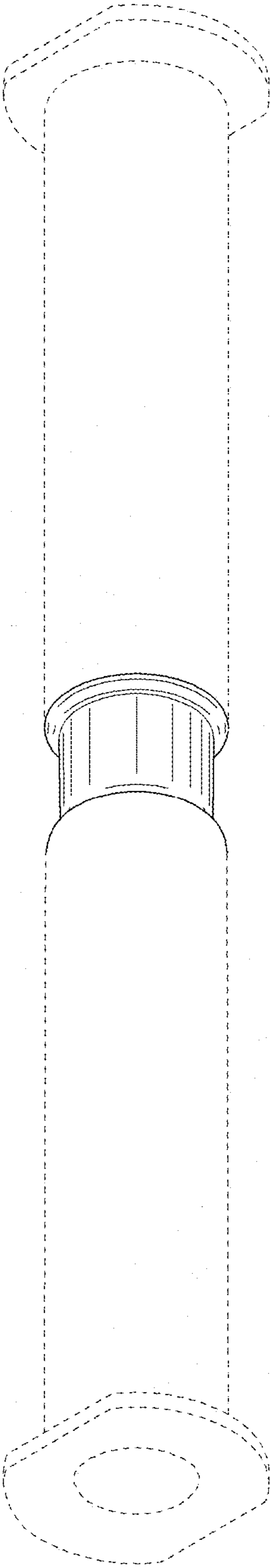


FIG. 7

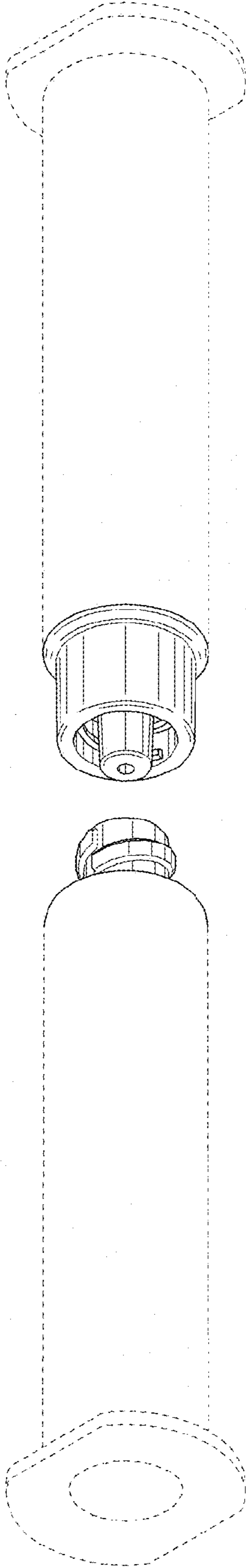


FIG. 8

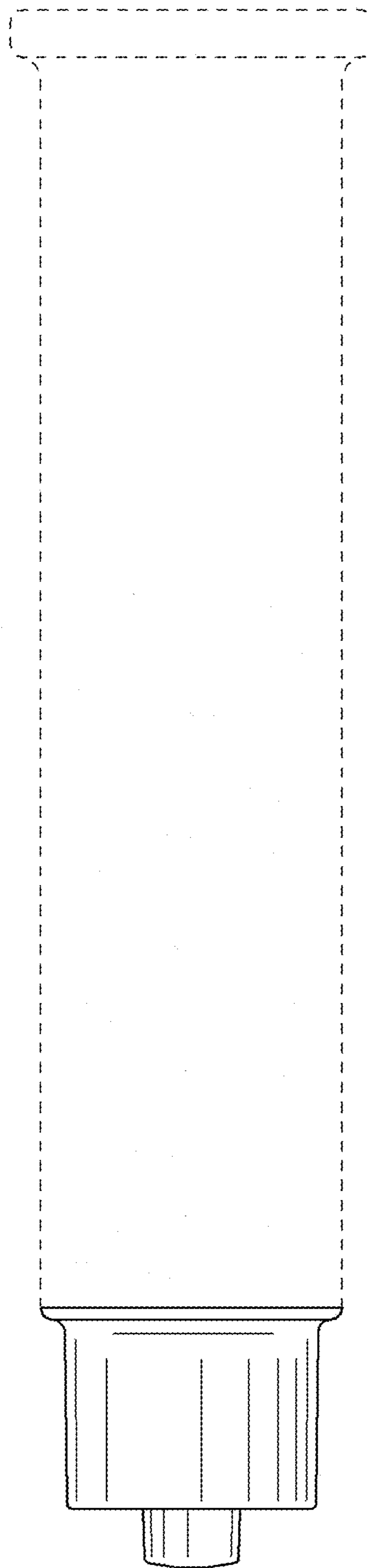


FIG. 9

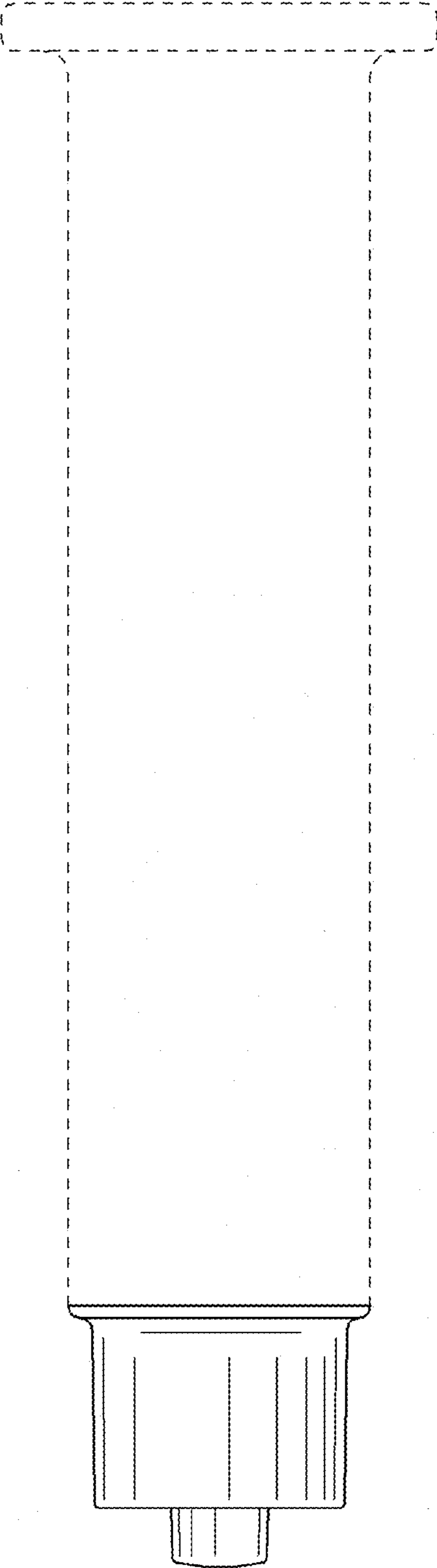


FIG. 10

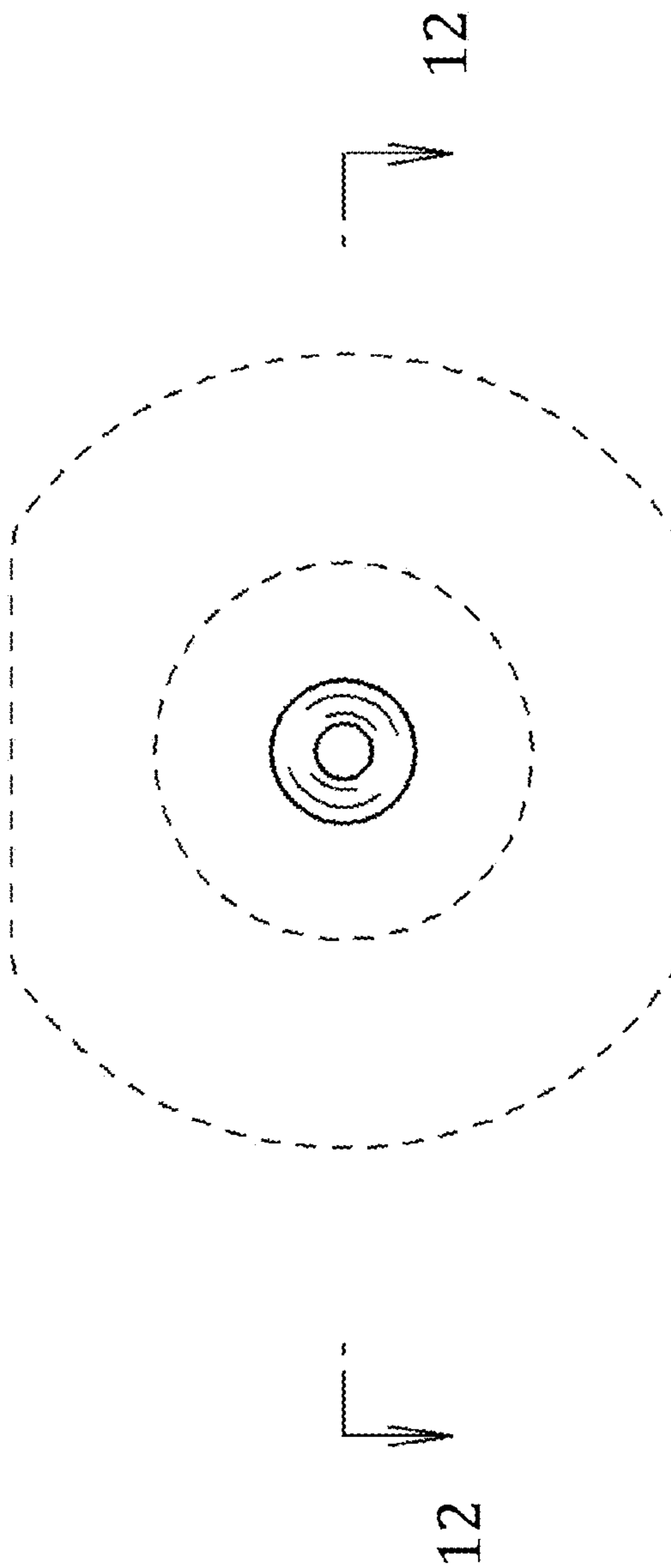


FIG. 11

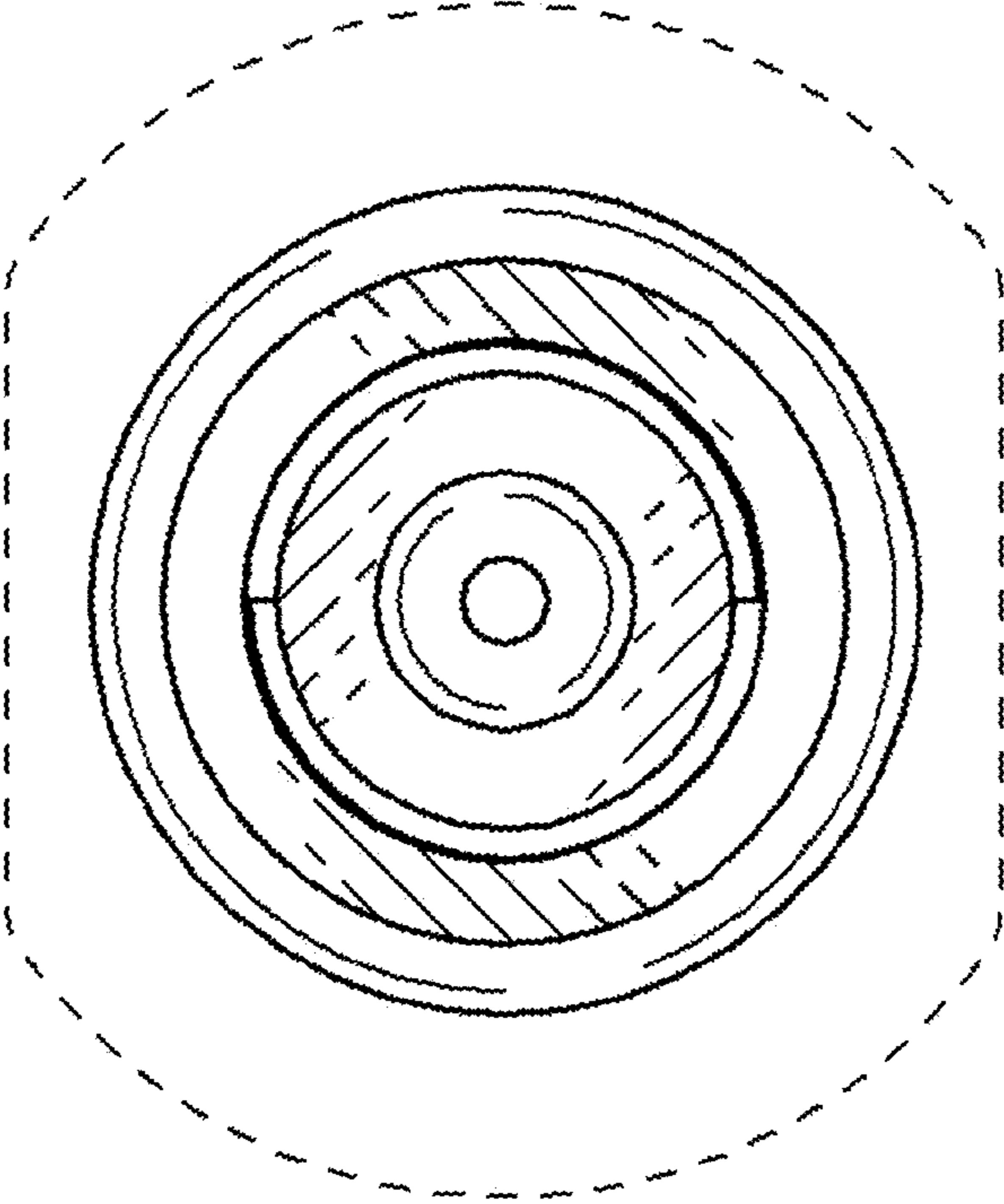


FIG. 12

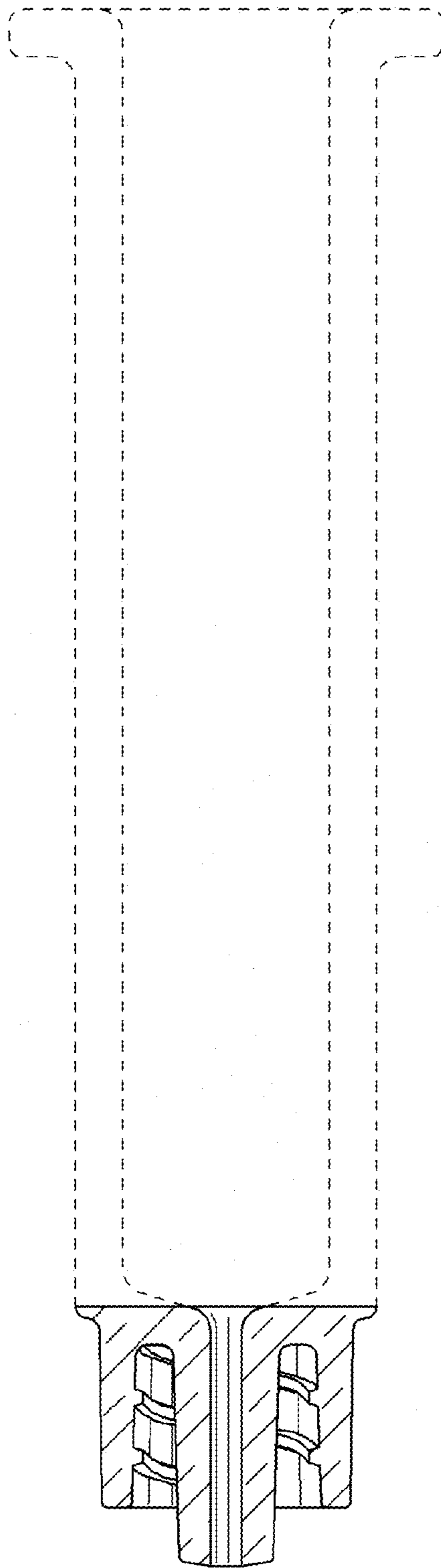


FIG. 13

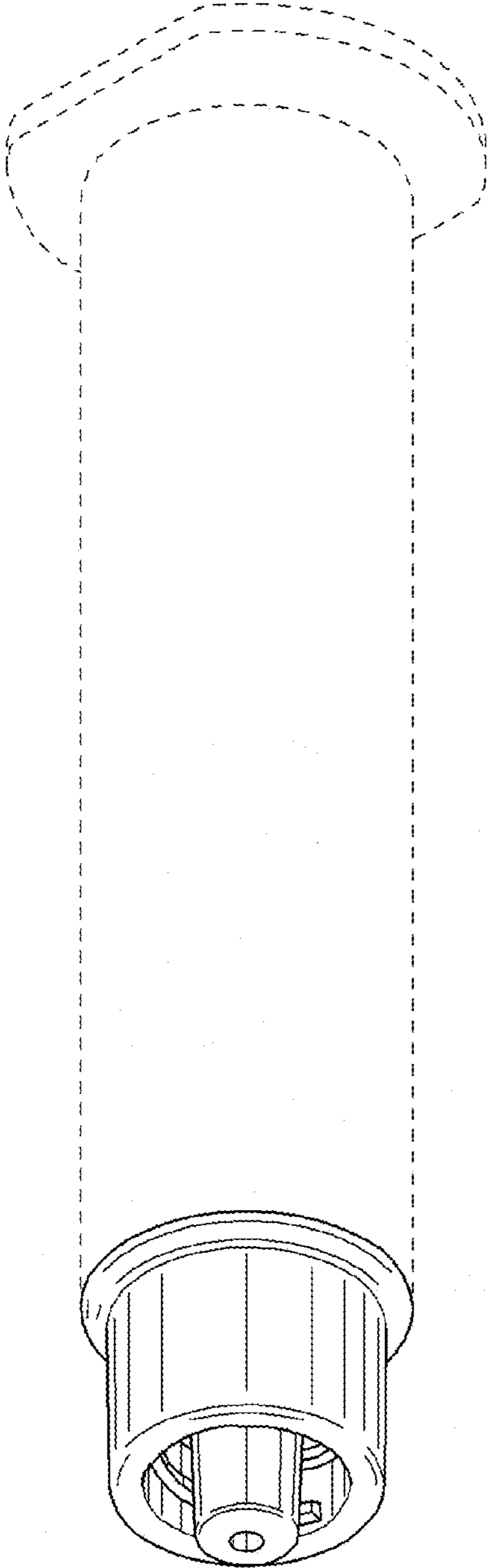


FIG. 14

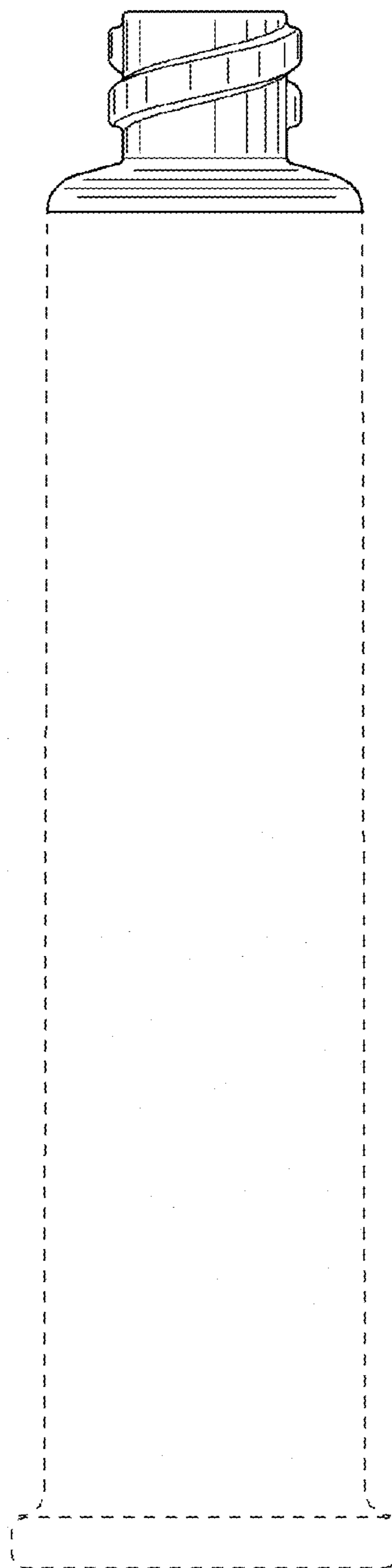


FIG. 15

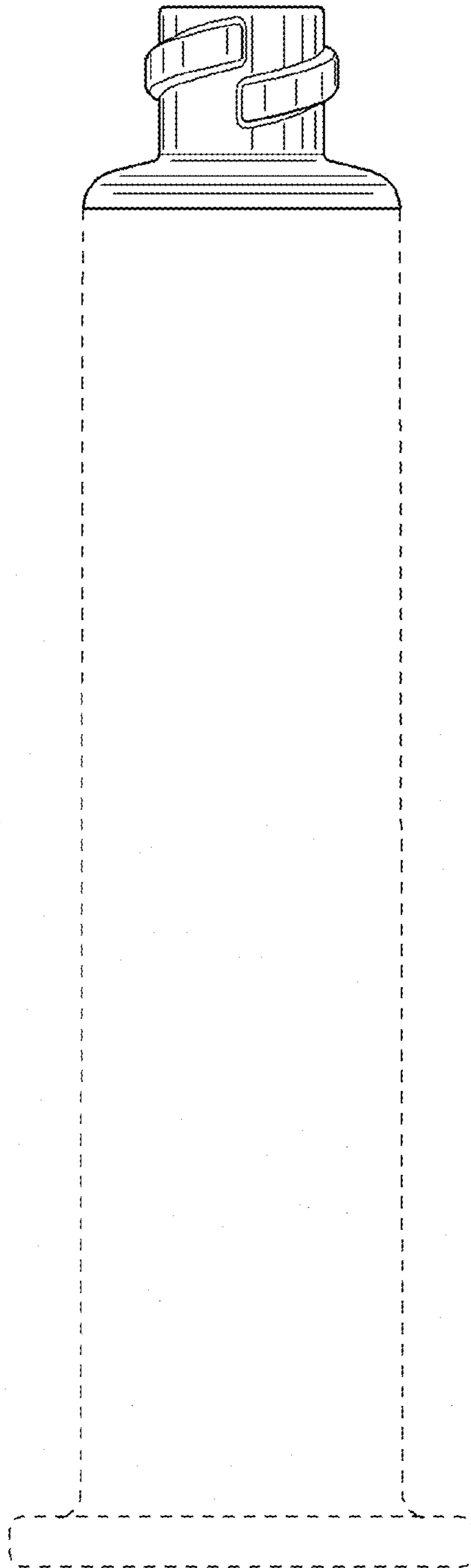


FIG. 16

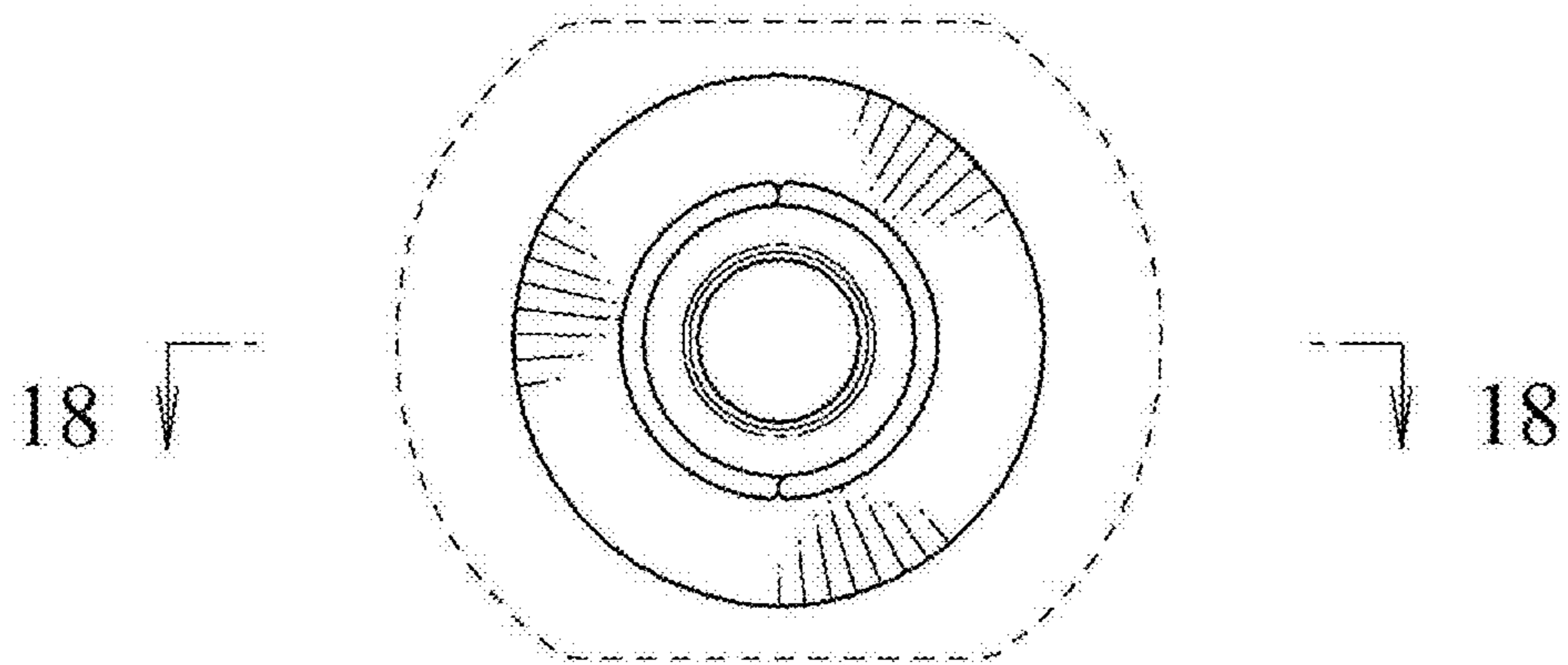


FIG. 17

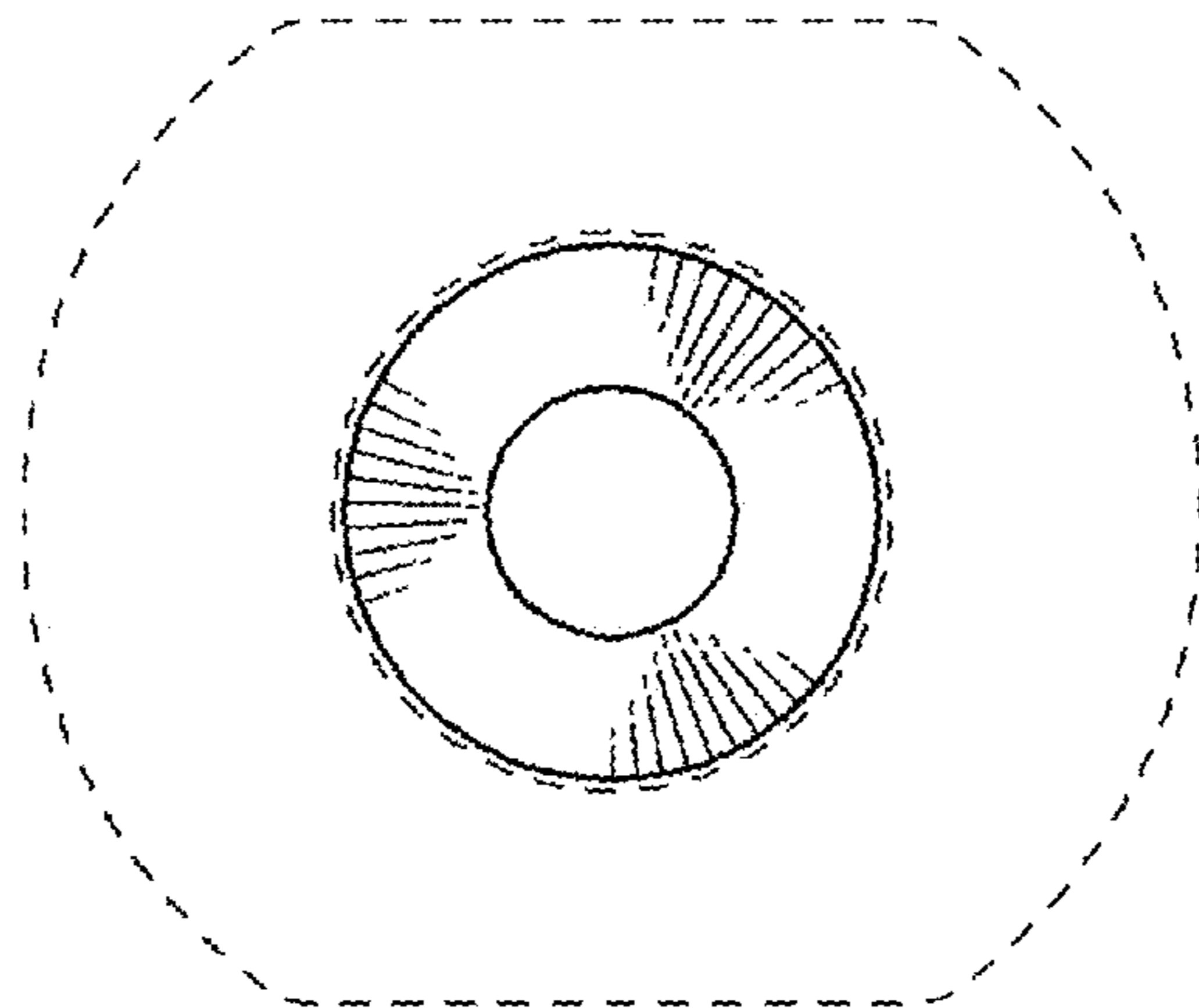


FIG. 18

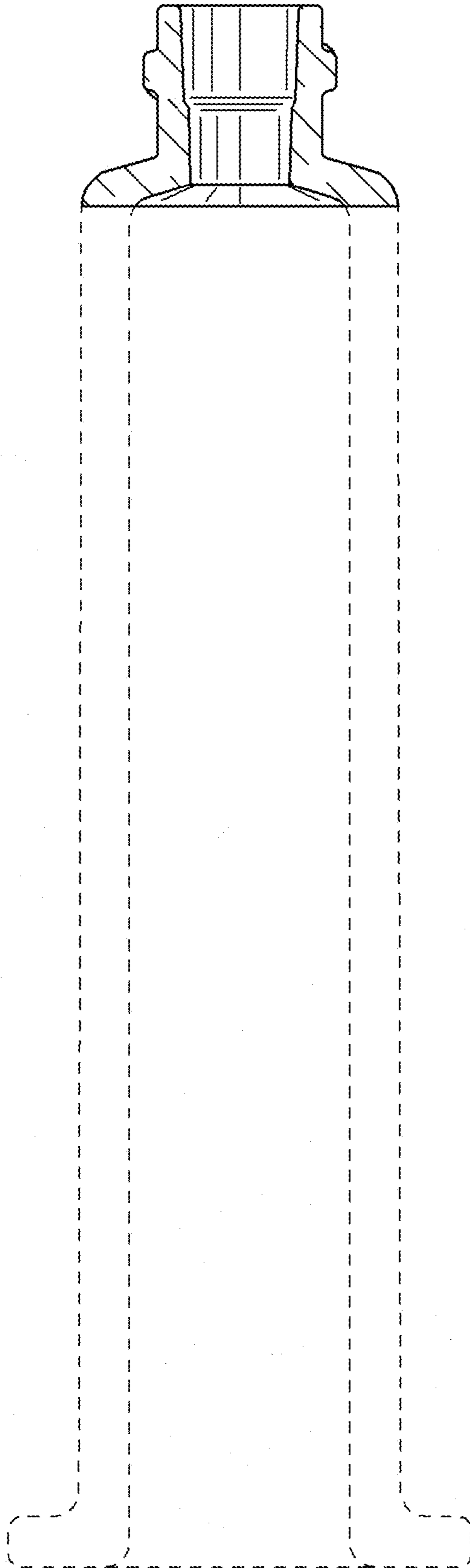


FIG. 19

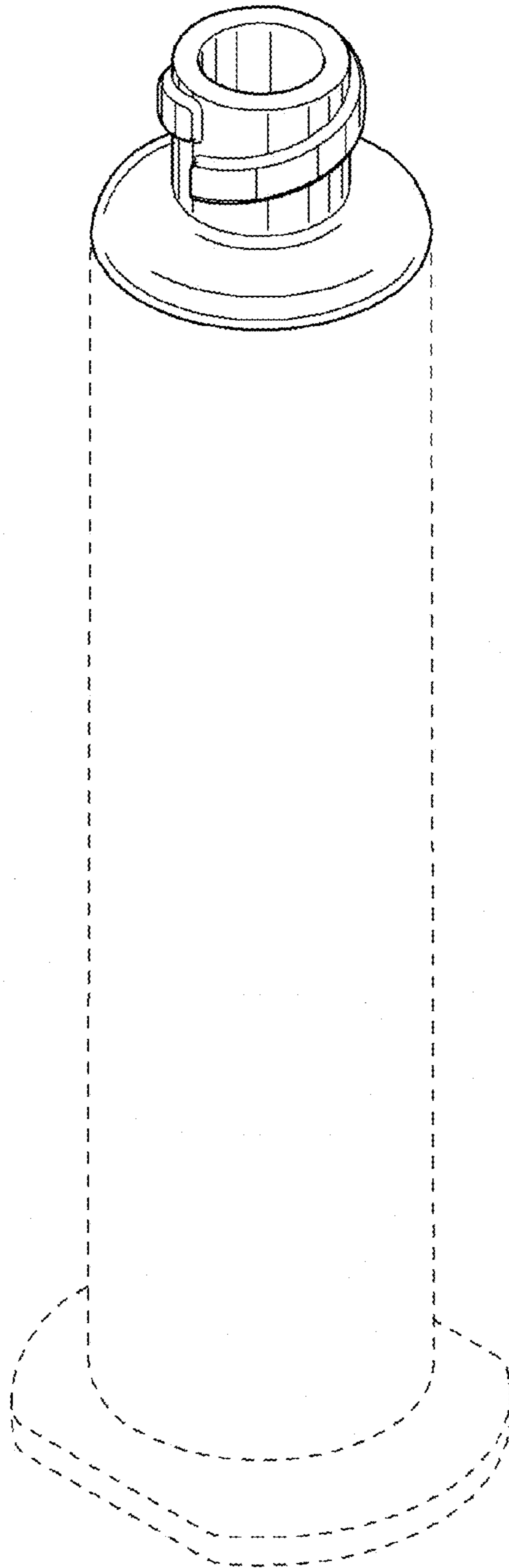


FIG. 20

