



US00D712024S

(12) **United States Design Patent**
Au et al.

(10) **Patent No.:** **US D712,024 S**

(45) **Date of Patent:** **** Aug. 26, 2014**

(54) **REDUCED PRESSURE THERAPY DEVICE WITH ALARM CLIP**

(71) Applicant: **Spiracur Inc.**, Sunnyvale, CA (US)

(72) Inventors: **Nelson S. Au**, Foster City, CA (US);
Jeffrey W. Etter, Hayward, CA (US);
Craig A. Carson, Fremont, CA (US);
Dean Hu, San Leandro, CA (US)

(73) Assignee: **Spiracur Inc.**, Sunnyvale, CA (US)

(**) Term: **14 Years**

(21) Appl. No.: **29/458,067**

(22) Filed: **Jun. 14, 2013**

Related U.S. Application Data

(60) Division of application No. 29/381,378, filed on Dec. 17, 2010, now Pat. No. Des. 686,724, which is a continuation-in-part of application No. 29/332,485, filed on Feb. 17, 2009, now Pat. No. Des. 629,502.

(51) **LOC (10) Cl.** **24-01**

(52) **U.S. Cl.**
USPC **D24/108**

(58) **Field of Classification Search**
USPC D24/107-108, 111, 186, 169, 121;
604/151-155, 131, 304, 289, 290

See application file for complete search history.

(56) **References Cited**

U.S. PATENT DOCUMENTS

D391,444 S *	3/1998	Munari	D7/394
D461,092 S *	8/2002	Coudurier	D7/393
D516,377 S *	3/2006	Plichon	D7/394
D525,079 S *	7/2006	Munari	D7/394
D561,524 S *	2/2008	Munari	D7/394
D584,920 S *	1/2009	Munari	D7/394
D620,748 S *	8/2010	Munari	D7/394
D680,354 S *	4/2013	Gasser	D6/716
D681,374 S *	5/2013	Gasser	D6/716
D683,582 S *	6/2013	Rae	D7/394
D685,190 S *	7/2013	Serrano	D3/318

* cited by examiner

Primary Examiner — Kelley Donnelly

(74) *Attorney, Agent, or Firm* — Morrison & Foerster LLP

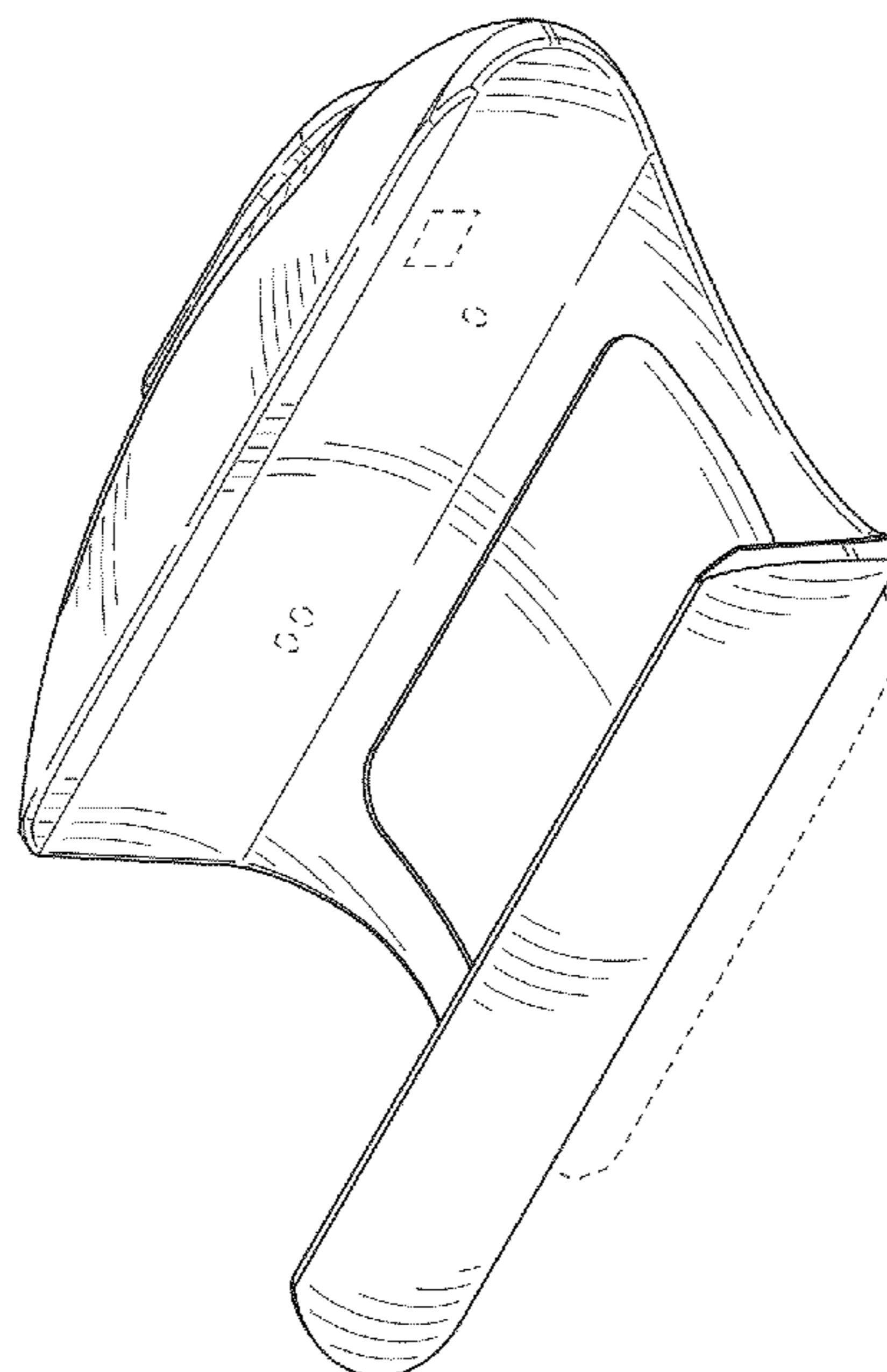
(57) **CLAIM**

The ornamental design for a reduced pressure therapy device with alarm clip, as shown and described.

DESCRIPTION

FIG. 1 is a rear perspective view of a reduced pressure therapy device with alarm clip showing the new design; FIG. 2 is a front perspective view thereof; FIG. 3 is a front elevation thereof; FIG. 4 is a rear elevation thereof; FIG. 5 is a right side elevation thereof; FIG. 6 is a left side elevation thereof; FIG. 7 is a top plan view thereof; and, FIG. 8 is a bottom plan view thereof. The broken lines which define the bounds of the claimed design form no part thereof.

1 Claim, 8 Drawing Sheets



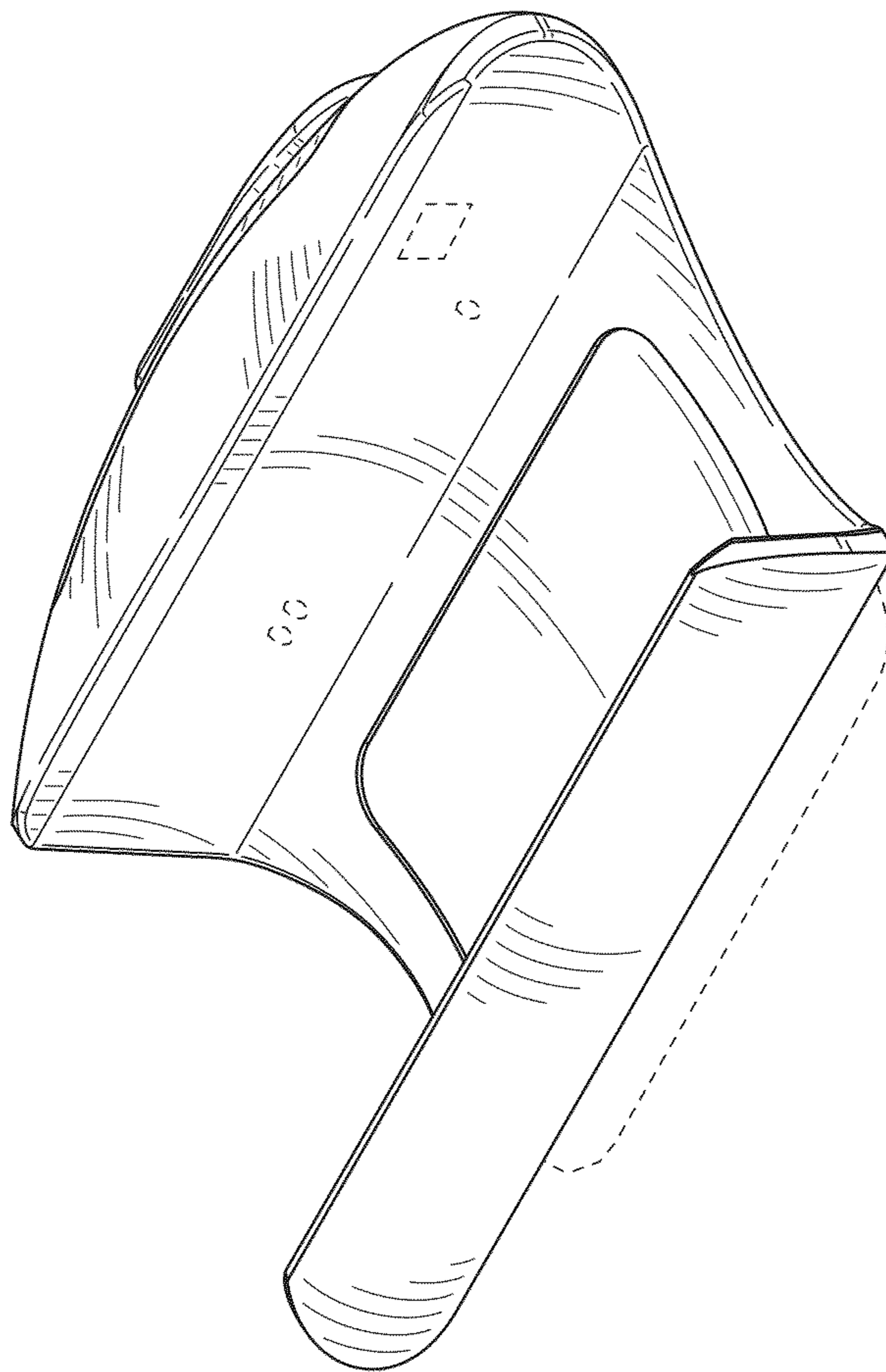


FIG. 1

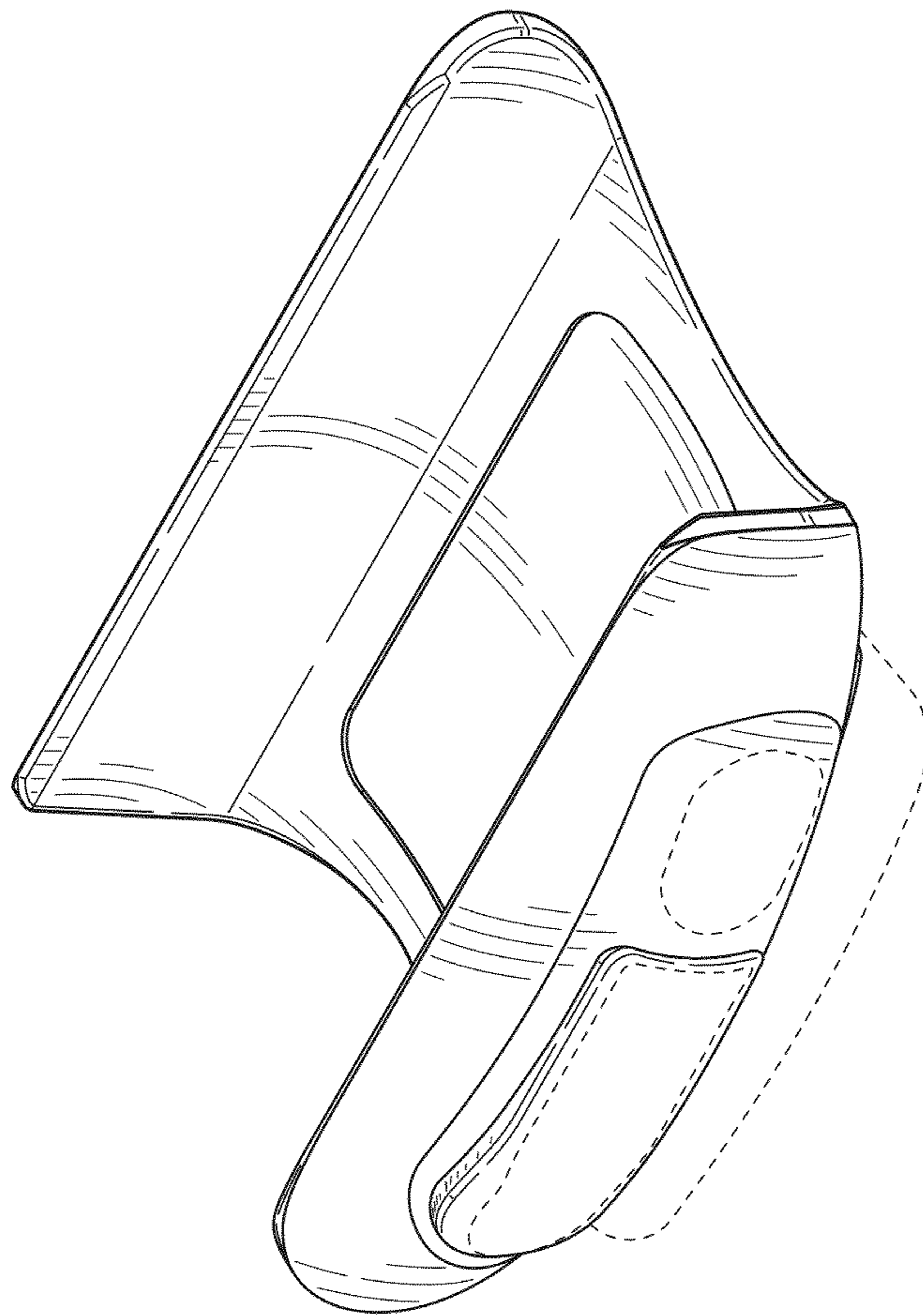


FIG. 2

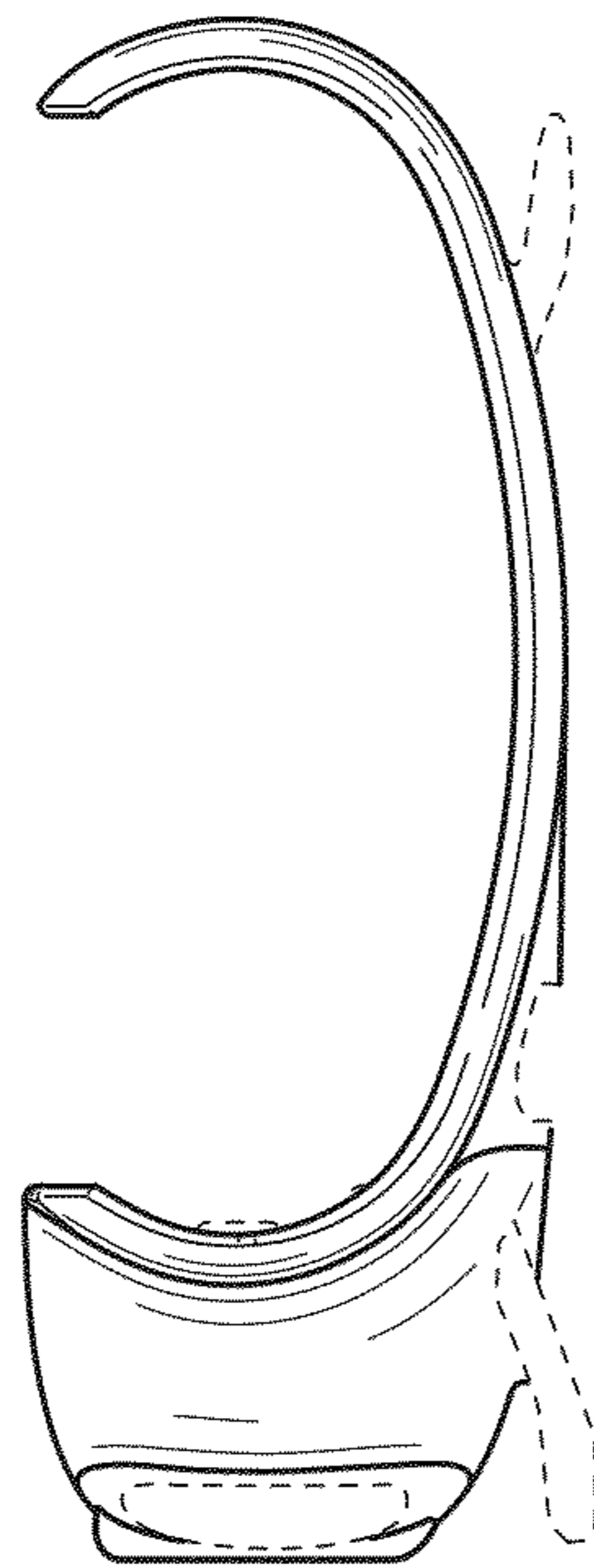


FIG. 3

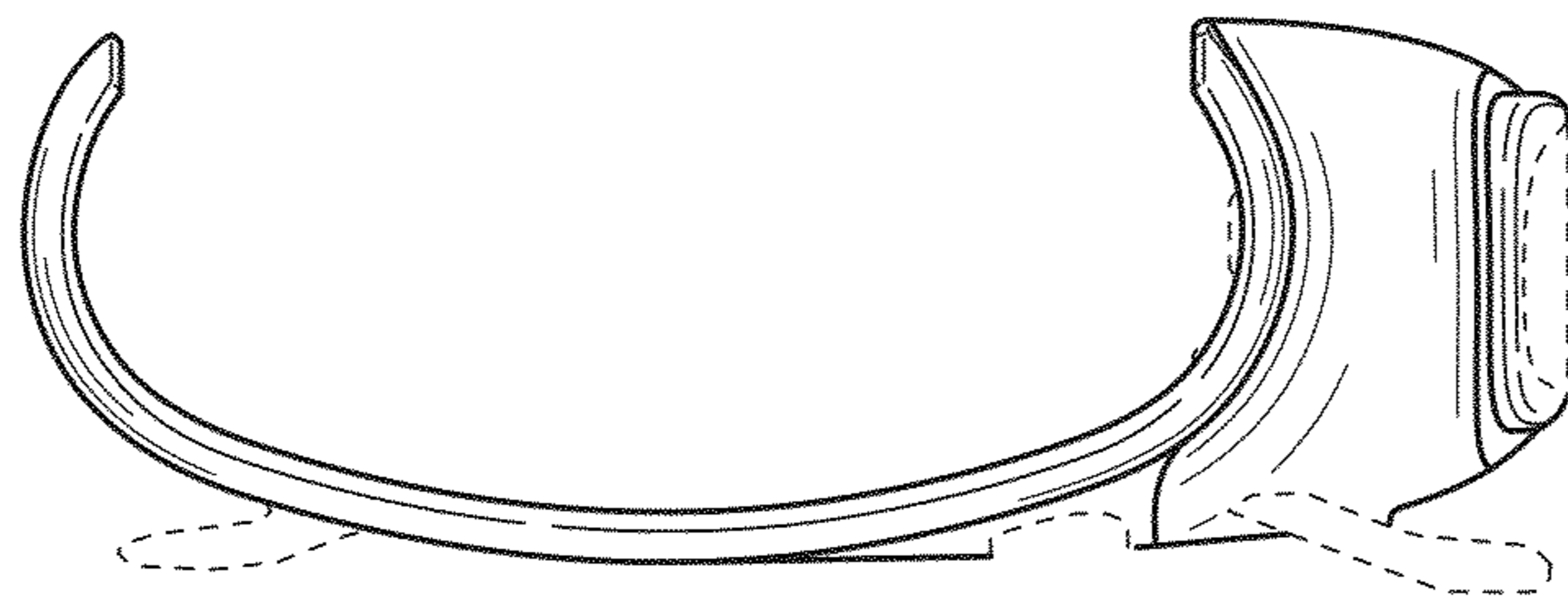


FIG. 4

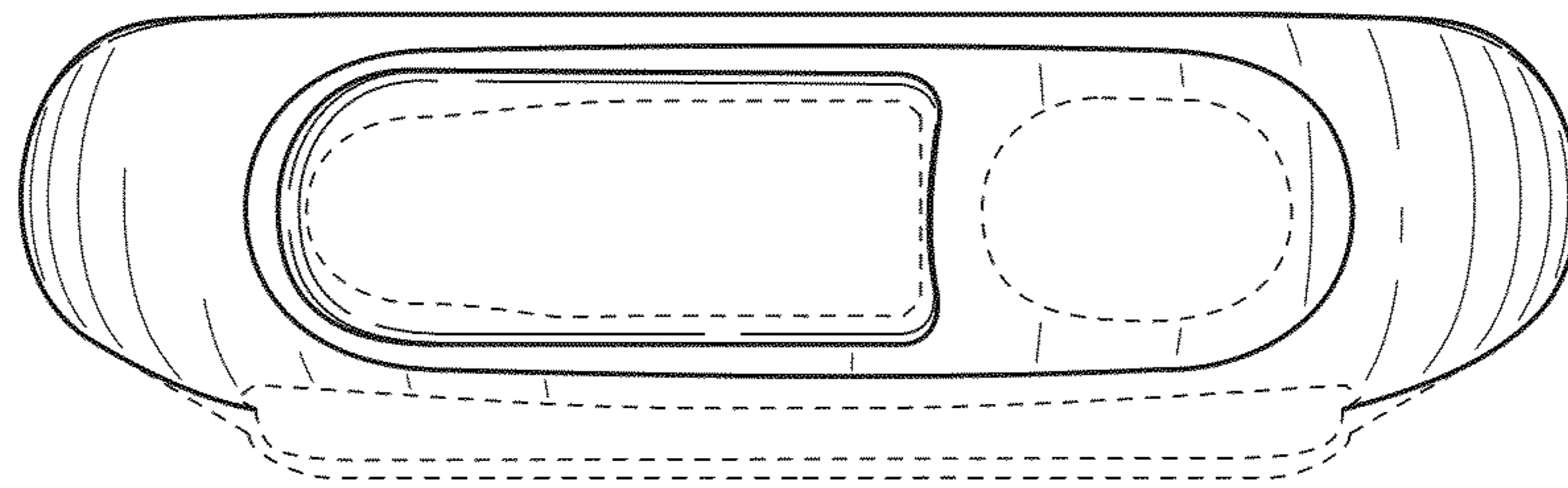


FIG. 5

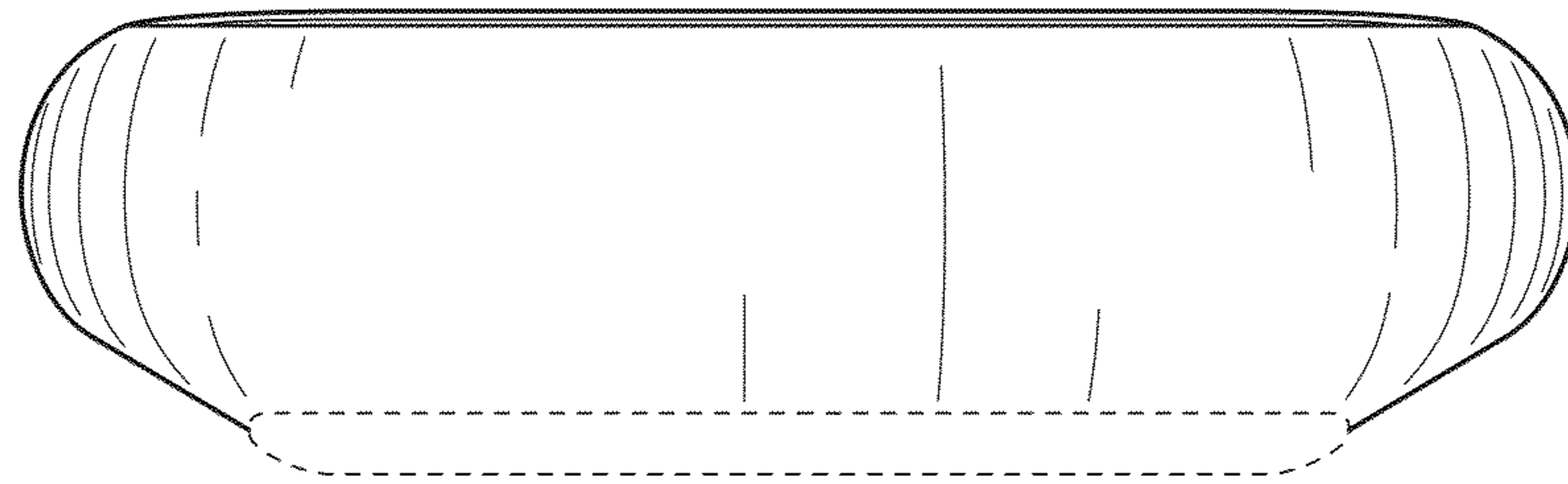


FIG. 6

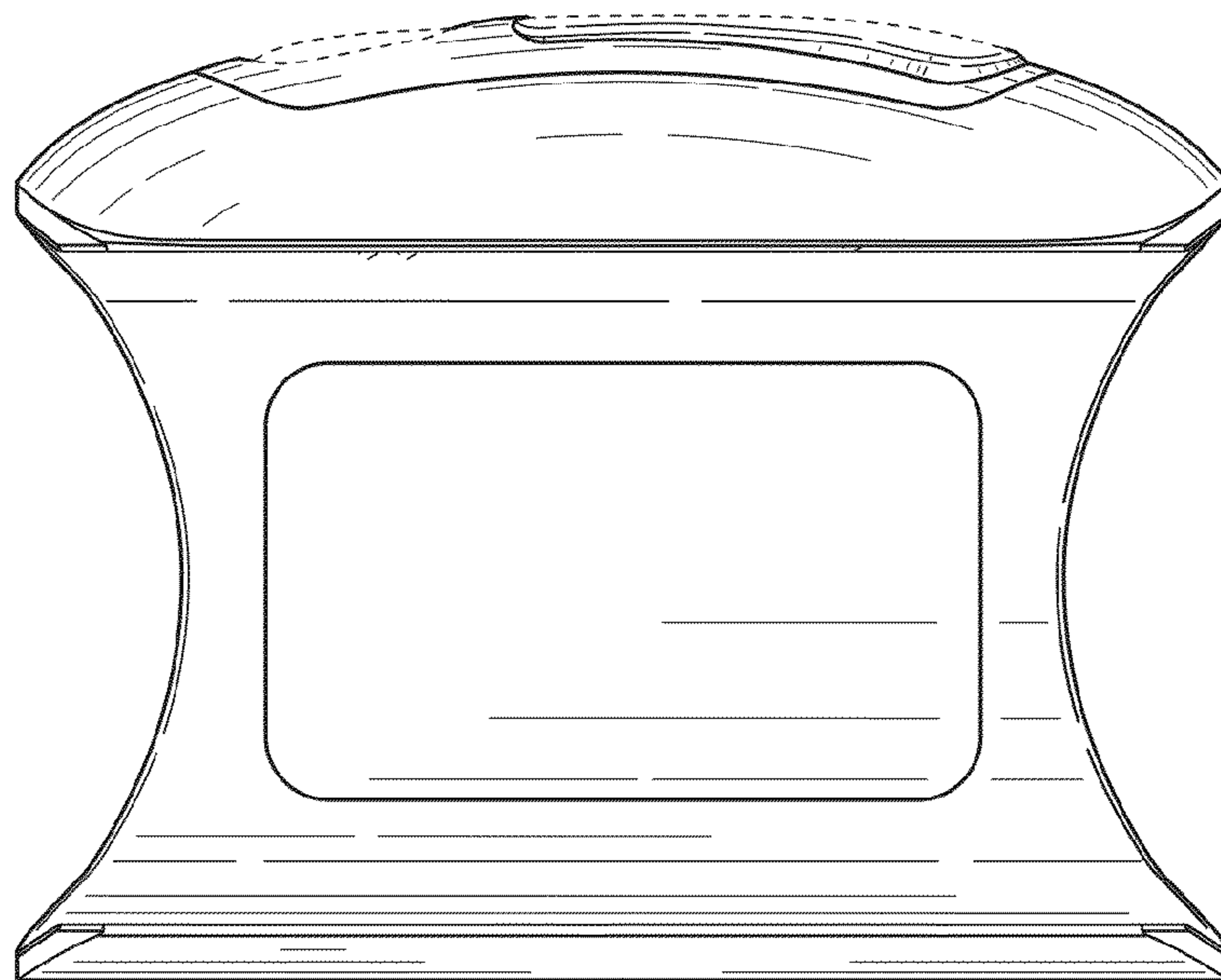


FIG. 7

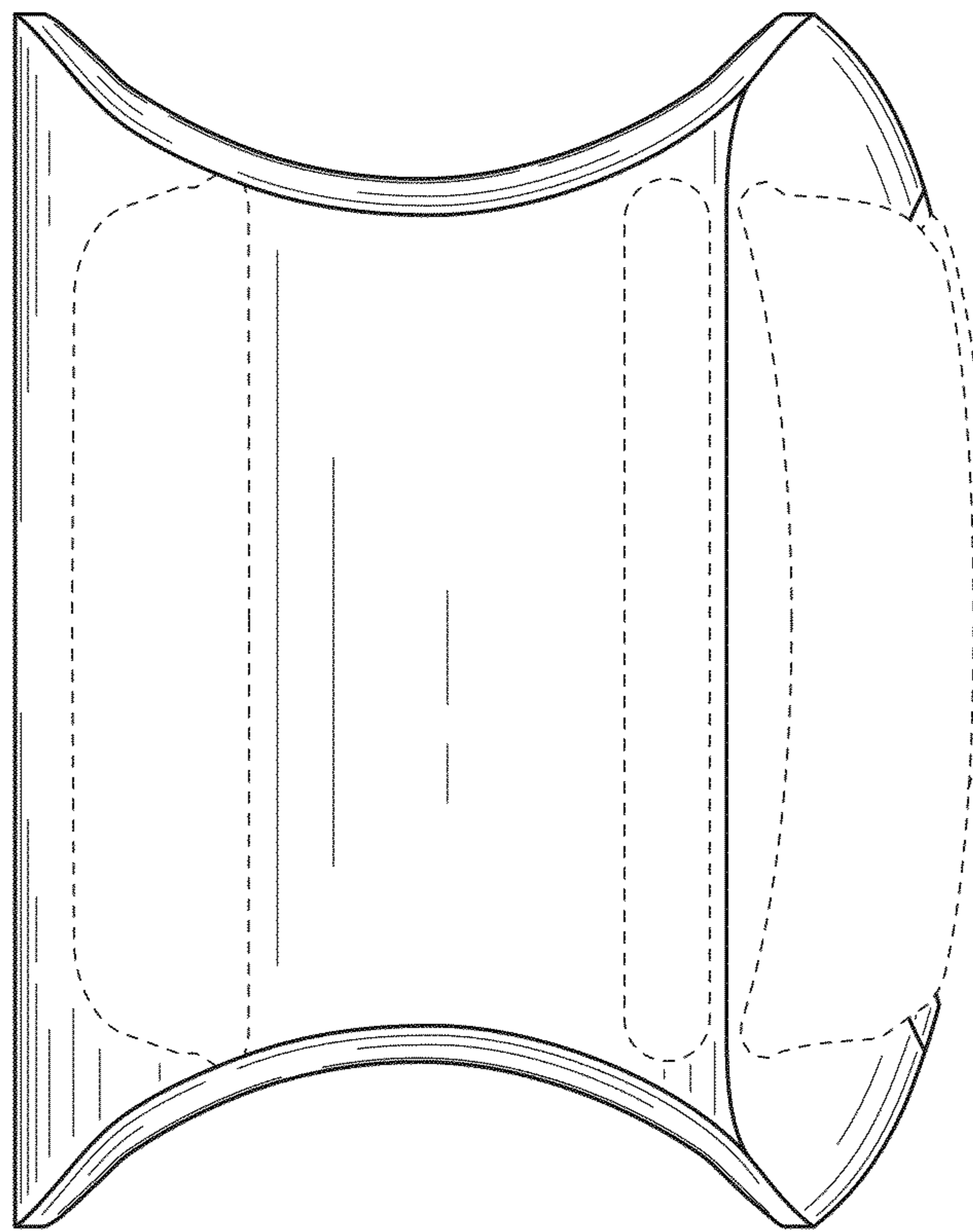


FIG. 8