



US00D712023S

(12) **United States Design Patent**  
**Rasmussen**

(10) **Patent No.:** **US D712,023 S**  
(45) **Date of Patent:** **\*\* Aug. 26, 2014**

(54) **VENTILATOR BLADE**

(75) Inventor: **Martin Rasmussen**, Naestved (DK)

(73) Assignee: **Novenco A/S**, Naestved (DK)

(\*\*) Term: **14 Years**

(21) Appl. No.: **29/426,978**

(22) Filed: **Jul. 12, 2012**

(30) **Foreign Application Priority Data**

Feb. 2, 2012 (EP) ..... 001985391-0001

(51) **LOC (10) Cl.** ..... **23-04**

(52) **U.S. Cl.**  
USPC ..... **D23/379**; D23/413

(58) **Field of Classification Search**  
CPC ..... F04D 29/00; F04D 29/34; F04D 29/005;  
F04D 29/322; F04D 29/324; F04D 29/326;  
F04D 29/384; F04D 29/388; F04D 29/602;  
F04D 25/088; F04D 29/329; F04D 29/38;  
F04D 29/364; F04D 29/382; F04D 29/662;  
B23P 15/04; B64C 11/04; B64C 11/24;  
B64C 27/46; B64D 2027/026; B64D  
2027/005; B21D 53/78; B21C 23/16; B23K  
2201/001; B29D 99/0025; F03D 1/0633  
USPC ..... D23/411-414, 324, 331, 343, 385,  
D23/370-384, 387, 499; 392/364; 416/5,  
416/170 R, 214 R, 184, 206, 207, 204 R,  
416/210 R, 220 R, 228, 235, 237, 244 R, 248  
See application file for complete search history.

(56) **References Cited**

**U.S. PATENT DOCUMENTS**

2,754,637 A \* 7/1956 Schiavone ..... 451/306  
2,844,207 A \* 7/1958 Curley ..... 416/207  
3,193,185 A \* 7/1965 Erwin et al. .... 415/193  
3,487,879 A \* 1/1970 Mccarthy et al. .... 416/220 R

D273,037 S \* 3/1984 Dodge ..... D23/413  
4,472,866 A \* 9/1984 Moracz et al. .... 29/889.6  
4,797,189 A \* 1/1989 Hinman et al. .... 204/224 M  
6,010,305 A \* 1/2000 Hauser ..... 416/169 A  
6,129,528 A \* 10/2000 Bradbury et al. .... 417/423.1  
6,155,789 A \* 12/2000 Mannava et al. .... 416/241 R  
6,358,012 B1 \* 3/2002 Staubach ..... 416/228  
6,382,915 B1 \* 5/2002 Aschermann et al. .... 416/169 A  
6,565,324 B1 \* 5/2003 Phillipson et al. .... 416/236 R  
6,726,454 B2 \* 4/2004 Blass et al. .... 416/236 R  
6,884,034 B1 \* 4/2005 Parker et al. .... 416/1

(Continued)

**FOREIGN PATENT DOCUMENTS**

WO WO 2013017584 A2 \* 2/2013

**OTHER PUBLICATIONS**

Design U.S. Appl. No. 29/426,860 to Rasmussen.

*Primary Examiner* — Susan Bennett Hattan  
*Assistant Examiner* — Marie Fast Horse  
(74) *Attorney, Agent, or Firm* — Oliff PLC

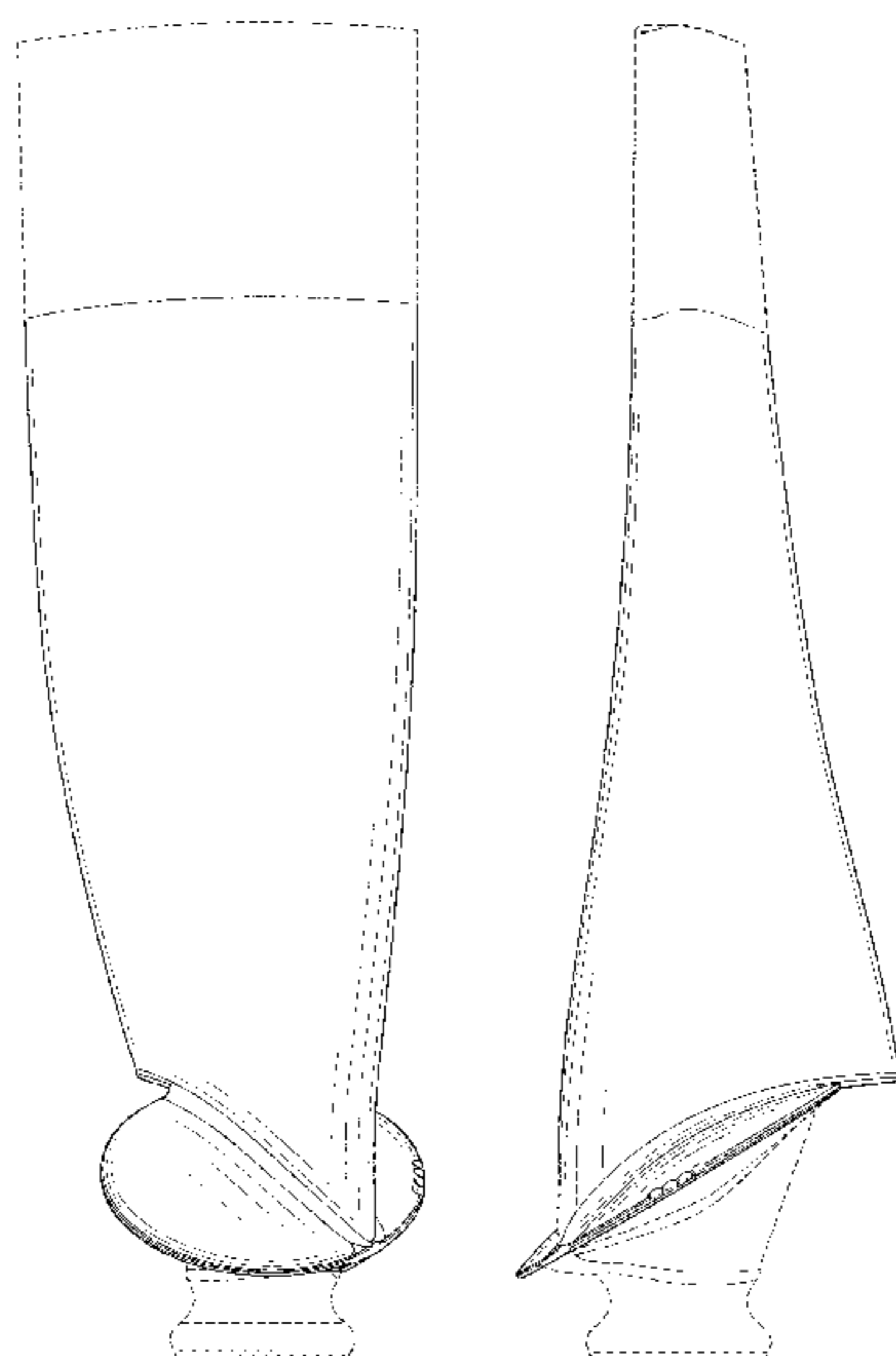
(57) **CLAIM**

The ornamental design for a ventilator blade, as shown and described.

**DESCRIPTION**

FIG. 1 is a perspective view of a ventilator blade;  
FIG. 2 is a front view thereof;  
FIG. 3 is a top view thereof;  
FIG. 4 is a right-side view thereof;  
FIG. 5 is a left-side view thereof;  
FIG. 6 is a rear view thereof; and,  
FIG. 7 is a bottom view thereof.  
The broken lines depict unclaimed portions only and form no part of the claimed design.  
The dot-chain lines depict boundaries between unclaimed and claimed surfaces and form no part of the claimed design.

**1 Claim, 7 Drawing Sheets**



(56)

**References Cited**

U.S. PATENT DOCUMENTS

D510,998 S \* 10/2005 Parker et al. .... D23/411  
 D514,731 S \* 2/2006 Engel ..... D26/88  
 D555,782 S \* 11/2007 Parker et al. .... D23/411  
 7,507,151 B1 \* 3/2009 Parker et al. .... 454/368  
 D590,489 S \* 4/2009 Bucher et al. .... D23/377  
 D594,552 S \* 6/2009 Parker et al. .... D23/413  
 D600,340 S \* 9/2009 Parker et al. .... D23/413  
 7,662,035 B1 \* 2/2010 Parker et al. .... 454/228  
 7,766,624 B2 \* 8/2010 Arinci et al. .... 416/223 R  
 7,845,236 B2 \* 12/2010 Zheng et al. .... 73/727  
 7,850,513 B1 \* 12/2010 Parker et al. .... 454/228

D633,195 S \* 2/2011 Stagg ..... D23/413  
 7,878,759 B2 \* 2/2011 Mills et al. .... 416/1  
 8,070,438 B2 \* 12/2011 Evans ..... 416/2  
 D665,492 S \* 8/2012 Romero Carreras ..... D23/413  
 D665,895 S 8/2012 Rasmussen  
 8,267,653 B2 \* 9/2012 Nies et al. .... 416/1  
 8,277,189 B2 \* 10/2012 DeMania et al. .... 416/193 A  
 D670,802 S \* 11/2012 Wang ..... D23/413  
 2005/0002791 A1 \* 1/2005 Bird et al. .... 416/210 R  
 2009/0129974 A1 \* 5/2009 McEllen ..... 422/24  
 2011/0027098 A1 \* 2/2011 Noe et al. .... 416/241 B  
 2011/0158810 A1 \* 6/2011 Shibukawa et al. .... 416/196 R  
 2011/0176924 A1 \* 7/2011 Gallet et al. .... 416/220 R  
 2014/0000281 A1 \* 1/2014 Nash ..... 60/805

\* cited by examiner

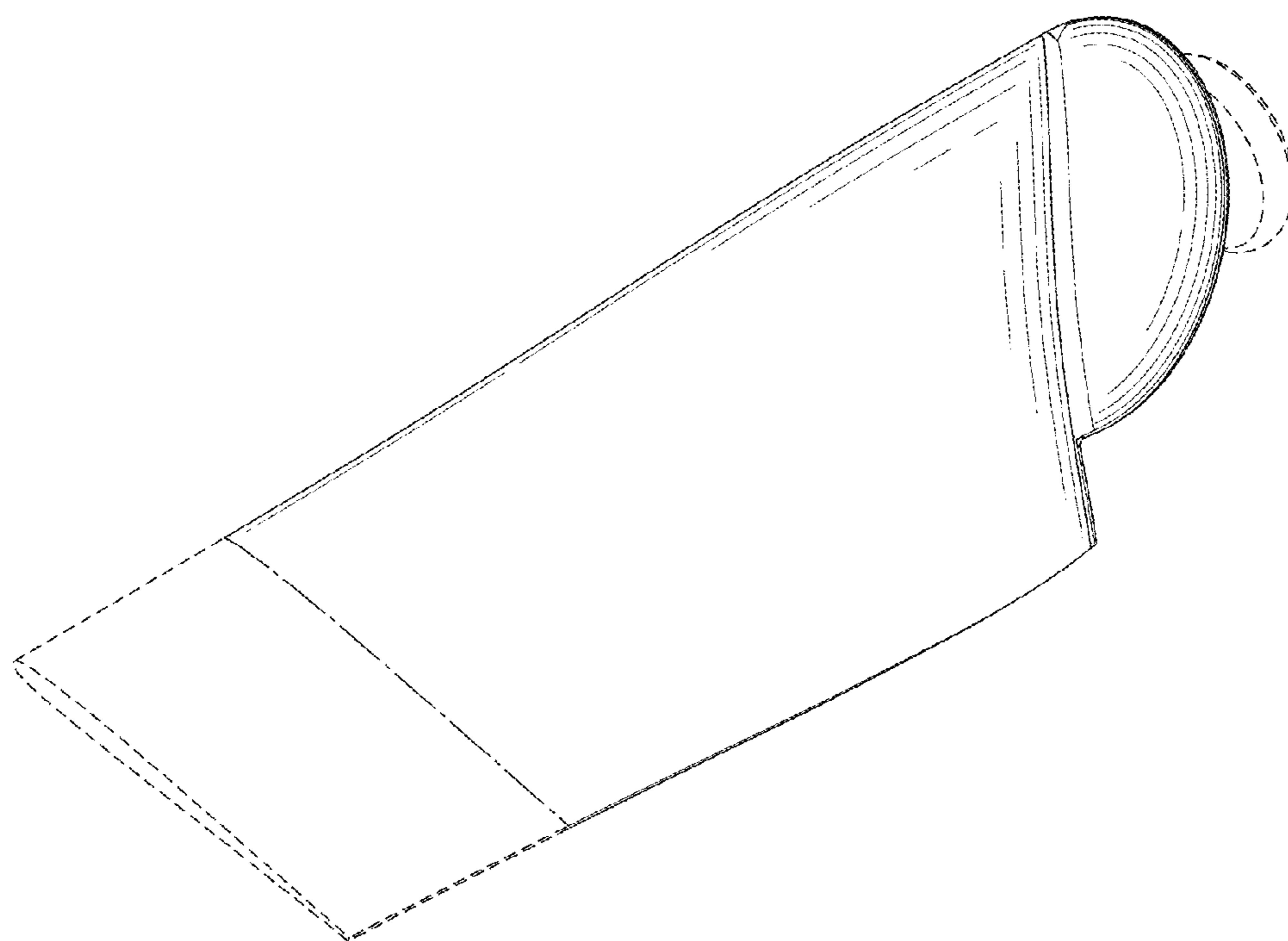


FIG. 1

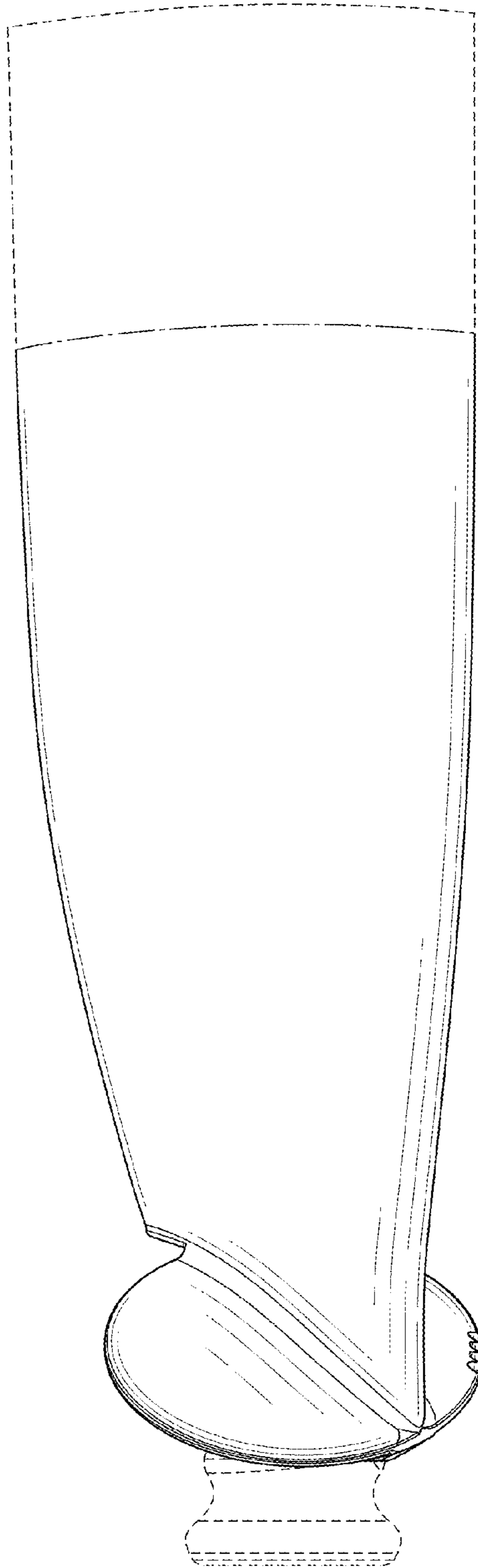


FIG. 2

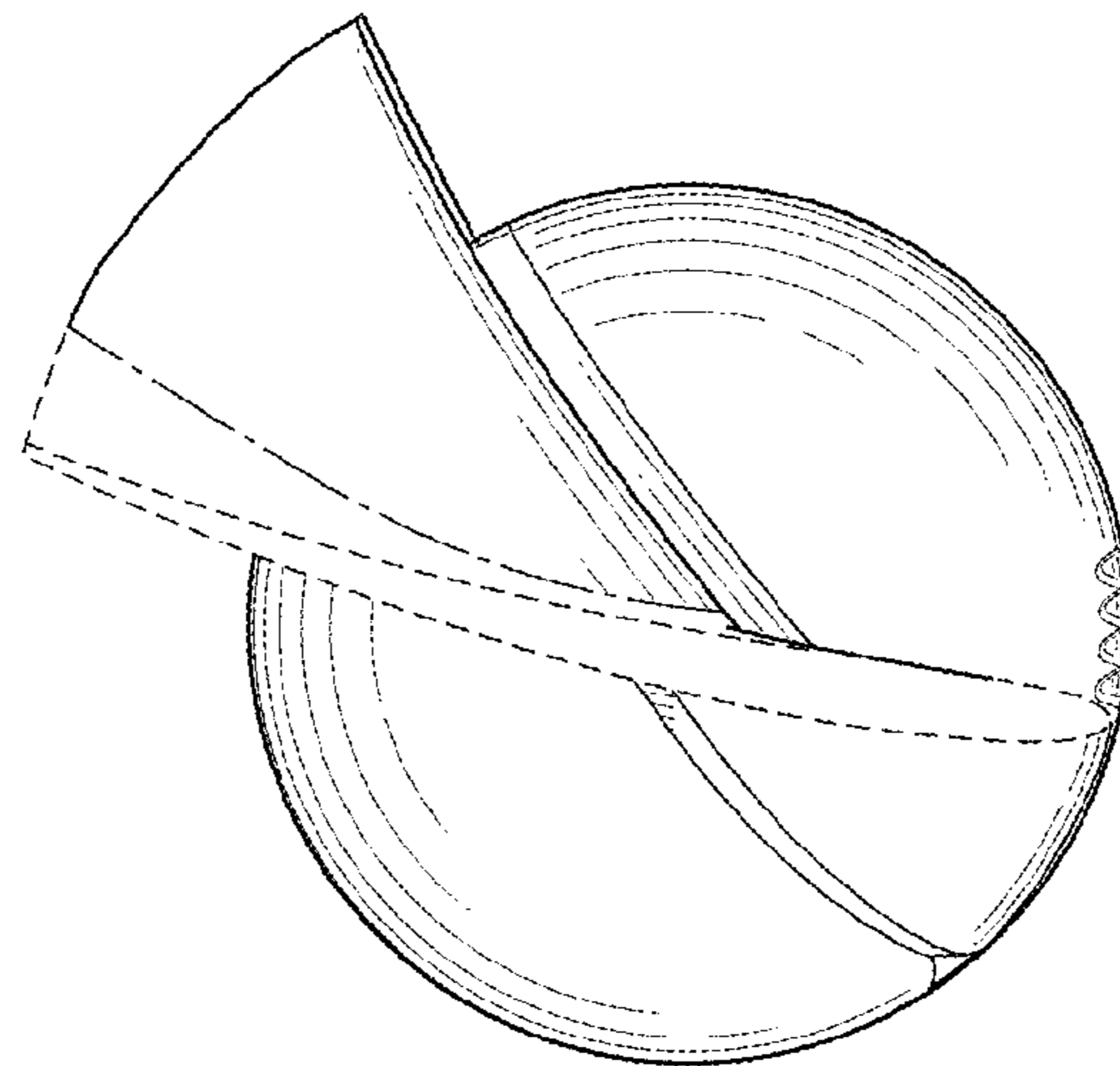


FIG. 3

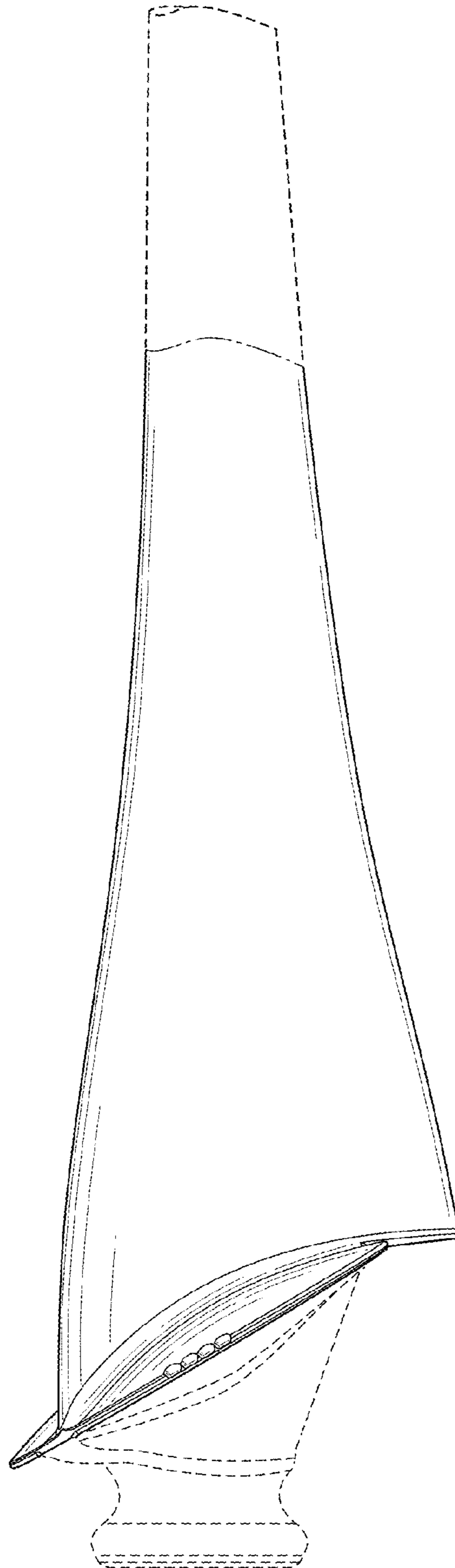


FIG. 4

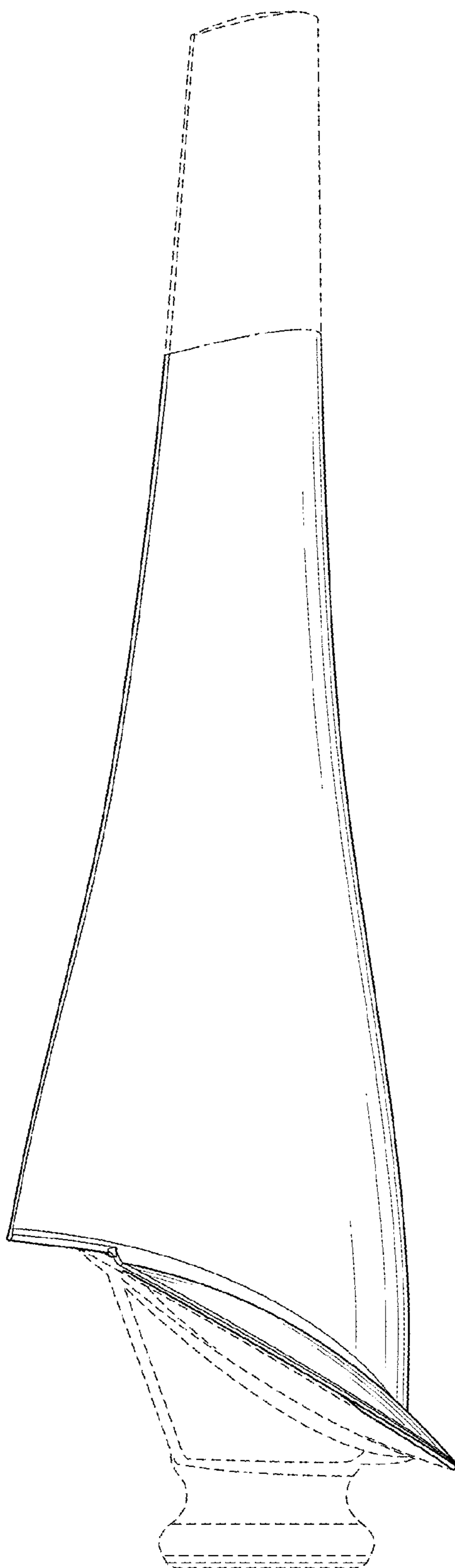


FIG. 5

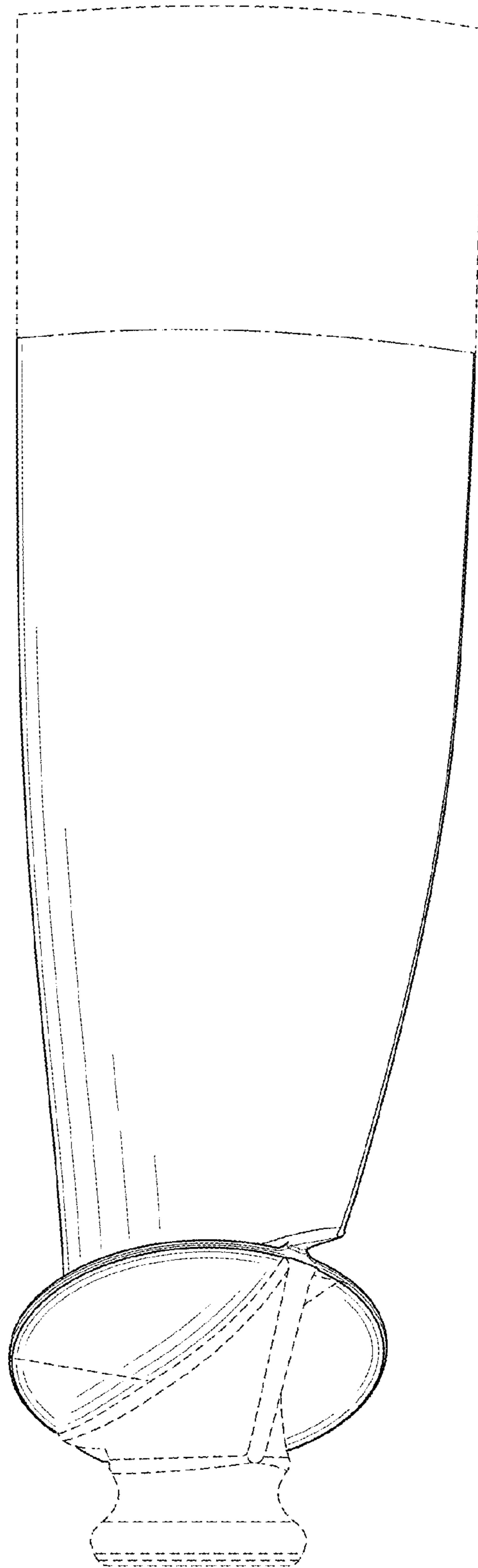


FIG. 6



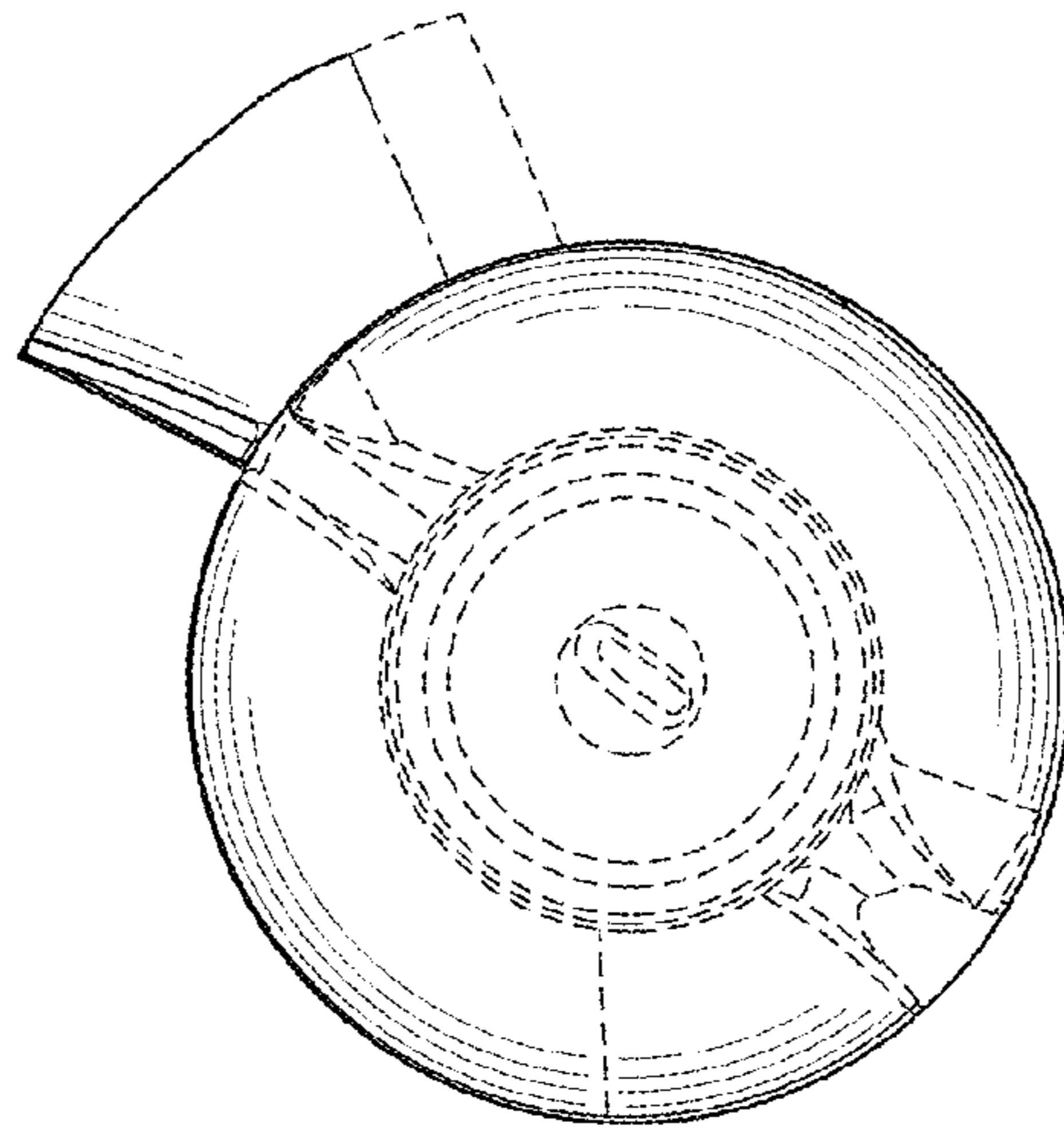


FIG. 7