



US00D712022S

(12) **United States Design Patent**  
**Hakim**

(10) **Patent No.:** **US D712,022 S**

(45) **Date of Patent:** **\*\* Aug. 26, 2014**

(54) **AIR FRESHENER**

(71) Applicant: **Abraham J. Hakim**, Aventura, FL (US)

(72) Inventor: **Abraham J. Hakim**, Aventura, FL (US)

(73) Assignee: **Zeeray LLC**, Neptune, NJ (US)

(\*\*) Term: **14 Years**

(21) Appl. No.: **29/478,001**

(22) Filed: **Dec. 30, 2013**

6,264,887	B1 *	7/2001	Farmer	.....	422/5
D594,954	S *	6/2009	Wheatley	.....	D23/366
D604,825	S *	11/2009	Brandenburg	.....	D23/366
7,687,037	B2 *	3/2010	Wheatley et al.	.....	422/124
D619,692	S *	7/2010	Hami et al.	.....	D23/366
D619,693	S *	7/2010	Hami et al.	.....	D23/366
D619,694	S *	7/2010	Hami et al.	.....	D23/366
D620,573	S *	7/2010	Hami et al.	.....	D23/366
D625,798	S *	10/2010	Hami et al.	.....	D23/367
D640,781	S *	6/2011	Brandenburg	.....	D23/366
8,147,761	B2 *	4/2012	Wheatley et al.	.....	422/123
D684,675	S *	6/2013	Irvin et al.	.....	D23/366
8,460,609	B1 *	6/2013	Wheatley et al.	.....	422/123
D699,334	S *	2/2014	Alesi et al.	.....	D23/366
2003/0202922	A1 *	10/2003	Farmer	.....	422/306
2011/0108632	A1 *	5/2011	Brandenburg et al.	.....	239/34

\* cited by examiner

**Related U.S. Application Data**

(63) Continuation of application No. 29/430,549, filed on Aug. 27, 2012, now Pat. No. Des. 697,603, which is a continuation-in-part of application No. 29/392,520, filed on May 23, 2011, now Pat. No. Des. 667,100.

(51) **LOC (10) Cl.** ..... **28-99**

(52) **U.S. Cl.**  
USPC ..... **D23/366**

(58) **Field of Classification Search**  
USPC ..... D23/355-369; D28/5, 6; 261/DIG. 17, 261/DIG. 42, DIG. 65, DIG. 88, DIG. 89; 392/386, 390, 394, 395; 239/34, 44, 239/53, 55, 56, 326; D26/14, 17, 98, 9, 22, D26/24; D11/131.1; D7/509, 522, 524, 537  
See application file for complete search history.

(56) **References Cited**

**U.S. PATENT DOCUMENTS**

5,651,522	A *	7/1997	Davis et al.	.....	248/221.11
D437,041	S *	1/2001	Eisenbraun	.....	D23/366
6,190,607	B1 *	2/2001	Farmer	.....	422/5

*Primary Examiner* — Sandra Snapp

(74) *Attorney, Agent, or Firm* — Goldberg Cohen LLP

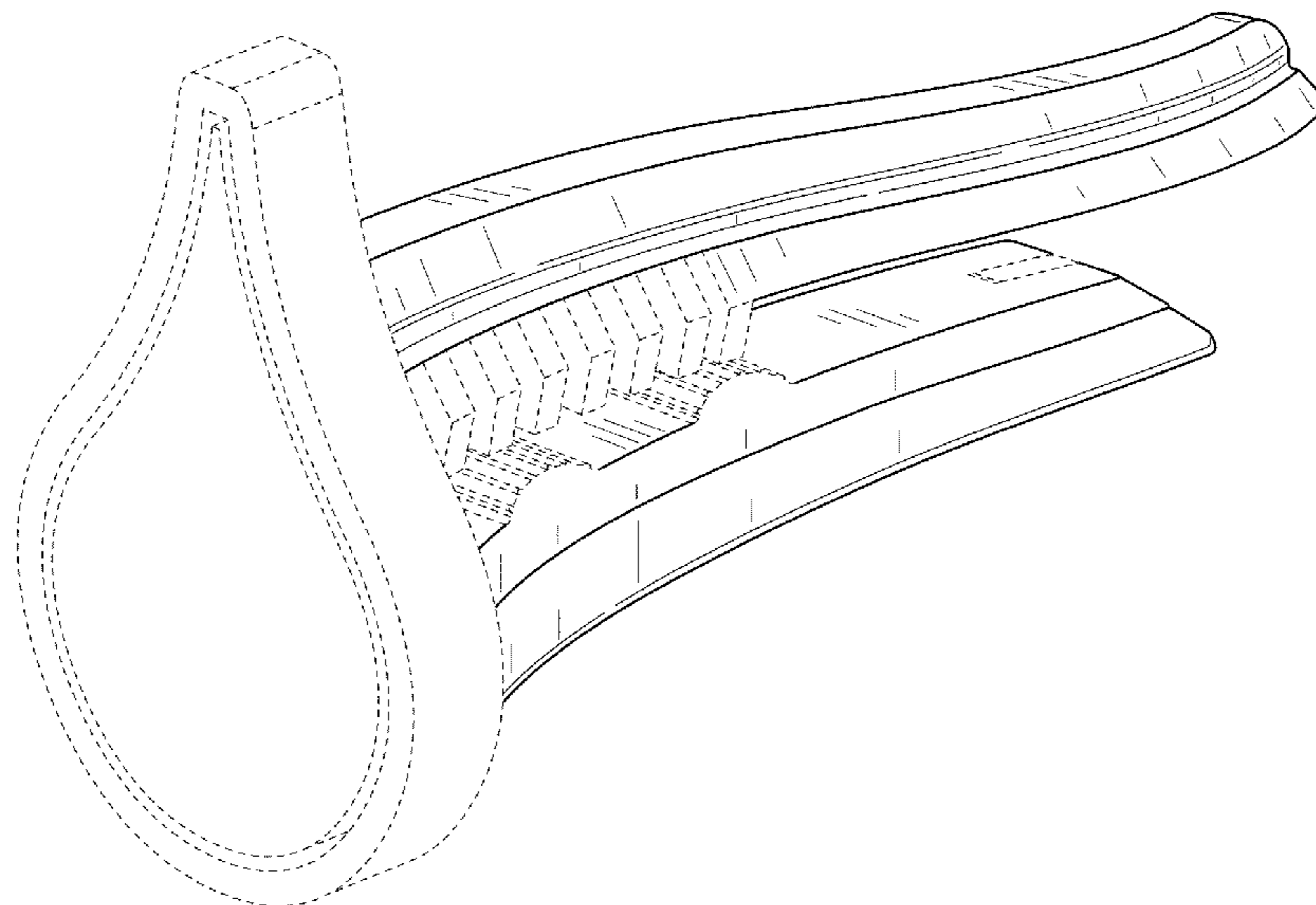
(57) **CLAIM**

I claim the ornamental design for an air freshener, as shown and described.

**DESCRIPTION**

FIG. 1 is a perspective view of an air freshener of the present invention;  
FIG. 2 is a right side view thereof;  
FIG. 3 is a left side view thereof;  
FIG. 4 is a back view thereof;  
FIG. 5 is a front view thereof;  
FIG. 6 is a top view thereof; and,  
FIG. 7 is a bottom view thereof.  
The broken lines indicate elements which do not form part of the claim herein.

**1 Claim, 5 Drawing Sheets**



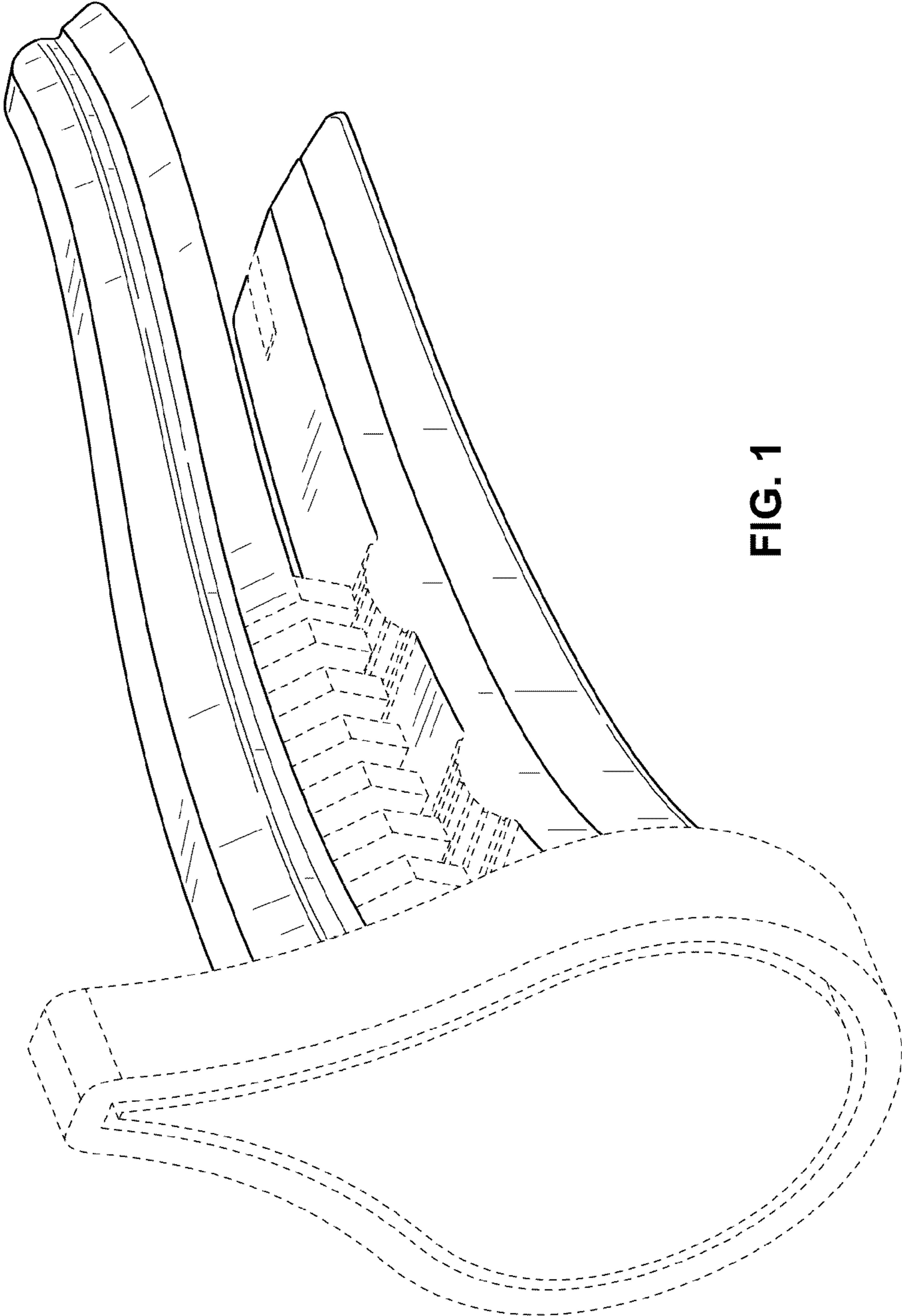


FIG. 1

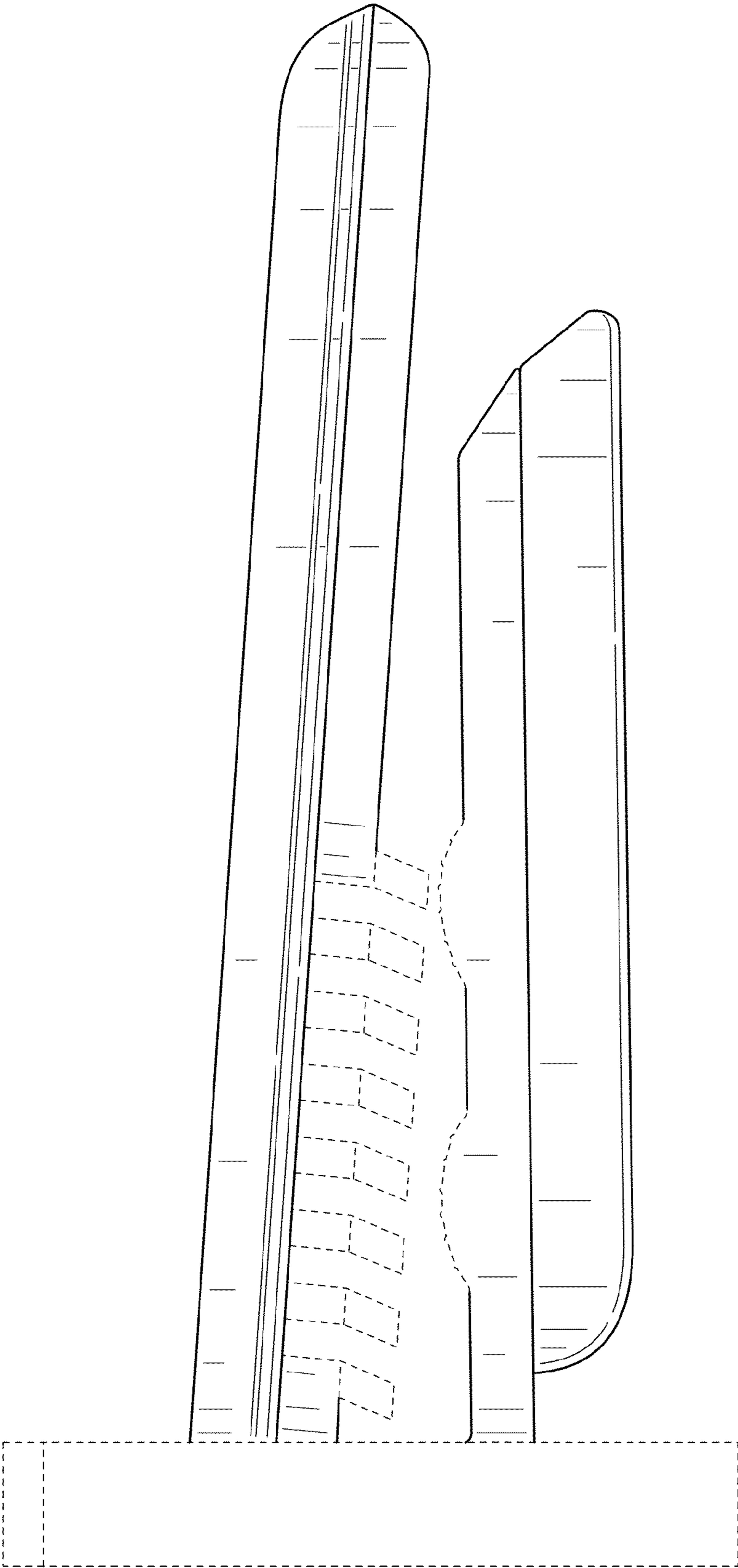


FIG. 2

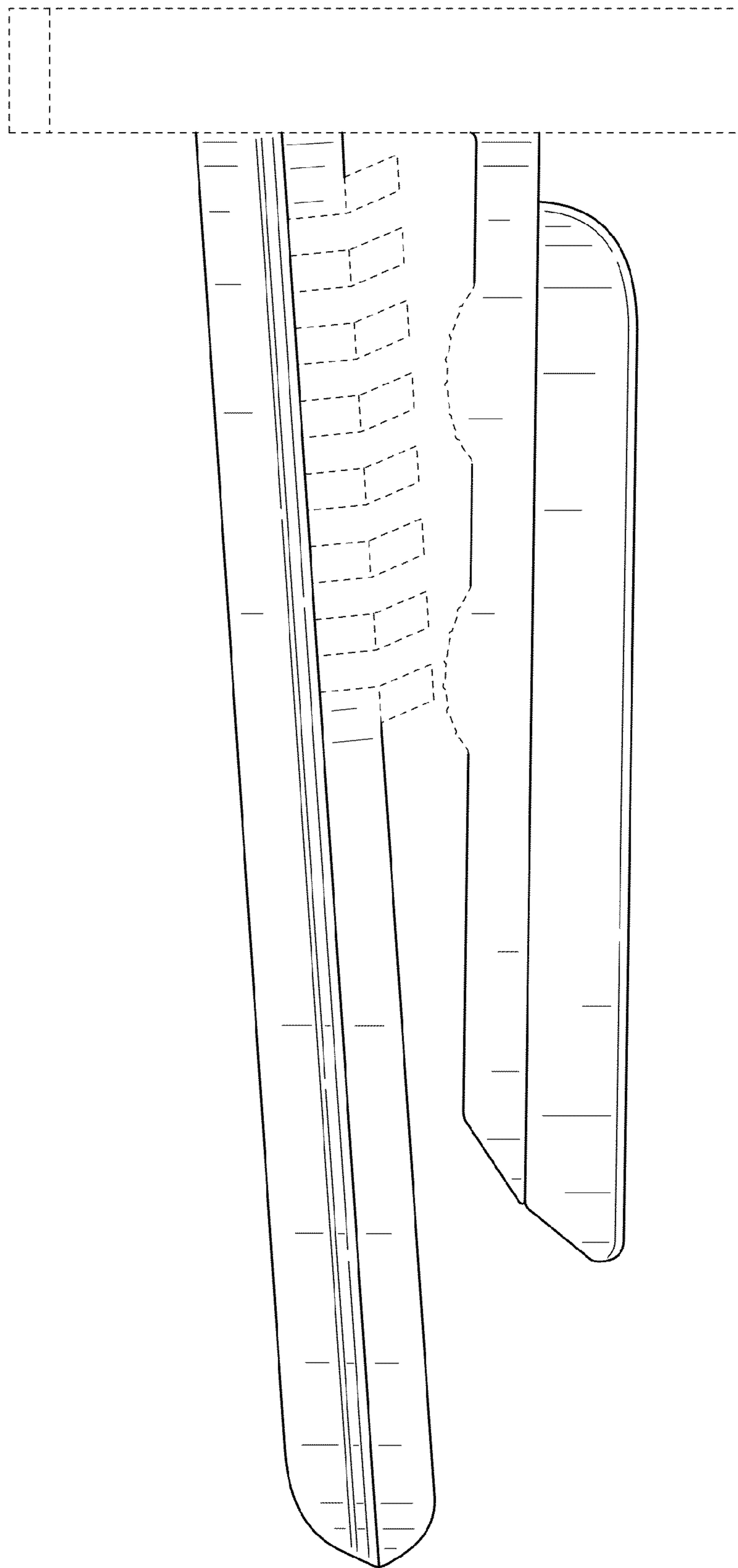


FIG. 3

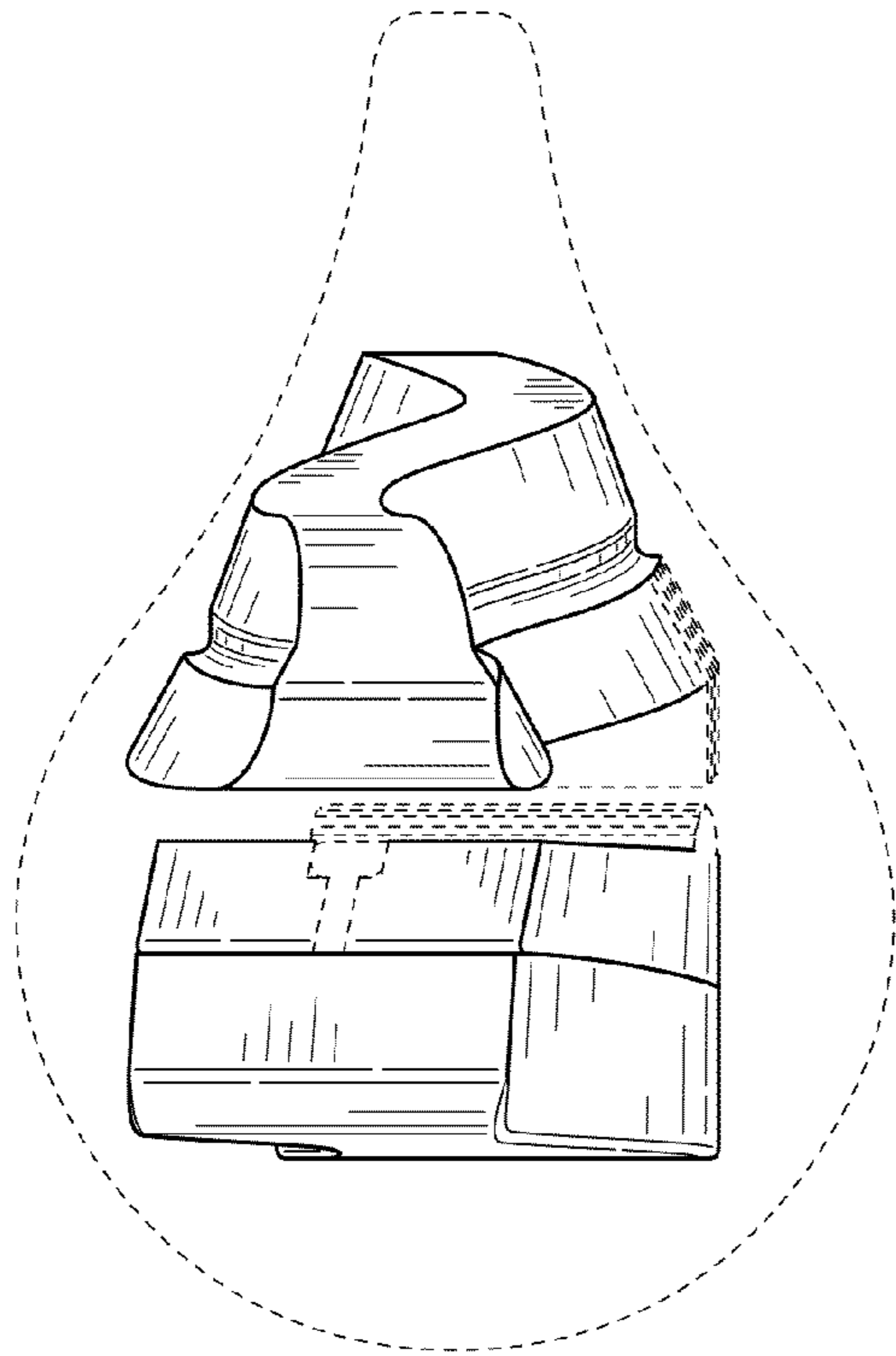


FIG. 4

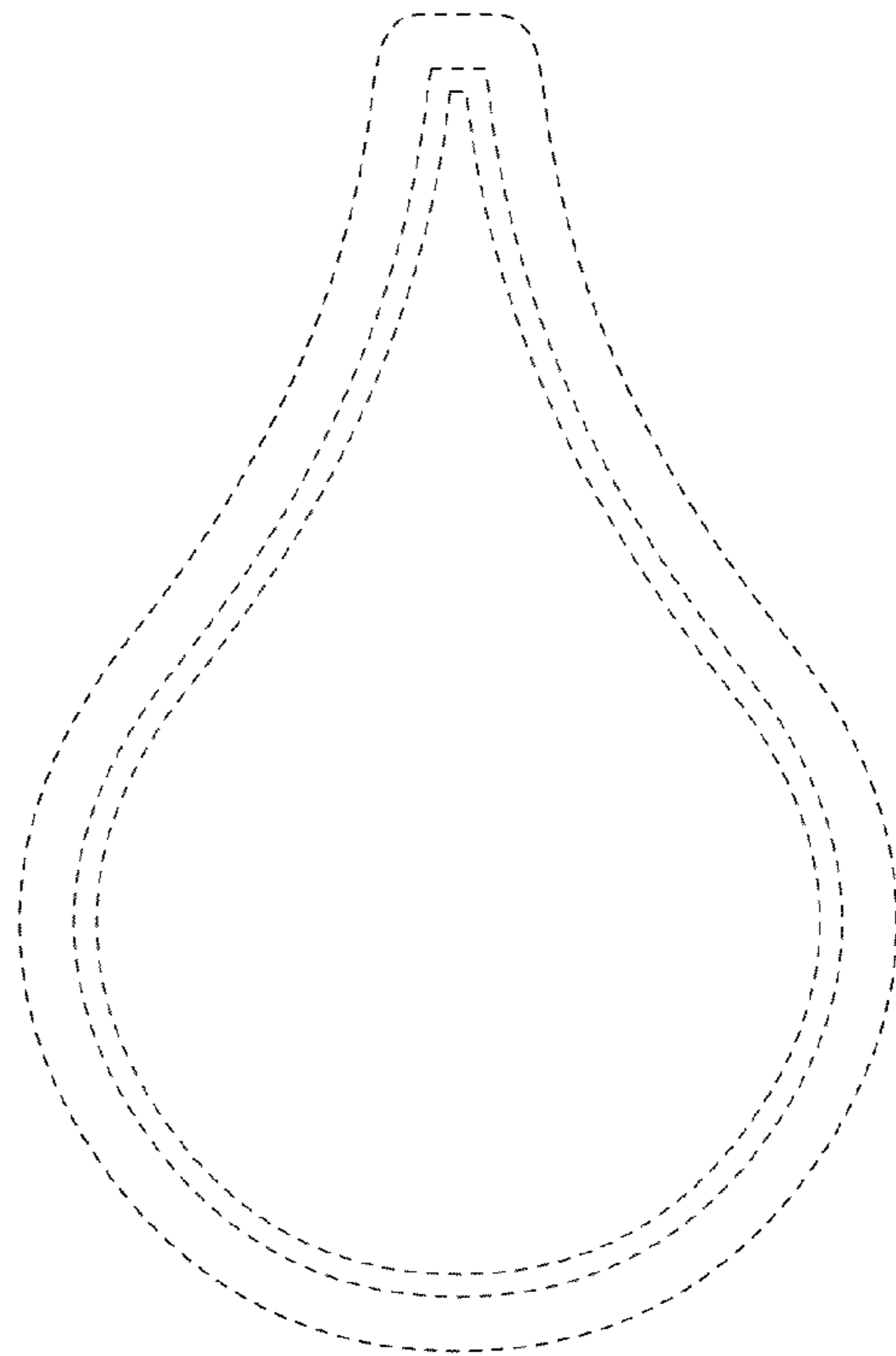


FIG. 5

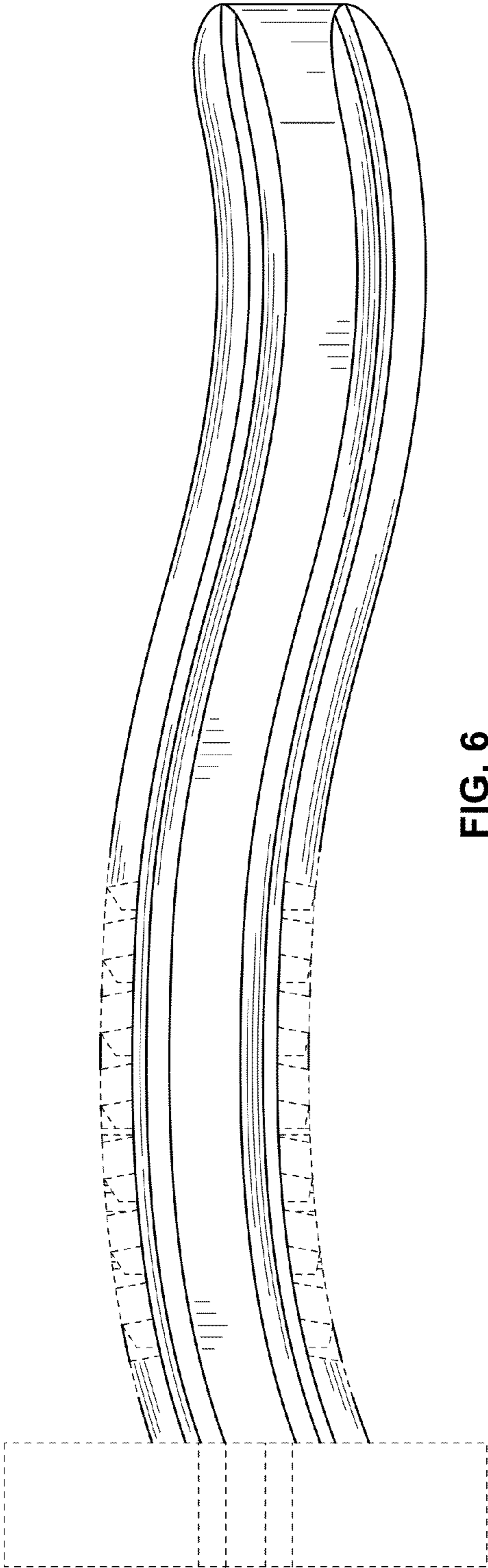


FIG. 6

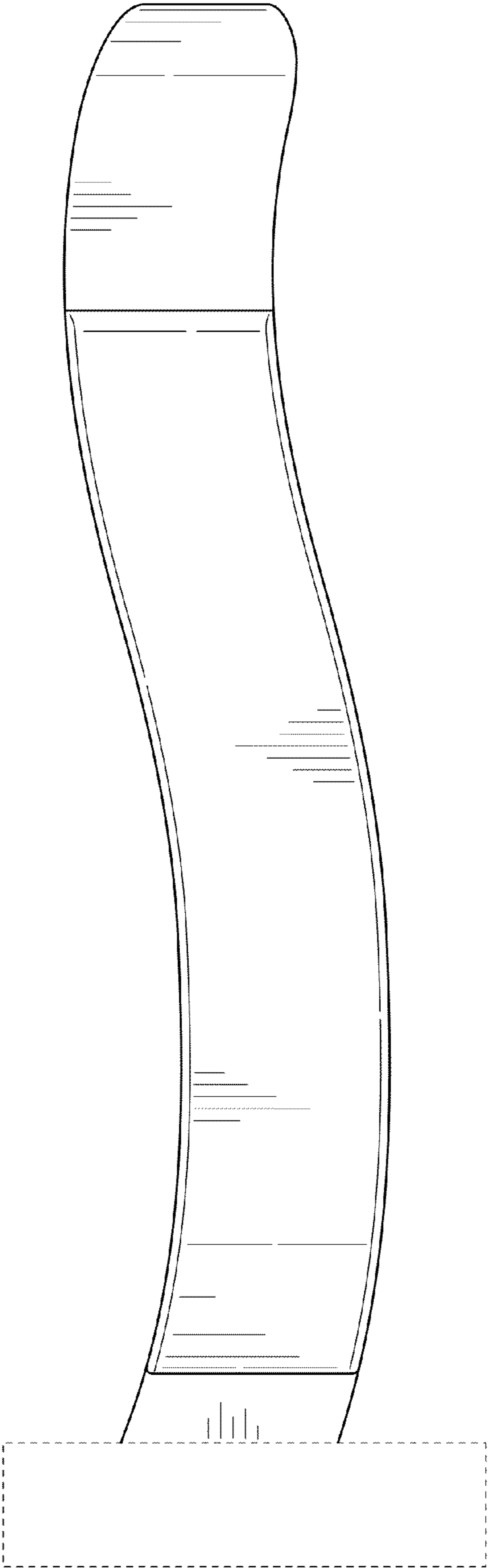


FIG. 7