

US00D712021S

(12) **United States Design Patent**
You et al.

(10) **Patent No.:** **US D712,021 S**

(45) **Date of Patent:** **** Aug. 26, 2014**

(54) **DRY TYPE ECONOMIZER**

(71) Applicant: **Shun-Fu Technology Corp.**, Taipei (TW)

(72) Inventors: **Ming-Shun You**, Taipei (TW); **Huan-Yu Chou**, Taipei (TW)

(73) Assignee: **Shun-Fu Technology Corp.**, Taipei (TW)

(**) Term: **14 Years**

(21) Appl. No.: **29/468,018**

(22) Filed: **Sep. 25, 2013**

(51) **LOC (10) Cl.** **23-04**

(52) **U.S. Cl.**
USPC **D23/354**

(58) **Field of Classification Search**
USPC D23/314, 317, 324, 328, 329, 330, 332, D23/333, 335, 341, 342, 351, 353, 354, 355, D23/356, 359, 364, 365, 370, 385, 386, 388, D23/393; D13/101, 110, 114, 118, 199; 62/259.1, 259.4, 262, 263, 304; 165/58, 59, 61, 65, 172, 173, 174, 179, 165/181; 312/236; 336/55, 57, 60, 61, 90, 336/98; 454/330, 331, 349, 350
See application file for complete search history.

(56) **References Cited**

U.S. PATENT DOCUMENTS

2,236,470 A * 3/1941 De Jonge 165/65
D195,975 S * 8/1963 Bianco et al. D13/110

3,384,165 A * 5/1968 Mathews D23/314
3,507,318 A * 4/1970 Tuwiner 165/172
3,537,935 A * 11/1970 Withers 165/172
3,616,849 A * 11/1971 Dijt 165/172
4,284,132 A * 8/1981 Strand, Sr. 165/103
6,854,278 B2 * 2/2005 Maisotsenko et al. 62/259.4
D595,226 S * 6/2009 Jidaisho D13/110
D649,234 S * 11/2011 Iovanel D23/351
2003/0141046 A1 * 7/2003 Ikeda et al. 165/173

* cited by examiner

Primary Examiner — Caron D Veynar

Assistant Examiner — Natasha Vujcic

(74) *Attorney, Agent, or Firm* — Guice Patents PLLC

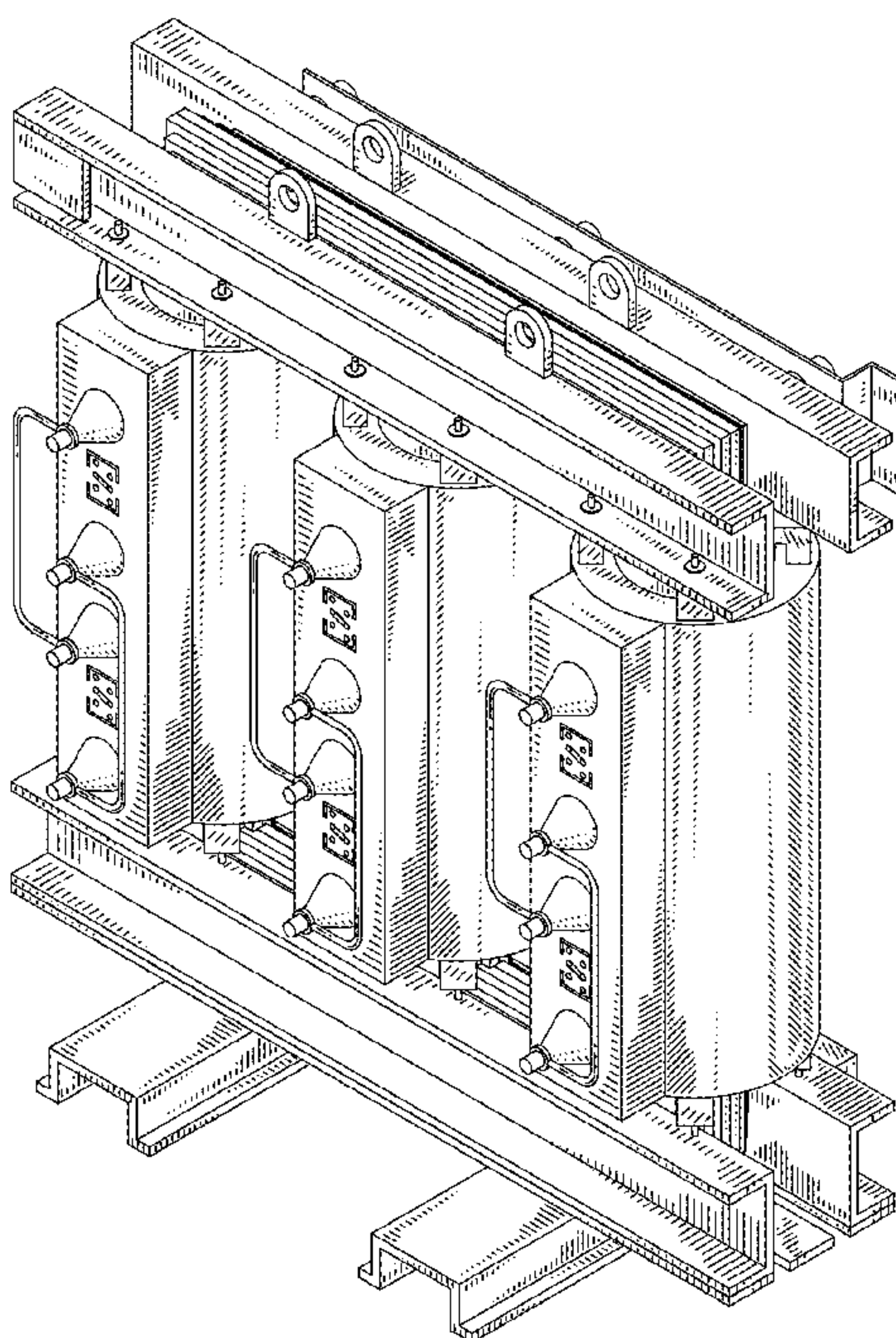
(57) **CLAIM**

The ornamental design for a dry type economizer, as shown and described.

DESCRIPTION

FIG. 1 is a perspective view of a dry type economizer showing my new design;
FIG. 2 is a front elevation view thereof;
FIG. 3 is a rear elevation view thereof;
FIG. 4 is a left side elevation view thereof;
FIG. 5 is a right side elevation view thereof;
FIG. 6 is a top view thereof; and,
FIG. 7 is a bottom view thereof.

1 Claim, 7 Drawing Sheets



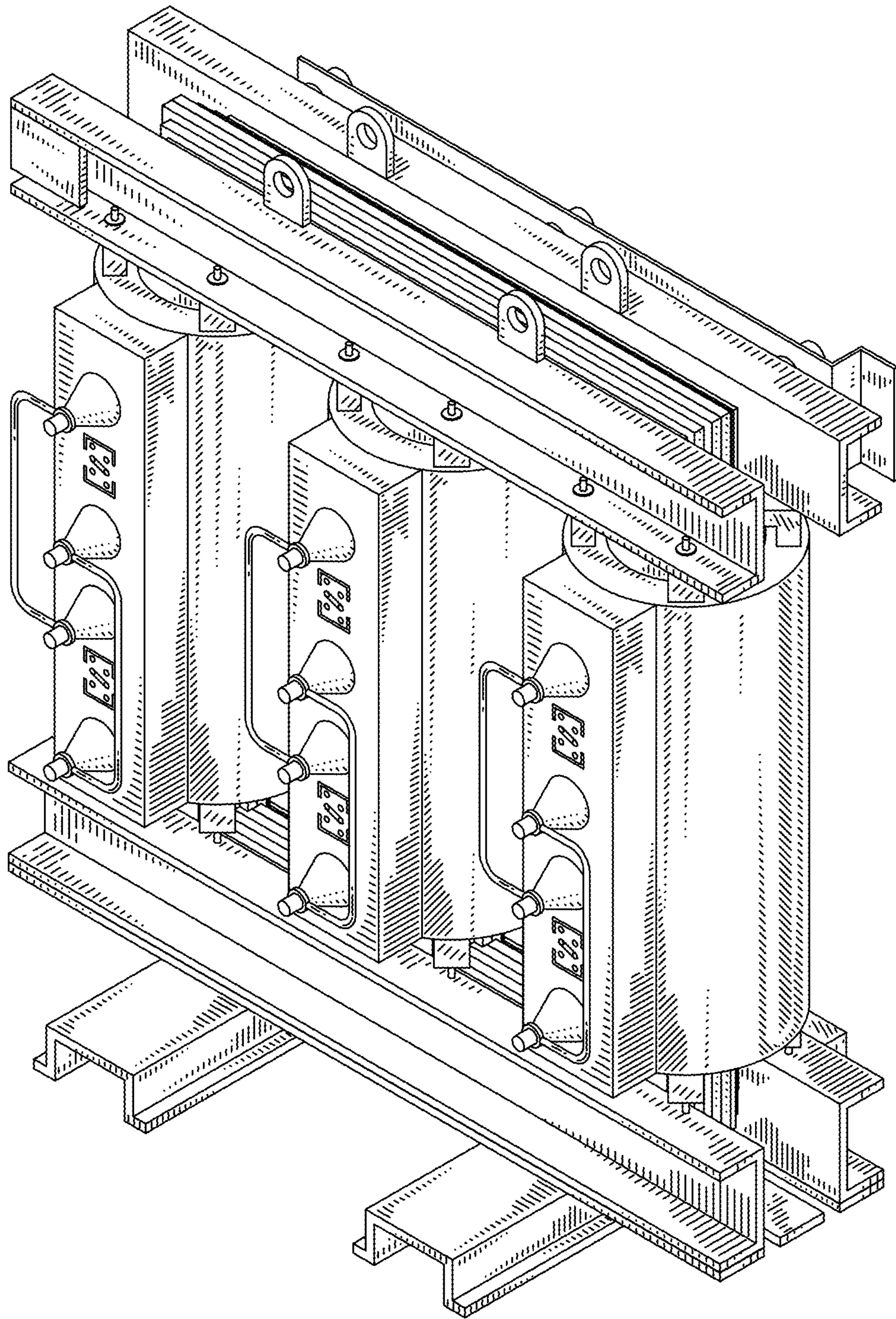


FIG. 1

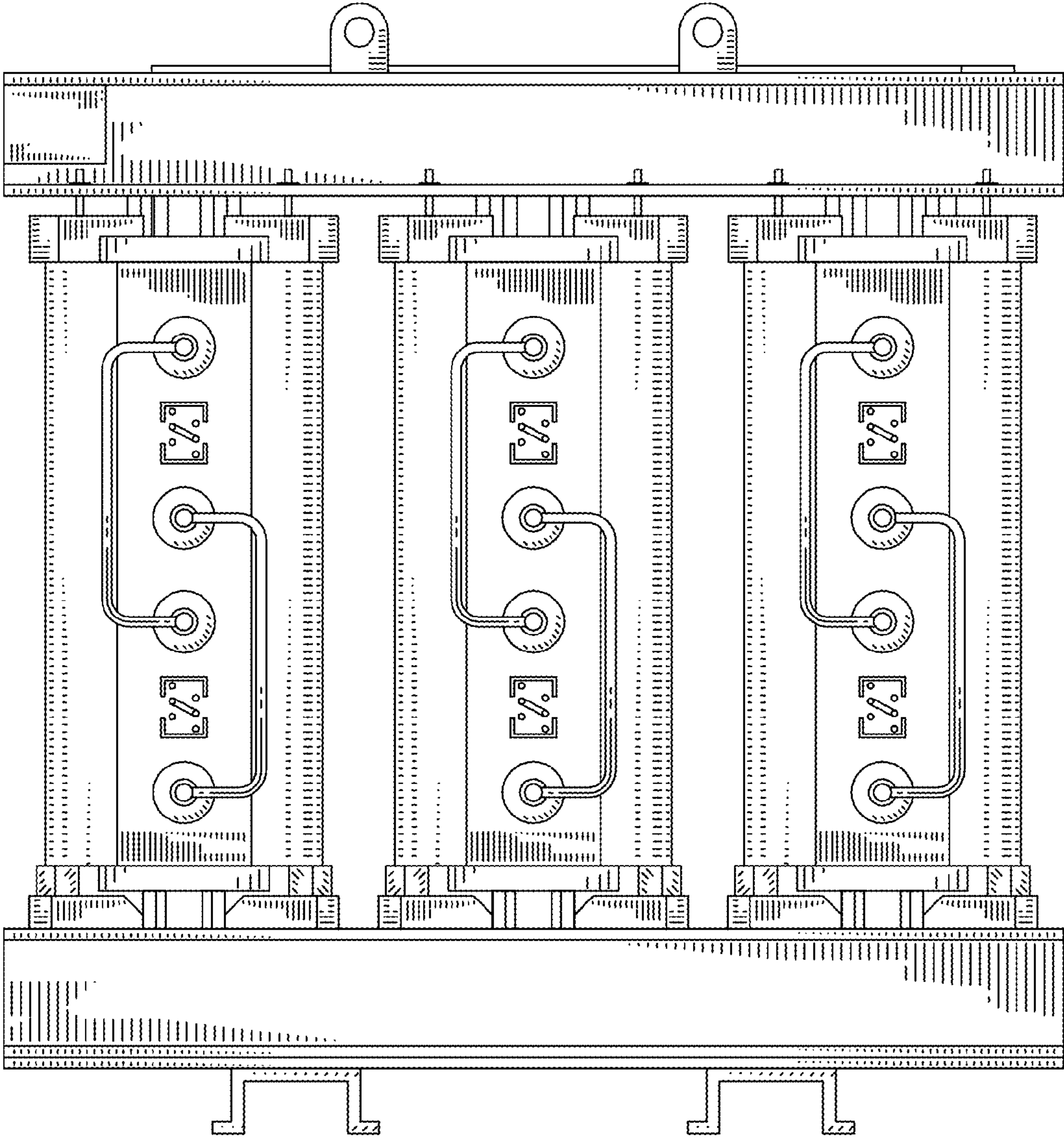


FIG. 2

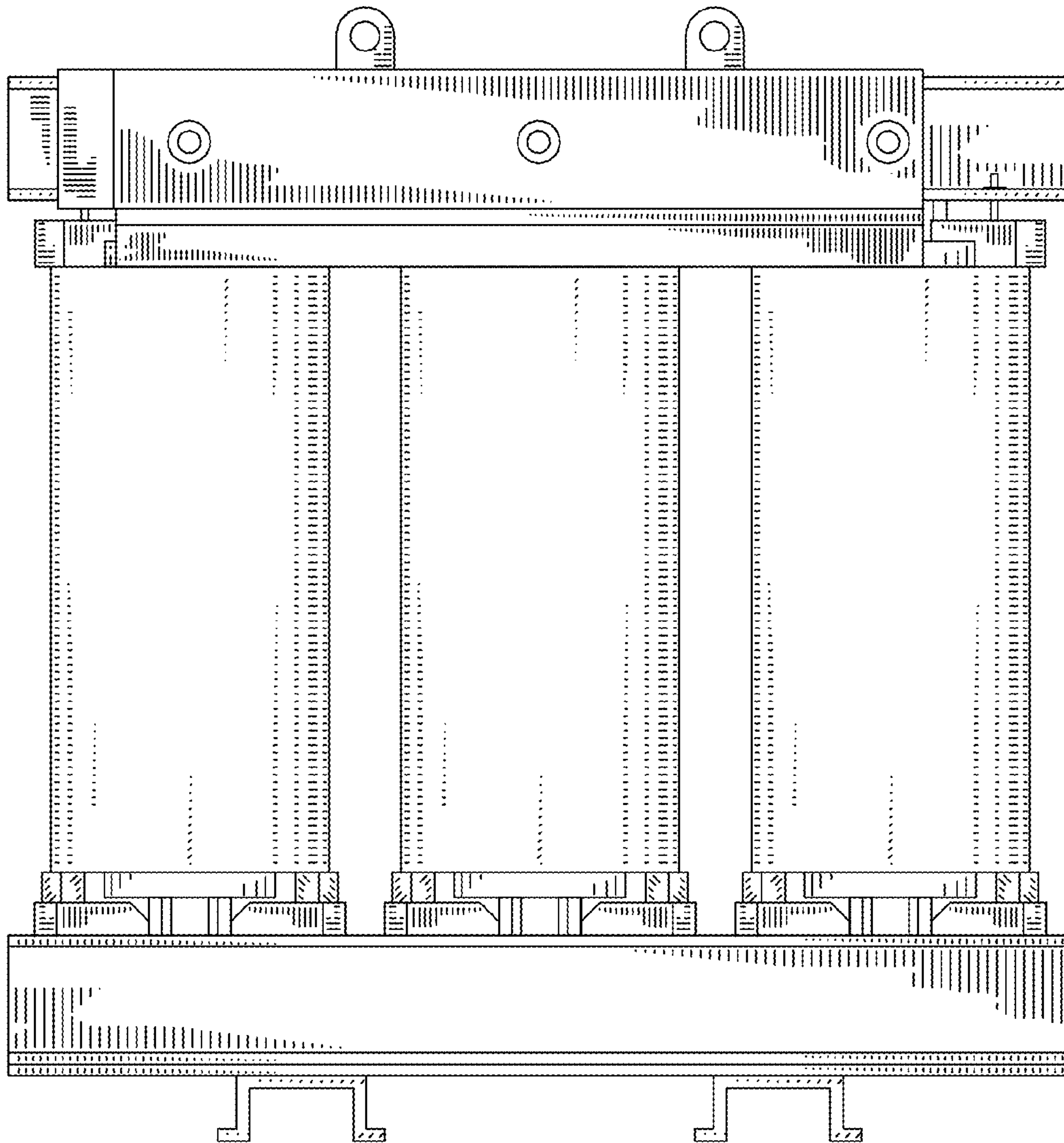


FIG. 3

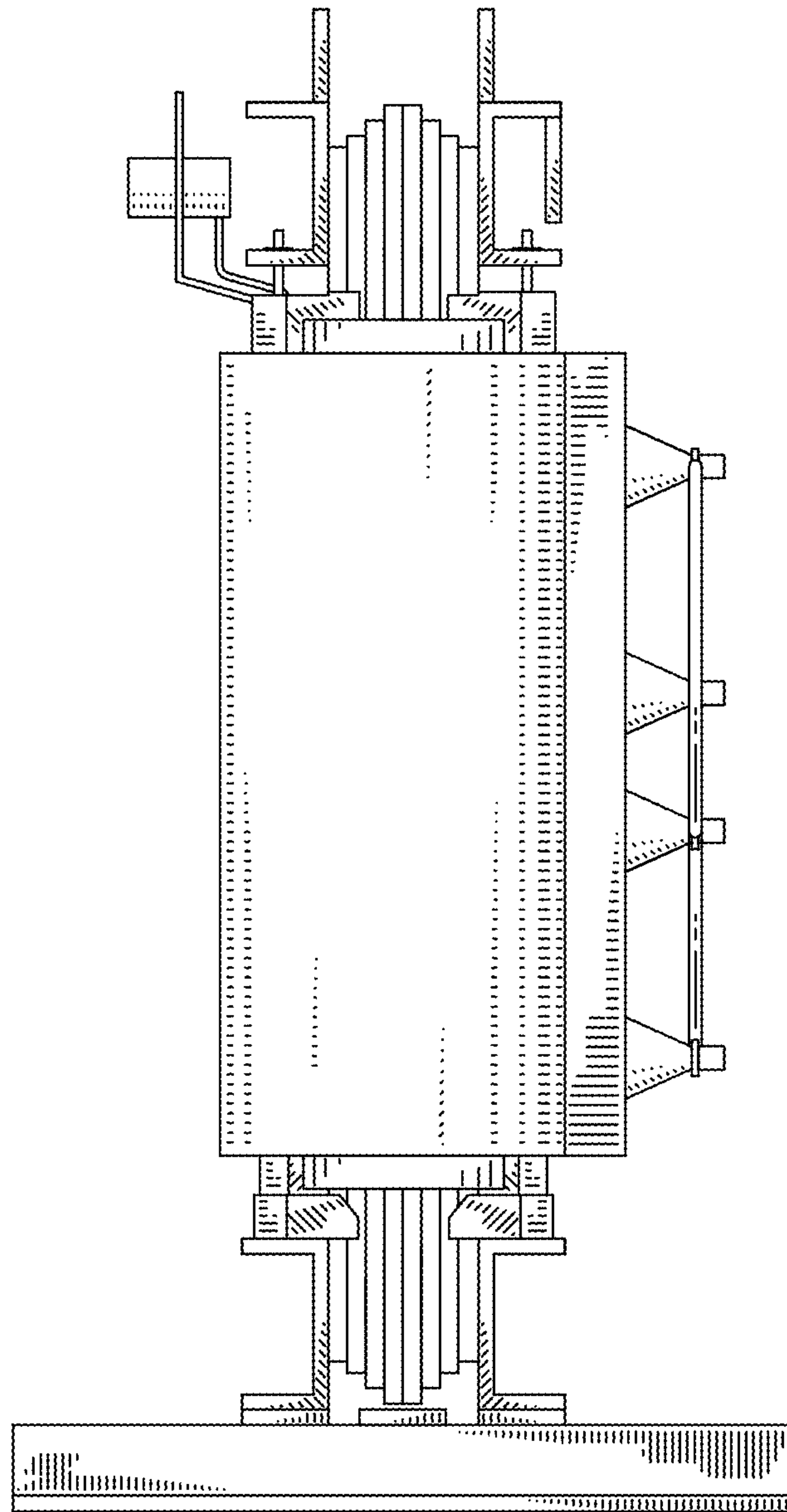


FIG. 4

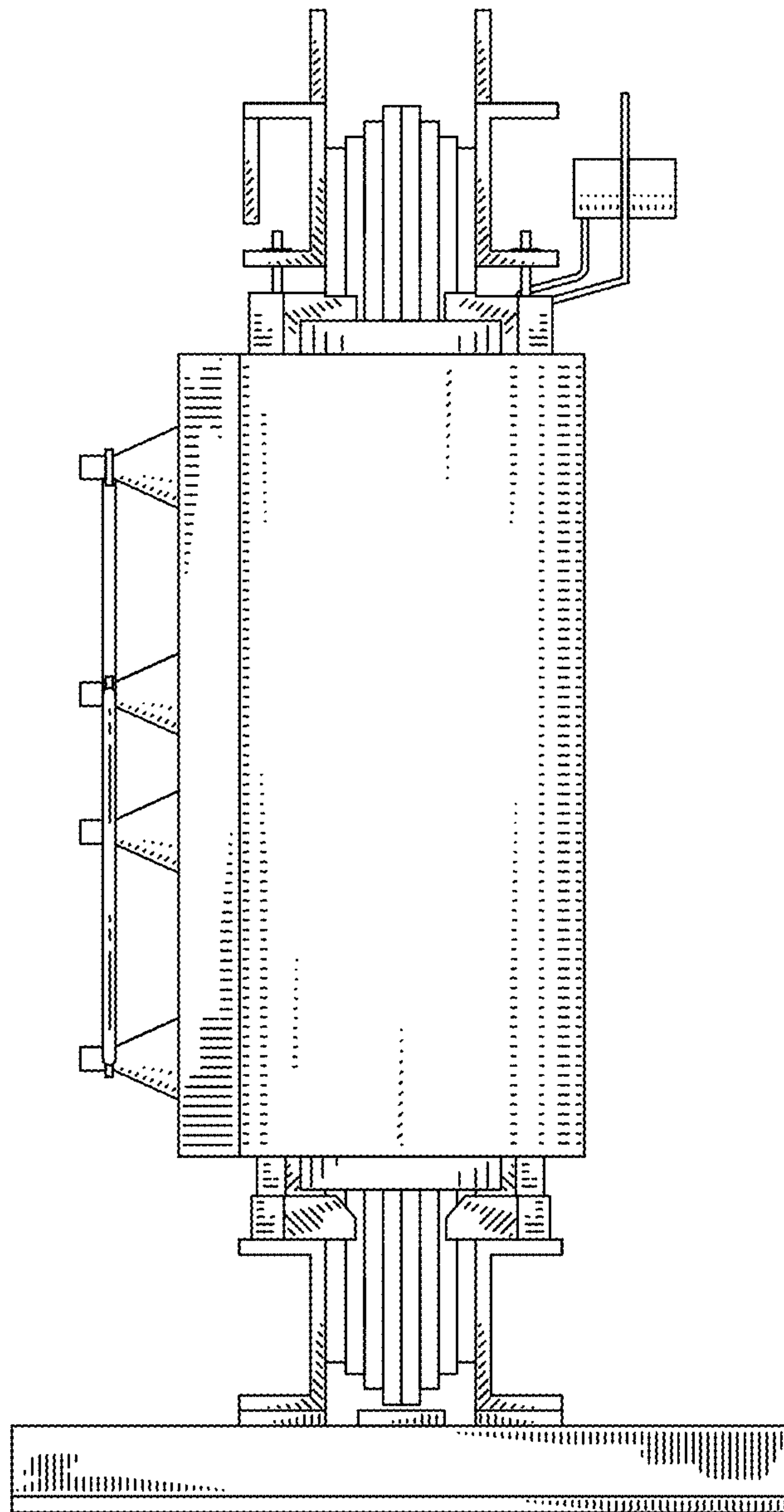


FIG. 5

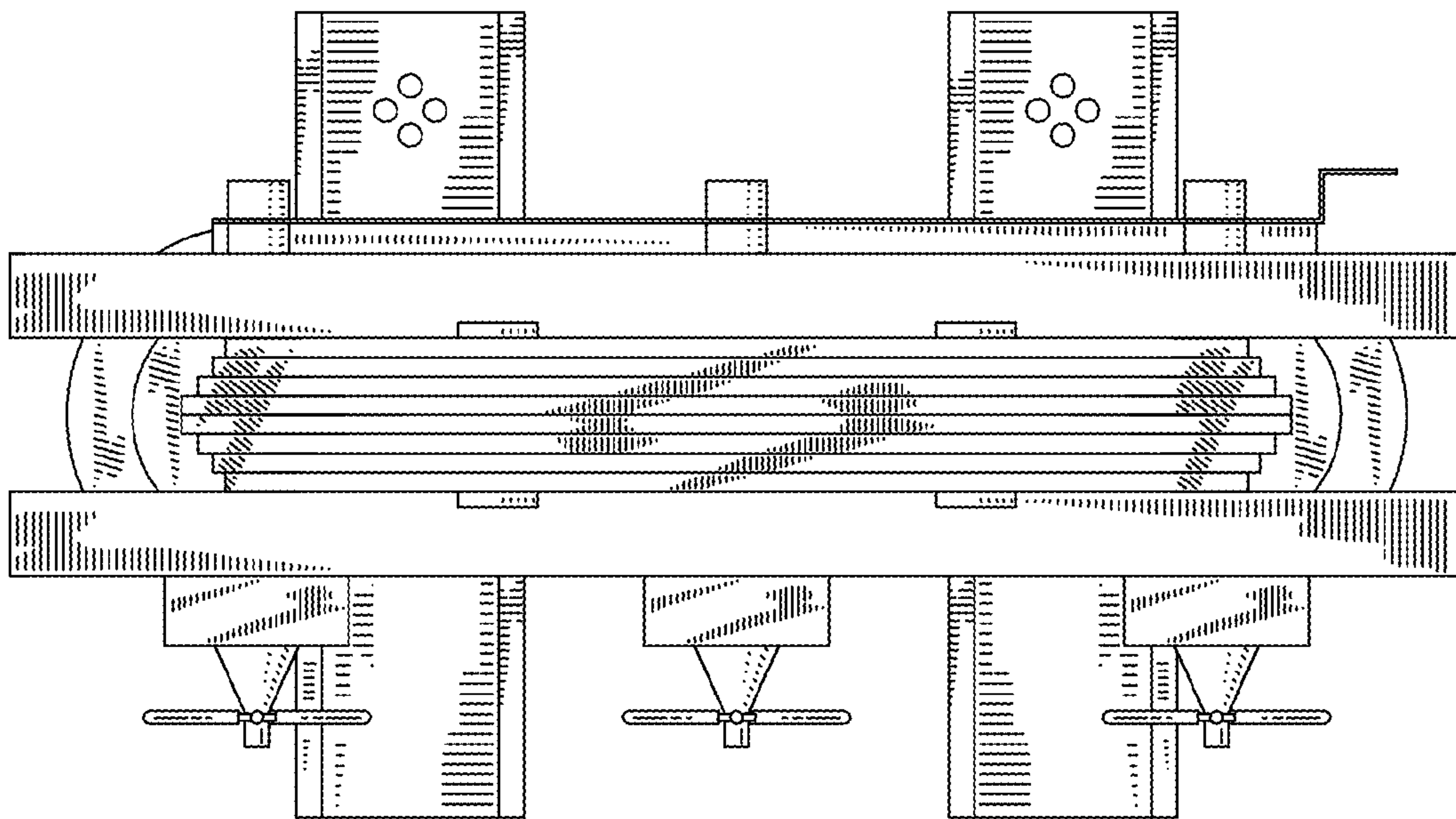


FIG. 6

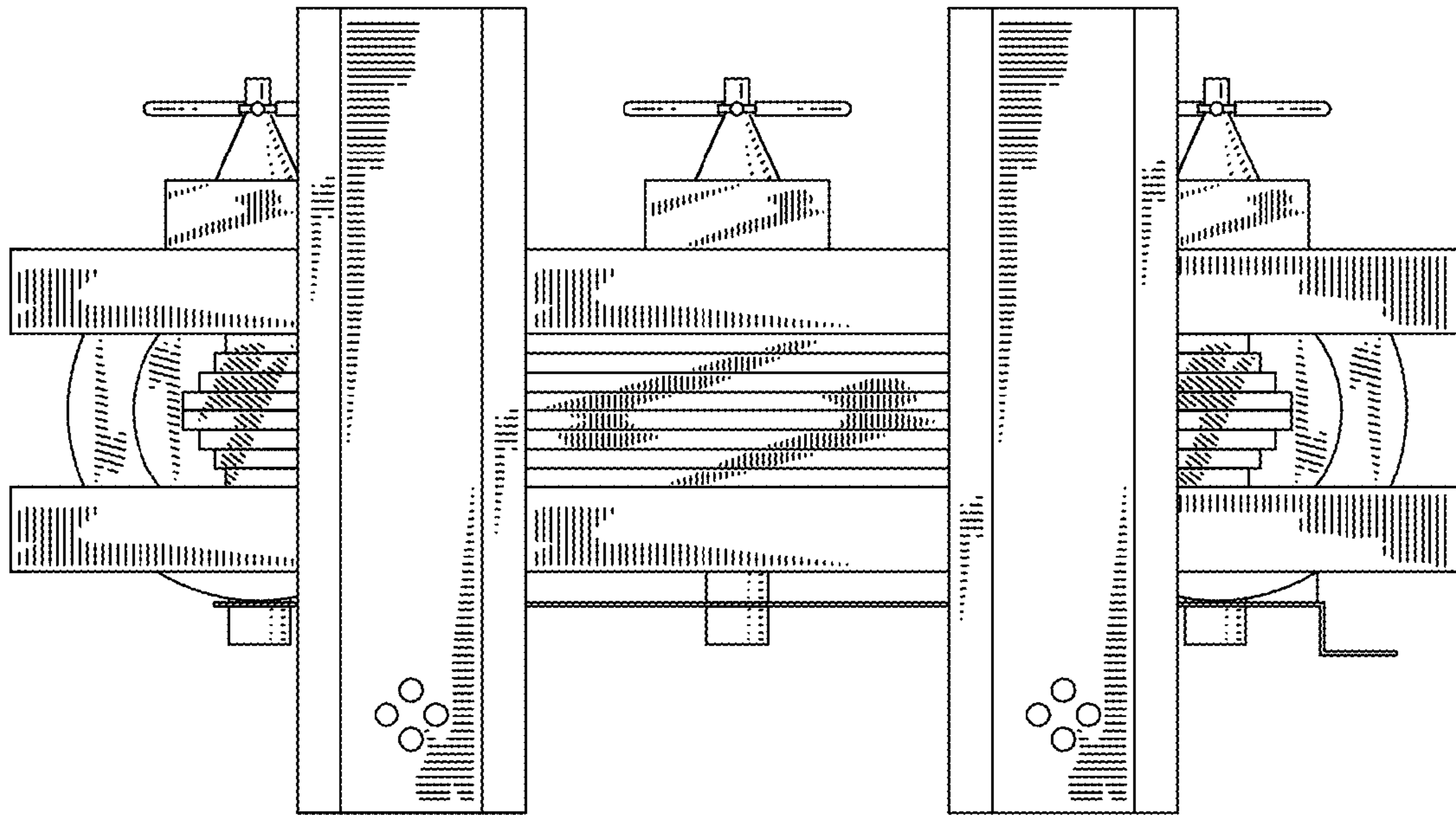


FIG. 7