

US00D712019S

(12) **United States Design Patent**
Wagner et al.

(10) **Patent No.:** **US D712,019 S**

(45) **Date of Patent:** **** Aug. 26, 2014**

(54) **ADAPTER PLATE FOR RAISED TOILET SEAT ASSEMBLY**

(75) Inventors: **Duane Richard Wagner**, Belle Fourche, SD (US); **Shane Henry Walz**, Sioux Falls, SD (US); **David Donovan Fravel**, Sioux Falls, SD (US)

(73) Assignee: **Carex Health Brands**, Sioux Falls, SD (US)

(**) Term: **14 Years**

(21) Appl. No.: **29/431,391**

(22) Filed: **Sep. 6, 2012**

(51) **LOC (10) Cl.** **23-02**

(52) **U.S. Cl.**
USPC **D23/311**

(58) **Field of Classification Search**
USPC D23/303, 309, 311-312, 259;
4/234-241, 252.1, 661; D8/354
See application file for complete search history.

(56) **References Cited**

U.S. PATENT DOCUMENTS

D150,306 S * 7/1948 Laufenberg D23/313
2,930,049 A * 3/1960 Minella D23/311
D243,655 S * 3/1977 Matousek et al. D8/354

D253,369 S * 11/1979 Koelble et al. D23/313
4,173,802 A * 11/1979 Wikstrom 4/236
4,477,932 A * 10/1984 Lenosky 4/239
4,964,179 A * 10/1990 Kimes 4/239
5,027,445 A 7/1991 Locarno
5,553,334 A * 9/1996 Hillman 4/249
D540,927 S * 4/2007 Plifka D23/309
D670,793 S * 11/2012 Marquis-Martin D23/259

* cited by examiner

Primary Examiner — Robert Delehanty

(74) *Attorney, Agent, or Firm* — Miller Nash LLP; Lance D. Reich

(57) **CLAIM**

The ornamental design for an adapter plate for a raised toilet seat assembly, substantially as shown and described.

DESCRIPTION

FIG. 1 is a depiction of a perspective view of the adapter plate for a raised toilet seat assembly.

FIG. 2 is a depiction of a top view thereof.

FIG. 3 is a depiction of a front view thereof.

FIG. 4 is a depiction of a back view thereof.

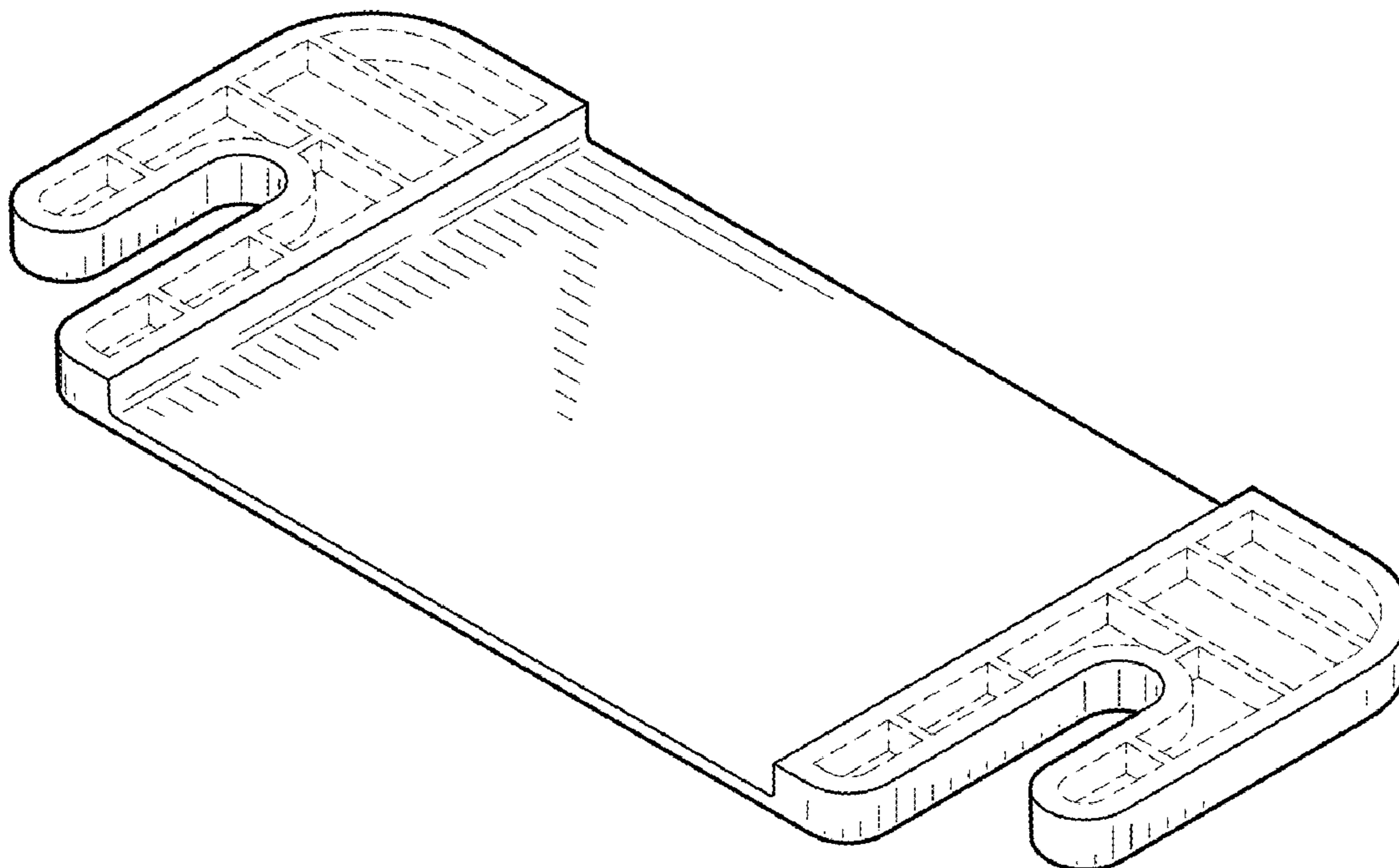
FIG. 5 is a depiction of a bottom view thereof.

FIG. 6 is a depiction of a side view thereof; and,

FIG. 7 is a depiction of a side view thereof.

The broken lines shown in the drawings are included for the purpose of illustrating a portion of the plate and form no part of the claimed design.

1 Claim, 4 Drawing Sheets



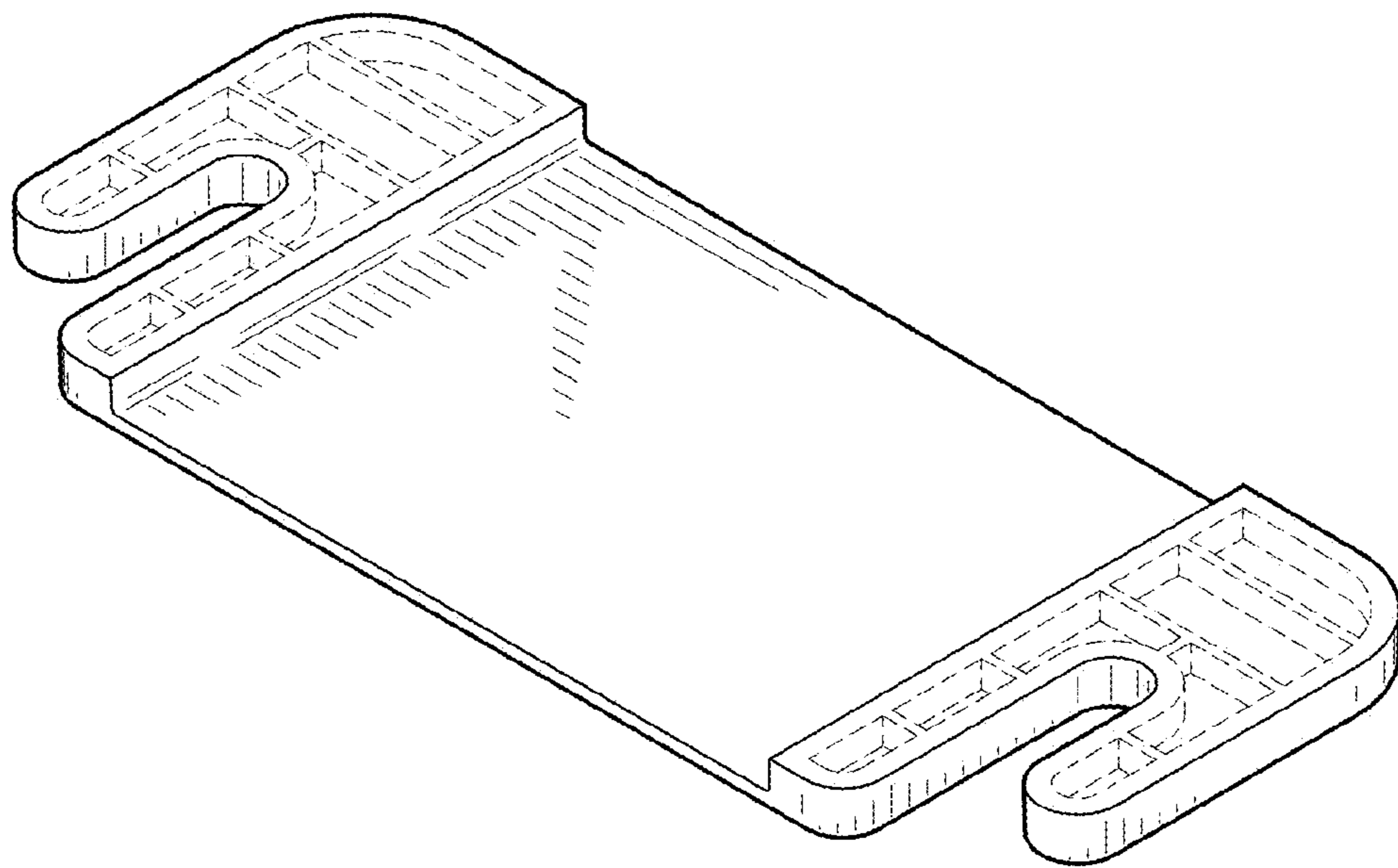


FIG.1

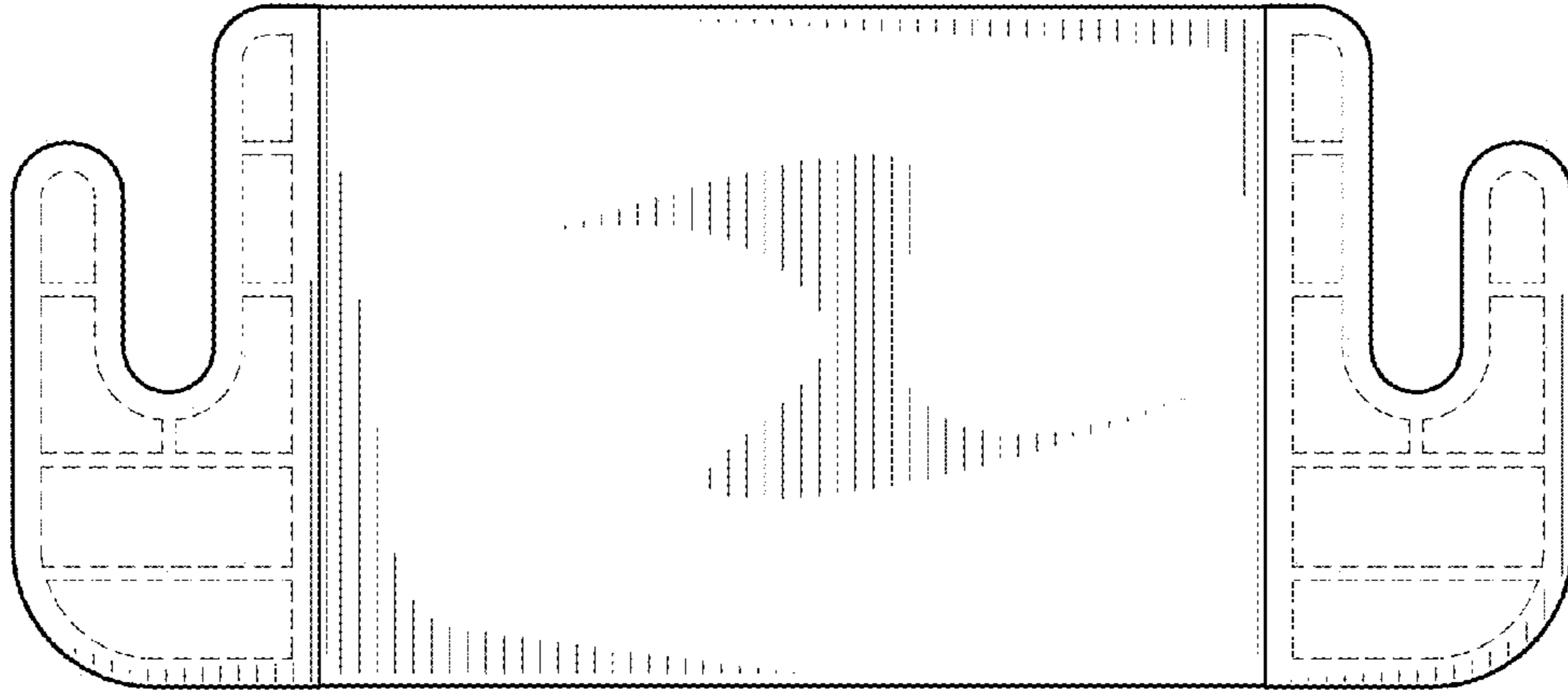


FIG. 2



FIG. 3

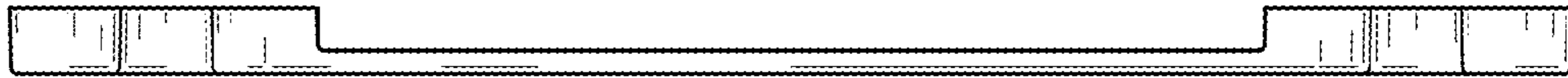


FIG. 4

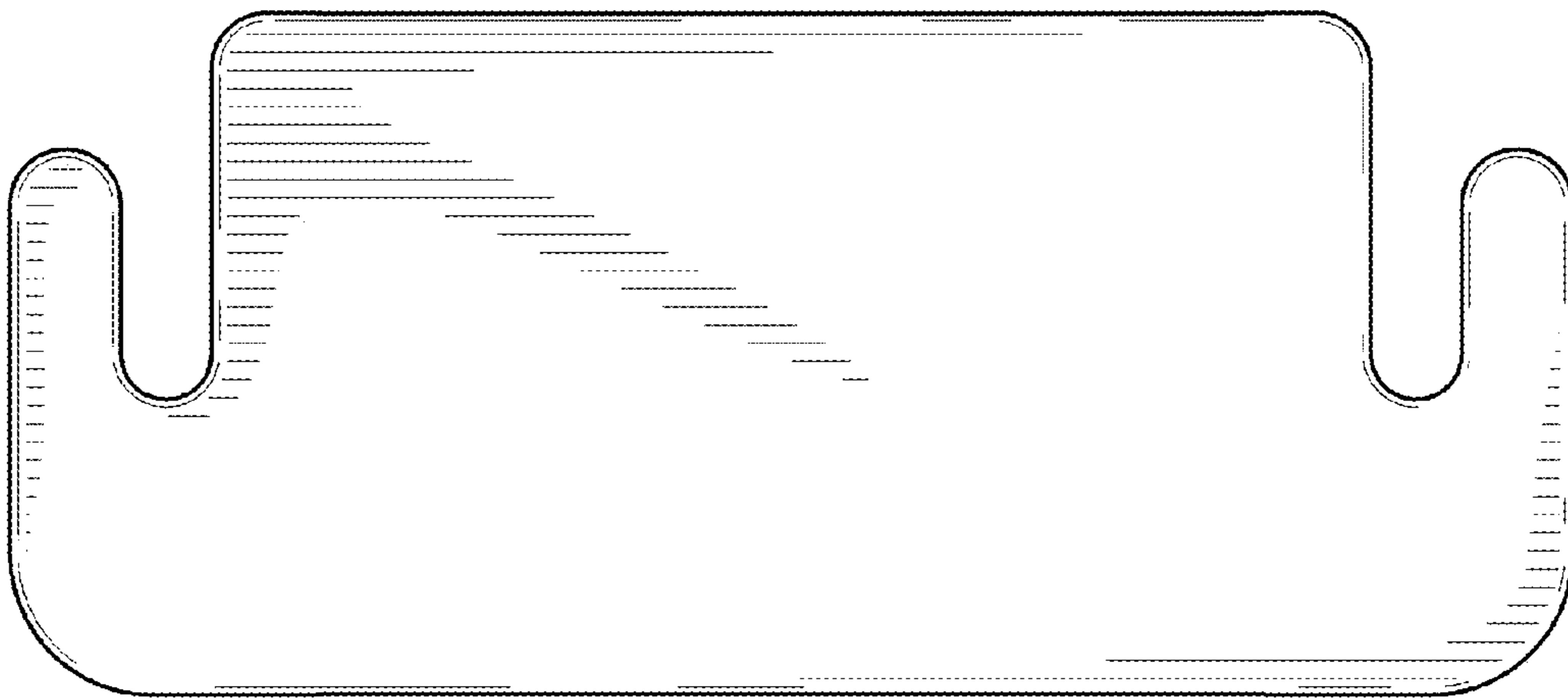


FIG. 5



FIG. 6



FIG. 7