



US00D712016S

(12) **United States Design Patent**
Spangler

(10) **Patent No.:** **US D712,016 S**

(45) **Date of Patent:** **** Aug. 26, 2014**

(54) **TOILET**

(71) Applicant: **Masco Corporation of Indiana,**
Indianapolis, IN (US)

(72) Inventor: **Anthony Spangler,** Indianapolis, IN
(US)

(73) Assignee: **Masco Corporation of Indiana,**
Indianapolis, IN (US)

(**) Term: **14 Years**

(21) Appl. No.: **29/457,217**

(22) Filed: **Jun. 7, 2013**

(51) **LOC (10) Cl.** **23-02**

(52) **U.S. Cl.**
USPC **D23/301**

(58) **Field of Classification Search**
USPC D23/295, 303, 309, 299, 301, 313, 311;
4/300, 420, 353, 460, 234, 242.1, 237,
4/239

See application file for complete search history.

(56) **References Cited**

U.S. PATENT DOCUMENTS

D594,944 S *	6/2009	Starck	D23/301
D622,828 S *	8/2010	Soulier	D23/295
D646,366 S *	10/2011	Palomba et al.	D23/301
D683,437 S *	5/2013	Newson	D23/301

* cited by examiner

Primary Examiner — Robert Delehanty

(74) *Attorney, Agent, or Firm* — Edgar A. Zarins; Nirav D. Parikh

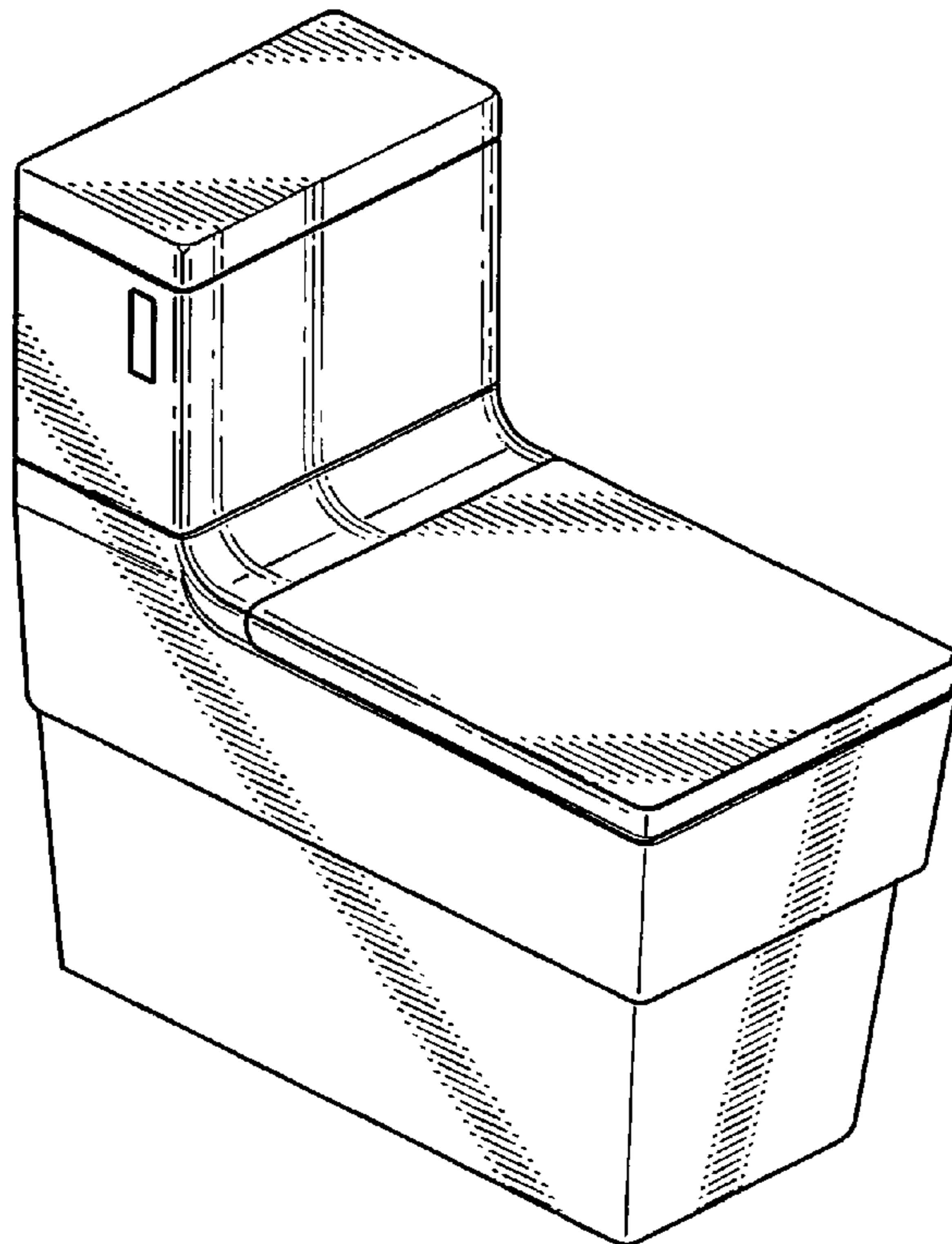
(57) **CLAIM**

The ornamental design for a toilet, as shown and described.

DESCRIPTION

FIG. 1 is a perspective view of a toilet showing my new design;
FIG. 2 is a front elevational view thereof;
FIG. 3 is a top plan view thereof;
FIG. 4 is a right side view thereof;
FIG. 5 is a bottom view thereof; and,
FIG. 6 is a left side view thereof.
The broken line shown in the drawing is included for the purpose of illustrating a portion of the toilet that forms no part of the claimed design.

1 Claim, 3 Drawing Sheets



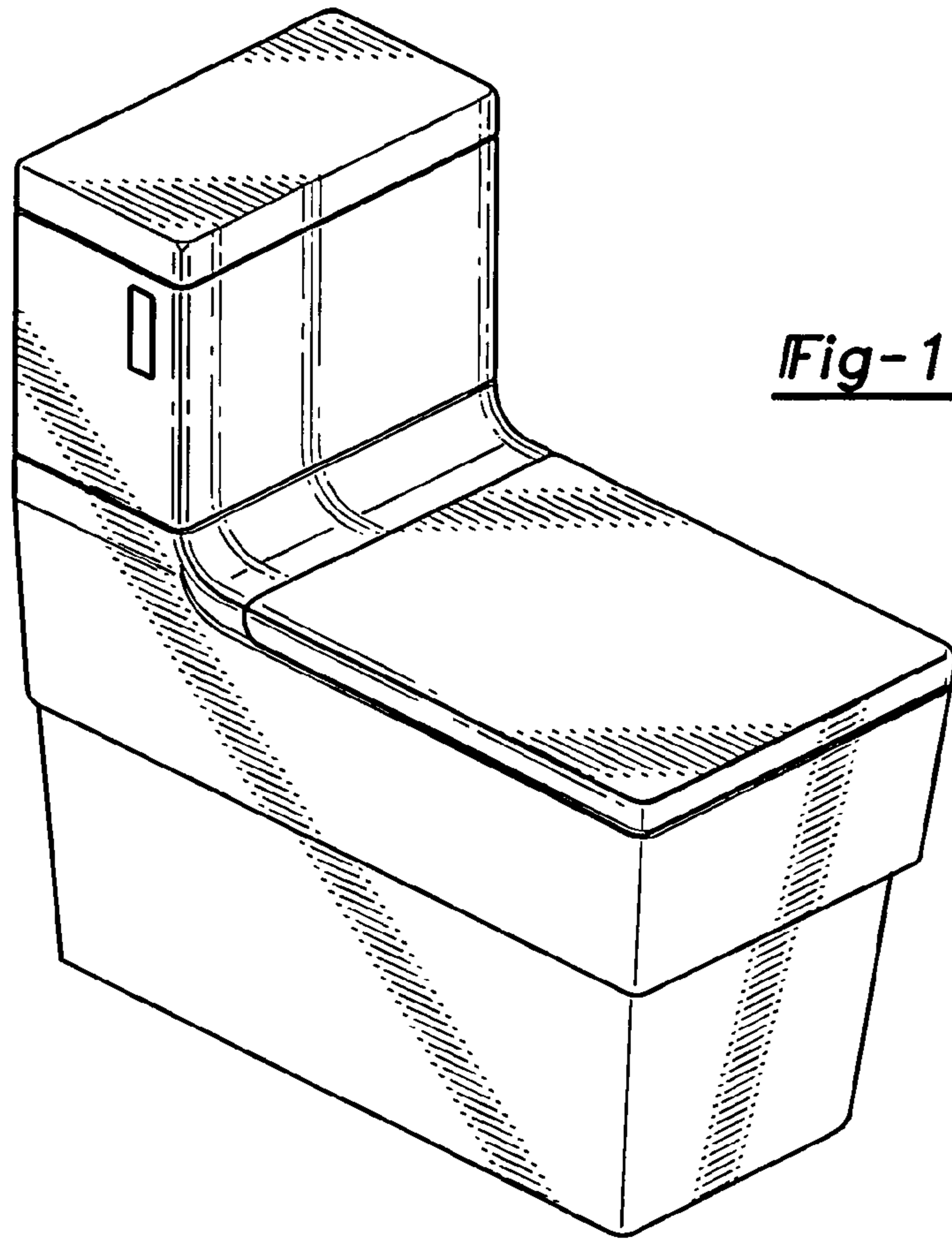


Fig-1

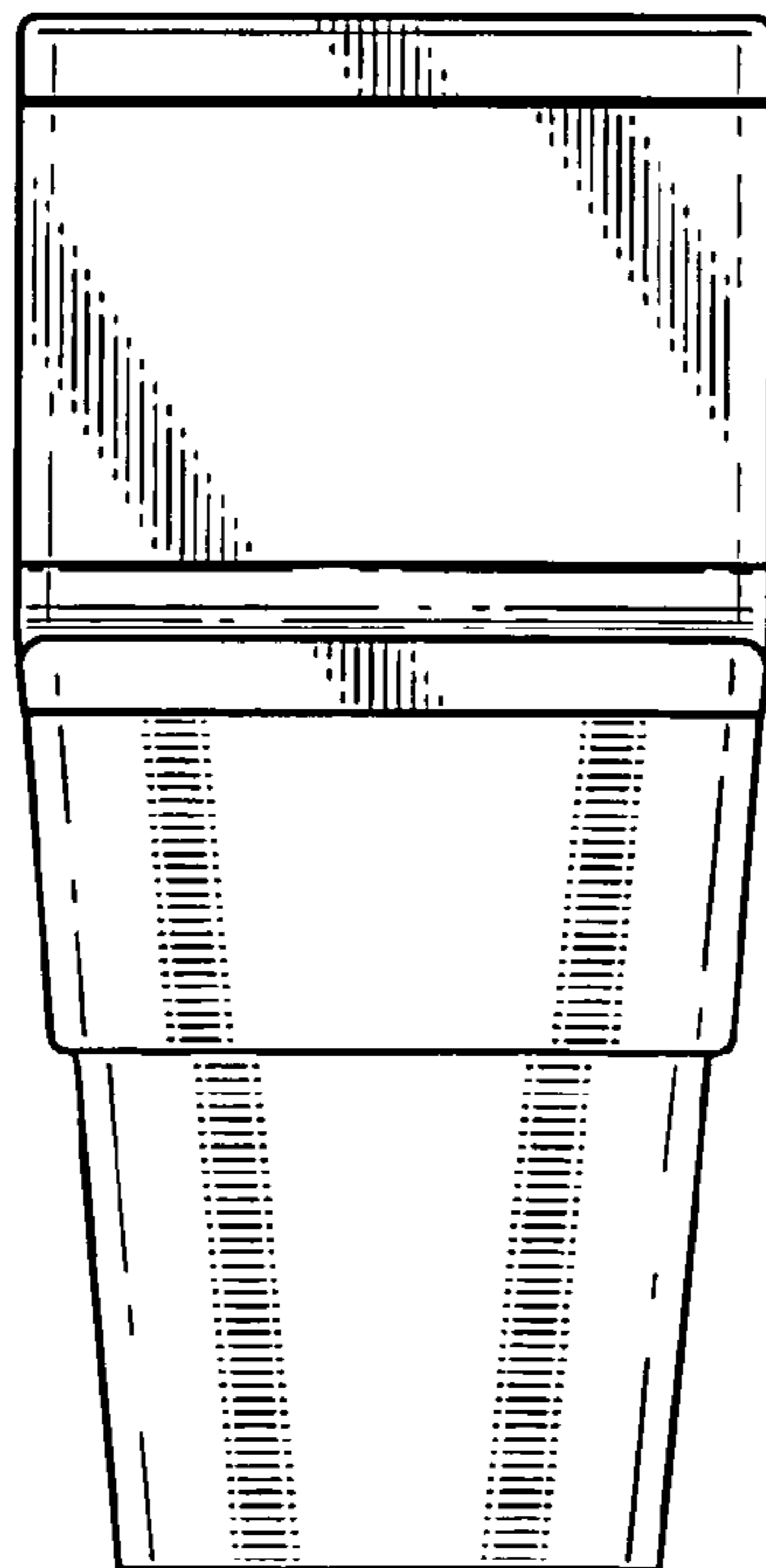


Fig-2

Fig-3

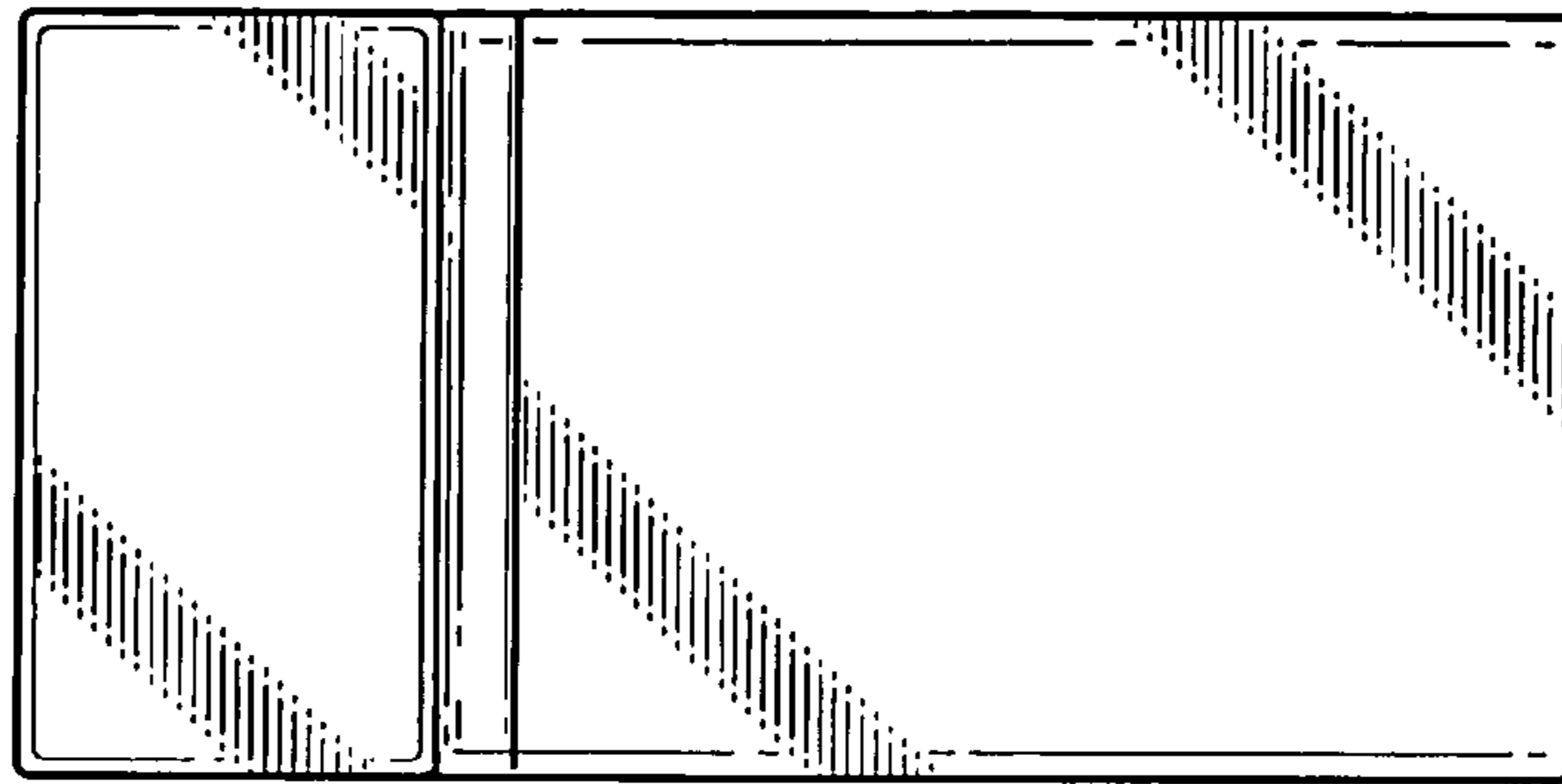


Fig-4

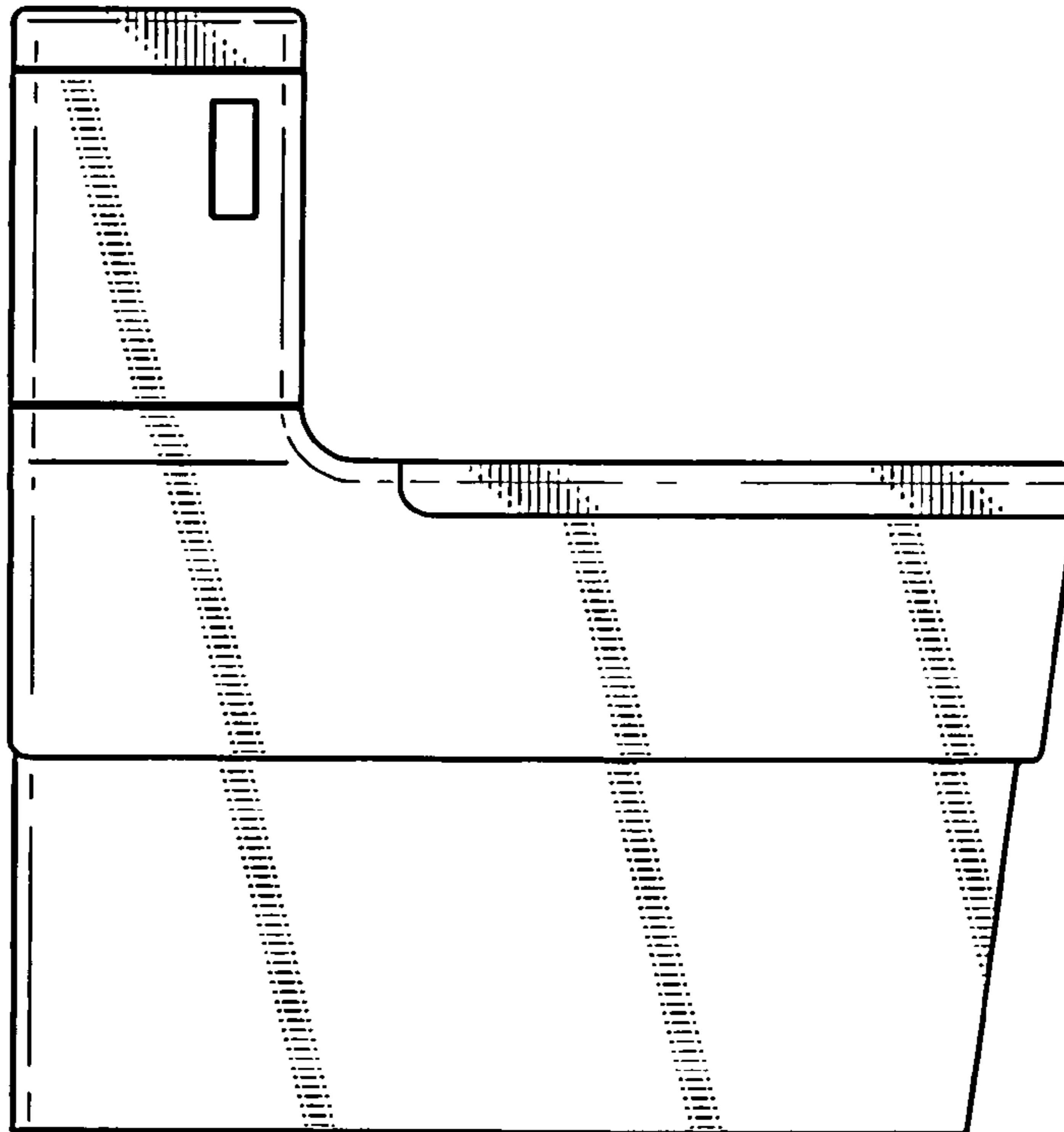
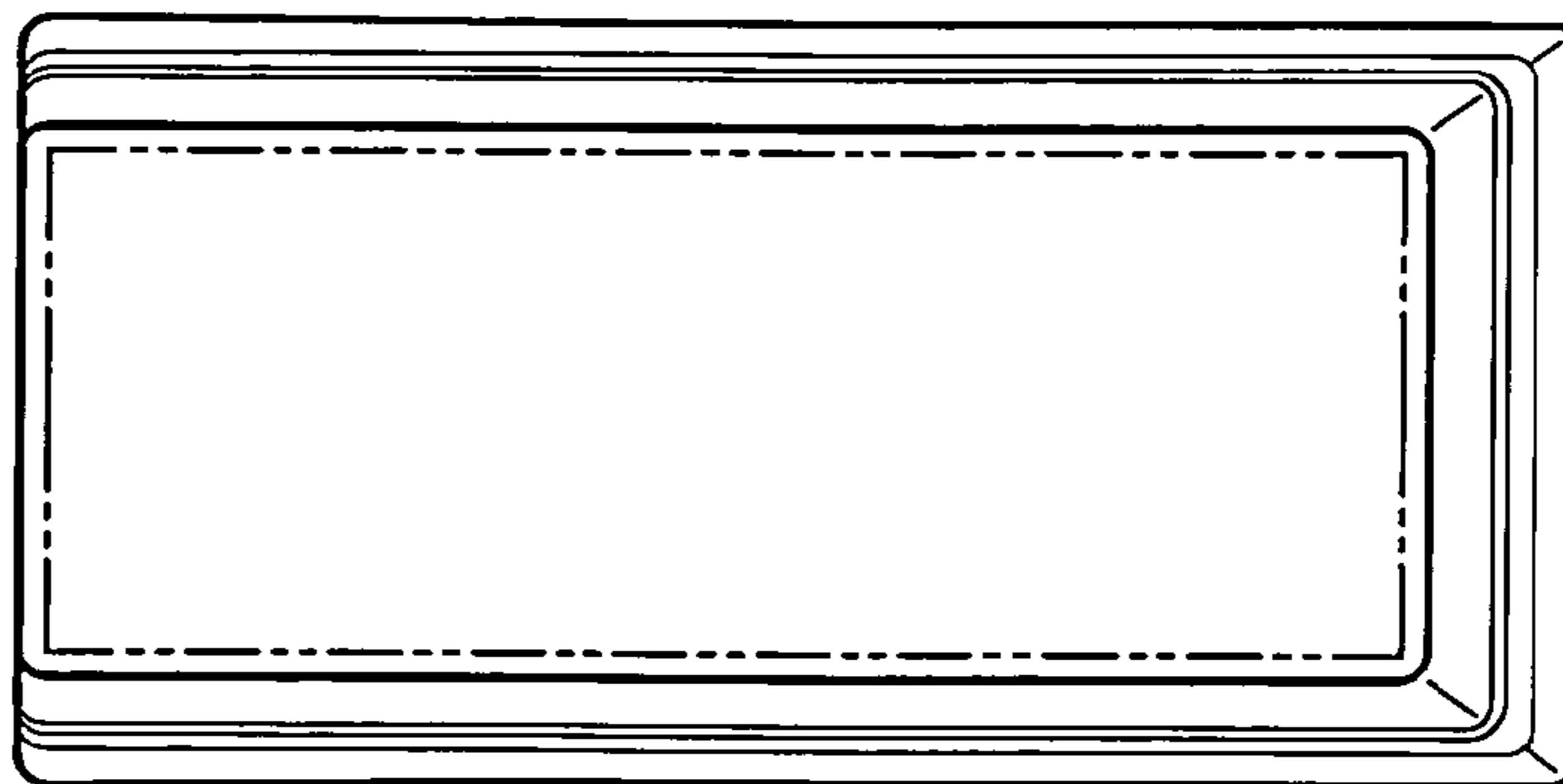


Fig-5



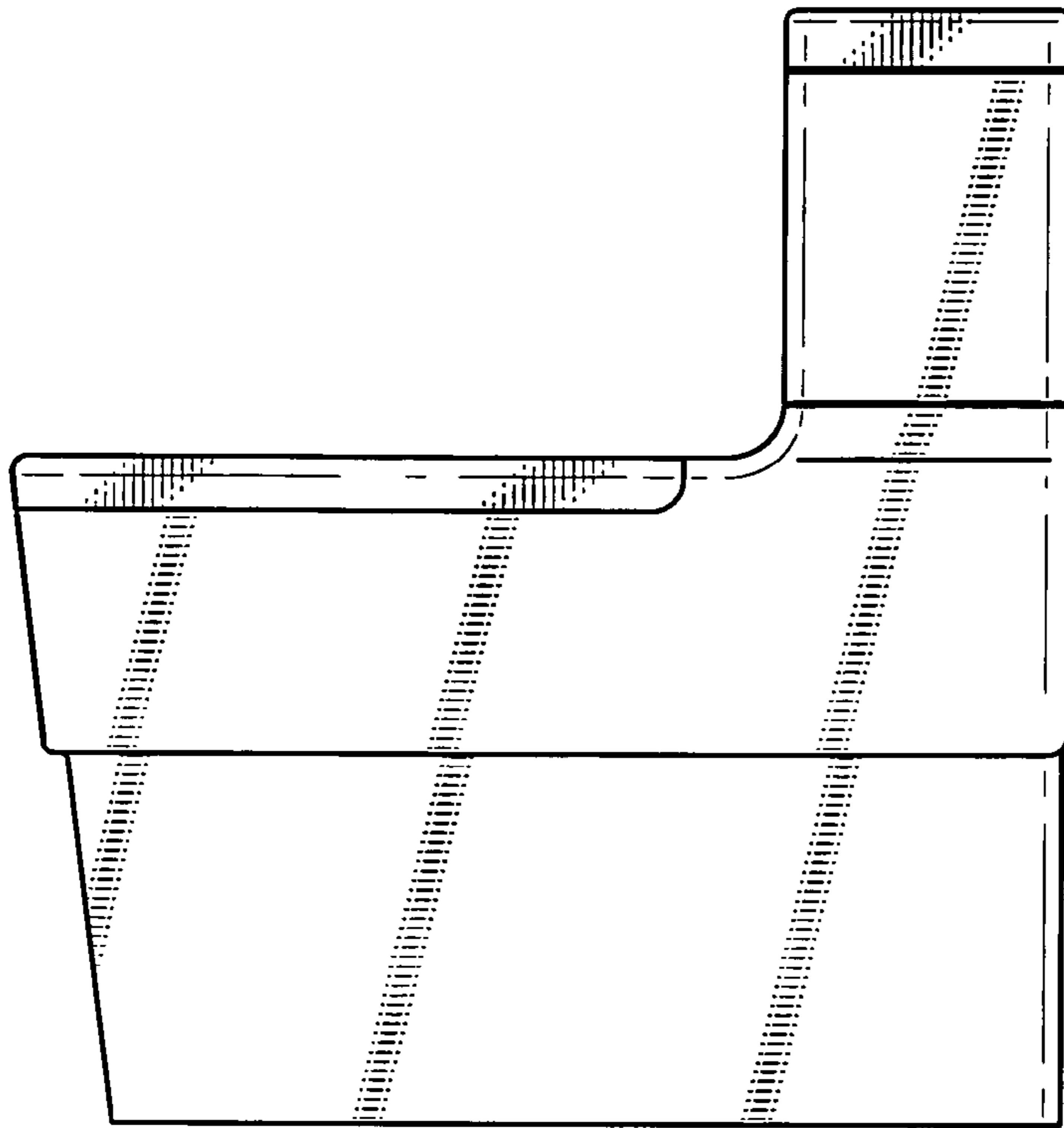


Fig-6