



US00D712015S

(12) **United States Design Patent**
Yu

(10) **Patent No.:** **US D712,015 S**
(45) **Date of Patent:** **** Aug. 26, 2014**

- (54) **PIPE CONNECTOR**
- (75) Inventor: **Vincent Yu**, Changhua County (TW)
- (73) Assignee: **Bitspower International Co., Ltd.**,
Changhua County (TW)
- (**) Term: **14 Years**
- (21) Appl. No.: **29/413,047**
- (22) Filed: **Feb. 10, 2012**
- (51) **LOC (10) Cl.** **23-01**
- (52) **U.S. Cl.**
USPC **D23/263**
- (58) **Field of Classification Search**
USPC D23/259, 262, 263; 285/915, 11-12, 7,
285/177, 394, 395, 307, 179, 179.1, 133.11,
285/133.12, 423, 358, 903
See application file for complete search history.

5,524,674	A *	6/1996	Platusich et al.	138/113
6,499,771	B1 *	12/2002	Snyder et al.	285/319
D586,433	S *	2/2009	Price et al.	D23/259
D615,631	S *	5/2010	Price et al.	D23/263
D665,062	S *	8/2012	Ball	D23/263
D705,402	S *	5/2014	Yu	D23/262
2007/0007763	A1 *	1/2007	Deaton	285/179

* cited by examiner

Primary Examiner — Eric Goodman

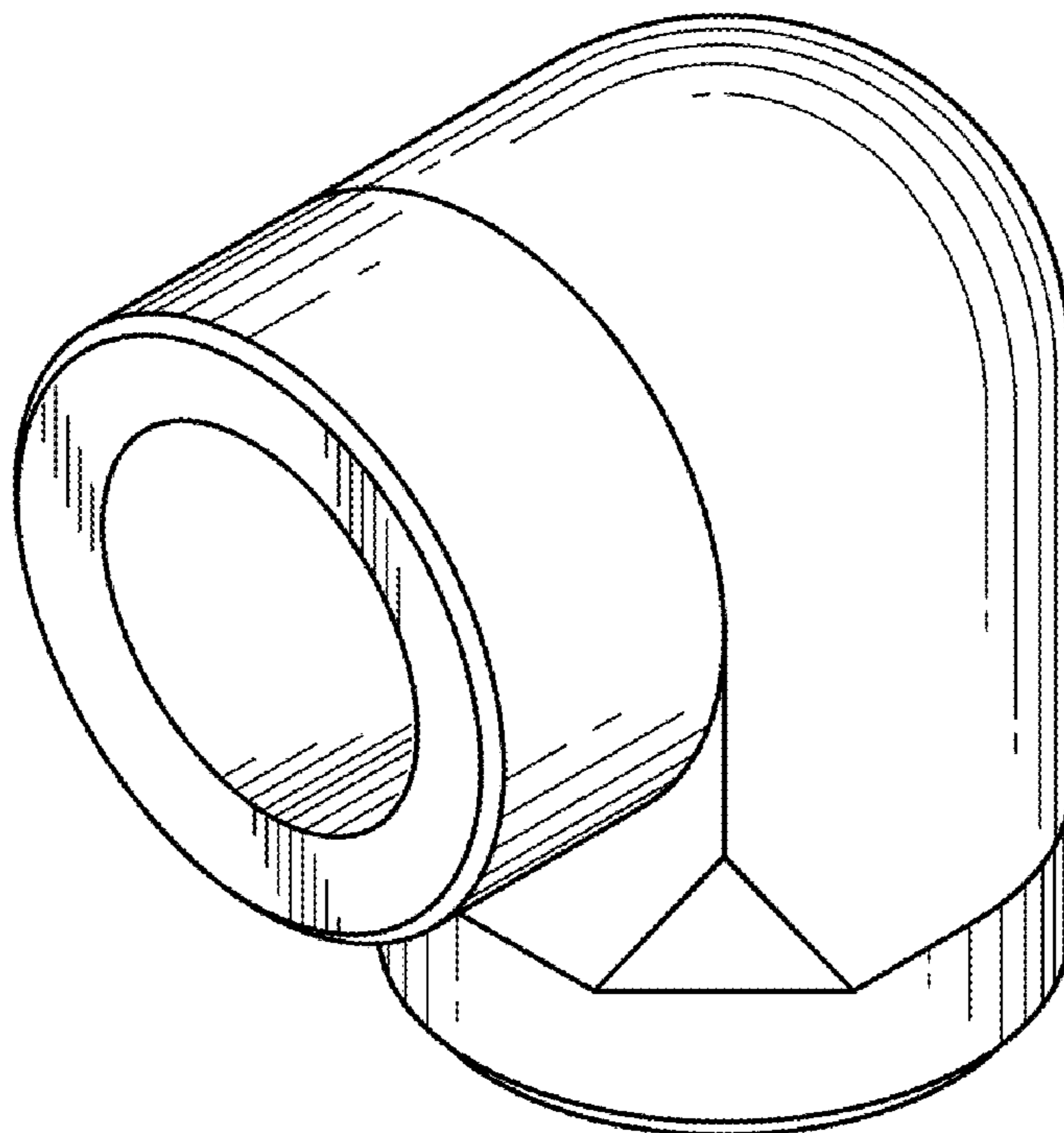
(57) **CLAIM**
The ornamental design for a pipe connector, as shown and described.

DESCRIPTION

FIG. 1 is a perspective view of a pipe connector showing my new design;
 FIG. 2 is a front elevational view thereof;
 FIG. 3 is a rear elevational view thereof;
 FIG. 4 is a left side view thereof;
 FIG. 5 is a right side view thereof;
 FIG. 6 is a top plan view thereof;
 FIG. 7 is a bottom plan view thereof; and,
 FIG. 8 is a perspective view thereof, wherein the pipe connector is interposed between two pipes.
 The broken line showing in FIG. 8 is for the purpose of illustrating environment and for no part of the claimed design.

1 Claim, 5 Drawing Sheets

- (56) **References Cited**
U.S. PATENT DOCUMENTS
- | | | | | | |
|-----------|-----|---------|------------------|-------|------------|
| 1,518,599 | A * | 12/1924 | Murray | | 29/890.148 |
| 1,897,079 | A * | 2/1933 | Smith | | 219/104 |
| 1,969,588 | A * | 8/1934 | Sweet | | 285/238 |
| D132,939 | S * | 6/1942 | Corley | | D23/263 |
| 4,363,681 | A * | 12/1982 | Williams | | 156/64 |
| 5,366,257 | A * | 11/1994 | McPherson et al. | | 285/148.11 |



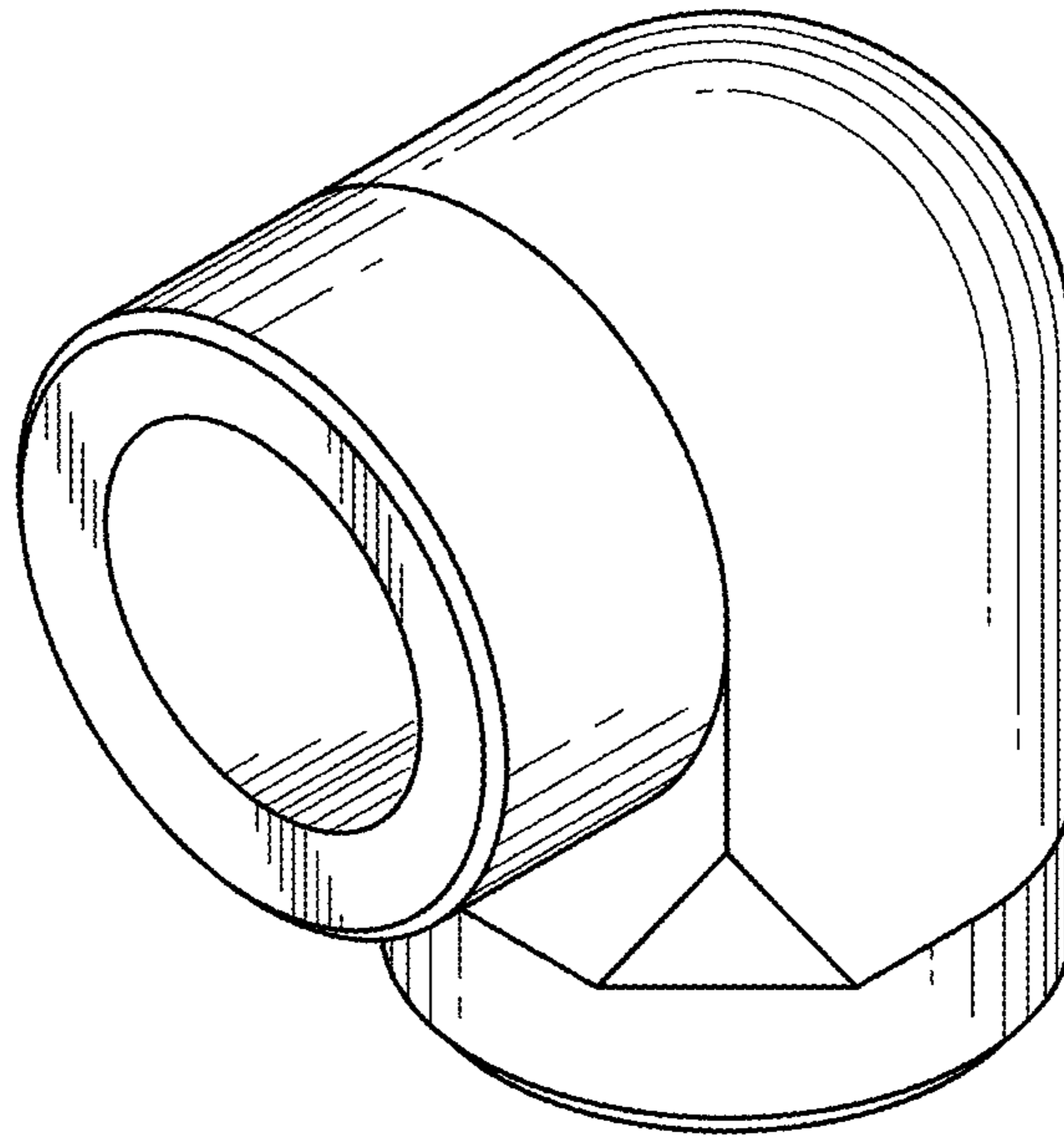


FIG. 1

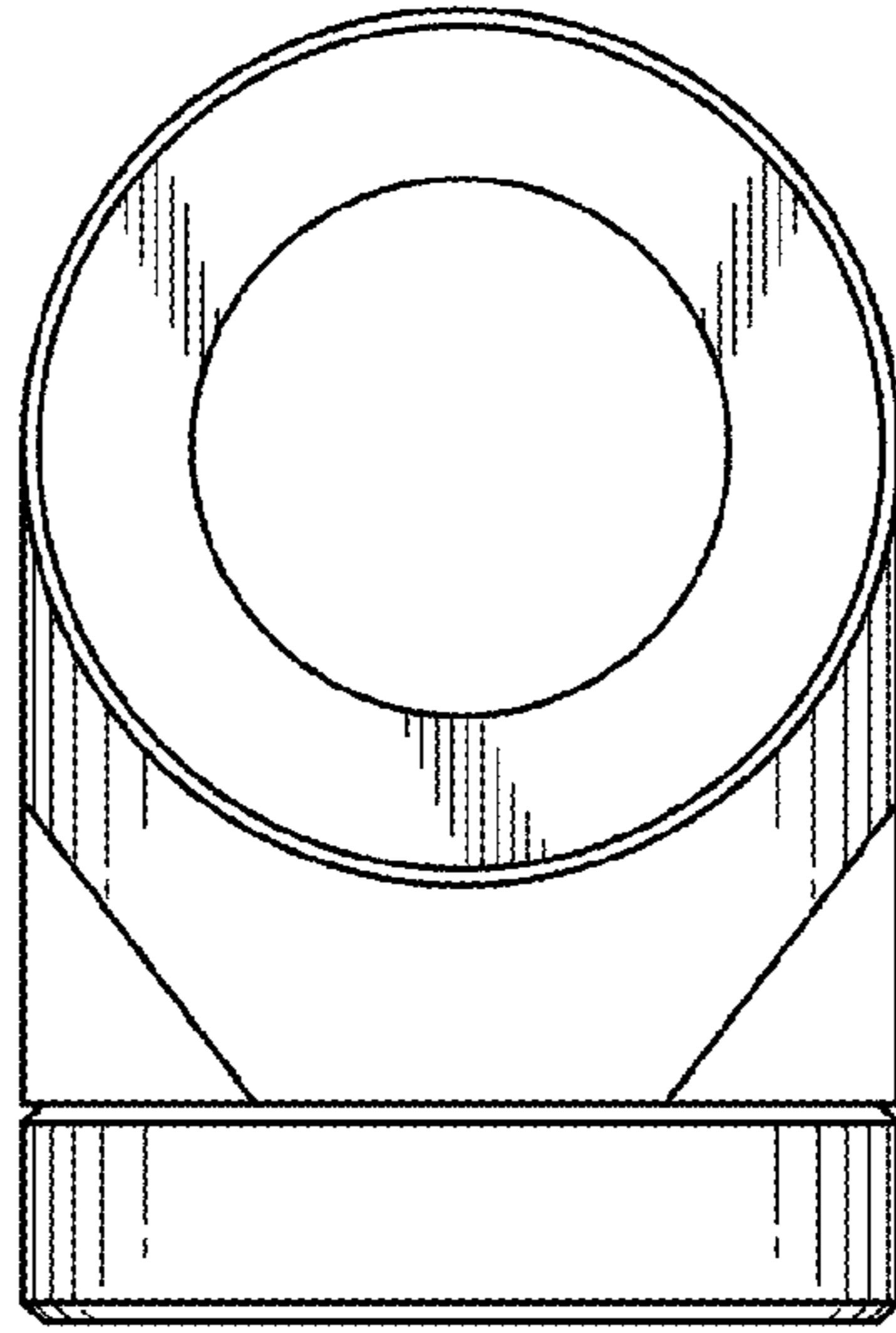


FIG. 2

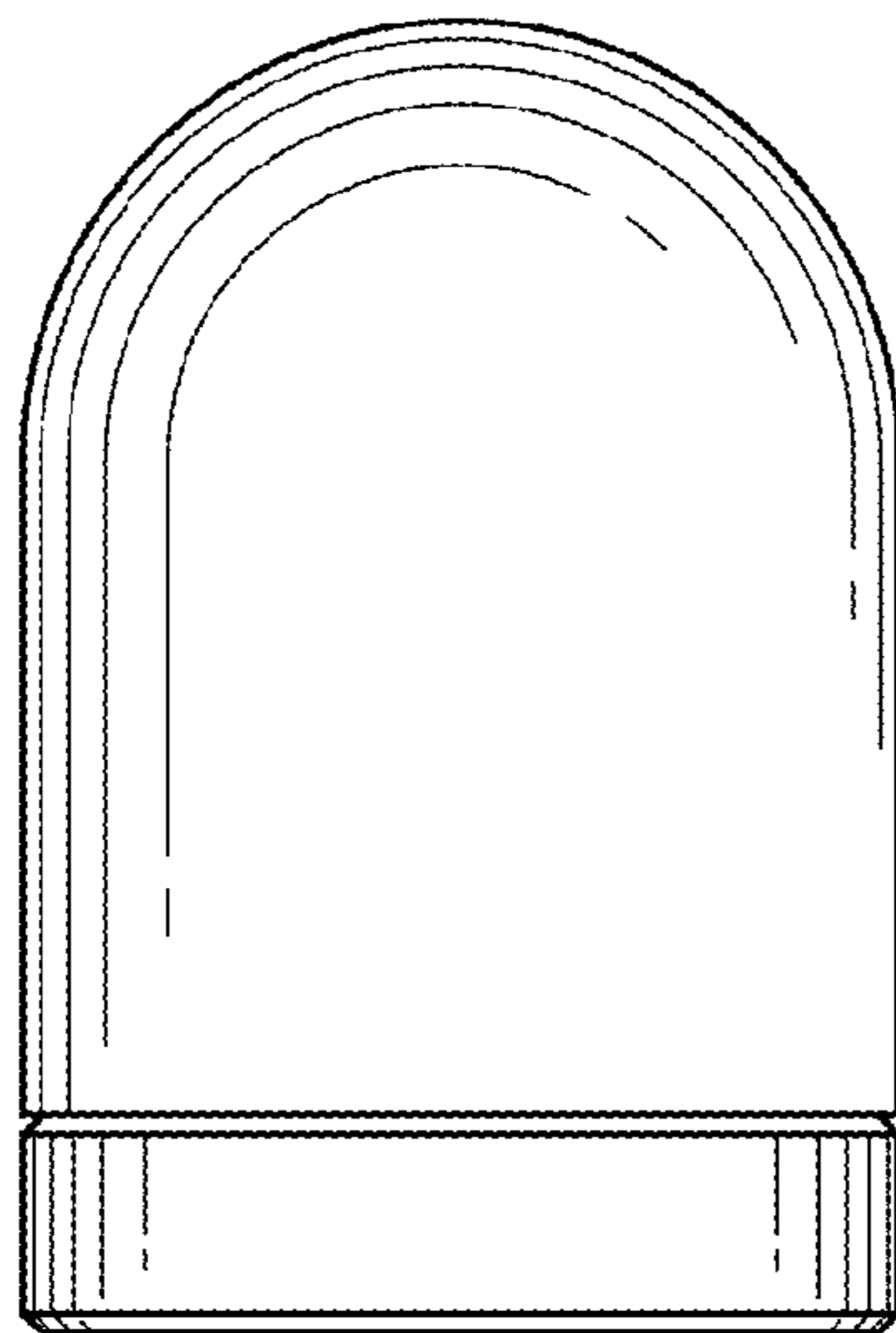


FIG. 3

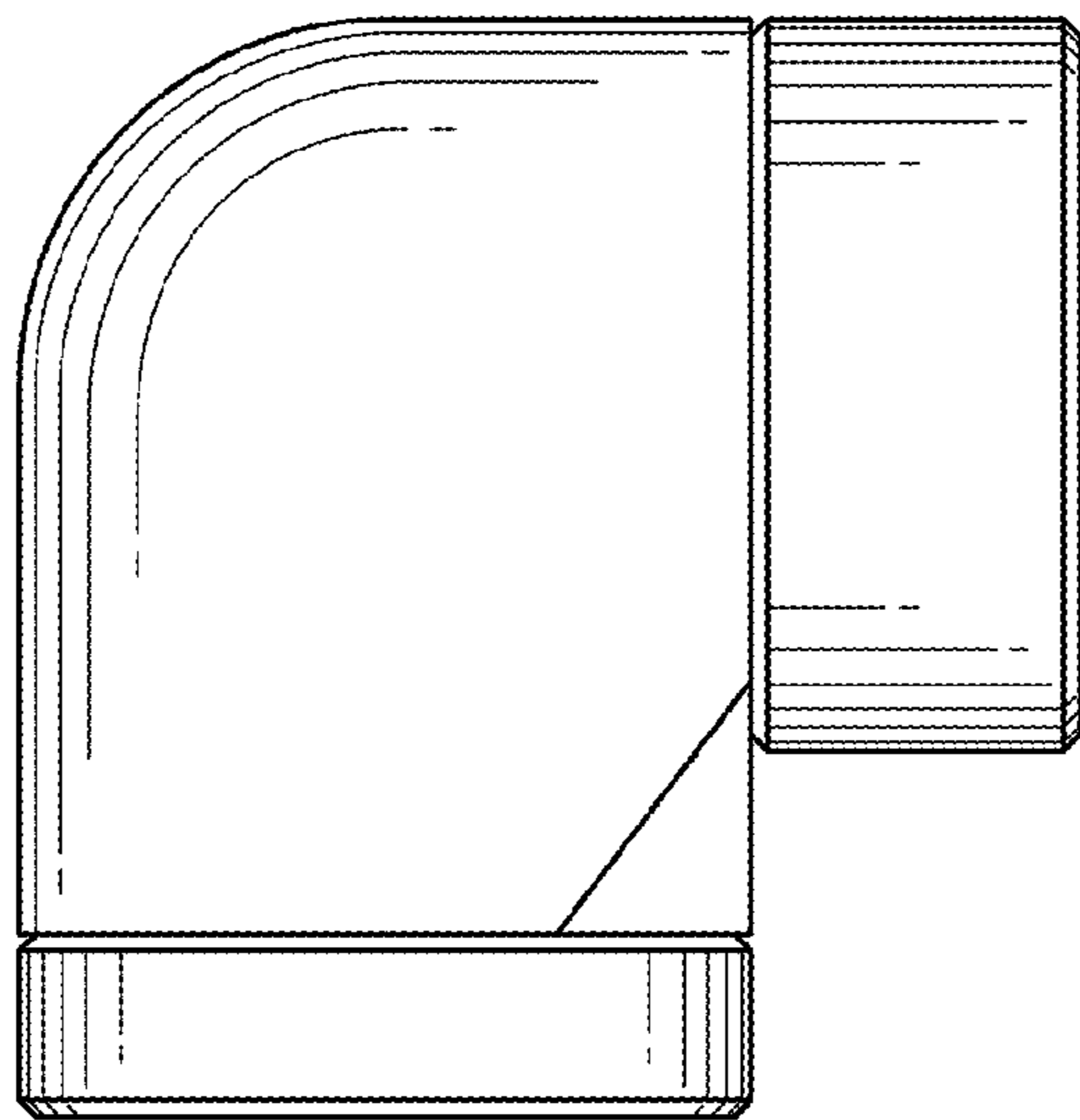


FIG. 4

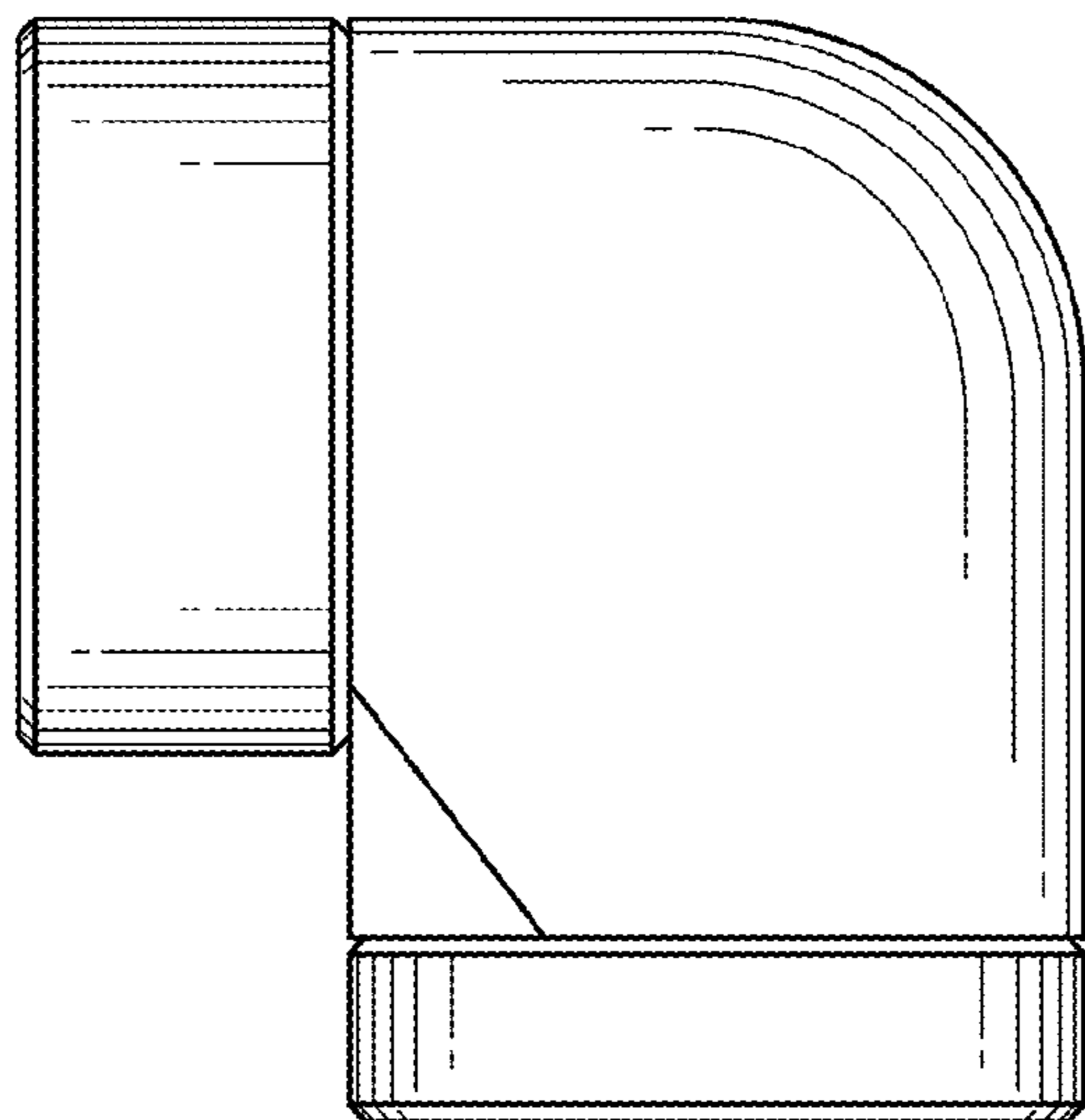


FIG. 5

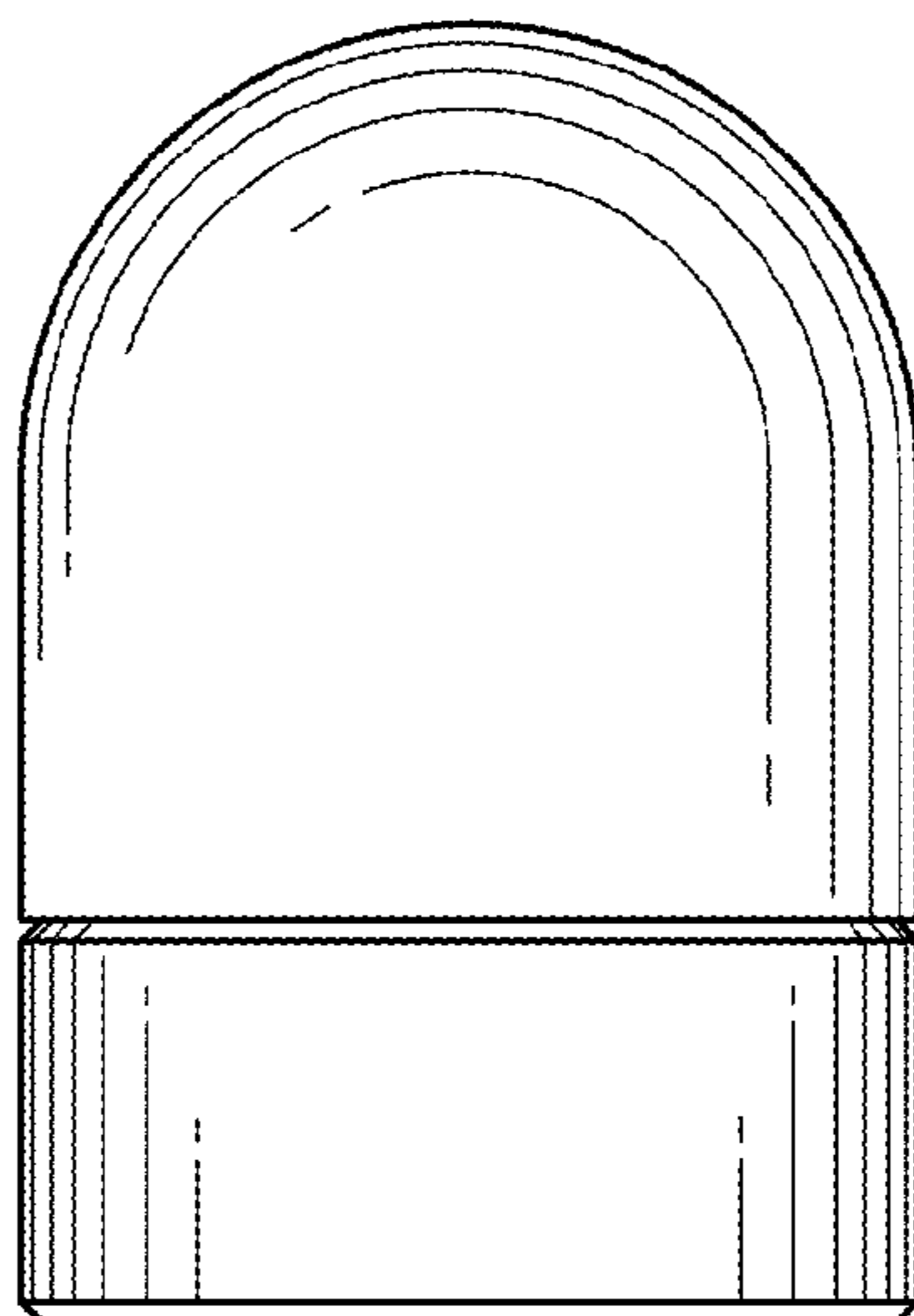


FIG. 6

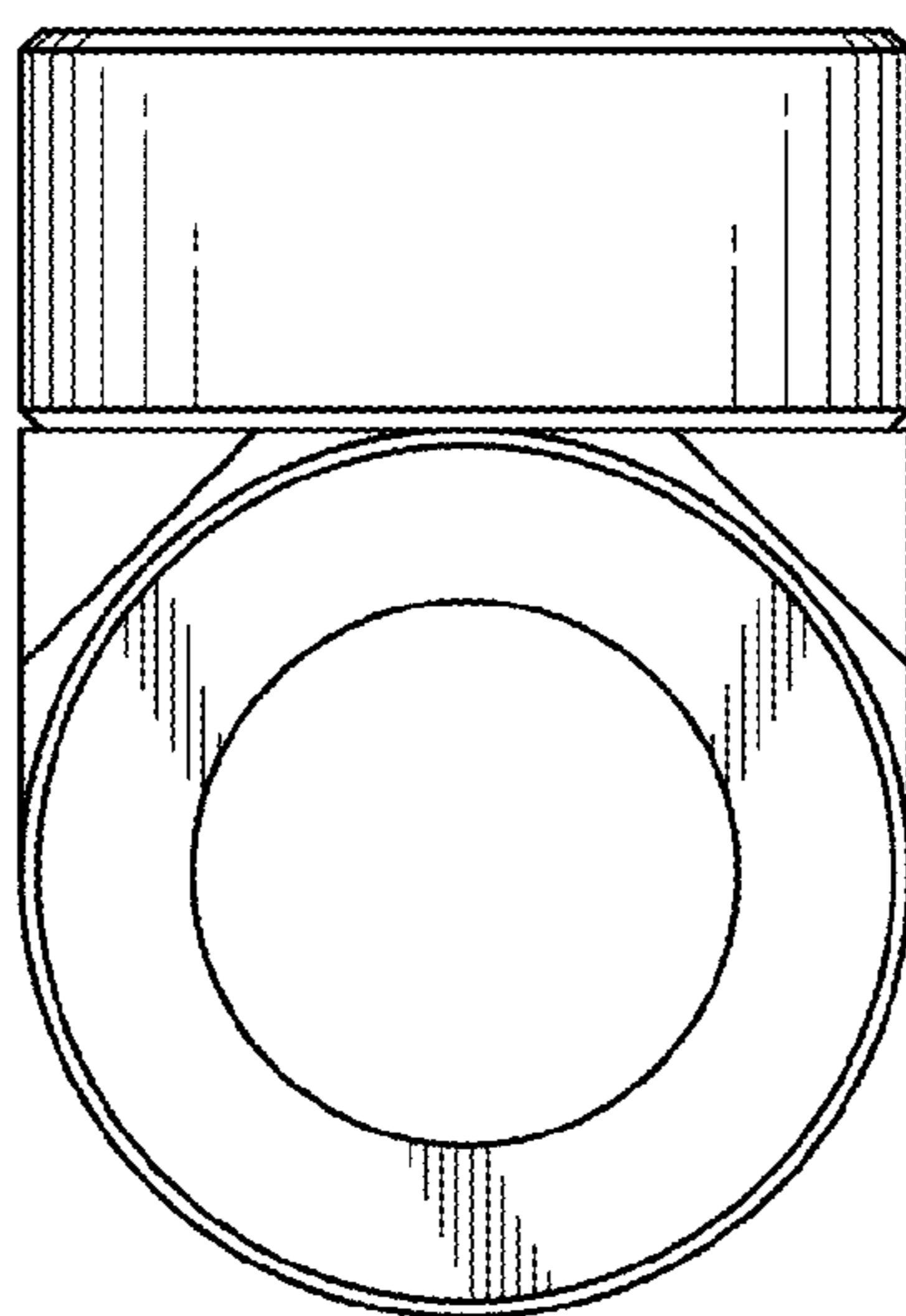


FIG. 7

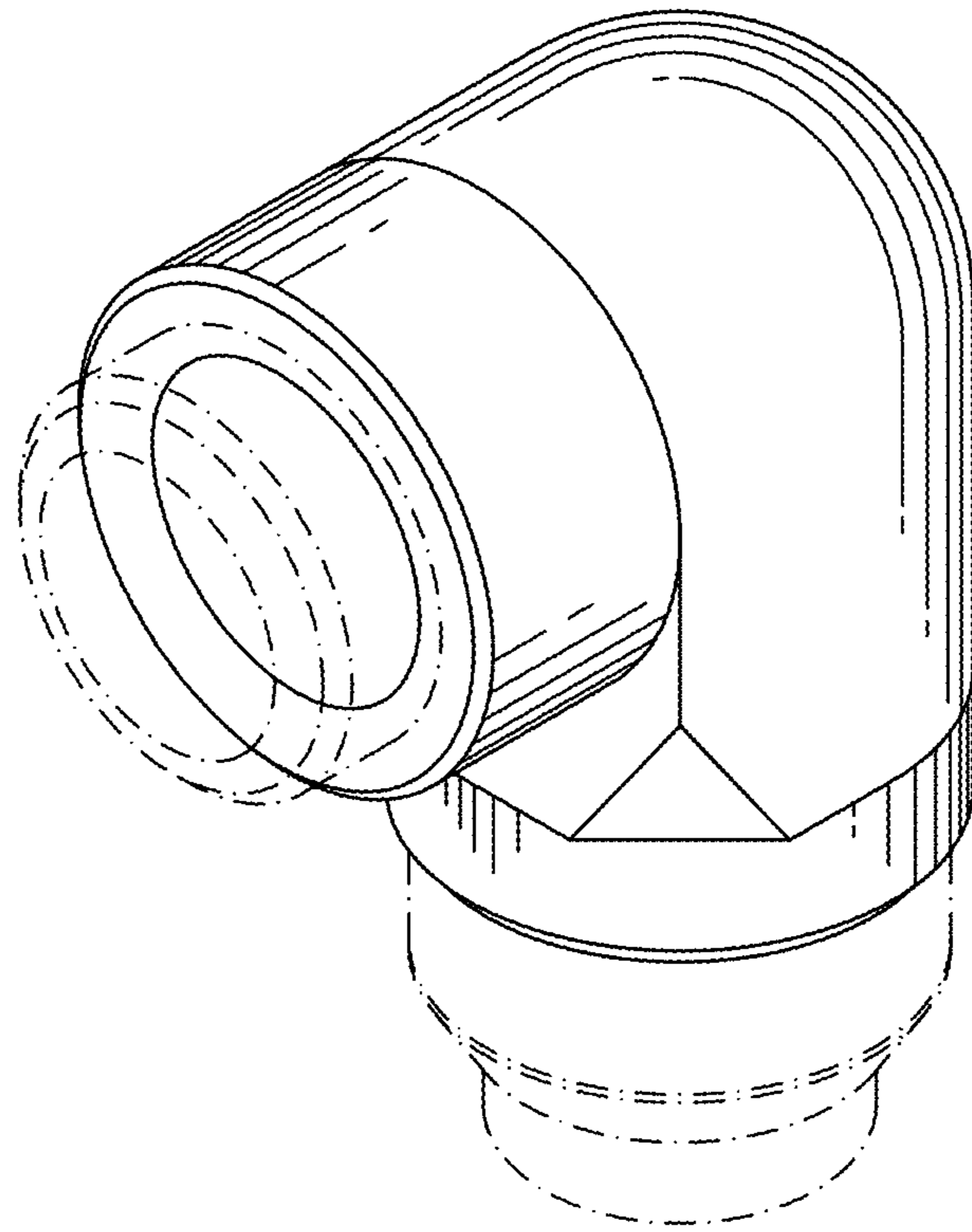


FIG. 8