



US00D712014S

(12) **United States Design Patent**
Guest

(10) **Patent No.:** **US D712,014 S**

(45) **Date of Patent:** **** Aug. 26, 2014**

(54) **FLUID CONNECTOR**

(75) **Inventor:** **Timothy Steven Guest, Bray (GB)**

(73) **Assignee:** **John Guest International Limited,**
Middlesex (GB)

(**) **Term:** **14 Years**

(21) **Appl. No.:** **29/423,375**

(22) **Filed:** **May 31, 2012**

(30) **Foreign Application Priority Data**

Dec. 9, 2011 (EM) 1306039-0001/0004

(51) **LOC (10) Cl.** **23-01**

(52) **U.S. Cl.**
USPC **D23/262**

(58) **Field of Classification Search**
USPC D23/259-262; D8/382; D13/155;
D24/129; 285/86-93

See application file for complete search history.

(56) **References Cited**

U.S. PATENT DOCUMENTS

3,991,822	A	*	11/1976	Morris	165/140
D245,921	S	*	9/1977	Beran	D24/129
D325,775	S	*	4/1992	Hayes	D23/262
D325,961	S	*	5/1992	Hayes	D23/262
D354,801	S	*	1/1995	Grant et al.	D23/263
D356,147	S	*	3/1995	Clivio	D23/262
D362,900	S	*	10/1995	Miska	D23/260
5,518,276	A	*	5/1996	Gunderson	285/93
D379,851	S	*	6/1997	Mathison	D23/260
D387,146	S	*	12/1997	Morrison	D23/262
D403,056	S	*	12/1998	Clivio	D23/262
6,257,626	B1	*	7/2001	Campau	285/81
D453,815	S	*	2/2002	Hoening	D23/259
D455,819	S	*	4/2002	Hoening	D23/259
D464,409	S	*	10/2002	Nishio	D23/266

D482,761	S	*	11/2003	Gotoh et al.	D23/262
6,652,006	B1	*	11/2003	Digiacoimo	285/92
D483,096	S	*	12/2003	Gotoh et al.	D23/262
D517,176	S	*	3/2006	Wilk et al.	D23/262
D550,333	S	*	9/2007	Bamberger et al.	D23/259
D565,707	S	*	4/2008	Brockington et al.	D23/262
D575,377	S	*	8/2008	Roman	D23/259
D593,652	S	*	6/2009	Thomas et al.	D23/303
D602,128	S	*	10/2009	Williams et al.	D23/262
D615,165	S	*	5/2010	McAlpine et al.	D23/262
D627,039	S	*	11/2010	Yu	D23/260
D639,398	S	*	6/2011	Wilhelm	D23/262
D648,008	S	*	11/2011	Percoco et al.	D23/262
D651,696	S	*	1/2012	Giordano	D23/262
D665,481	S	*	8/2012	Bloink et al.	D23/259
8,267,431	B2	*	9/2012	Okuno et al.	285/86
D676,940	S	*	2/2013	Kluss et al.	D23/262
D676,941	S	*	2/2013	Kluss et al.	D23/262
D676,942	S	*	2/2013	Kluss et al.	D23/262

(Continued)

Primary Examiner — Eric Goodman

Assistant Examiner — John Reickel

(74) *Attorney, Agent, or Firm* — Workman Nydegger

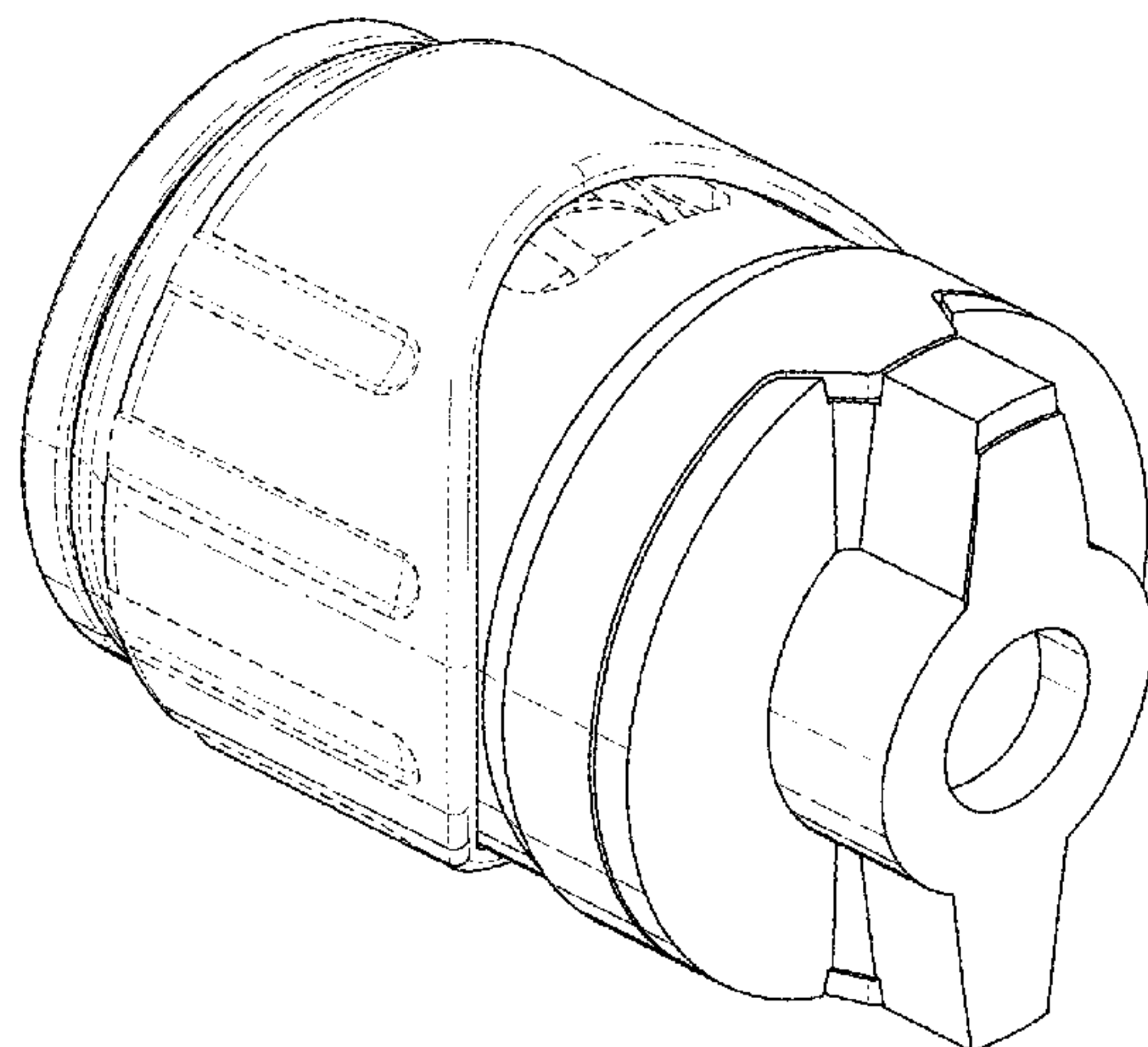
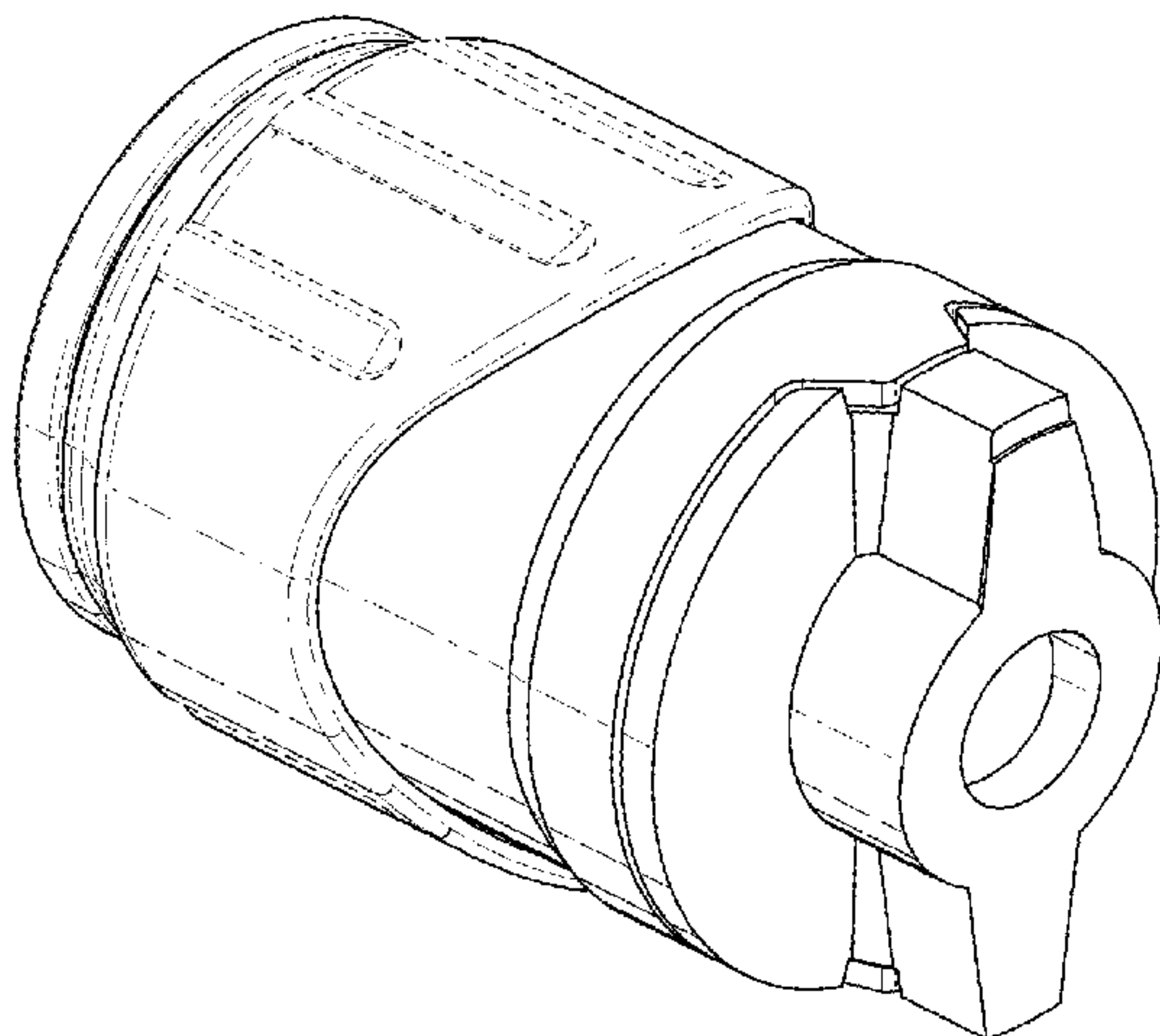
(57) **CLAIM**

The ornamental design for a fluid connector, as shown and described.

DESCRIPTION

FIG. 1 is a perspective view of a fluid connector showing my new design;
FIG. 2 is a right side elevational view thereof;
FIG. 3 is a front elevational view thereof;
FIG. 4 is a rear elevational view thereof;
FIG. 5 is a top plan view thereof;
FIG. 6 is a bottom plan view thereof; and,
FIG. 7 is a perspective view thereof with a collar of the fluid connector rotated to a second position.
The broken lines are included for the purpose of illustrating portions of the article and form no part of the claimed design.

1 Claim, 3 Drawing Sheets



(56)

References Cited

U.S. PATENT DOCUMENTS

D676,943 S *	2/2013	Kluss et al.	D23/262	8,641,685 B2 *	2/2014	Mansour et al.	604/256
D681,159 S *	4/2013	Ben-Horin et al.	D23/209	8,646,813 B1 *	2/2014	Shemtov	285/404
D691,246 S *	10/2013	Ward	D23/262	8,647,326 B2 *	2/2014	Solomon et al.	604/533
8,636,720 B2 *	1/2014	Truitt et al.	604/537	8,657,343 B2 *	2/2014	Rodenberg et al.	285/82
				2005/0194781 A1 *	9/2005	Tiberghien et al.	285/18
				2008/0238087 A1 *	10/2008	Wang et al.	285/39
				2013/0257043 A1 *	10/2013	Guest	285/322

* cited by examiner

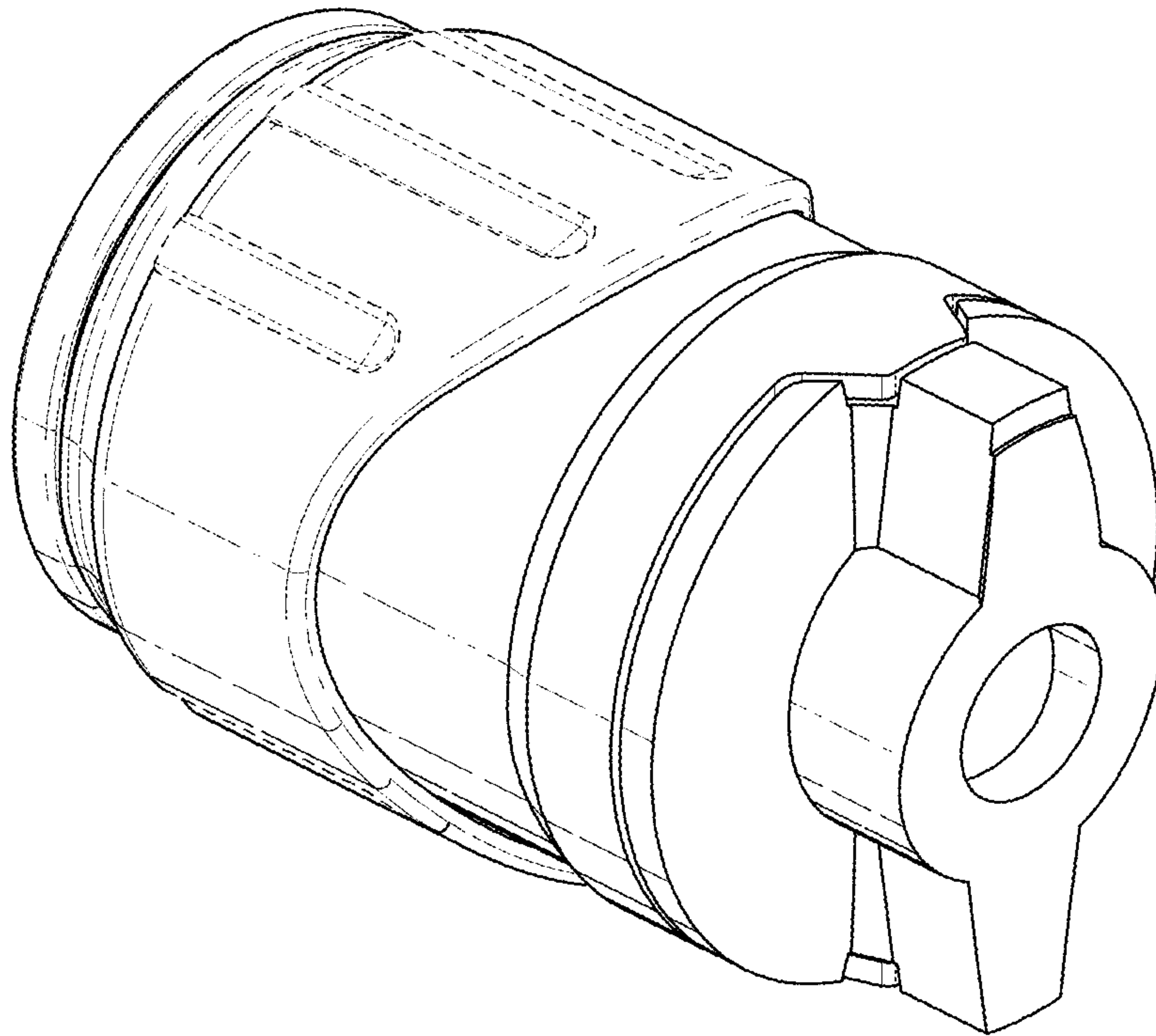


FIG. 1

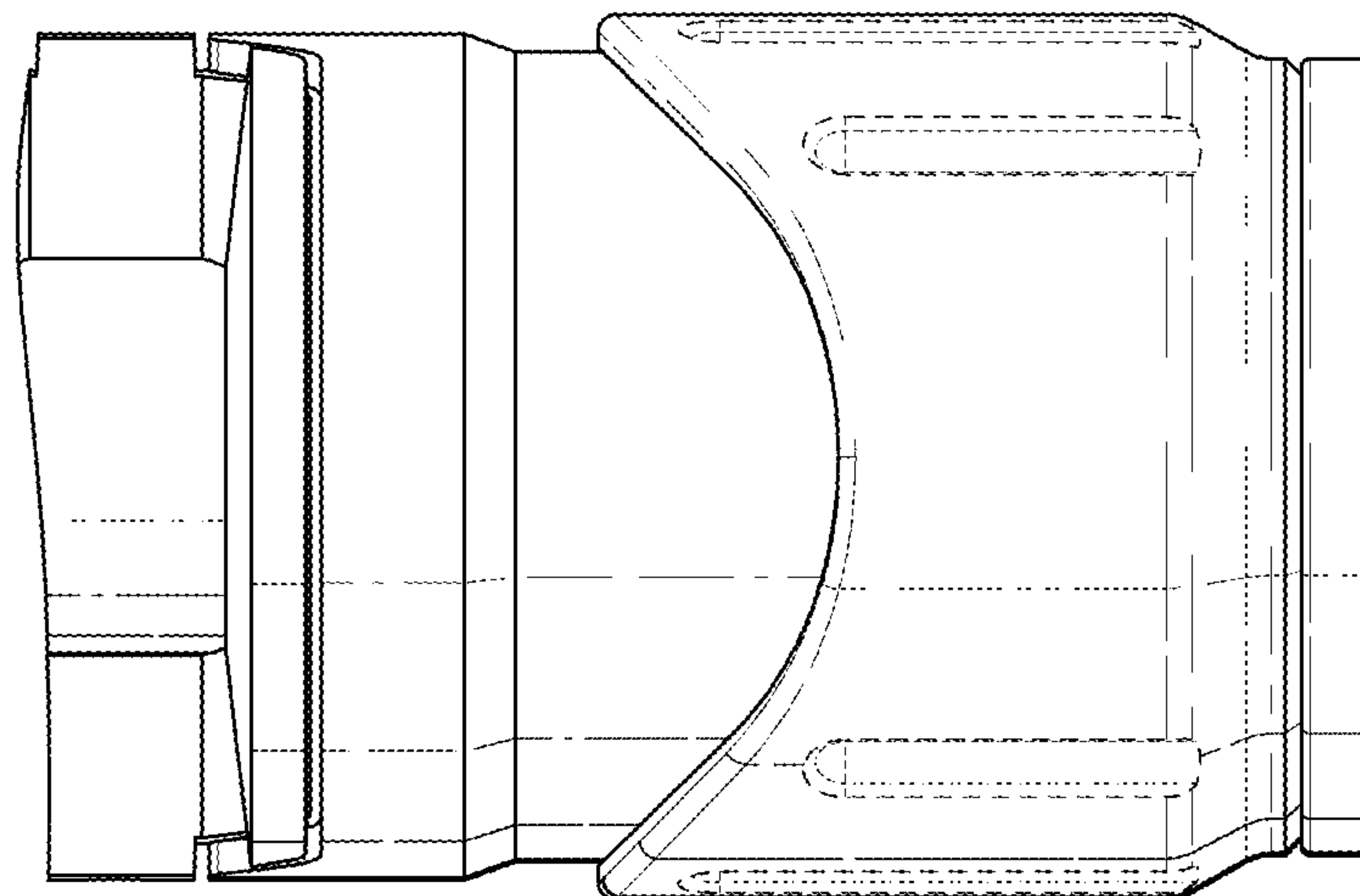


FIG. 2

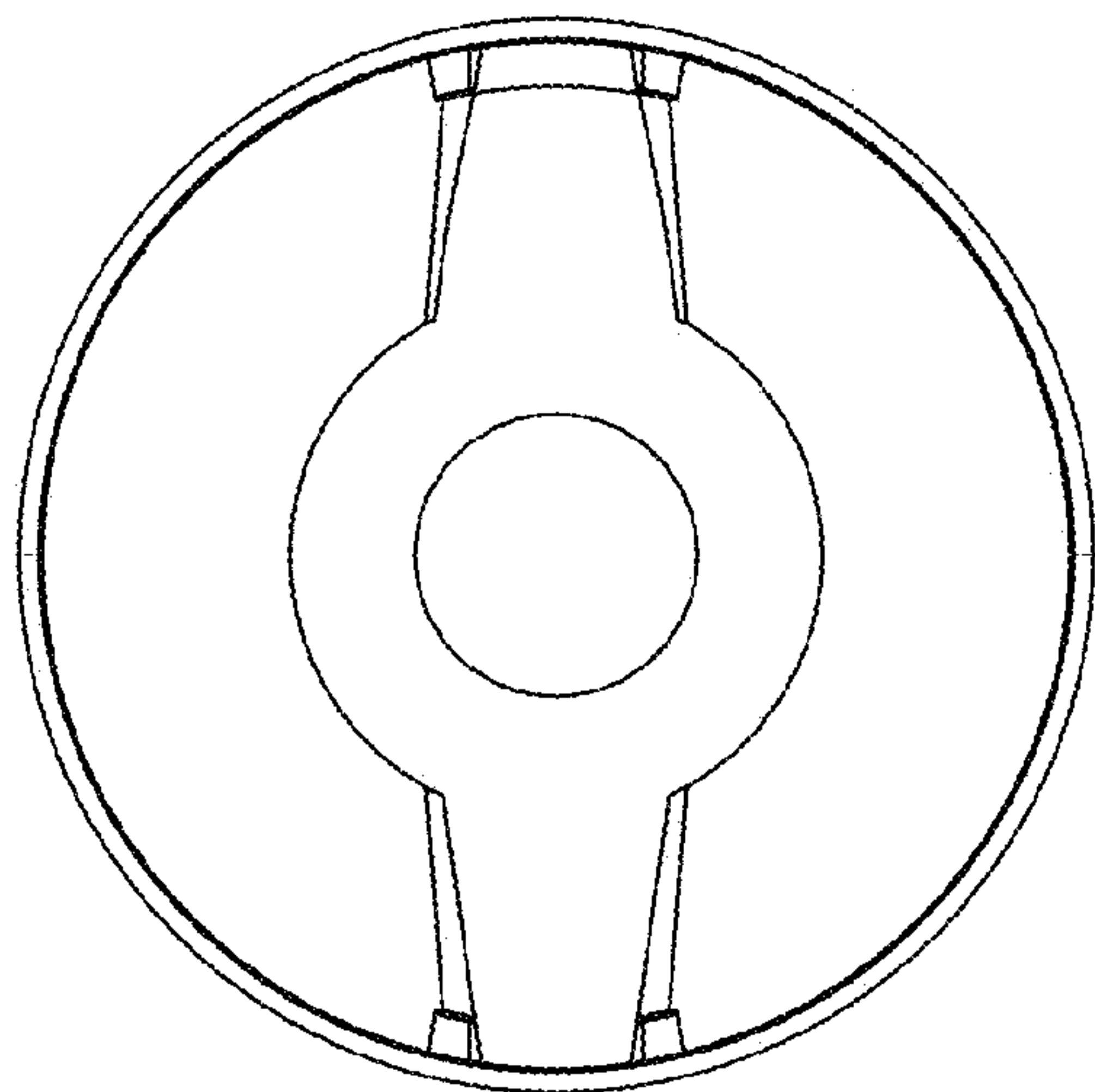


FIG. 3

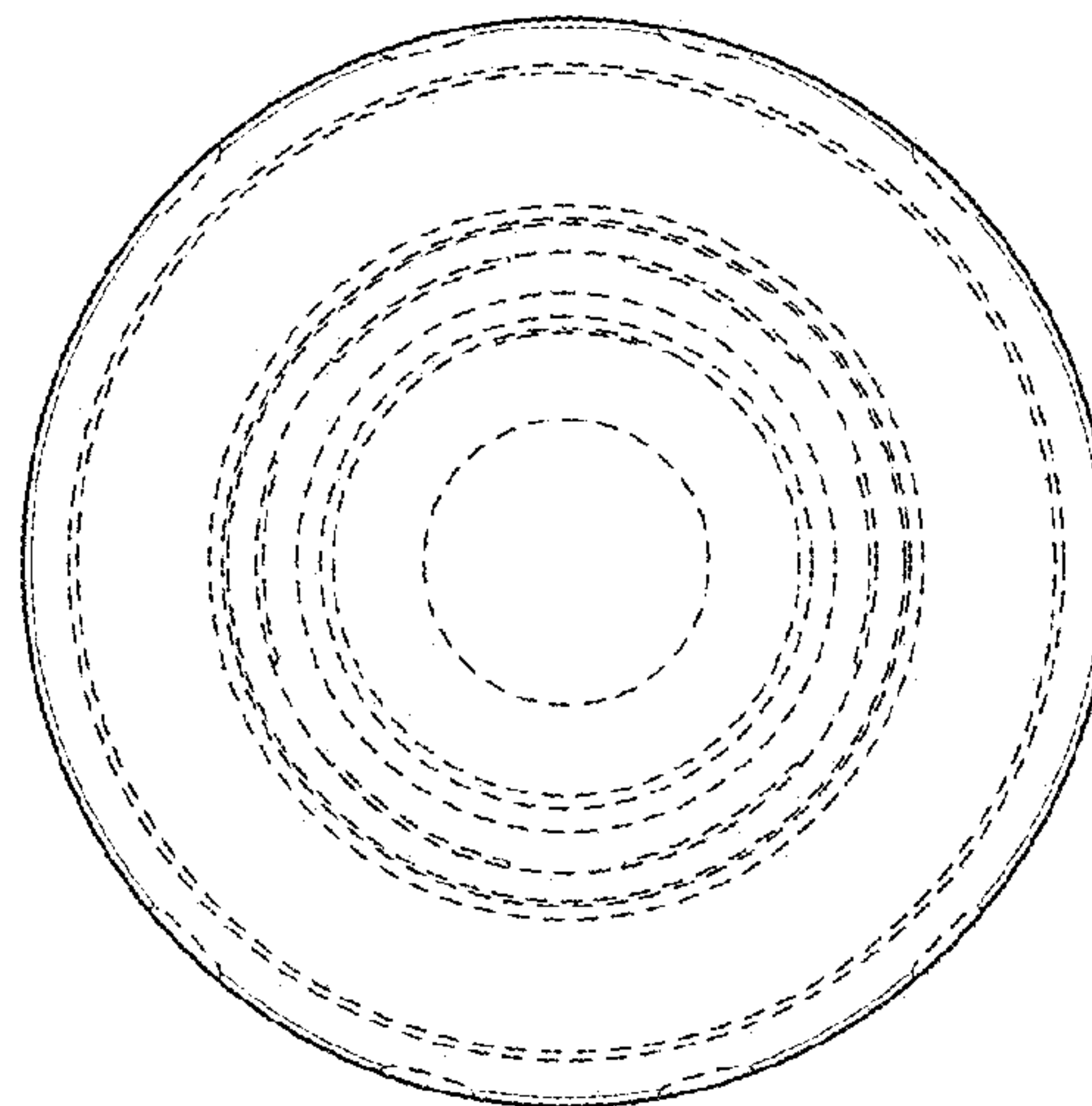


FIG. 4

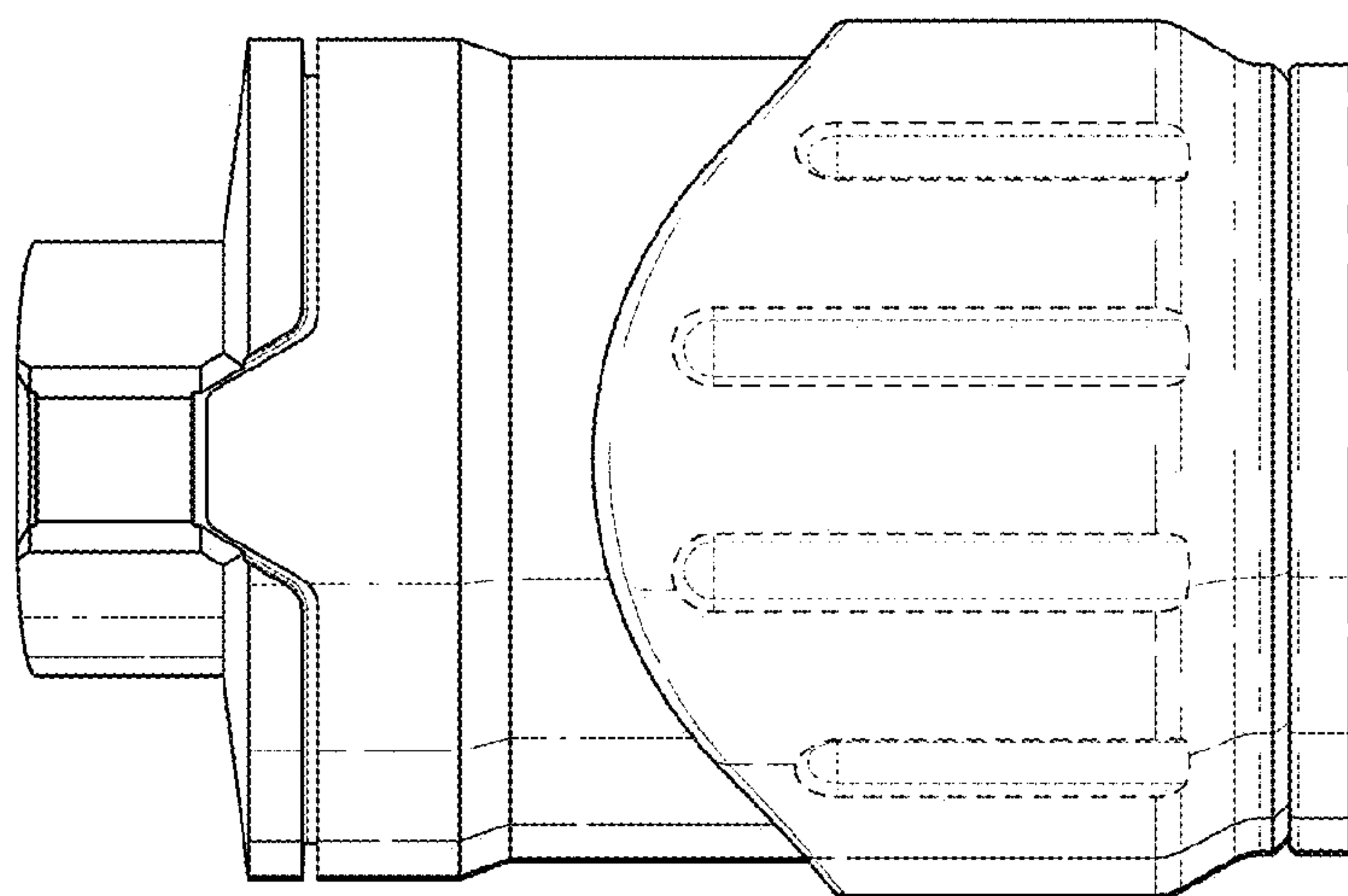


FIG. 5

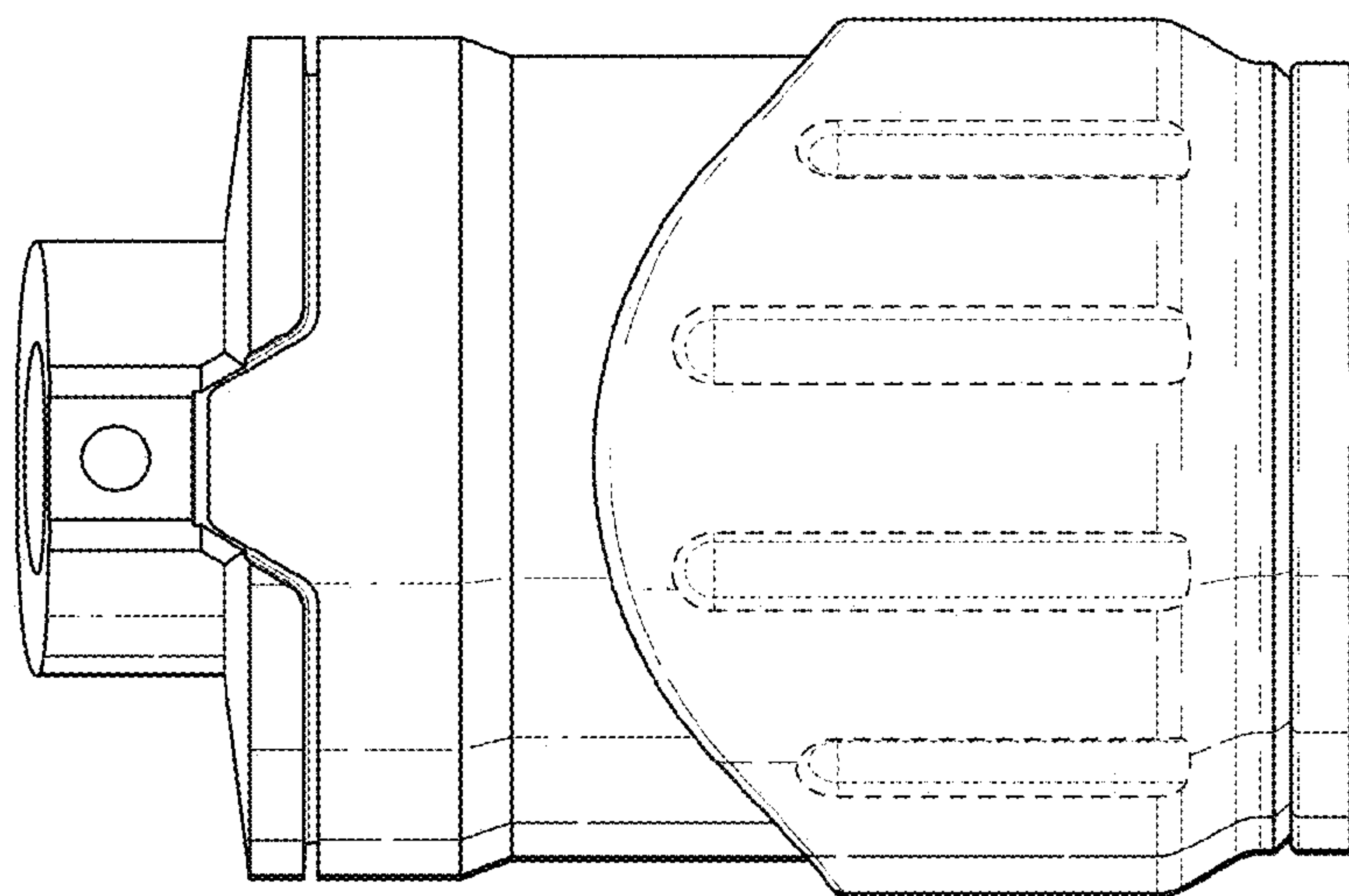


FIG. 6

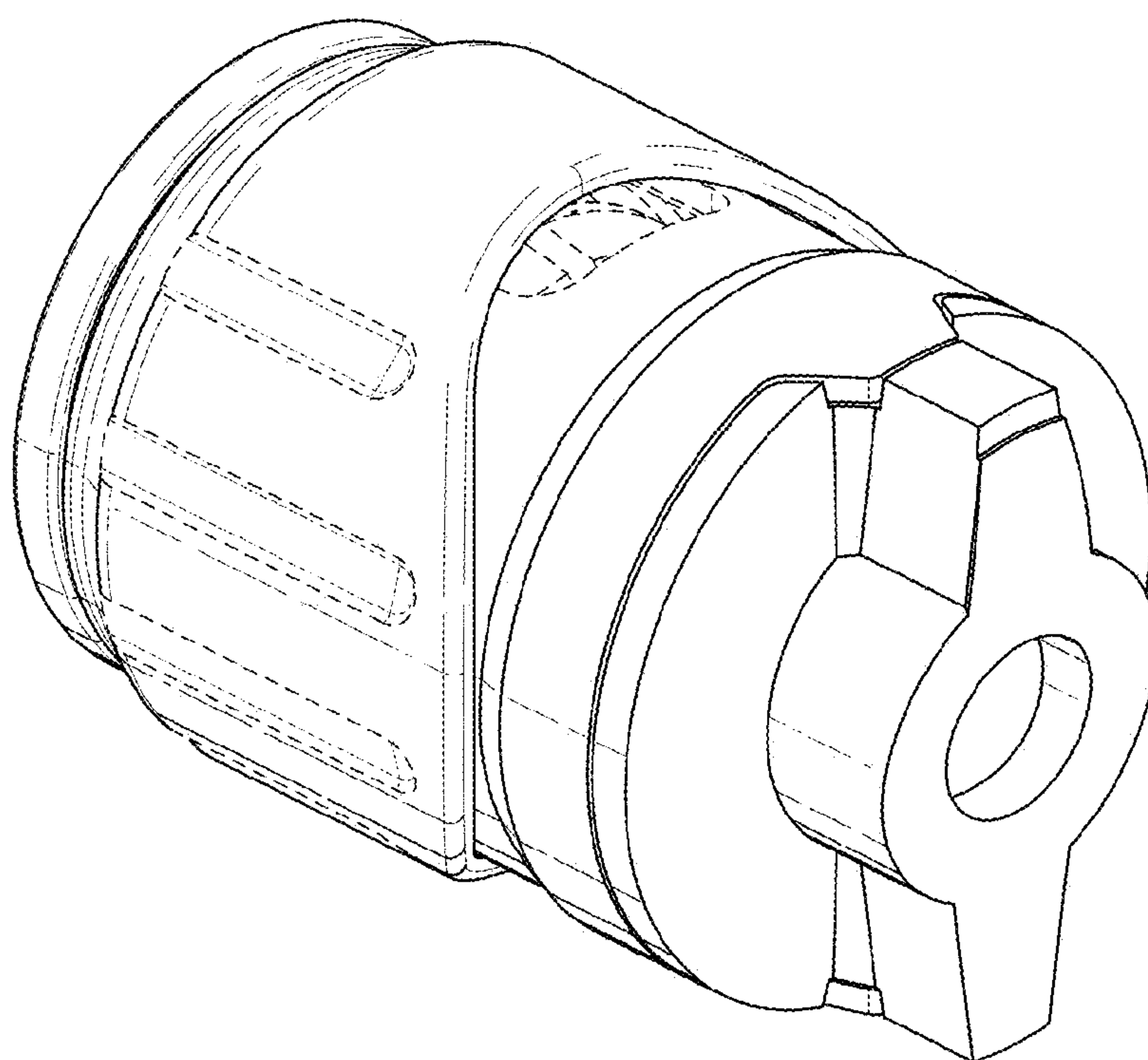


FIG. 7