



US00D712013S

(12) **United States Design Patent**
Mather et al.

(10) **Patent No.:** **US D712,013 S**

(45) **Date of Patent:** **** Aug. 26, 2014**

(54) **WEAR SLEEVE**

(75) Inventors: **Brian D. Mather**, North Olmsted, OH (US); **Dale Juhn**, North Olmsted, OH (US)

(73) Assignee: **Nordson Corporation**, Westlake, OH (US)

(**) Term: **14 Years**

(21) Appl. No.: **29/430,484**

(22) Filed: **Aug. 27, 2012**

(51) **LOC (10) Cl.** **23-01**

(52) **U.S. Cl.**
USPC **D23/259**

(58) **Field of Classification Search**
CPC F16L 23/00; F16L 27/00
USPC D23/259-269; D8/382, 387; D13/155;
D24/129; 285/58, 83
See application file for complete search history.

(56) **References Cited**

U.S. PATENT DOCUMENTS

99,018	A	*	1/1870	Smith	138/109
D226,523	S	*	3/1973	Thornton et al.	D25/36
D234,847	S	*	4/1975	Hoffman	D23/262
D258,526	S	*	3/1981	Nederman	D23/262
D267,506	S	*	1/1983	Evans	D23/262
D310,556	S	*	9/1990	Russell	D23/265
D311,573	S	*	10/1990	Lewis	D23/262
D364,449	S	*	11/1995	Ellenberger	D23/262

D407,802	S	*	4/1999	Hatfield et al.	D23/262
D428,805	S	*	8/2000	Sato et al.	D8/382
D452,299	S	*	12/2001	Aldred et al.	D23/259
D480,454	S	*	10/2003	Filer	D23/262
D546,665	S	*	7/2007	Medlin	D8/382
D591,407	S	*	4/2009	Youssef et al.	D23/266
D631,542	S	*	1/2011	DeGross et al.	D24/129
D676,943	S	*	2/2013	Kluss et al.	D23/262

* cited by examiner

Primary Examiner — Eric Goodman

Assistant Examiner — John Reickel

(74) *Attorney, Agent, or Firm* — Calfee, Halter & Griswold LLP

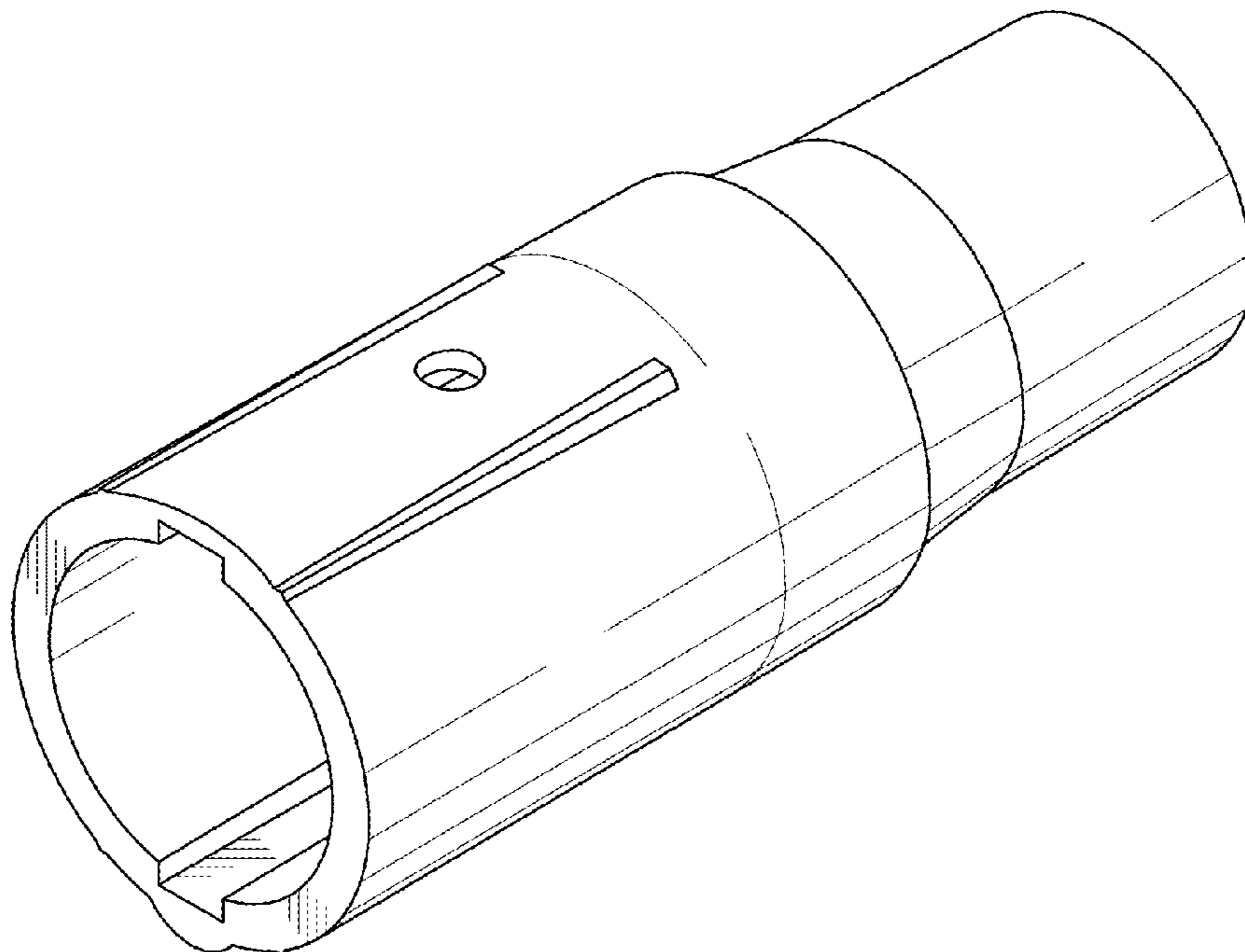
(57) **CLAIM**

The ornamental design for a wear sleeve, as shown and described.

DESCRIPTION

FIG. 1 is a right side elevational view of a wear sleeve of the new design;
FIG. 2 is a front elevational view of the wear sleeve of FIG. 1;
FIG. 3 is a top plan view of the wear sleeve of FIG. 1;
FIG. 4 is a rear elevational view of the wear sleeve of FIG. 1;
FIG. 5 is a left side elevational view of the wear sleeve of FIG. 1;
FIG. 6 is a bottom plan view of the wear sleeve of FIG. 1;
FIG. 7 is an upper front perspective view of the wear sleeve of FIG. 1; and,
FIG. 8 is a side cross sectional view of the wear sleeve of FIG. 1, taken along the 8-8 line of FIG. 4.

1 Claim, 3 Drawing Sheets



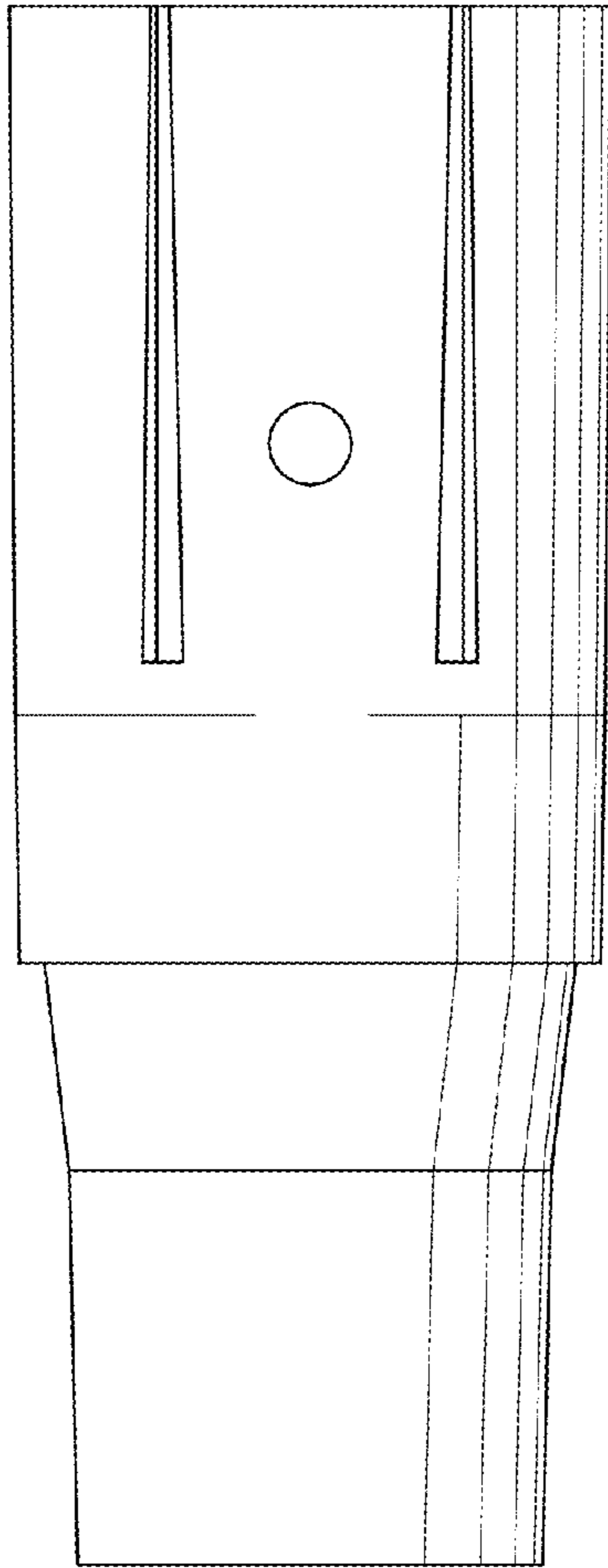


FIG. 3

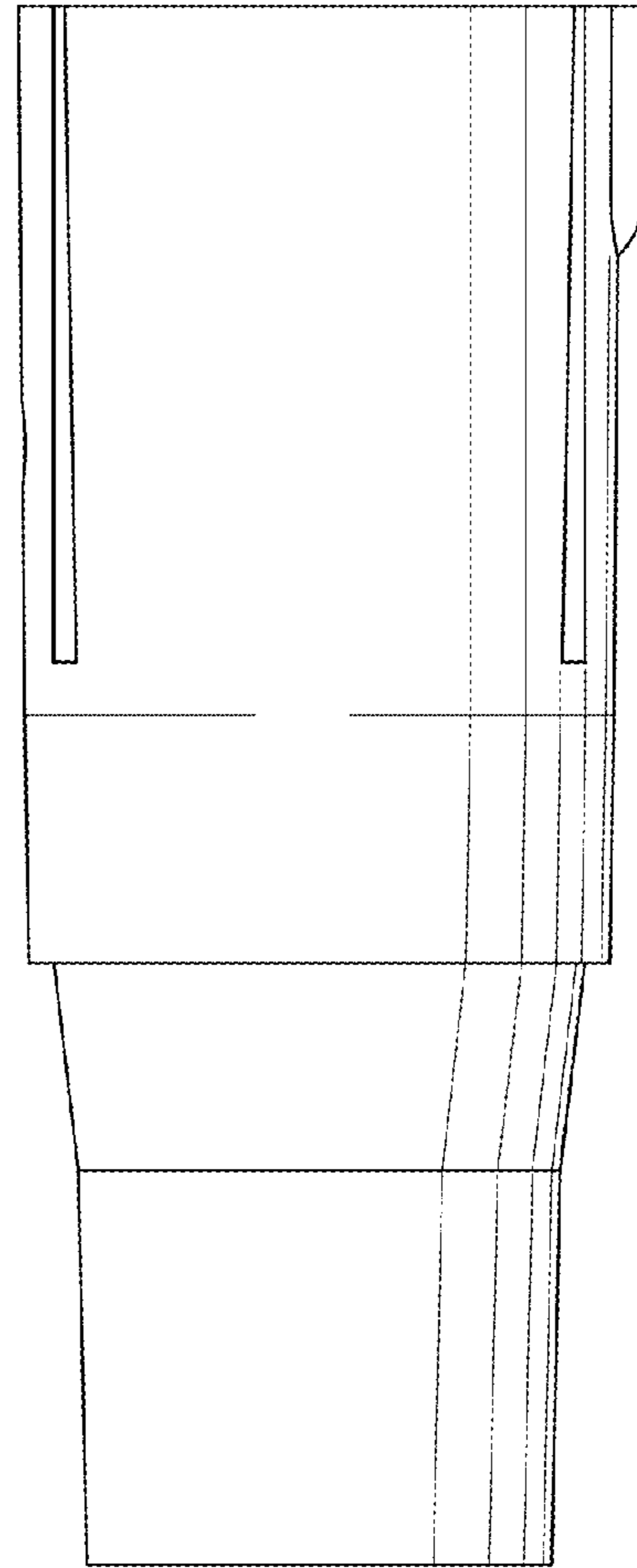


FIG. 1

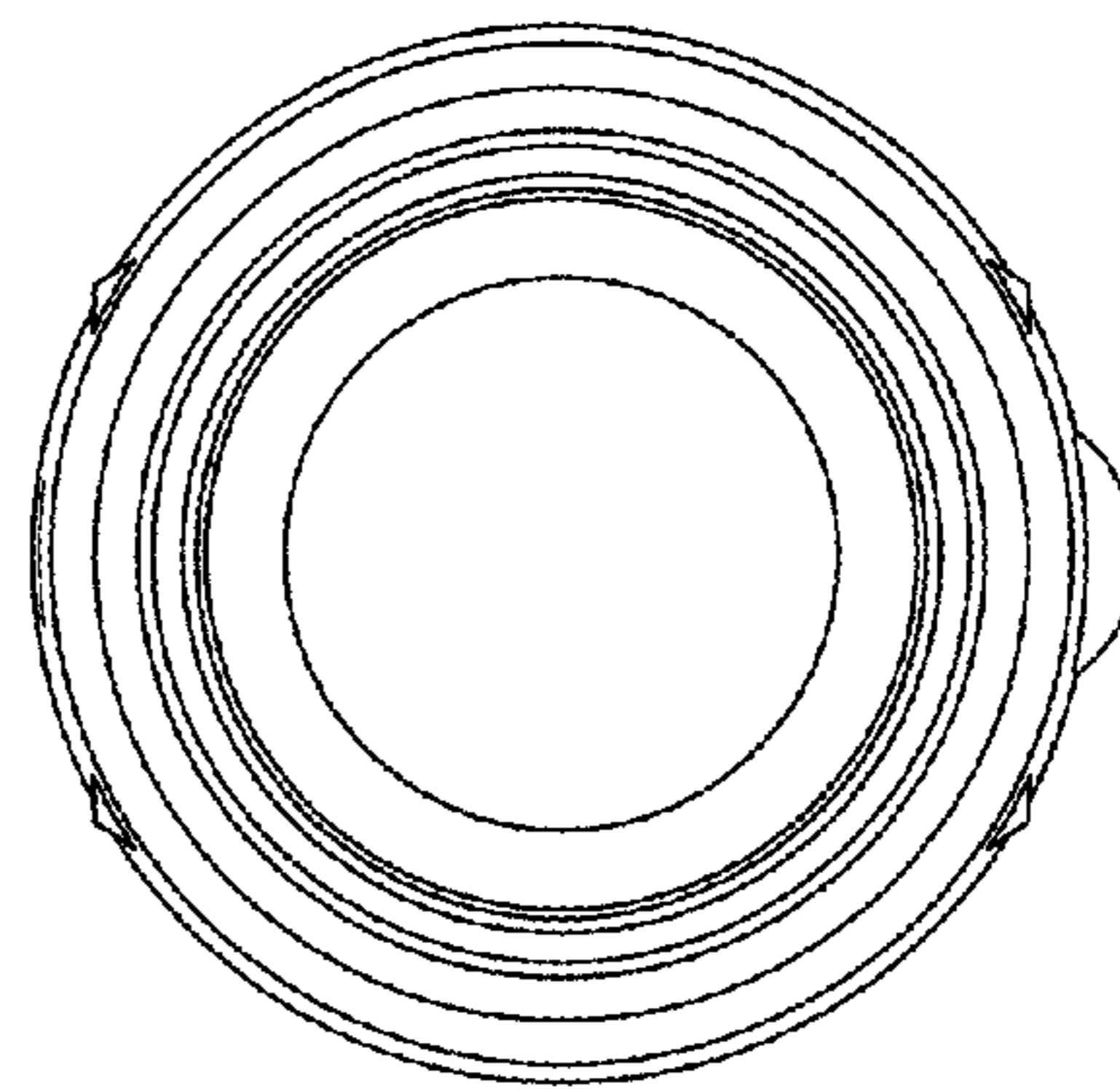


FIG. 2

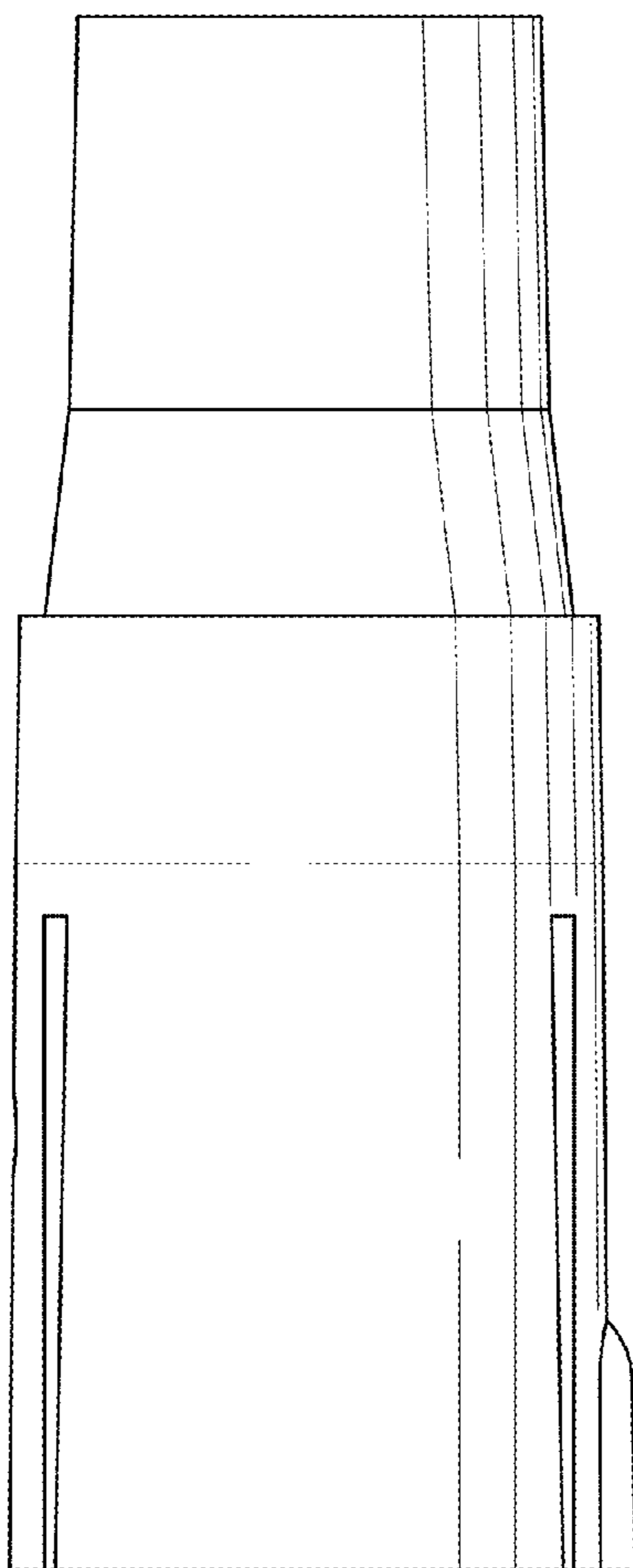


FIG. 5

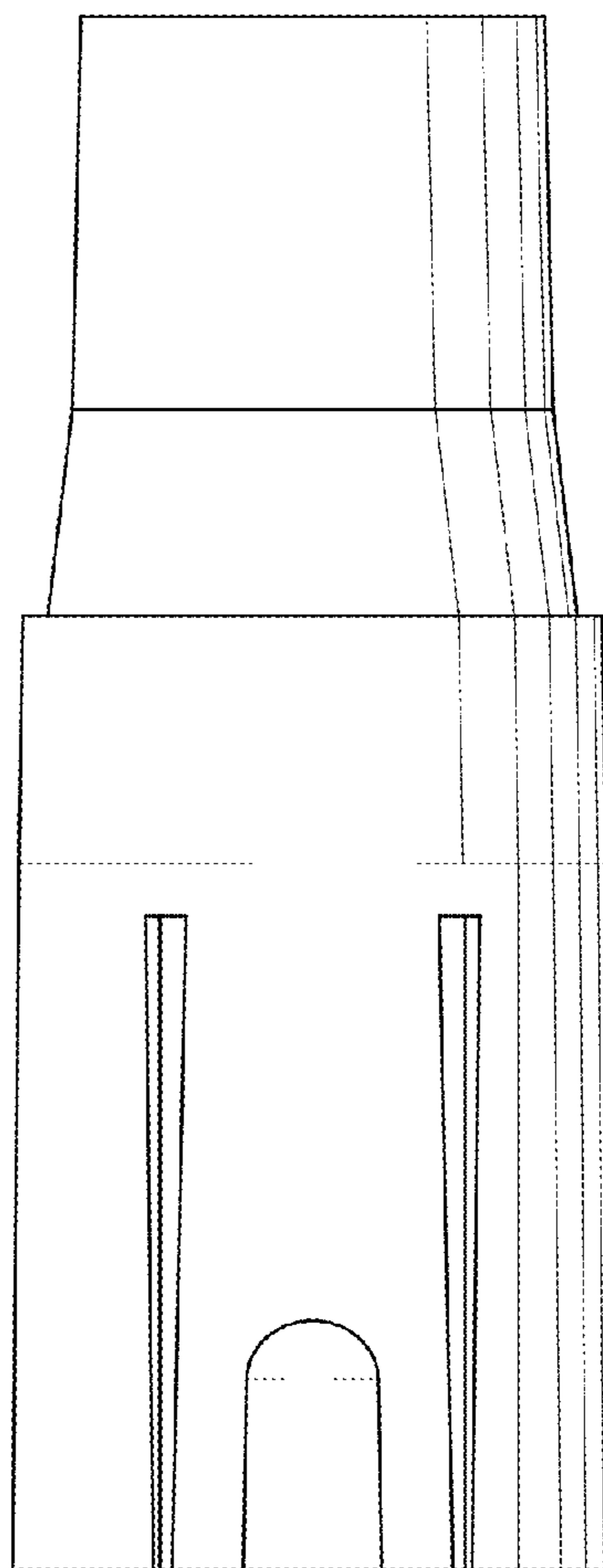


FIG. 6

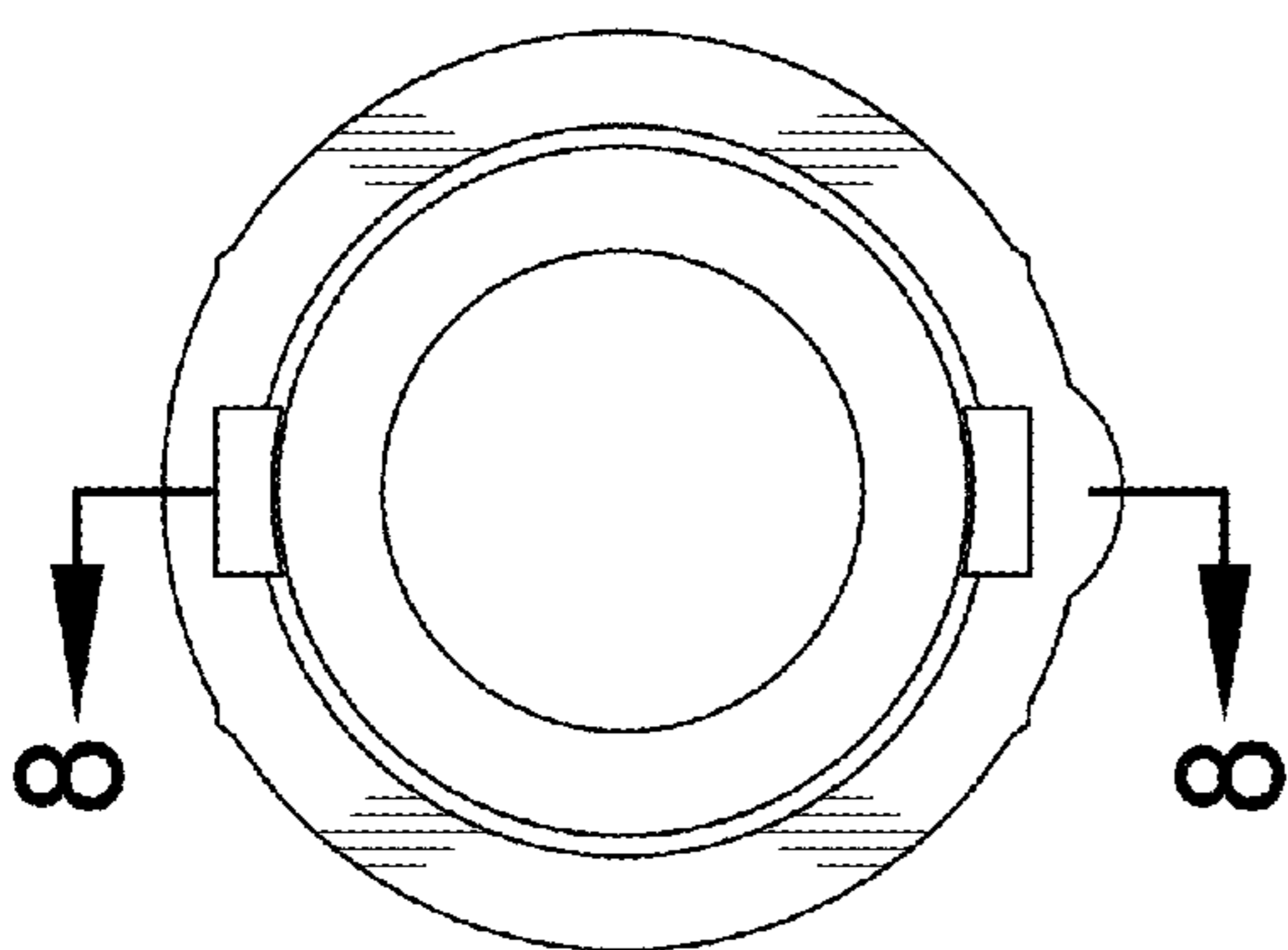


FIG. 4

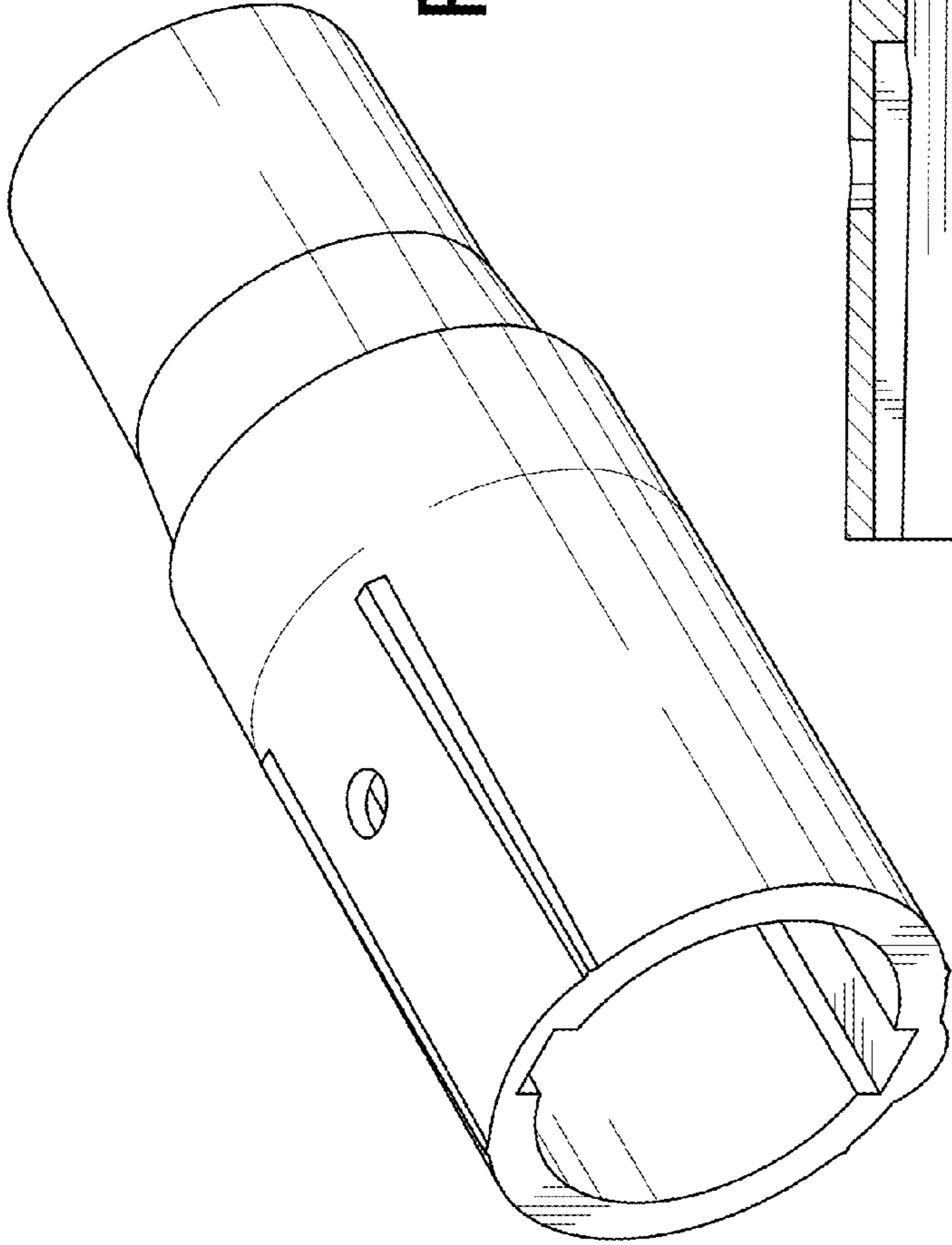


FIG. 7

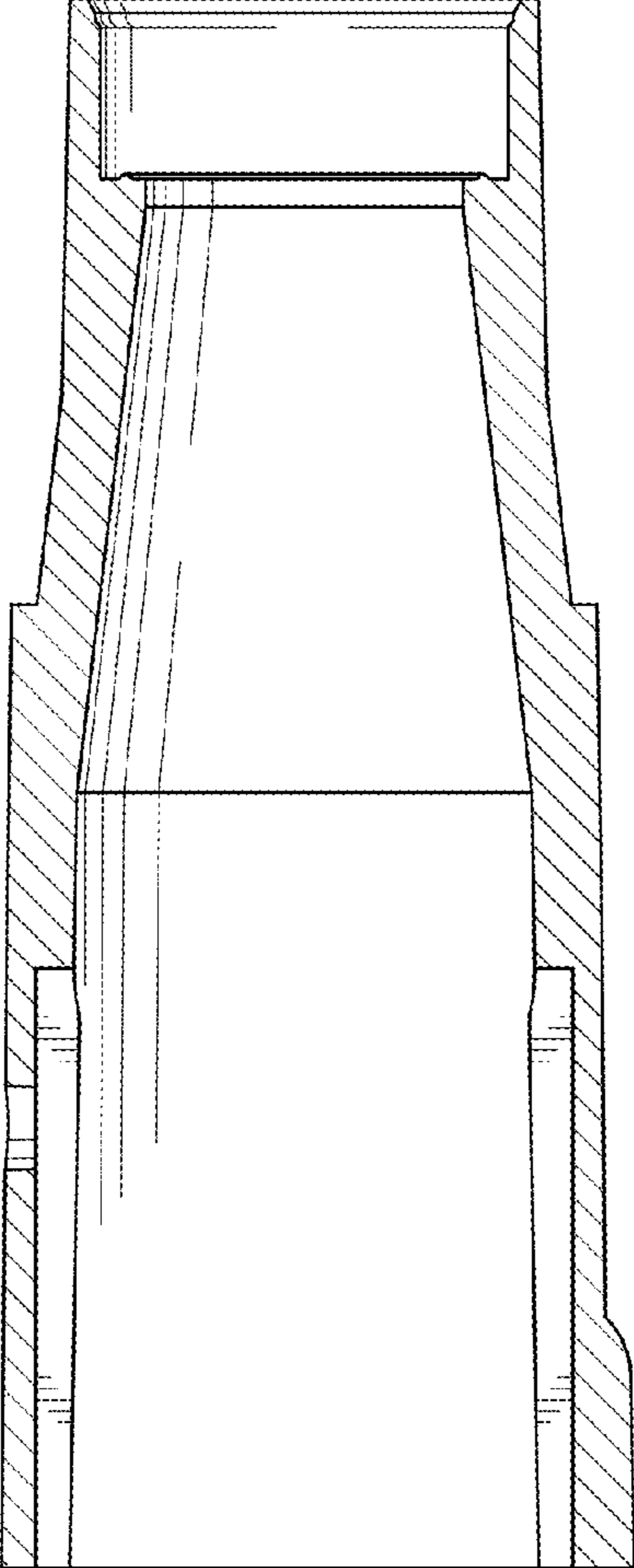


FIG. 8