



US00D712012S

(12) **United States Design Patent**
Standefer et al.

(10) **Patent No.:** **US D712,012 S**

(45) **Date of Patent:** **** Aug. 26, 2014**

(54) **TWO HOLE FAUCET**

(56) **References Cited**

(71) Applicant: **Waterworks IP Company, LLC,**
Danbury, CT (US)

U.S. PATENT DOCUMENTS

(72) Inventors: **Robin Standefer,** New York, NY (US);
Stephen Alesch, New York, NY (US)

D81,314 S 6/1930 Kersten
D540,918 S 4/2007 Haug et al.
D585,529 S 1/2009 Eilmus
D620,560 S 7/2010 Shieh

(73) Assignee: **Waterworks IP Company, LLC,**
Danbury, CT (US)

Primary Examiner — Robert Delehanty

(74) *Attorney, Agent, or Firm* — McDermott Will & Emery
LLP

(**) Term: **14 Years**

(57) **CLAIM**

The ornamental design for a two hole faucet, as shown and described.

(21) Appl. No.: **29/477,783**

DESCRIPTION

(22) Filed: **Dec. 26, 2013**

Related U.S. Application Data

(62) Division of application No. 29/428,543, filed on Jul.
31, 2012, now Pat. No. Des. 696,750.

(51) **LOC (10) Cl.** **23-01**

(52) **U.S. Cl.**
USPC **D23/255**

(58) **Field of Classification Search**
USPC D23/238–243, 249–255, 257;
4/675–678; 137/80

FIG. 1 is a front perspective view of a two hole faucet, showing the new design;

FIG. 2 is a front view of the two hole faucet;

FIG. 3 is a rear view of the two hole faucet;

FIG. 4 is a side view of the two hole faucet;

FIG. 5 is another side view of the two hole faucet;

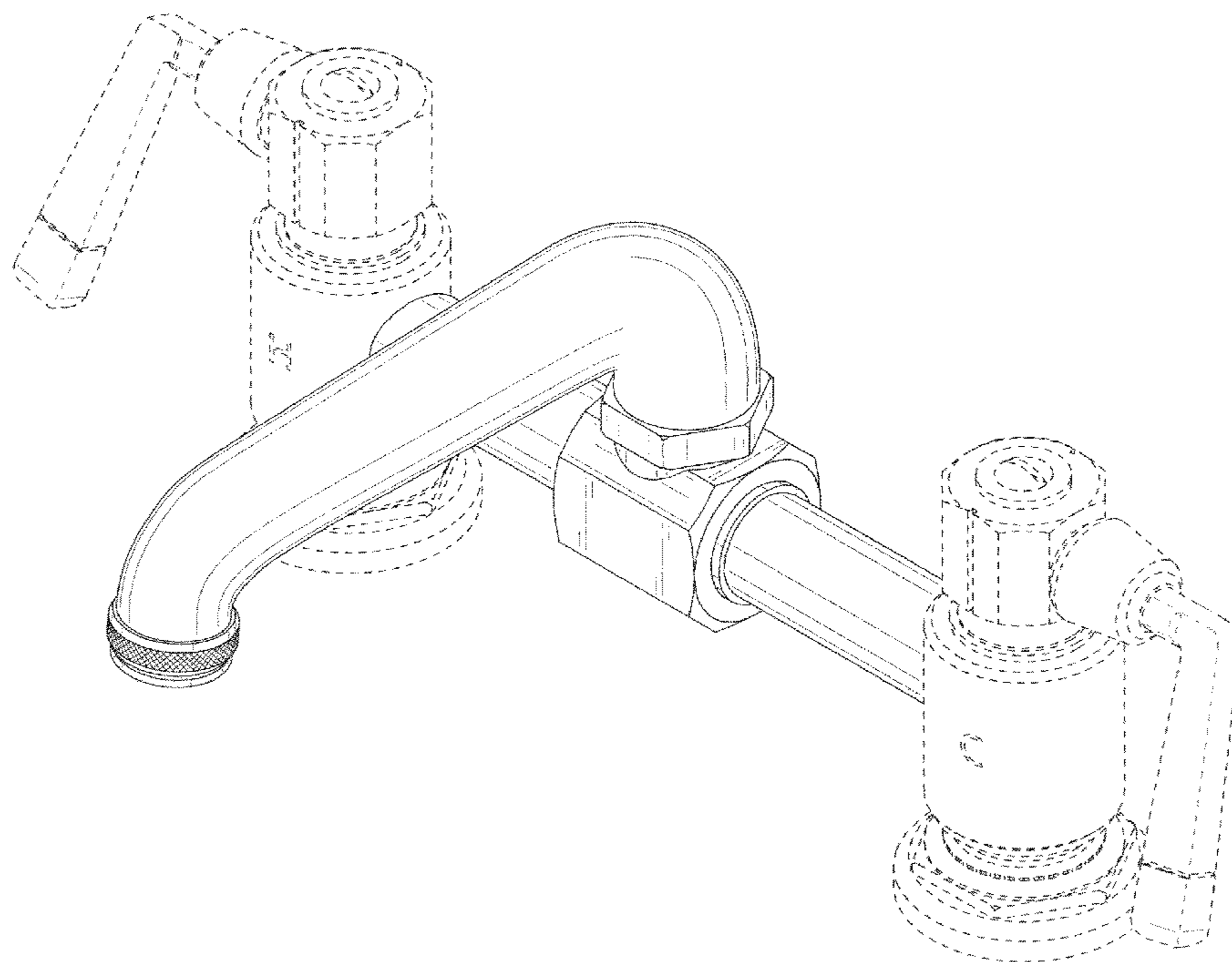
FIG. 6 is a top view of the two hole faucet; and,

FIG. 7 is a bottom view of the two hole faucet.

The broken lines showing various elements of the two hole faucet are included for the purpose of illustrating non-claimed subject matter and form no part of the claimed design.

See application file for complete search history.

1 Claim, 7 Drawing Sheets



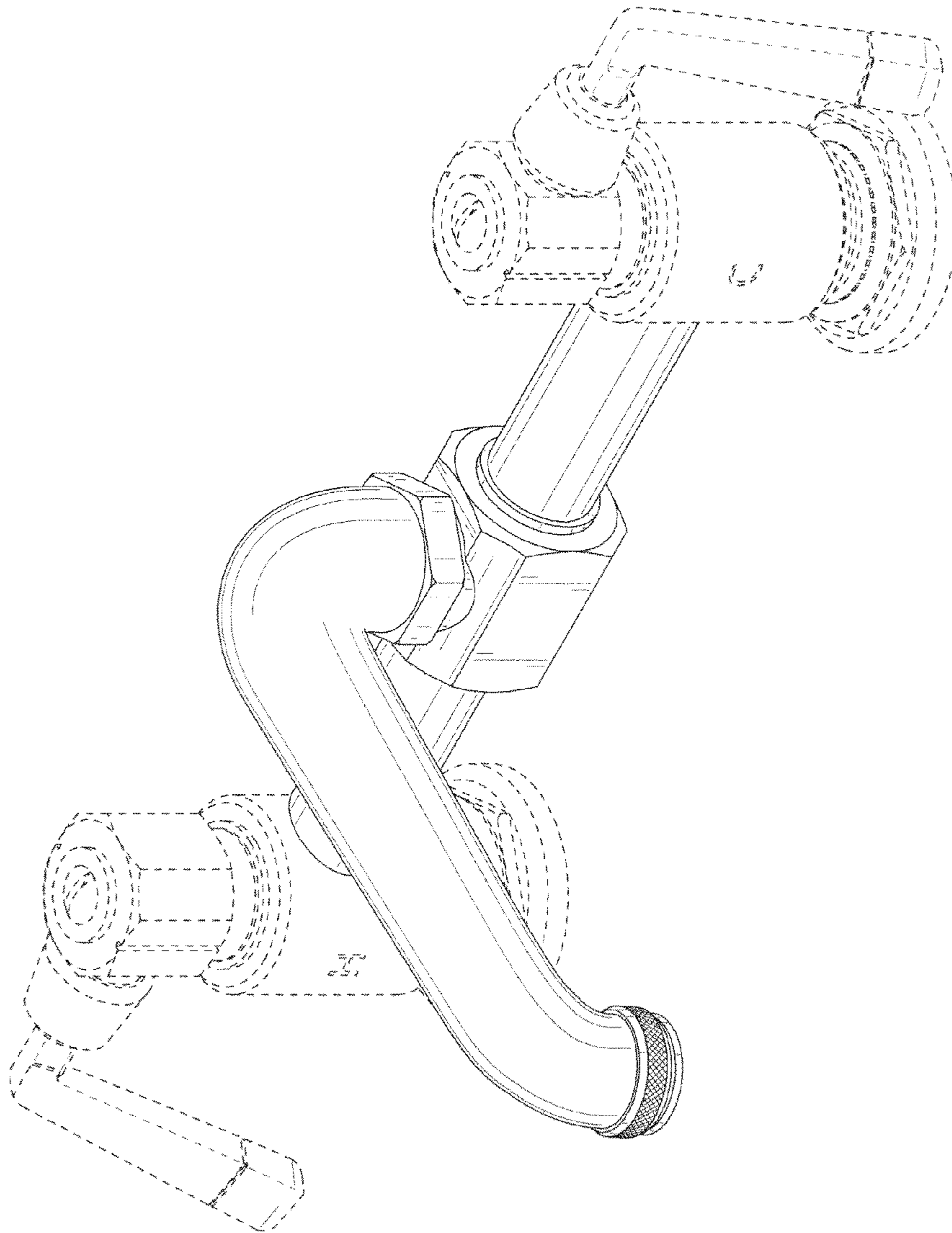


FIG. 1

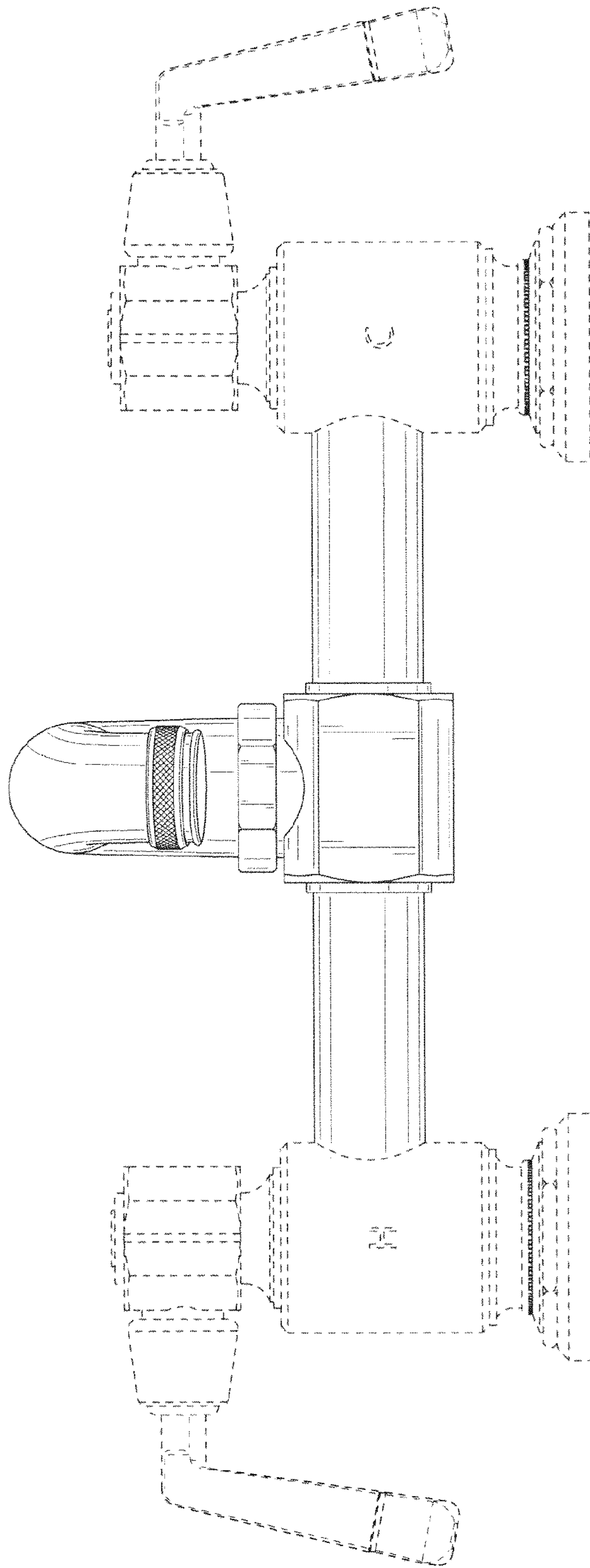


FIG. 2

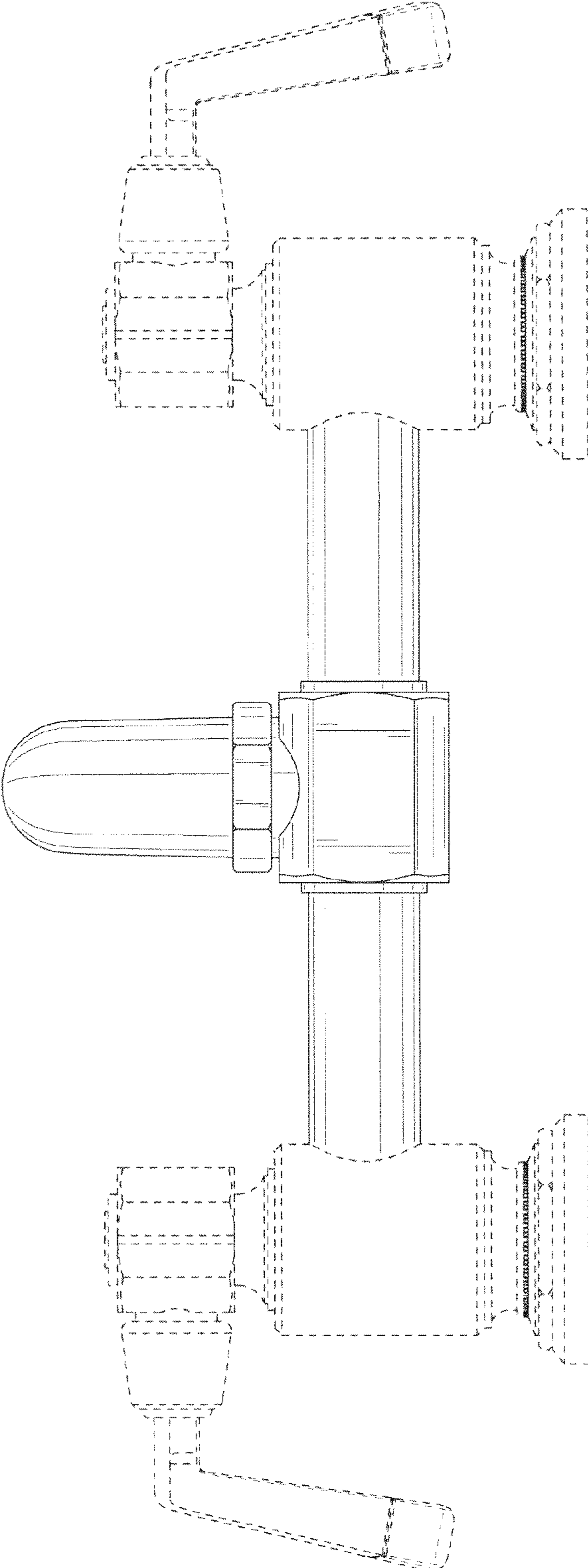


FIG. 3

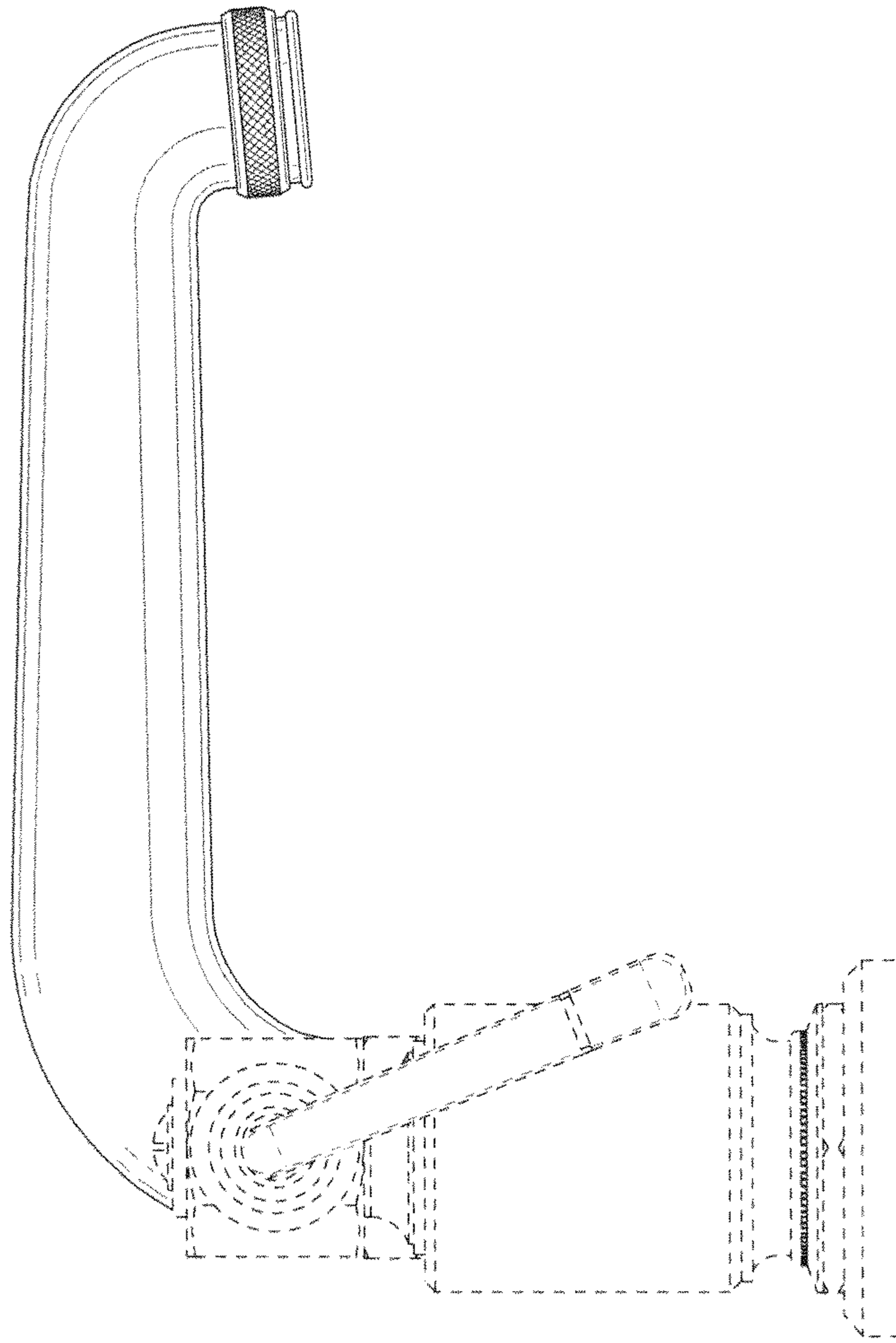


FIG. 4

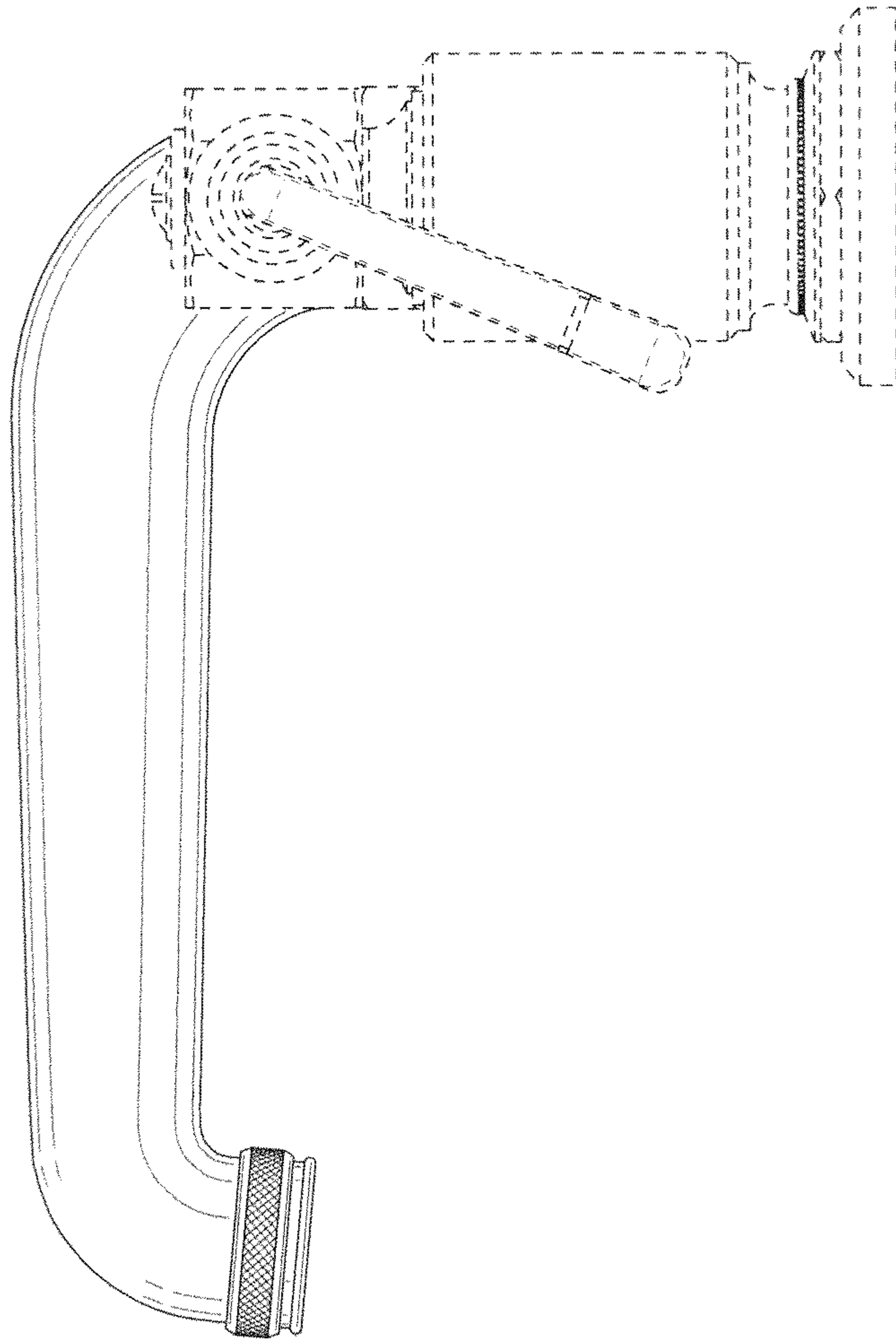


FIG. 5

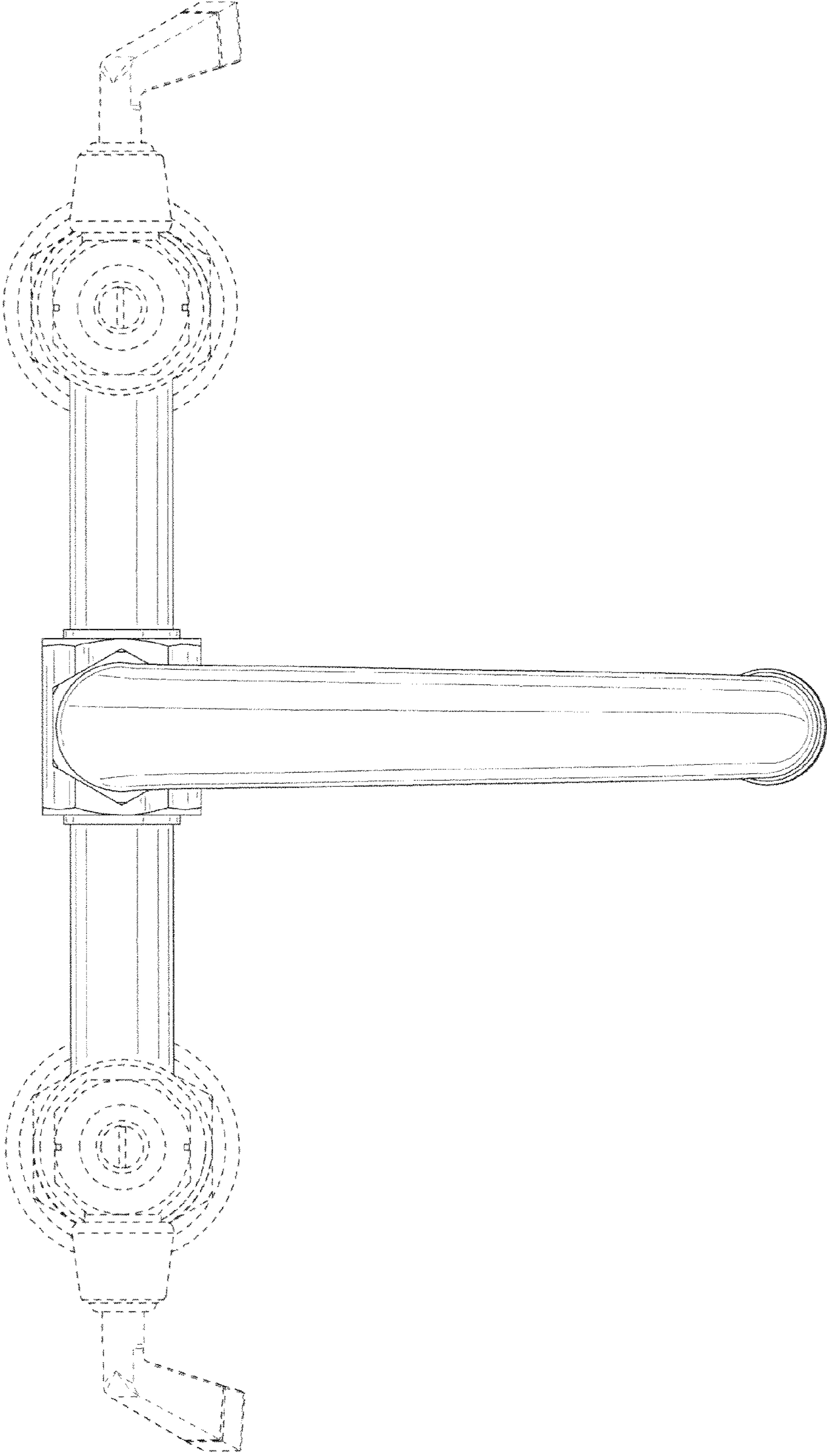


FIG. 6

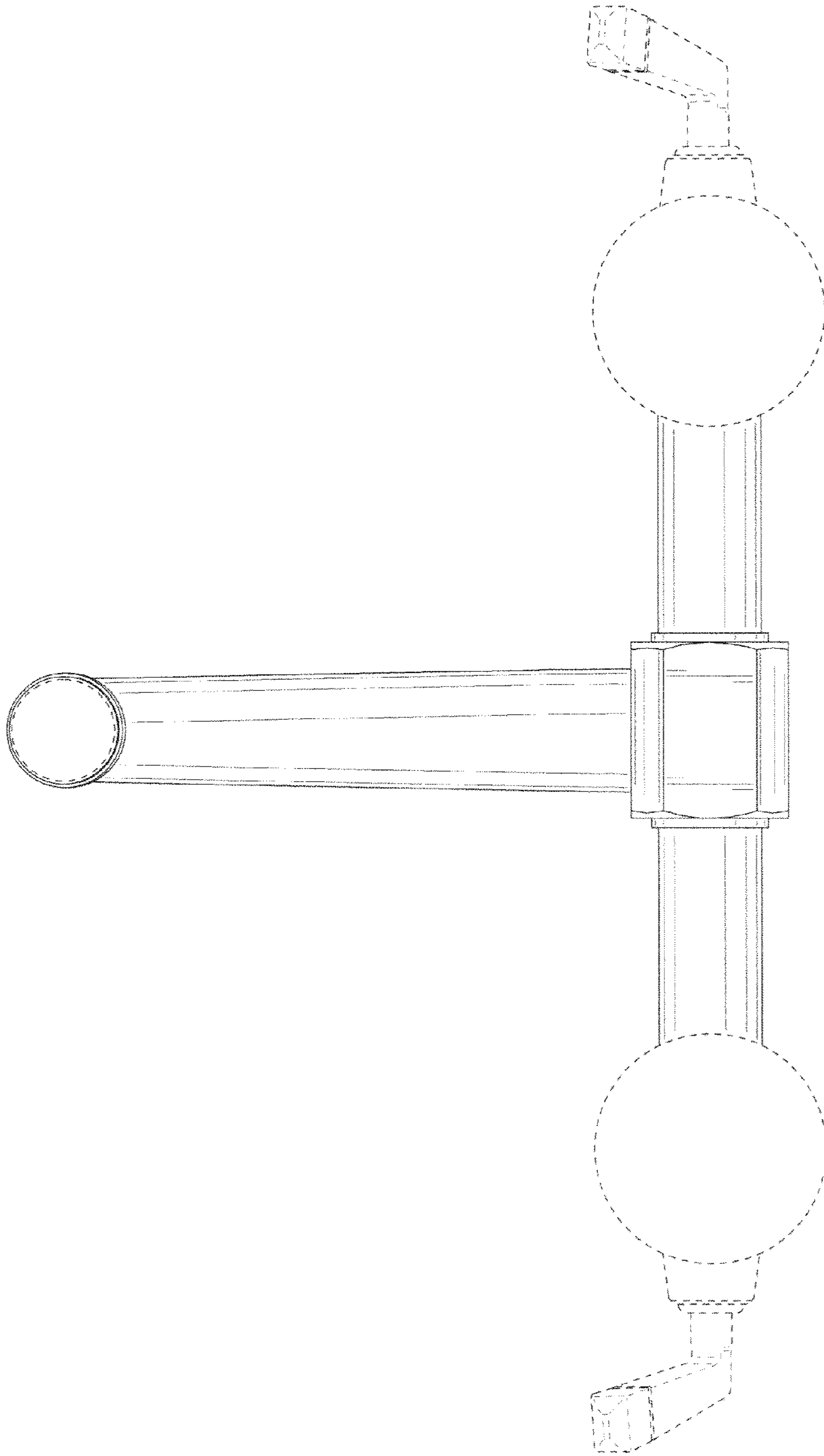


FIG. 7