



US00D712011S

(12) **United States Design Patent**
Du

(10) **Patent No.:** **US D712,011 S**

(45) **Date of Patent:** **** Aug. 26, 2014**

(54) **SANITARY FAUCET**

(71) Applicant: **Thuy Thanh Du**, Columbia, LA (US)

(72) Inventor: **Thuy Thanh Du**, Columbia, LA (US)

(**) Term: **14 Years**

(21) Appl. No.: **29/464,314**

(22) Filed: **Aug. 15, 2013**

(51) **LOC (10) Cl.** **23-01**

(52) **U.S. Cl.**
USPC **D23/255**

(58) **Field of Classification Search**
USPC D23/238–243, 255, 257, 349;
4/675–678; 137/801

See application file for complete search history.

(56) **References Cited**

U.S. PATENT DOCUMENTS

6,014,985 A * 1/2000 Warshawsky 4/677

7,819,137 B2 * 10/2010 Nelson et al. 4/695
2013/0145535 A1 * 6/2013 Parsons et al. 4/626
2013/0192686 A1 * 8/2013 Zhu et al. 137/15.01

* cited by examiner

Primary Examiner — Robert Delehanty

(74) *Attorney, Agent, or Firm* — Richard D. Clarke

(57) **CLAIM**

I claim the ornamental design for a sanitary faucet, as shown and described.

DESCRIPTION

FIG. 1 is a top, front and left side elevation perspective view of the sanitary faucet shown in place mounted on a sanitary sink with shelf;

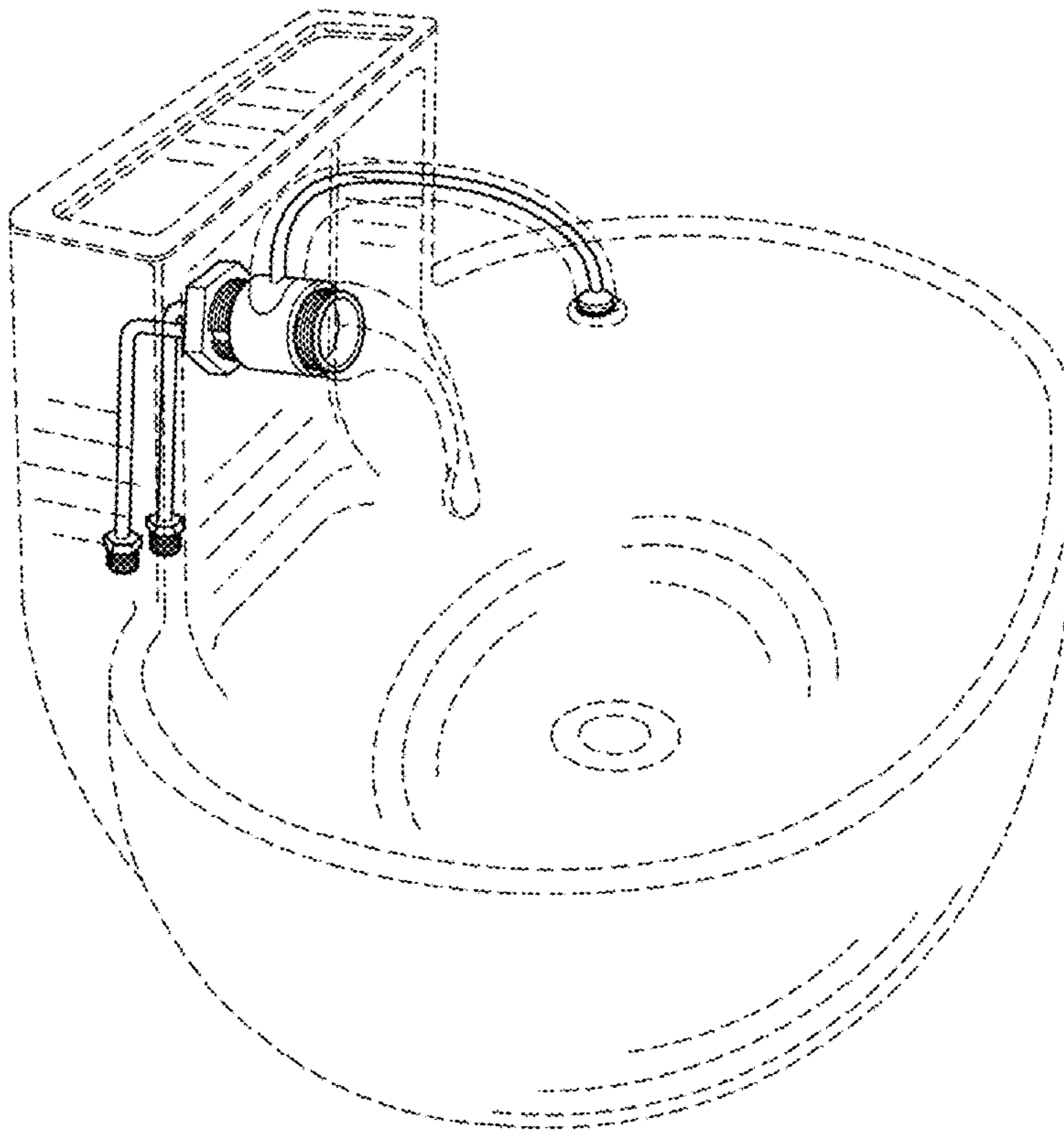
FIG. 2 is an enlarged top plan view of the sanitary faucet;

FIG. 3 is an enlarged left side elevation view of the sanitary faucet, wherein the right side elevation view is a mirror image of same; and,

FIG. 4 is an enlarged bottom view of the sanitary faucet.

The broken lines showing of environment in FIGS. 1-4 is included for the purpose of illustration only and forms no part of the claimed design.

1 Claim, 2 Drawing Sheets



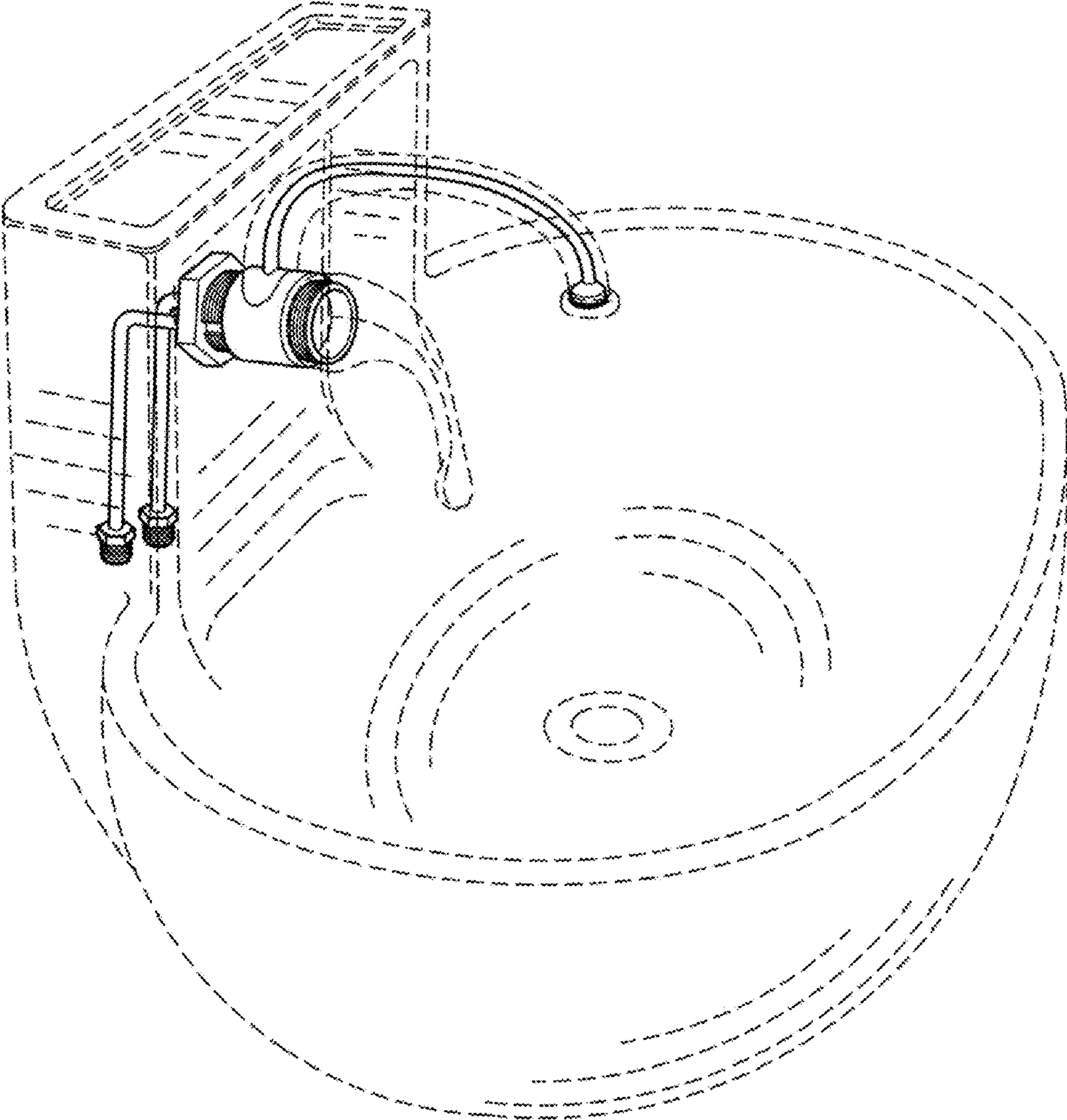


FIG.1

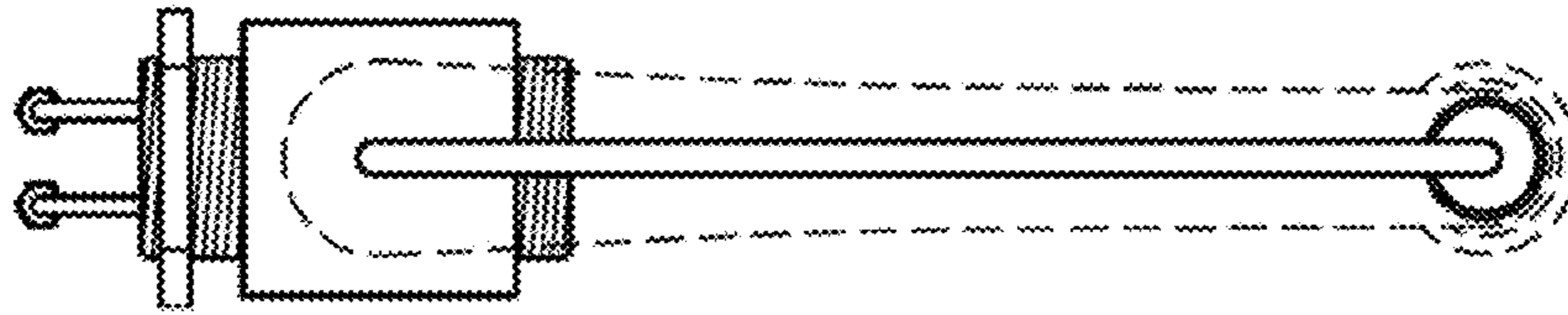


FIG. 2

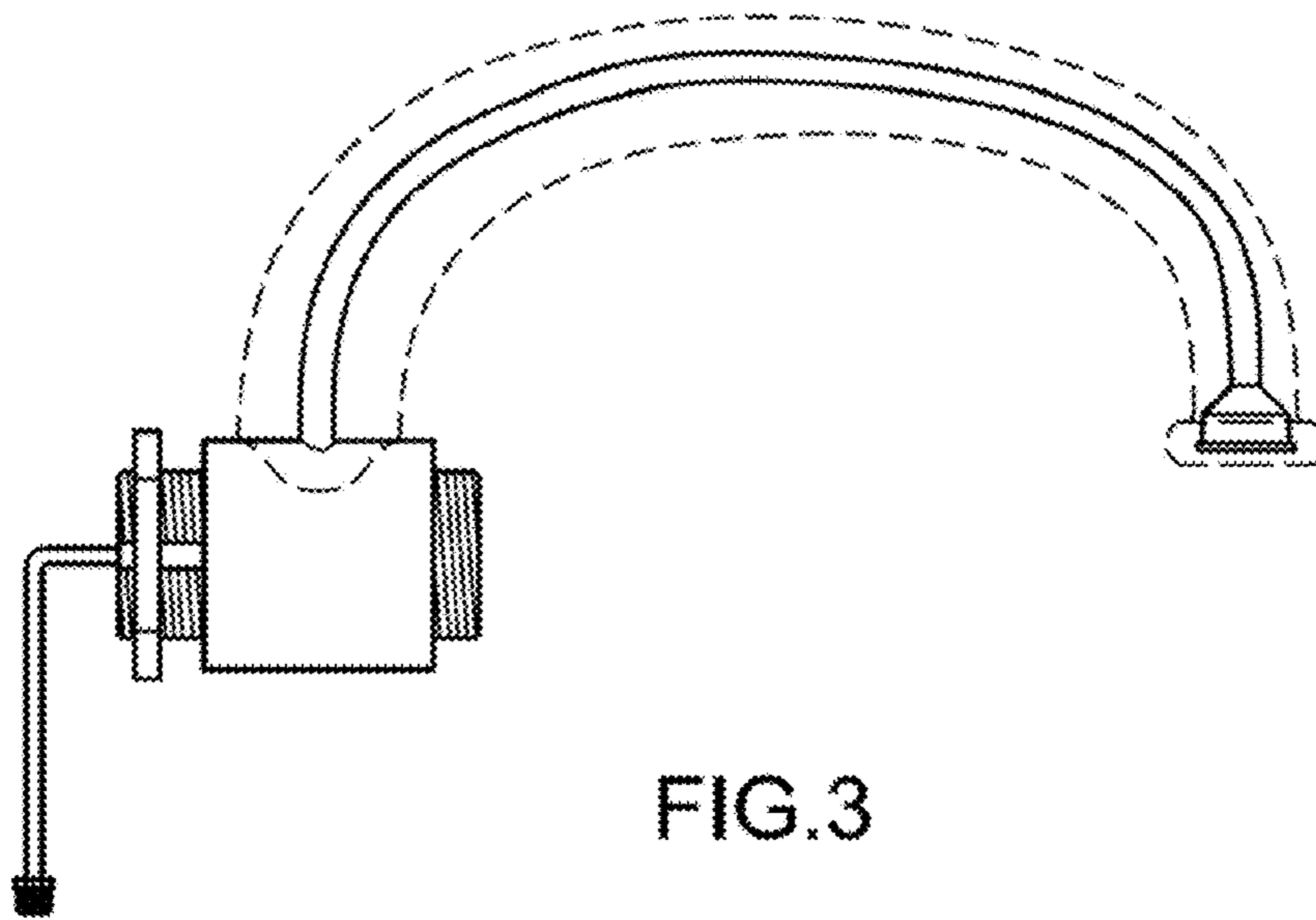


FIG. 3

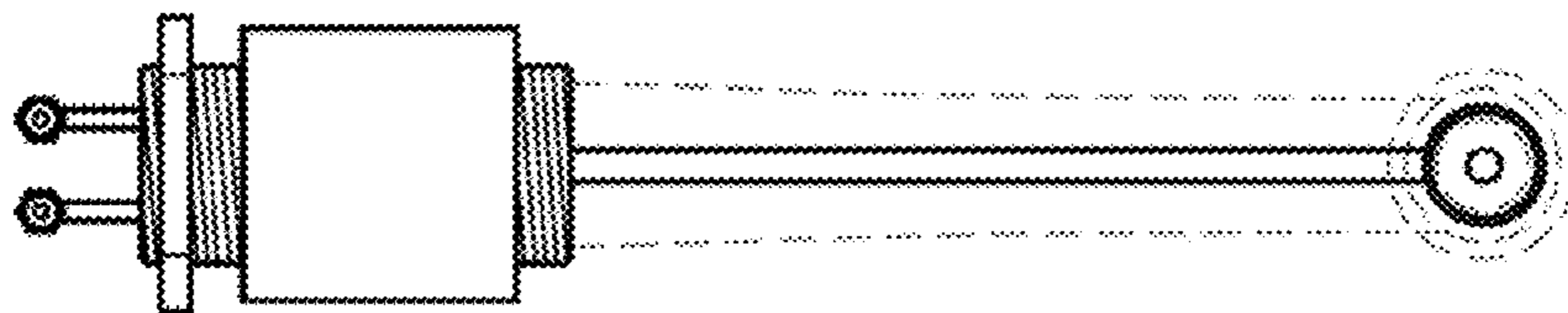


FIG. 4