



US00D712010S

(12) **United States Design Patent**  
**Okutsu et al.**

(10) **Patent No.:** **US D712,010 S**

(45) **Date of Patent:** **\*\* Aug. 26, 2014**

(54) **EXPANSION VALVE**

(71) Applicants: **Kinya Okutsu**, Tokyo (JP); **Takashi Mogi**, Tokyo (JP)

(72) Inventors: **Kinya Okutsu**, Tokyo (JP); **Takashi Mogi**, Tokyo (JP)

(73) Assignee: **Fujikoki Corporation**, Tokyo (JP)

(\*\*) Term: **14 Years**

(21) Appl. No.: **29/463,203**

(22) Filed: **Sep. 5, 2013**

(30) **Foreign Application Priority Data**

Jun. 21, 2013 (JP) ..... 2013-014067

(51) **LOC (10) Cl.** ..... **23-01**

(52) **U.S. Cl.**  
USPC ..... **D23/233**

(58) **Field of Classification Search**  
CPC ... F16K 11/0655; F16K 11/065; F16K 11/07;  
F16K 11/0712; F16K 31/082  
USPC ..... D23/233-237, 244-249; 137/625, 48;  
251/14, 64; 62/115, 197, 210,  
62/222-225, 527, 63, 64, 66, 92 B;  
285/189, 208, 211, 368  
See application file for complete search history.

(56) **References Cited**

**U.S. PATENT DOCUMENTS**

D413,373 S \* 8/1999 Watanabe ..... D23/233  
D440,632 S \* 4/2001 Fukuda et al. .... D23/233

D589,118 S \* 3/2009 Watanabe ..... D23/233  
D621,475 S \* 8/2010 Matsumoto ..... D23/233  
D649,222 S \* 11/2011 Kobayashi et al. .... D23/233  
D683,820 S \* 6/2013 Watanabe et al. .... D23/233  
D701,590 S \* 3/2014 Kaneko ..... D23/233

\* cited by examiner

*Primary Examiner* — Cynthia Ramirez

(74) *Attorney, Agent, or Firm* — Manabu Kanesaka

(57) **CLAIM**

The ornamental design for an expansion valve, as shown and described.

**DESCRIPTION**

FIG. 1 is a front perspective view of an expansion valve showing our new design;

FIG. 2 is a rear perspective view thereof;

FIG. 3 is a front view thereof;

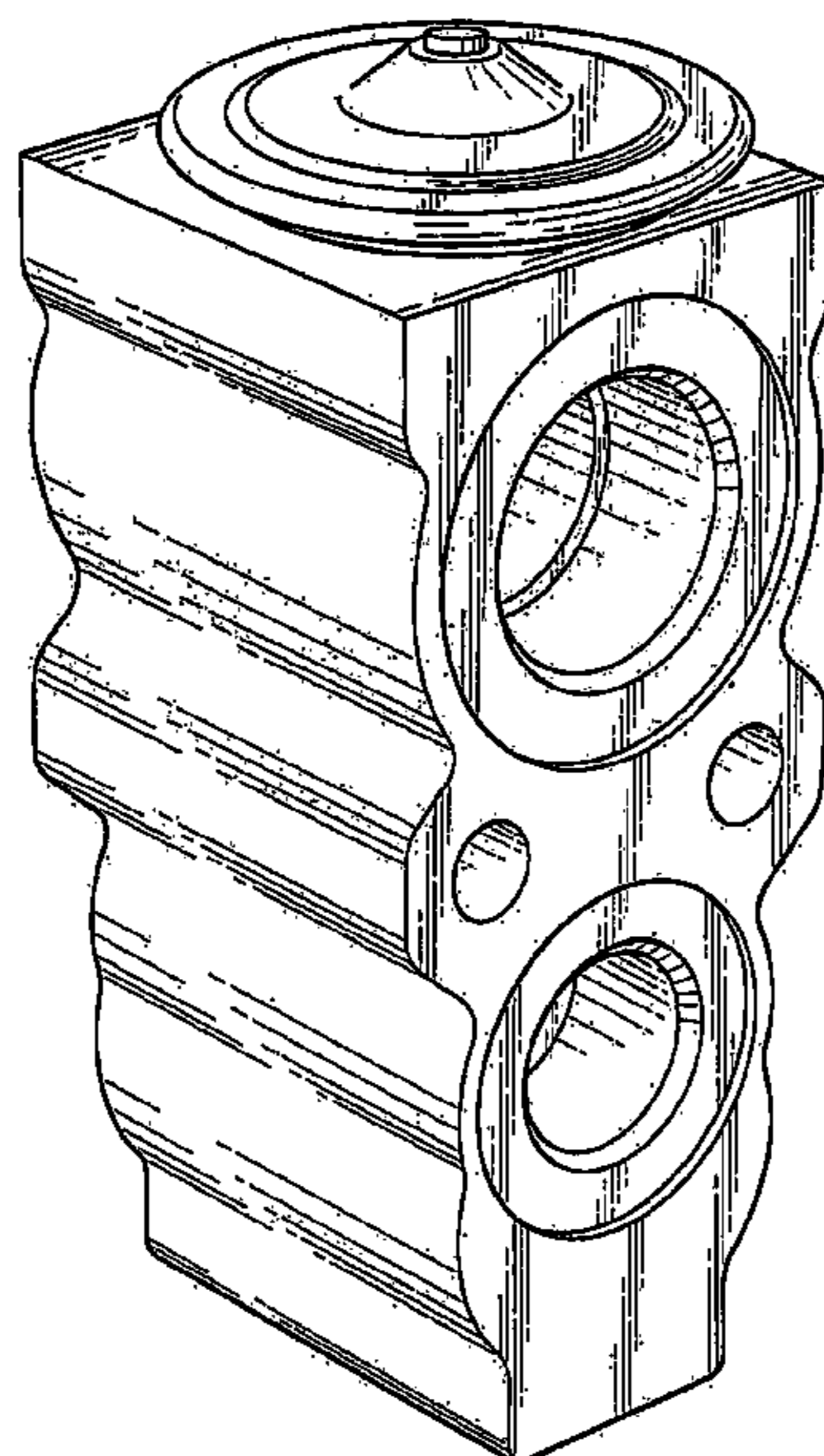
FIG. 4 is a rear view thereof;

FIG. 5 is a left side view thereof, a right side view being symmetrical to the left side view;

FIG. 6 is a plan view thereof; and,

FIG. 7 is a bottom view thereof.

**1 Claim, 7 Drawing Sheets**



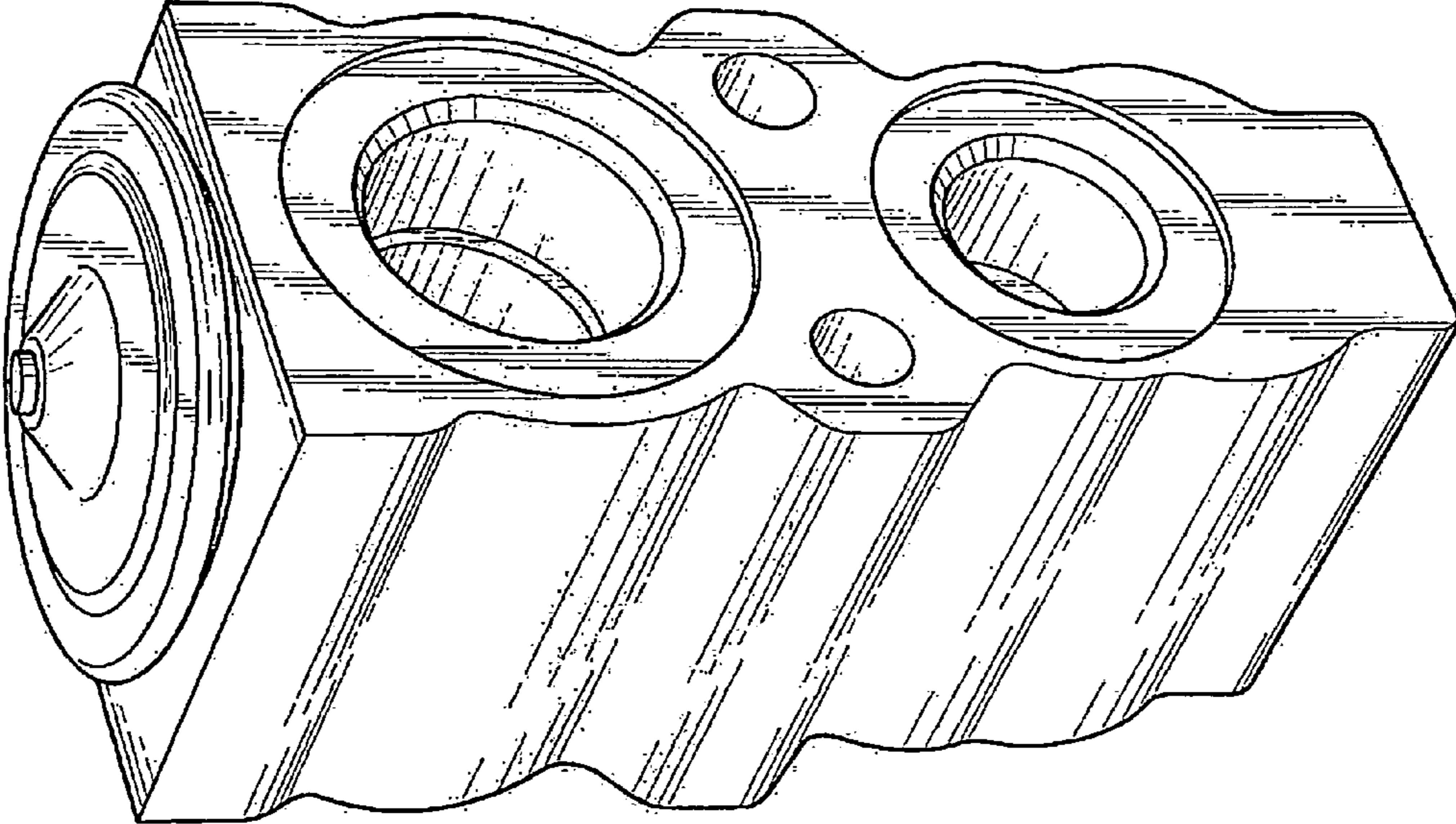


Fig. 1

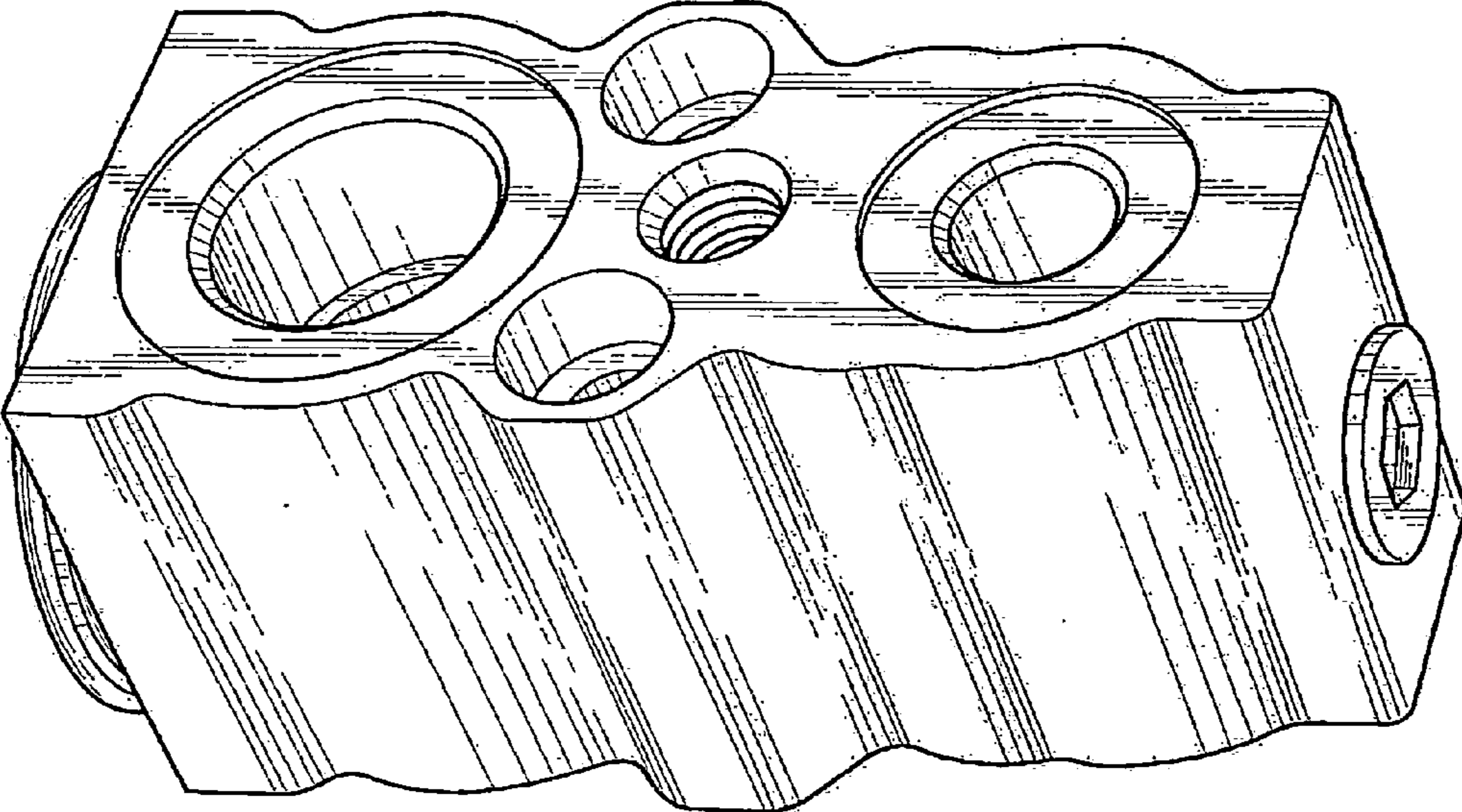


Fig. 2

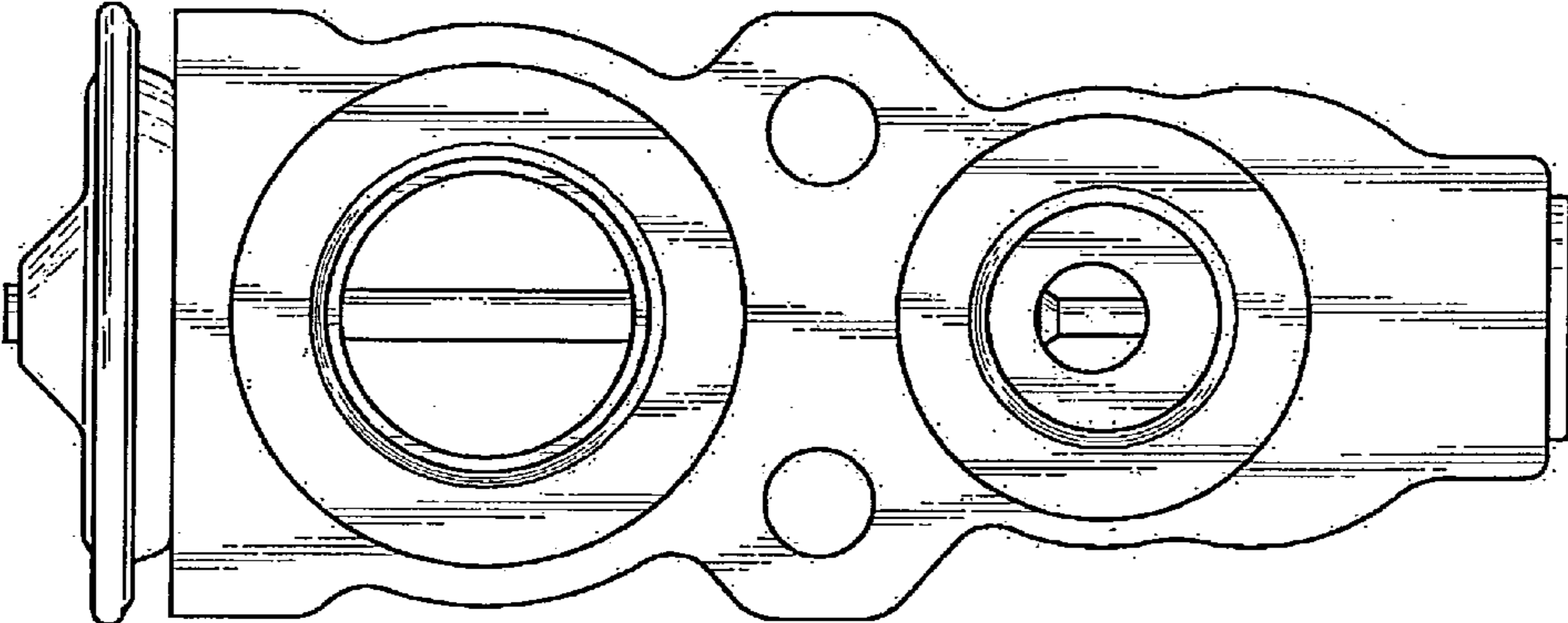


Fig. 3

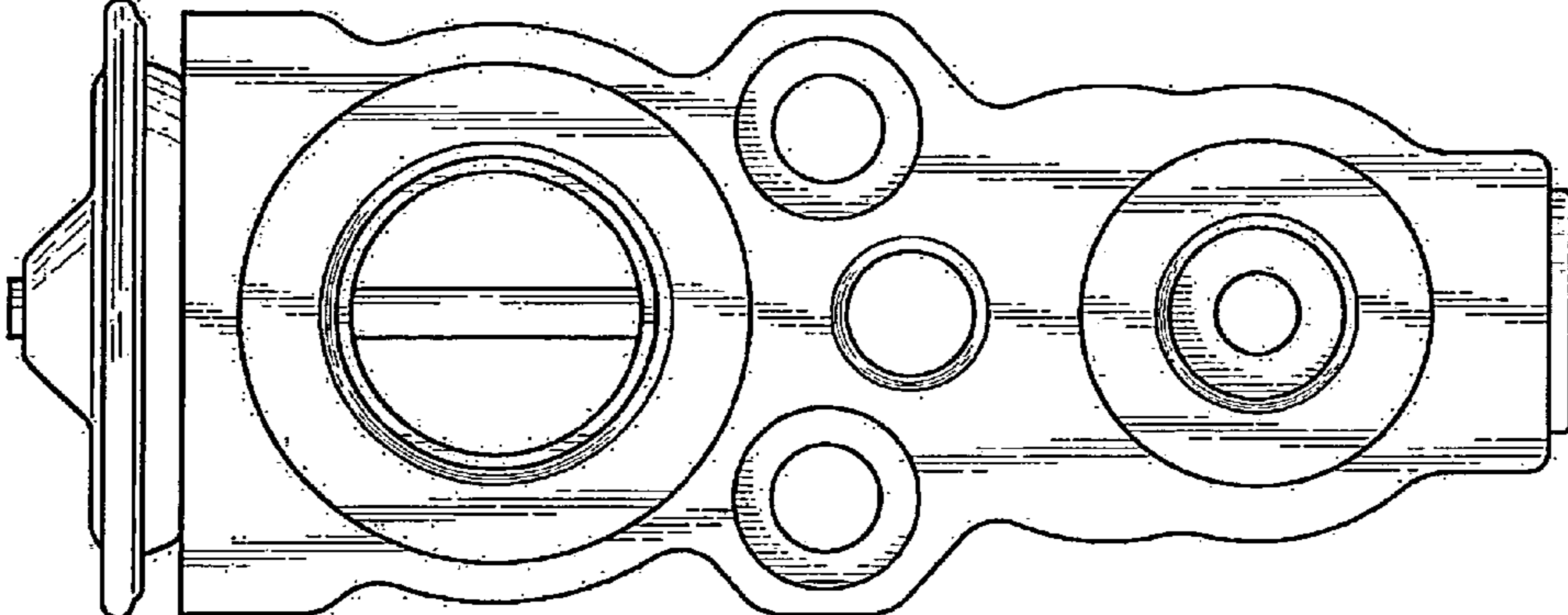


Fig. 4

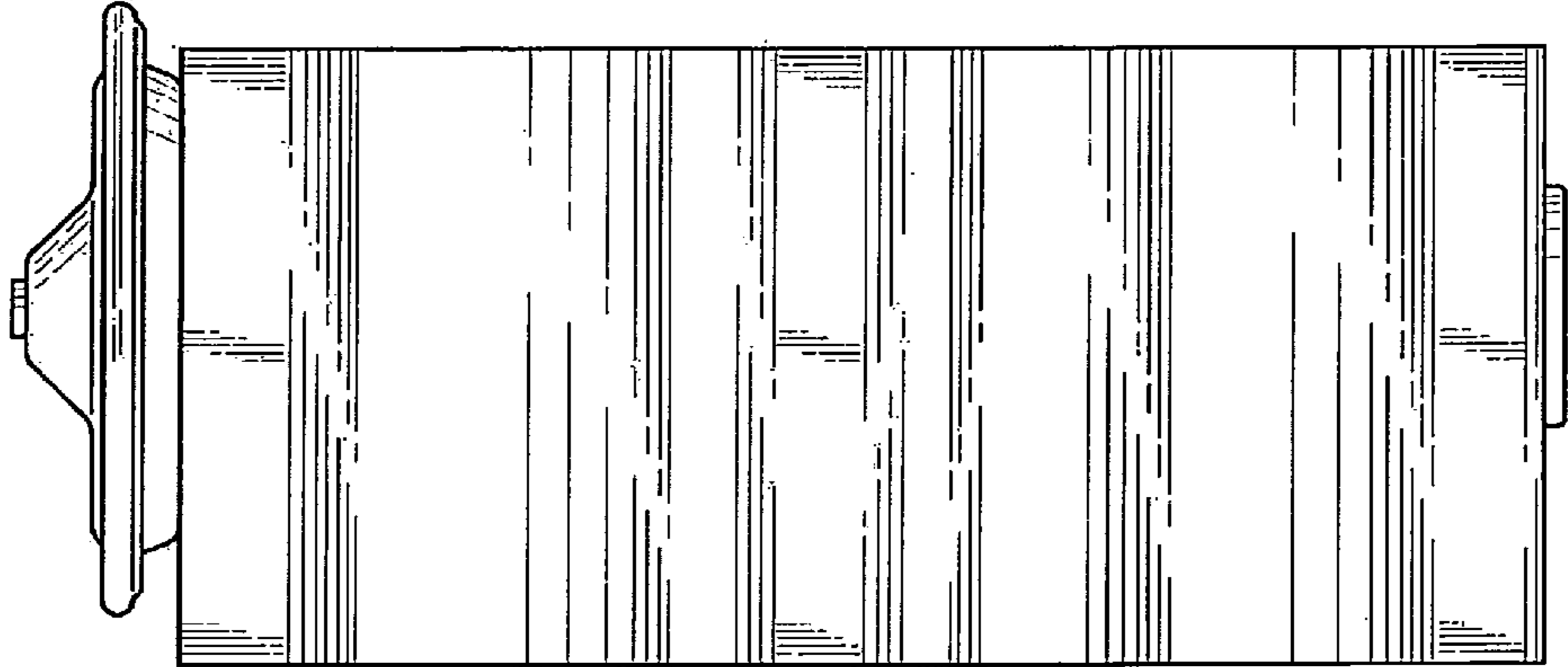


Fig. 5

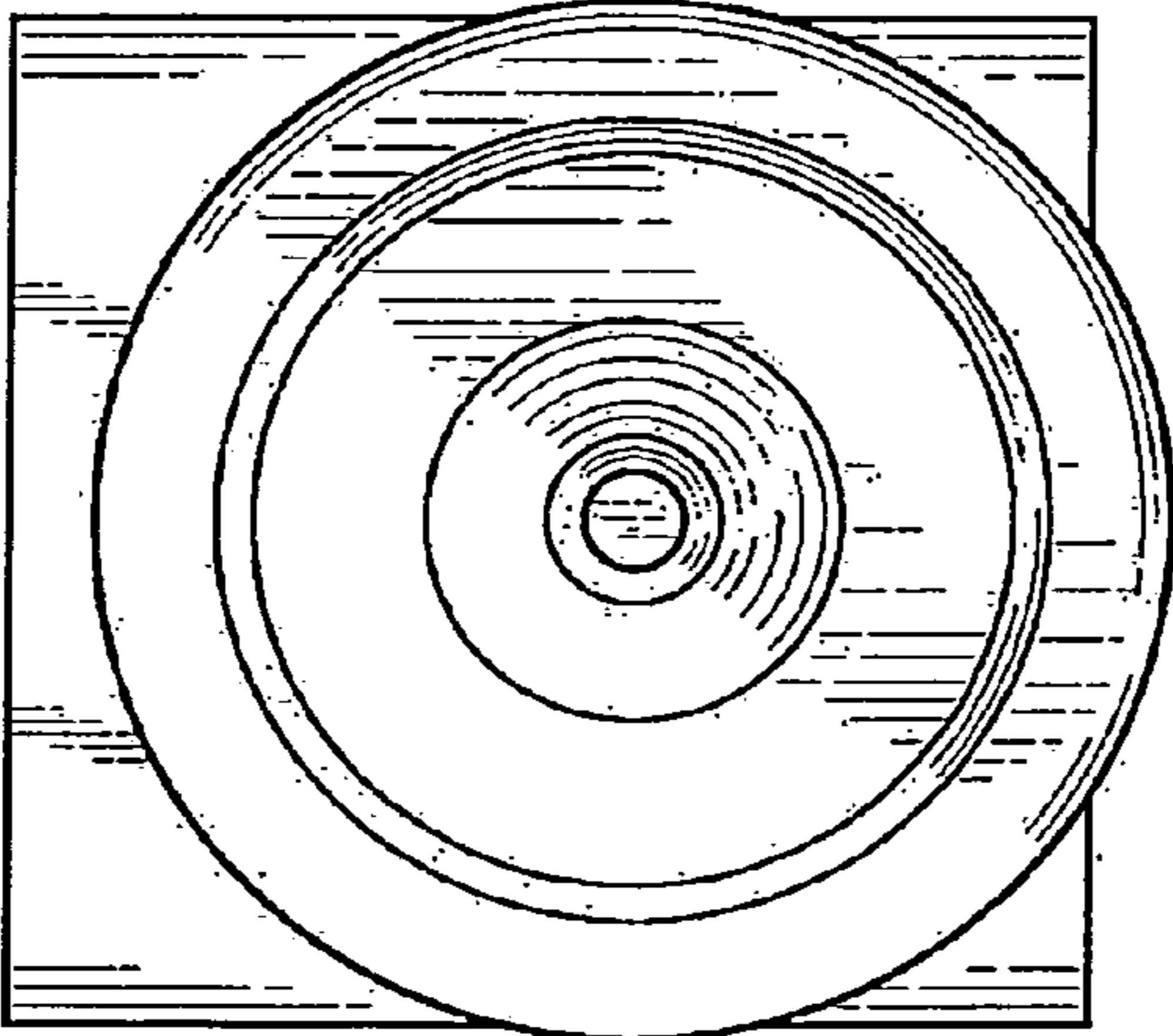


Fig. 6

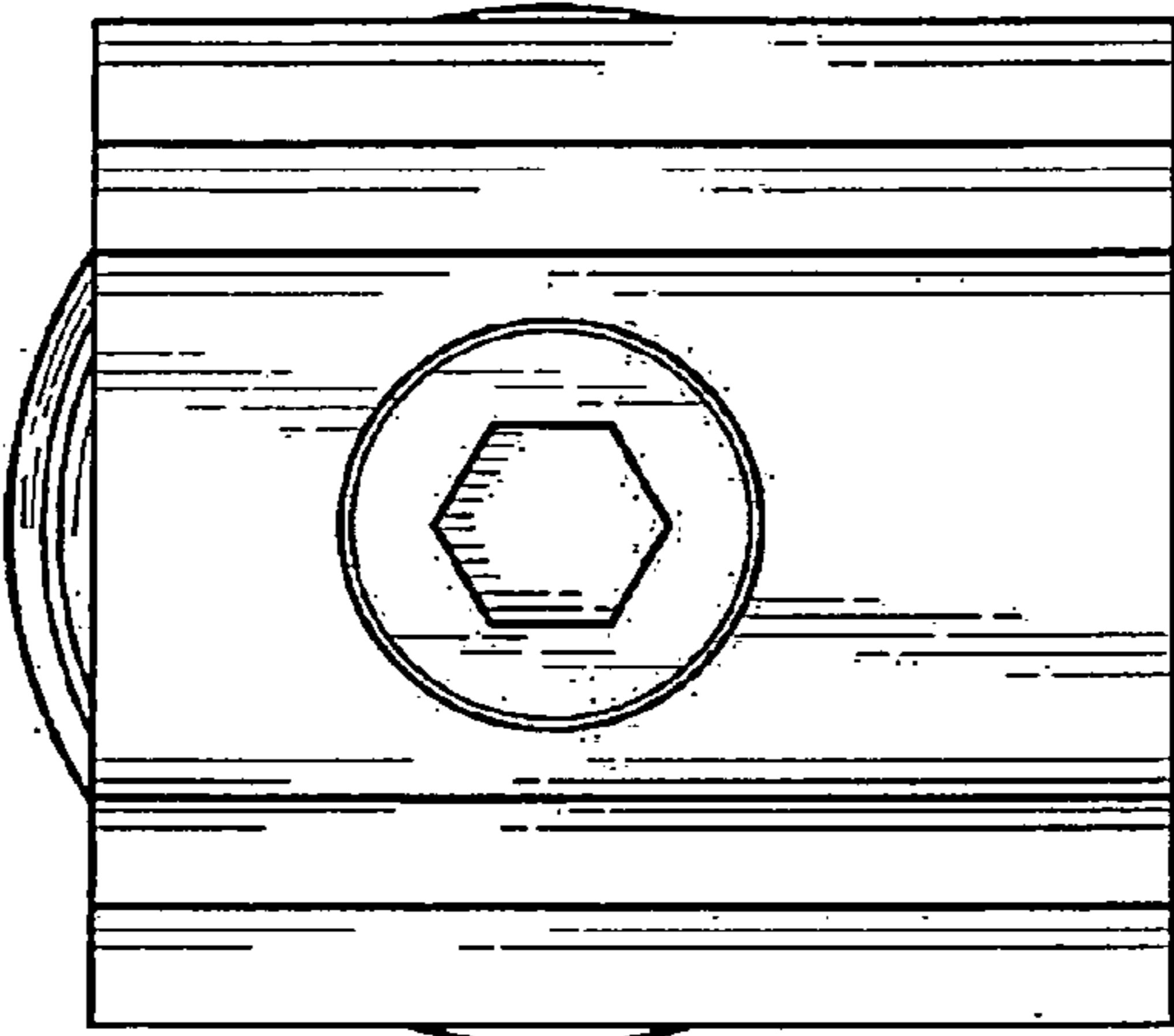


Fig. 7