



US00D712009S

(12) **United States Design Patent**  
**Gopalan et al.**

(10) **Patent No.:** **US D712,009 S**

(45) **Date of Patent:** **\*\* Aug. 26, 2014**

(54) **FLUIDIC NOZZLE INSERT**

(71) Applicant: **Bowles Fluidics Corporation,**  
Columbia, MD (US)

(72) Inventors: **Shridhar Gopalan,** Westminster, MD  
(US); **Evan Hartranft,** Baltimore, MD  
(US); **Gregory Russell,** Catonsville, MD  
(US)

(73) Assignee: **Bowles Fluidics Corporation,**  
Columbia, MD (US)

(\*\*) Term: **14 Years**

(21) Appl. No.: **29/461,460**

(22) Filed: **Jul. 23, 2013**

**Related U.S. Application Data**

(63) Continuation-in-part of application No. 13/840,981,  
filed on Mar. 15, 2013.

(51) **LOC (10) Cl.** ..... **23-01**

(52) **U.S. Cl.**  
USPC ..... **D23/213**

(58) **Field of Classification Search**  
USPC ..... D23/213; D9/444, 445, 447, 448;  
239/589.1, 295, 296, 297

See application file for complete search history.

(56) **References Cited**

U.S. PATENT DOCUMENTS

3,608,832	A *	9/1971	Hughes et al. ....	239/419
4,349,153	A *	9/1982	Johnson .....	239/105
4,386,739	A *	6/1983	Kwok .....	239/296
5,161,716	A *	11/1992	Knickerbocker .....	222/153.1
5,820,034	A *	10/1998	Hess .....	239/589.1
5,878,959	A *	3/1999	Smolen et al. ....	239/121
7,354,008	B2 *	4/2008	Hester et al. ....	239/589.1
7,780,098	B2 *	8/2010	Foster et al. ....	239/394

\* cited by examiner

*Primary Examiner* — Robin V Webster

(74) *Attorney, Agent, or Firm* — J.A. McKinney & Assoc.,  
LLC

(57) **CLAIM**

The ornamental design for fluidic nozzle insert, as shown and described

**DESCRIPTION**

FIG. 1 is a front perspective view of the fluidic nozzle insert within a typical sprayer head, in elevation.

FIG. 2 is a front perspective view, in elevation.

FIG. 3 is a front view, in elevation and showing the axis for the cross section view in FIG. 7.

FIG. 4 is a right side view, in elevation.

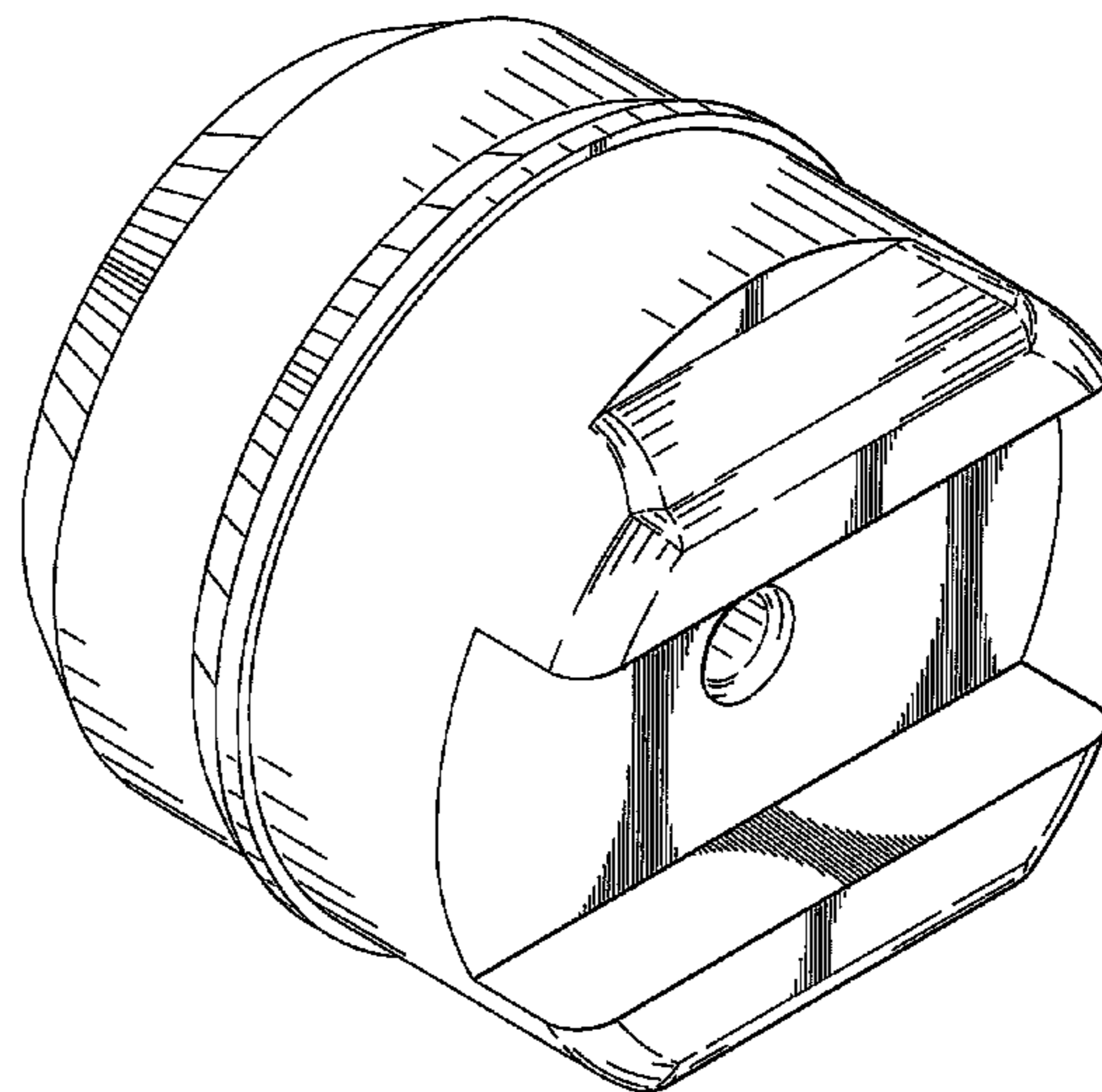
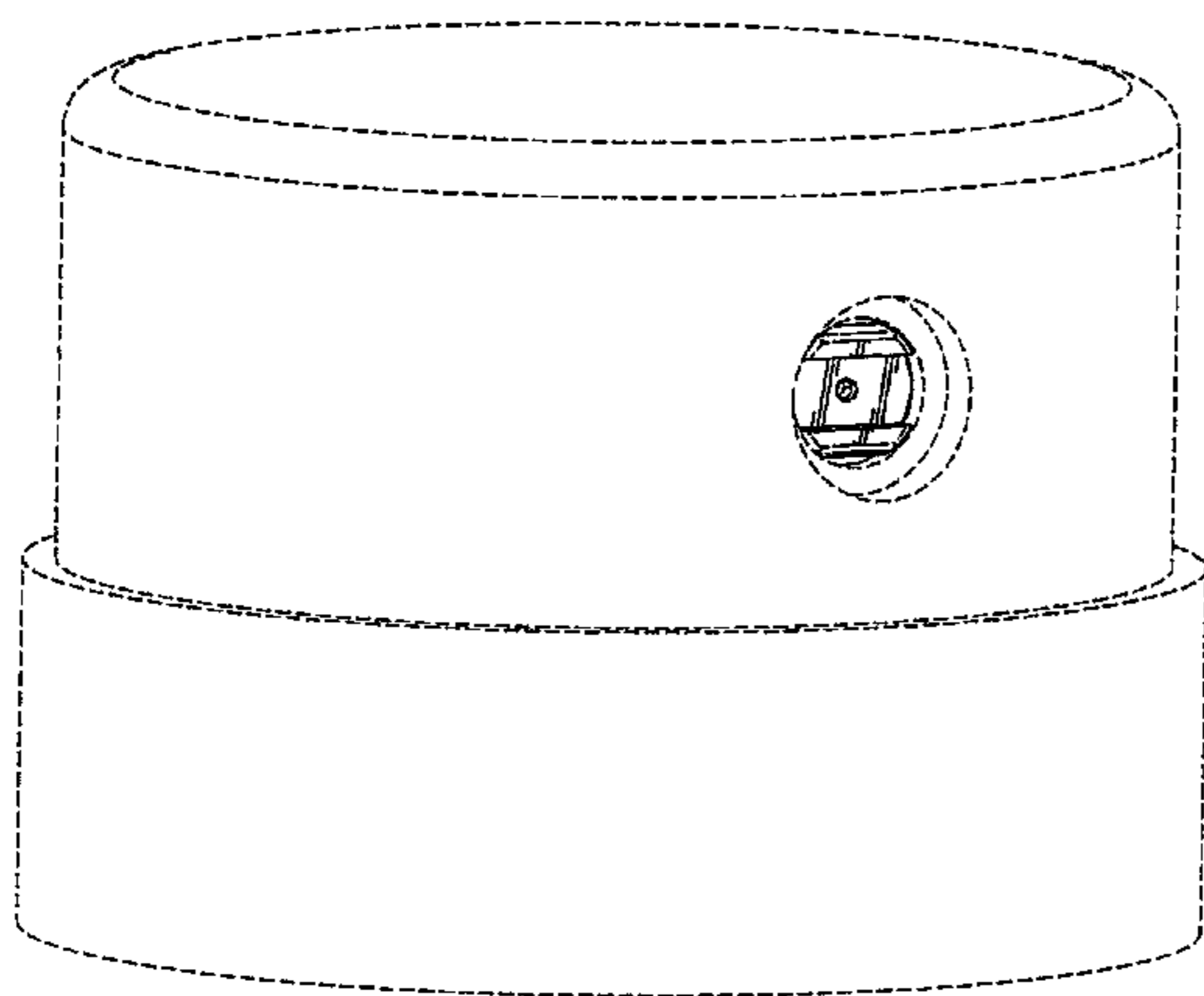
FIG. 5 is a rear view, in elevation.

FIG. 6 is a left side view, in elevation; and,

FIG. 7 is a cross sectional view, in elevation, taken along the axis "7-7" shown in FIG. 3.

The broken line showing in FIG. 1 is included for the purpose of illustrating and forms no part of the claimed design.

**1 Claim, 7 Drawing Sheets**



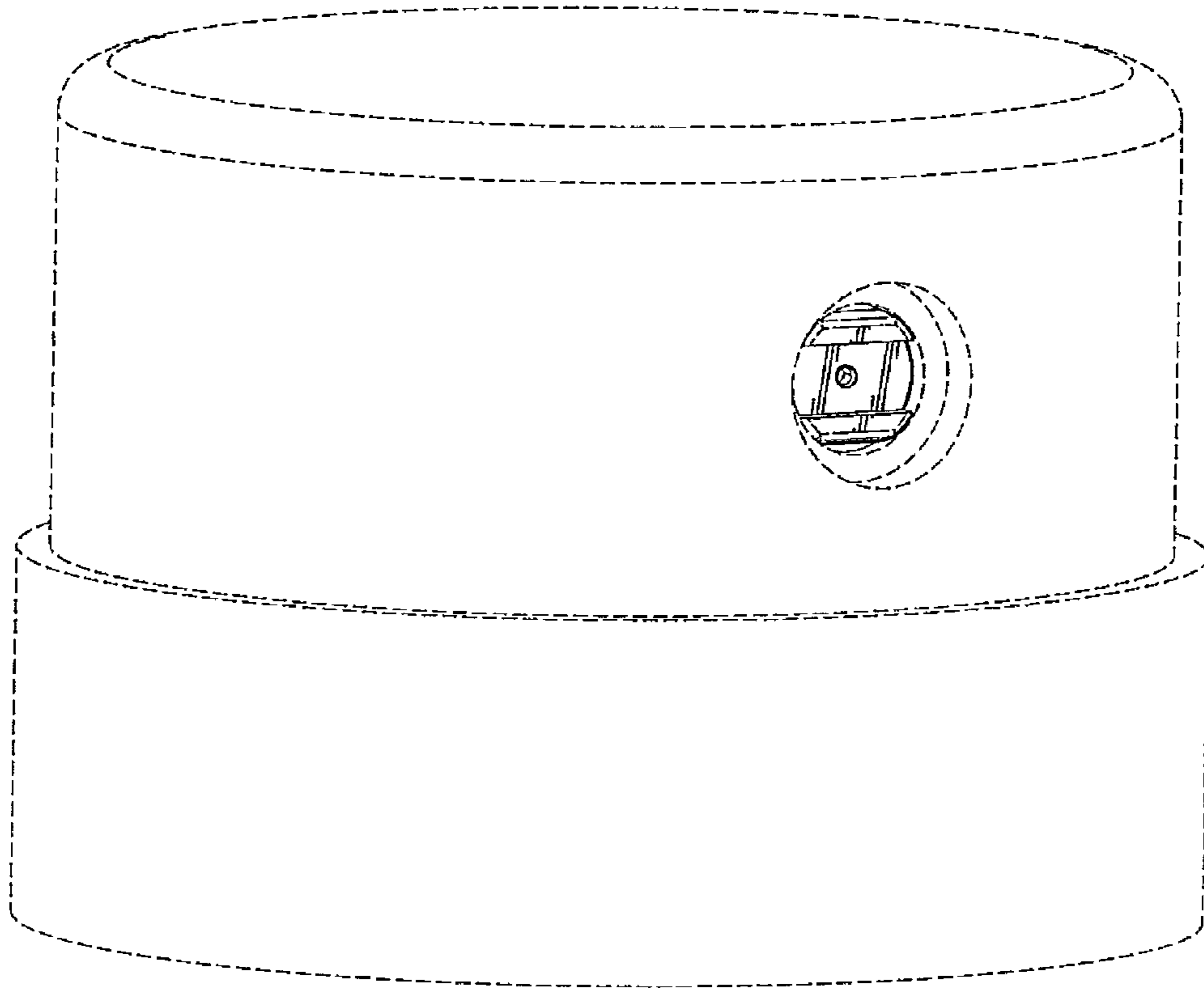


FIG. 1

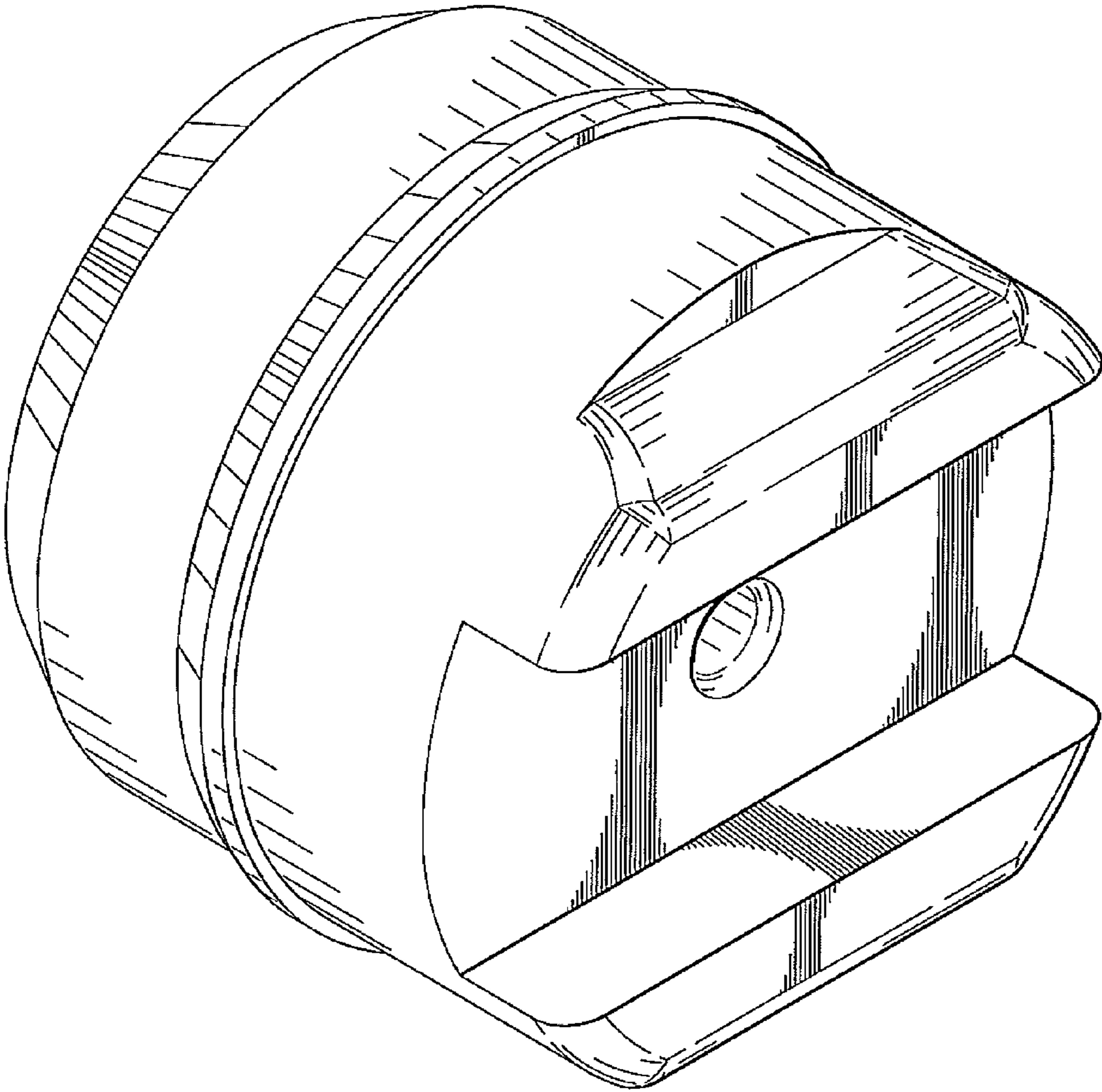


FIG. 2

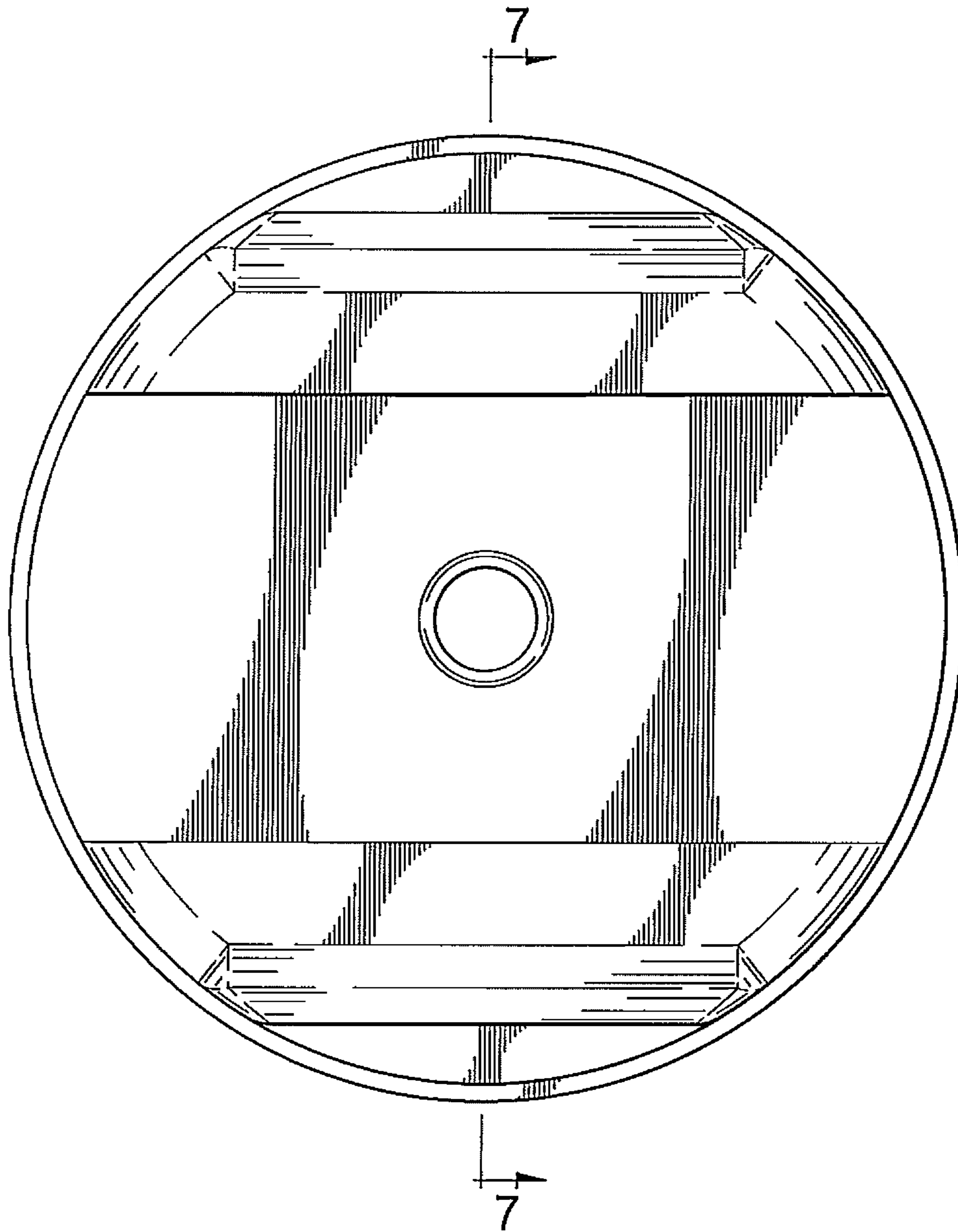


FIG. 3

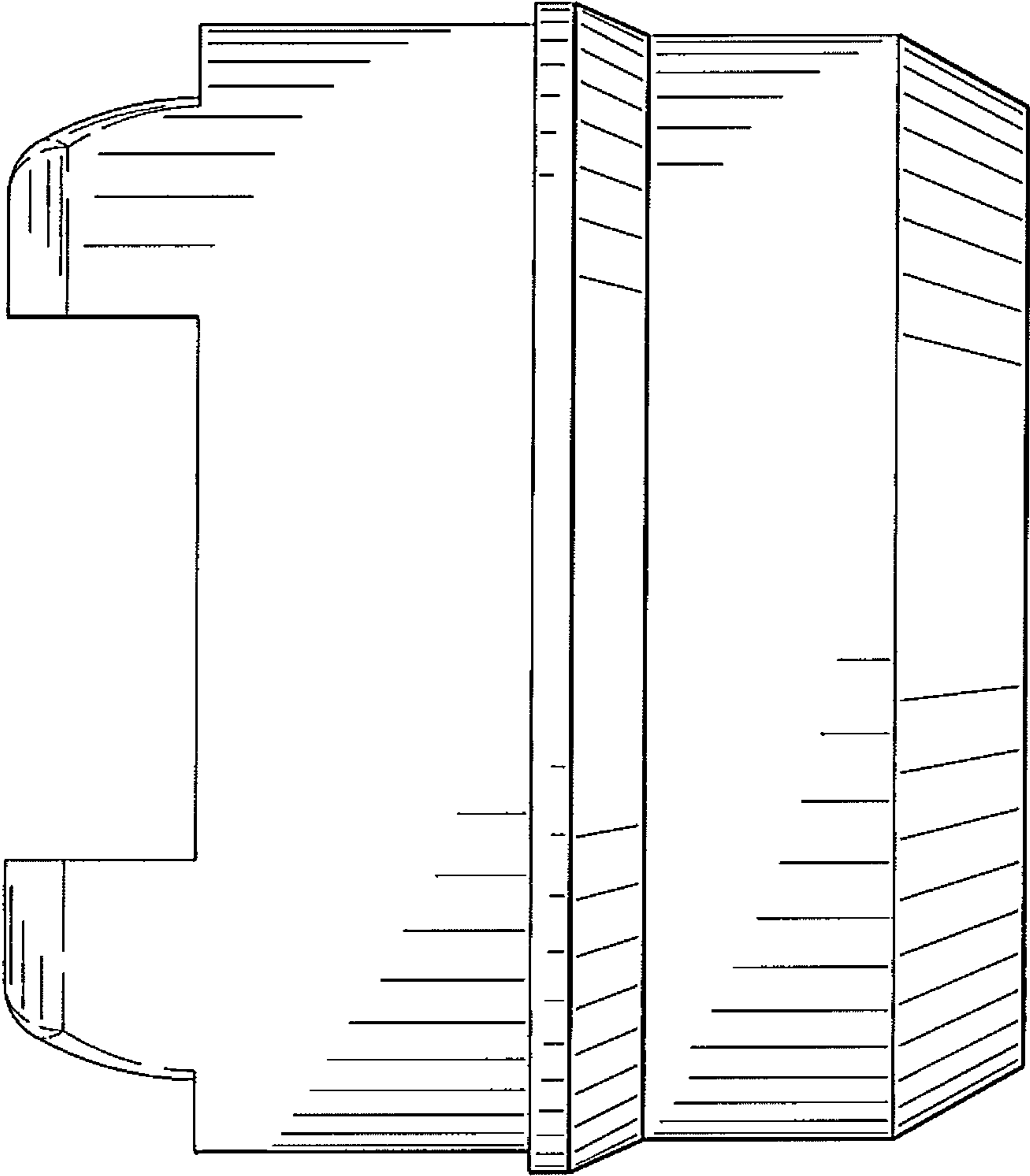


FIG. 4



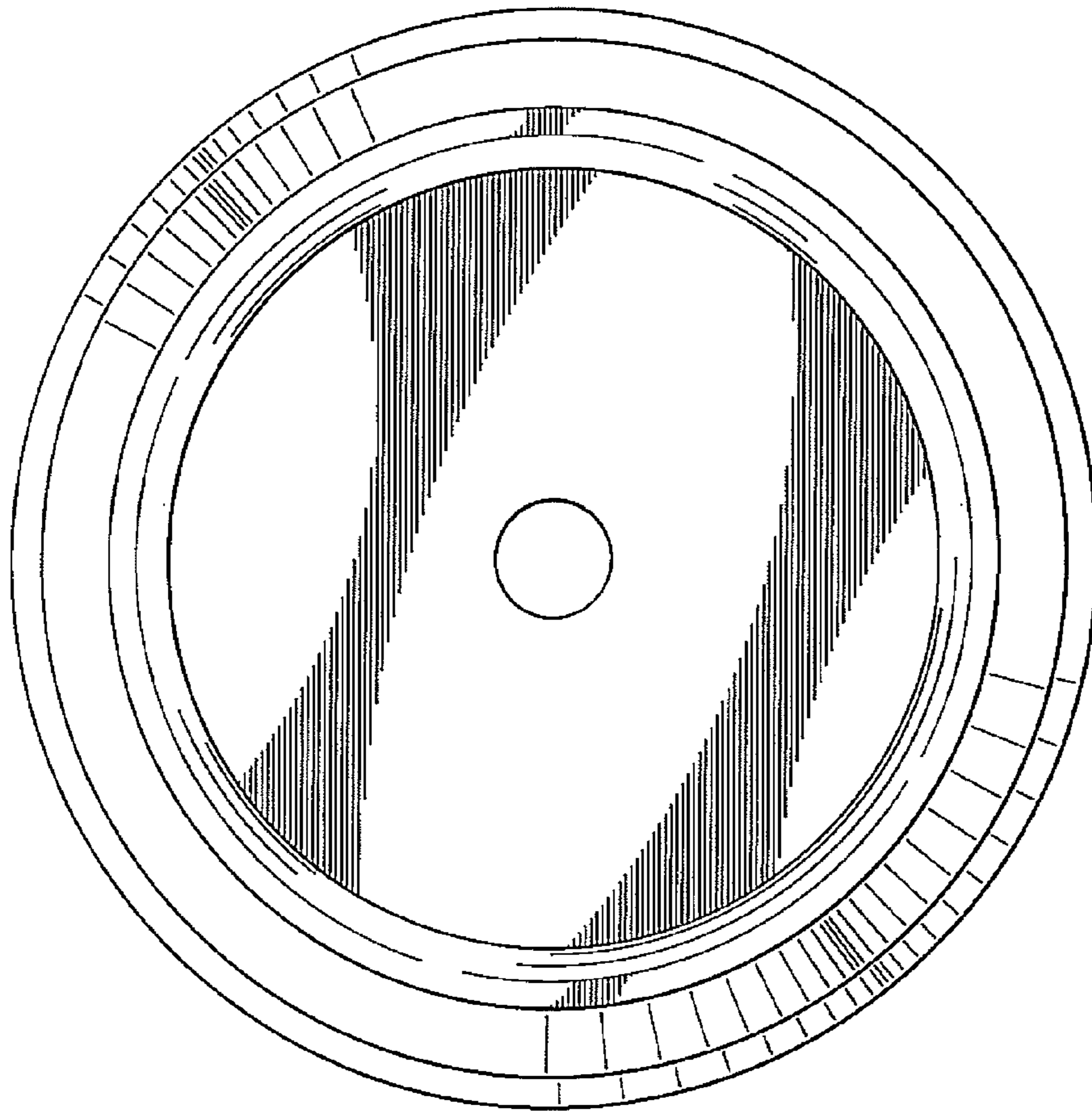


FIG. 5

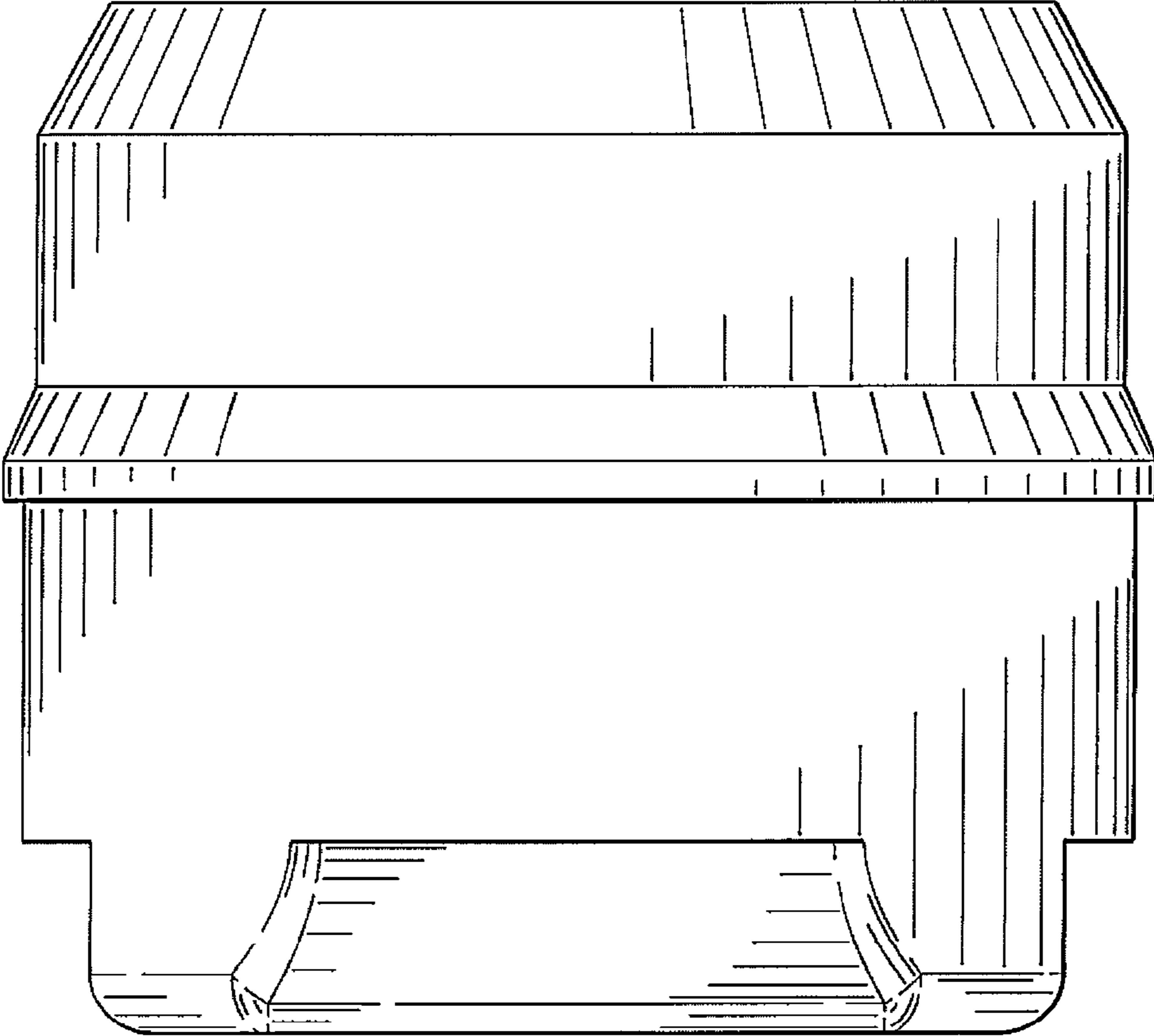


FIG. 6

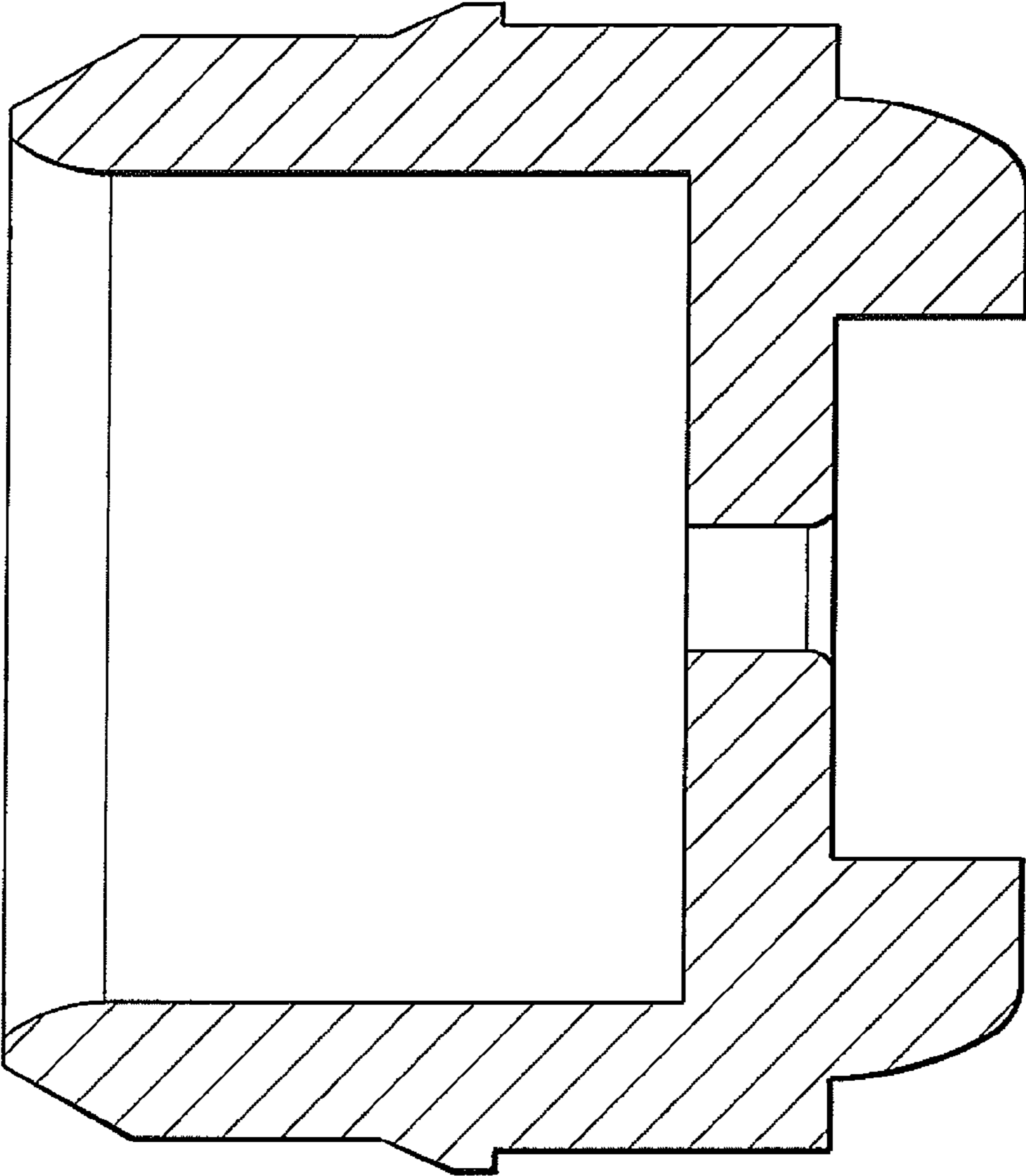


FIG. 7