

US00D712007S

(12) **United States Design Patent**
Reid

(10) **Patent No.:** **US D712,007 S**

(45) **Date of Patent:** **** Aug. 26, 2014**

(54) **FILTER FOR LIQUID**

(71) Applicant: **Roger P. Reid**, Caldwell, ID (US)

(72) Inventor: **Roger P. Reid**, Caldwell, ID (US)

(73) Assignee: **Omnipure Filter Company, Inc.**,
Caldwell, ID (US)

(**) Term: **14 Years**

(21) Appl. No.: **29/451,844**

(22) Filed: **Apr. 9, 2013**

Related U.S. Application Data

(63) Continuation-in-part of application No. 29/356,845,
filed on Mar. 3, 2010, now Pat. No. Des. 679,779.

(51) **LOC (10) Cl.** **23-01**

(52) **U.S. Cl.**
USPC **D23/209**

(58) **Field of Classification Search**
USPC D23/200, 207, 209, 210, 233-237,
D23/244-249, 259-269, 310; 210/234-236
See application file for complete search history.

(56) **References Cited**

U.S. PATENT DOCUMENTS

D93,910 S	11/1934	Camp
1,999,913 A	4/1935	Merritt
2,568,196 A	9/1951	Kennedy
2,991,885 A	7/1961	Gutkowski

(Continued)

FOREIGN PATENT DOCUMENTS

AU	752306 C	2/2002
DE	19827297 A1	12/1999

(Continued)

OTHER PUBLICATIONS

English translation of application data for DE 199 25 297 C1.

(Continued)

Primary Examiner — Robin V Webster

(74) *Attorney, Agent, or Firm* — Pedersen and Company,
PLLC; Ken J. Pedersen; Barbara S. Pedersen

(57) **CLAIM**

The ornamental design for a filter for liquid, as shown and described.

DESCRIPTION

FIG. 1 is a perspective view of a first embodiment of a filter for liquid showing the design.

FIG. 2 is a left side view thereof.

FIG. 3 is a front view thereof.

FIG. 4 is a right side view thereof.

FIG. 5 is a rear view thereof.

FIG. 6 is a top view thereof.

FIG. 7 is a bottom view thereof.

FIG. 8 is a perspective view of a second embodiment of a filter for liquid showing the design.

FIG. 9 is a left side view thereof.

FIG. 10 is a front view thereof.

FIG. 11 is a right side view thereof.

FIG. 12 is a rear view thereof.

FIG. 13 is a top view thereof.

FIG. 14 is a bottom view thereof.

FIG. 15 is a perspective view of a third embodiment of a filter for liquid showing the design.

FIG. 16 is a left side view thereof.

FIG. 17 is a front view thereof.

FIG. 18 is a right side view thereof.

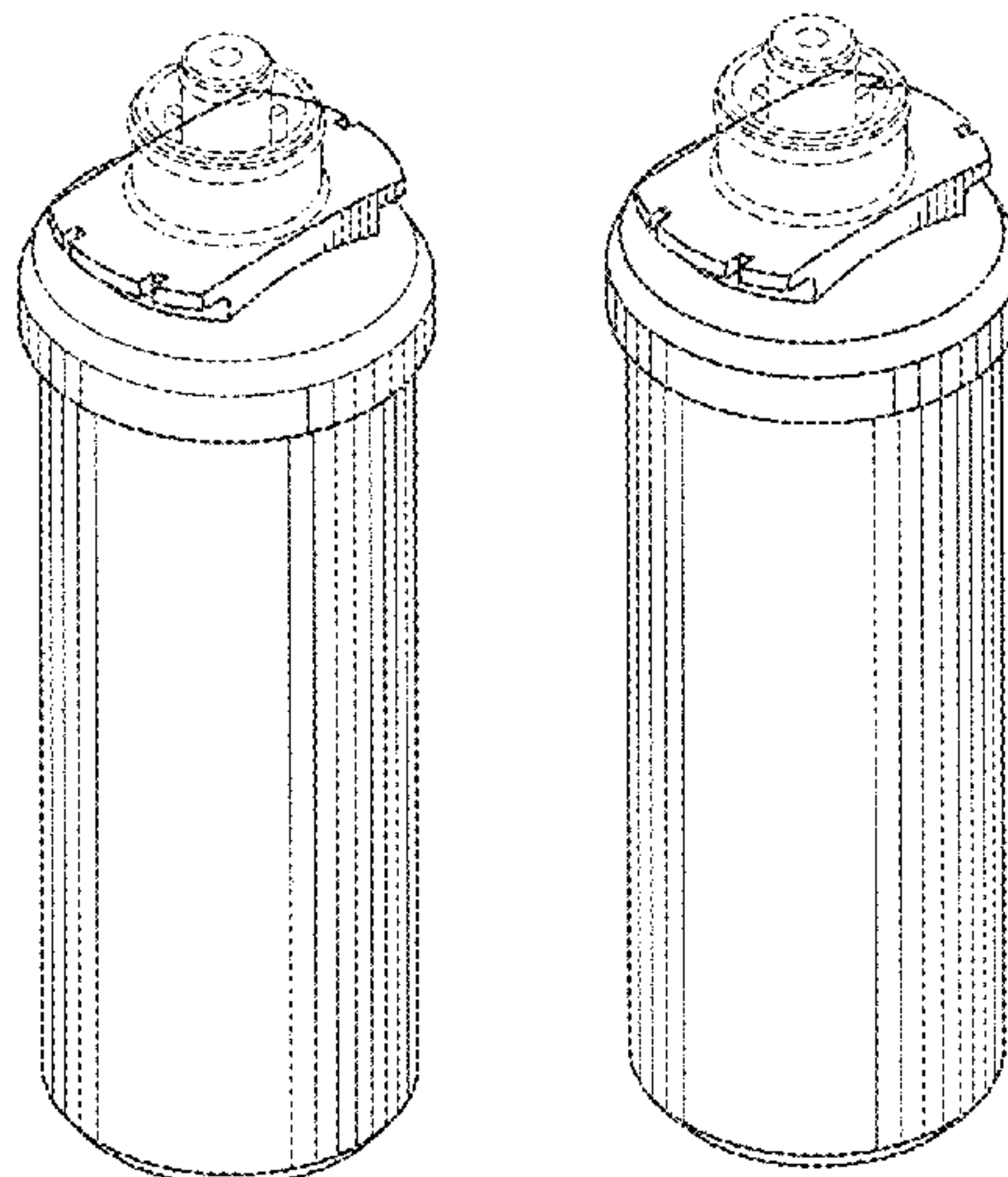
FIG. 19 is a rear view thereof.

FIG. 20 is a top view thereof; and,

FIG. 21 is a bottom view thereof.

The broken line areas of the figures show environmental matter and form no part of the claimed design.

1 Claim, 6 Drawing Sheets



(56)

References Cited

U.S. PATENT DOCUMENTS

3,107,601 A 10/1963 Longmire
 3,287,031 A 11/1966 Simmons
 3,397,135 A 8/1968 Otto
 3,685,539 A 8/1972 Warren
 3,753,495 A 8/1973 Bjork
 3,950,251 A 4/1976 Hiller
 4,211,439 A 7/1980 Moldestad
 4,267,042 A 5/1981 Hoffmann
 D288,348 S 2/1987 Maddock
 4,857,191 A 8/1989 Wolf
 4,877,521 A 10/1989 Petrucci et al.
 4,948,505 A 8/1990 Petrucci et al.
 4,956,086 A 9/1990 Thomsen et al.
 5,017,285 A 5/1991 Janik et al.
 5,035,797 A 7/1991 Janik
 5,092,999 A 3/1992 Valenzuela et al.
 5,108,598 A 4/1992 Posner
 5,114,572 A 5/1992 Hunter et al.
 RE34,031 E 8/1992 Thomsen et al.
 RE34,050 E 9/1992 Thomsen et al.
 5,186,829 A 2/1993 Janik
 5,236,579 A 8/1993 Janik et al.
 5,342,518 A 8/1994 Posner et al.
 5,397,462 A 3/1995 Higashijima et al.
 5,486,288 A 1/1996 Stanford et al.
 5,651,887 A 7/1997 Posner et al.
 5,766,463 A 6/1998 Janik et al.
 5,837,137 A 11/1998 Janik
 5,925,245 A 7/1999 Bradford et al.
 6,001,249 A 12/1999 Bailey et al.
 6,048,455 A 4/2000 Janik
 6,068,770 A 5/2000 Niermeyer et al.
 6,080,313 A 6/2000 Kelada
 6,187,188 B1 2/2001 Janik et al.
 6,277,277 B1 8/2001 Jacobi
 6,348,149 B1 2/2002 Jenkins
 6,458,269 B1 10/2002 Bassett et al.
 6,579,455 B1 6/2003 Muzik et al.
 6,649,056 B2 11/2003 Fritze
 6,695,891 B2 2/2004 Reid
 6,776,906 B2 8/2004 Reid
 6,843,912 B2 1/2005 Chaney

6,926,826 B2 8/2005 Reid
 6,977,006 B2 12/2005 Reid
 7,138,052 B2 11/2006 Reid
 7,172,693 B2 2/2007 Reid
 7,186,337 B2 3/2007 Reid
 D570,951 S 6/2008 Morita et al.
 7,413,668 B2 8/2008 Reid
 7,476,314 B2 1/2009 Reid
 7,476,315 B2 1/2009 Reid
 D599,880 S 9/2009 Rampen et al.
 D614,257 S 4/2010 Kojima
 D656,578 S 3/2012 Sherman et al.
 D656,579 S 3/2012 Sherman et al.
 D679,779 S 4/2013 Reid
 8,562,830 B2 10/2013 Reid
 2004/0222145 A1 11/2004 Onoue et al.
 2011/0203985 A1 8/2011 Reid

FOREIGN PATENT DOCUMENTS

DE 19925297 C1 7/2000
 DE 19960600 A1 6/2001
 EP 0231862 A2 8/1987
 EP 0269054 A2 6/1988
 EP 0278771 A1 8/1988
 EP 0580501 B1 1/1994
 EP 0887100 A1 12/1998
 GB 771968 A 4/1957
 KR 1999-0086940 A 12/1999
 WO 94/02407 A1 2/1994
 WO 97/45362 A1 12/1997
 WO 01/64312 A1 9/2001
 WO 01/80967 A1 11/2001
 WO 01/83079 A1 11/2001
 WO 02/13944 A2 2/2002
 WO 03/031020 A1 4/2003
 WO 03/072220 A1 9/2003
 WO 2004014519 A3 2/2004

OTHER PUBLICATIONS

PCT International Search Report for PCT/US01/25307, mailed May 22, 2002, Applicant: Reid.
 PCT International Preliminary Examination Report for PCT/US01/25307, mailed Jun. 6, 2003, Applicant: Reid.

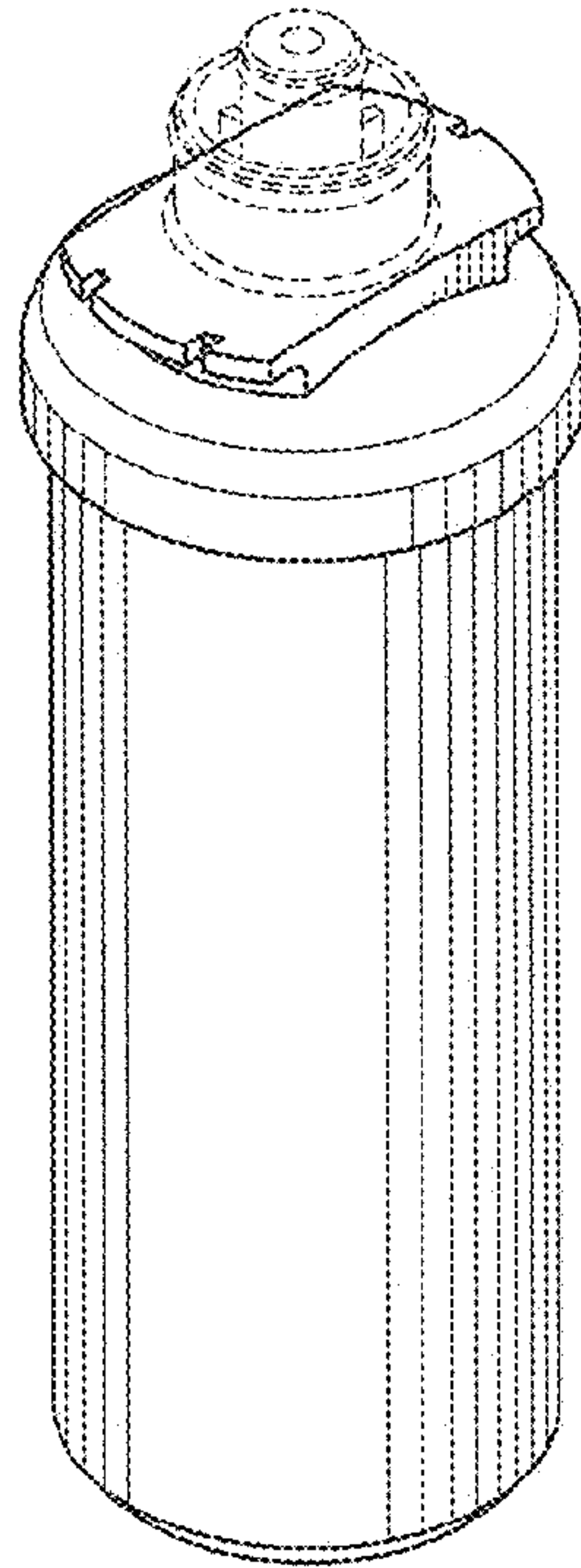


Fig. 1

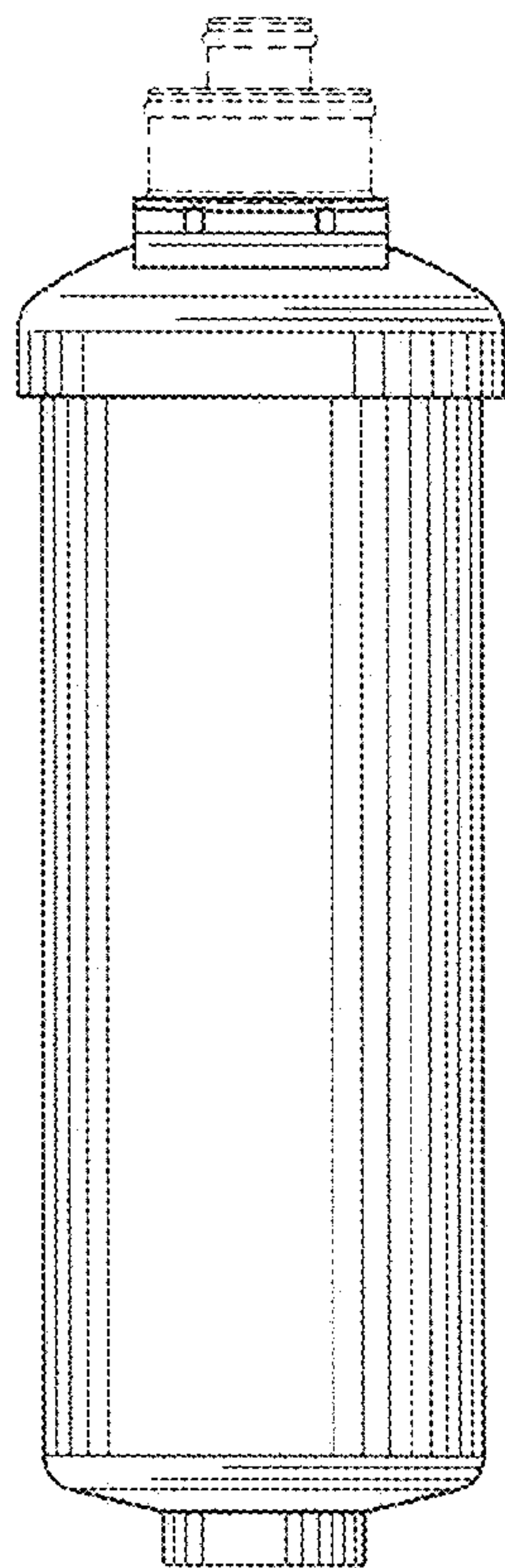


Fig. 2

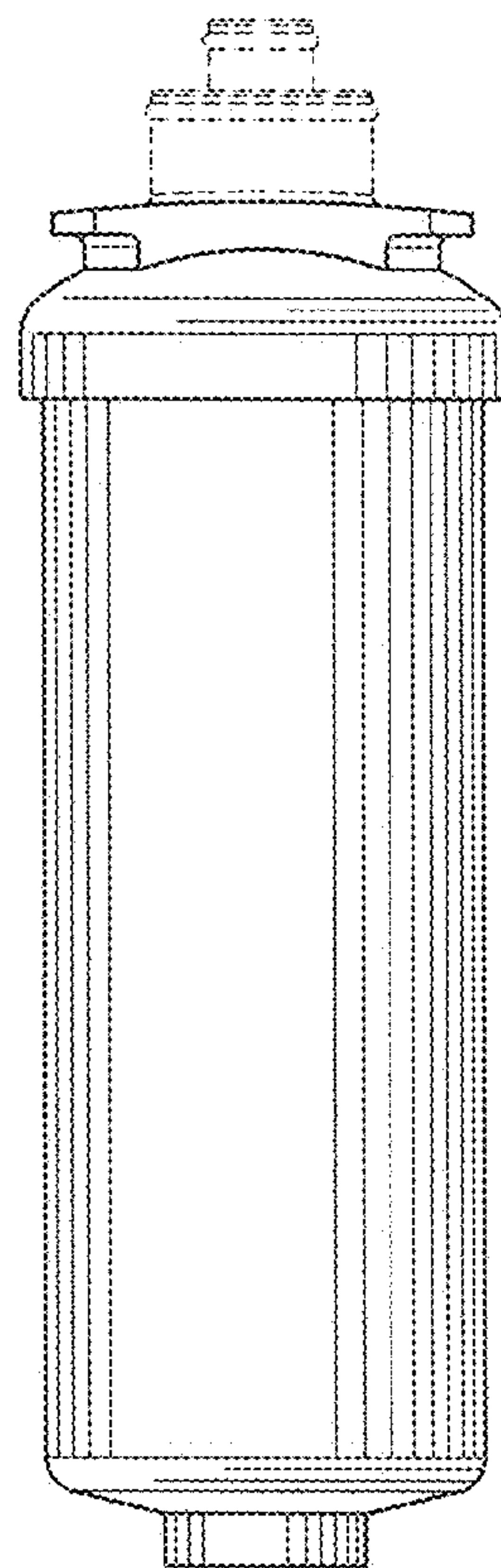


Fig. 3

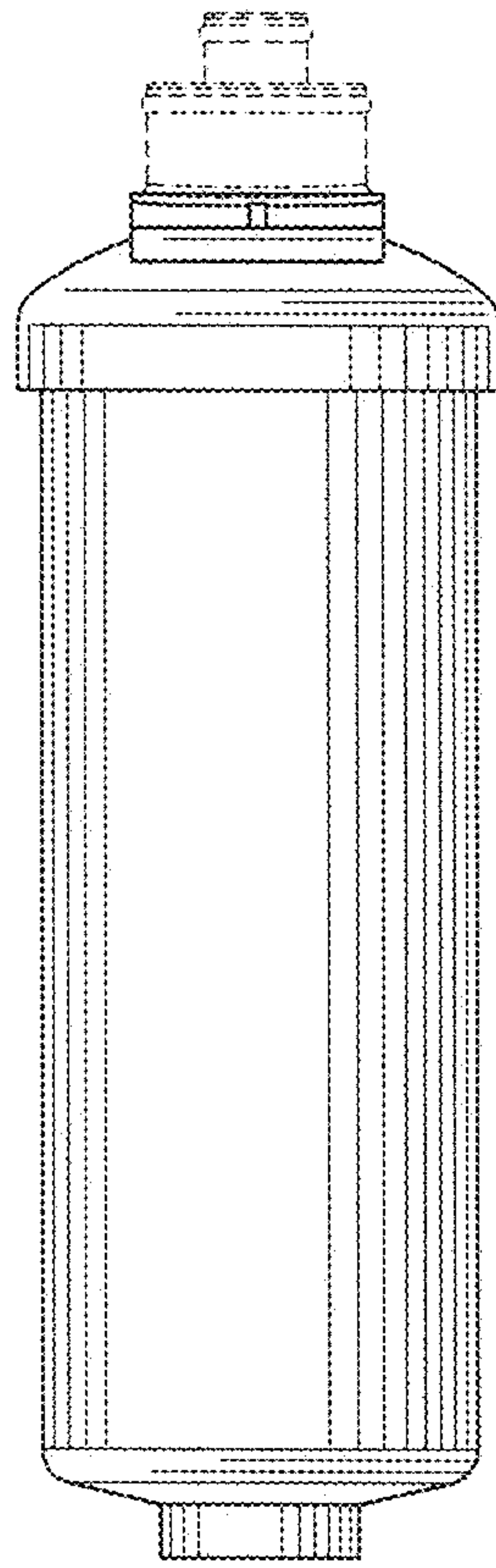


Fig. 4

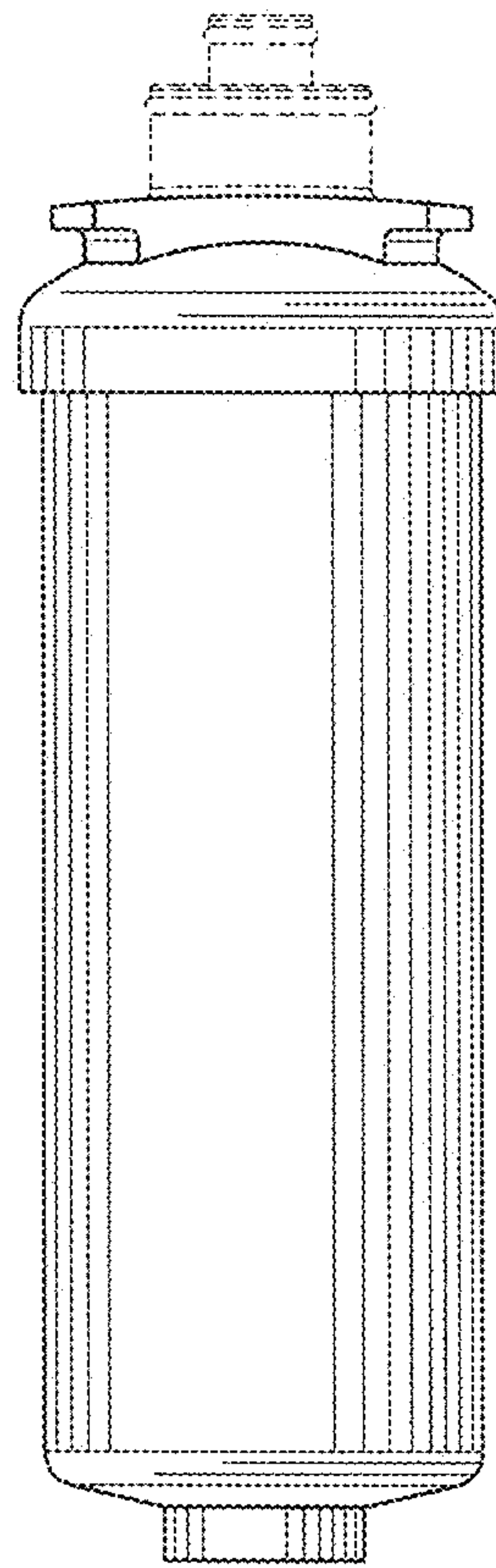


Fig. 5

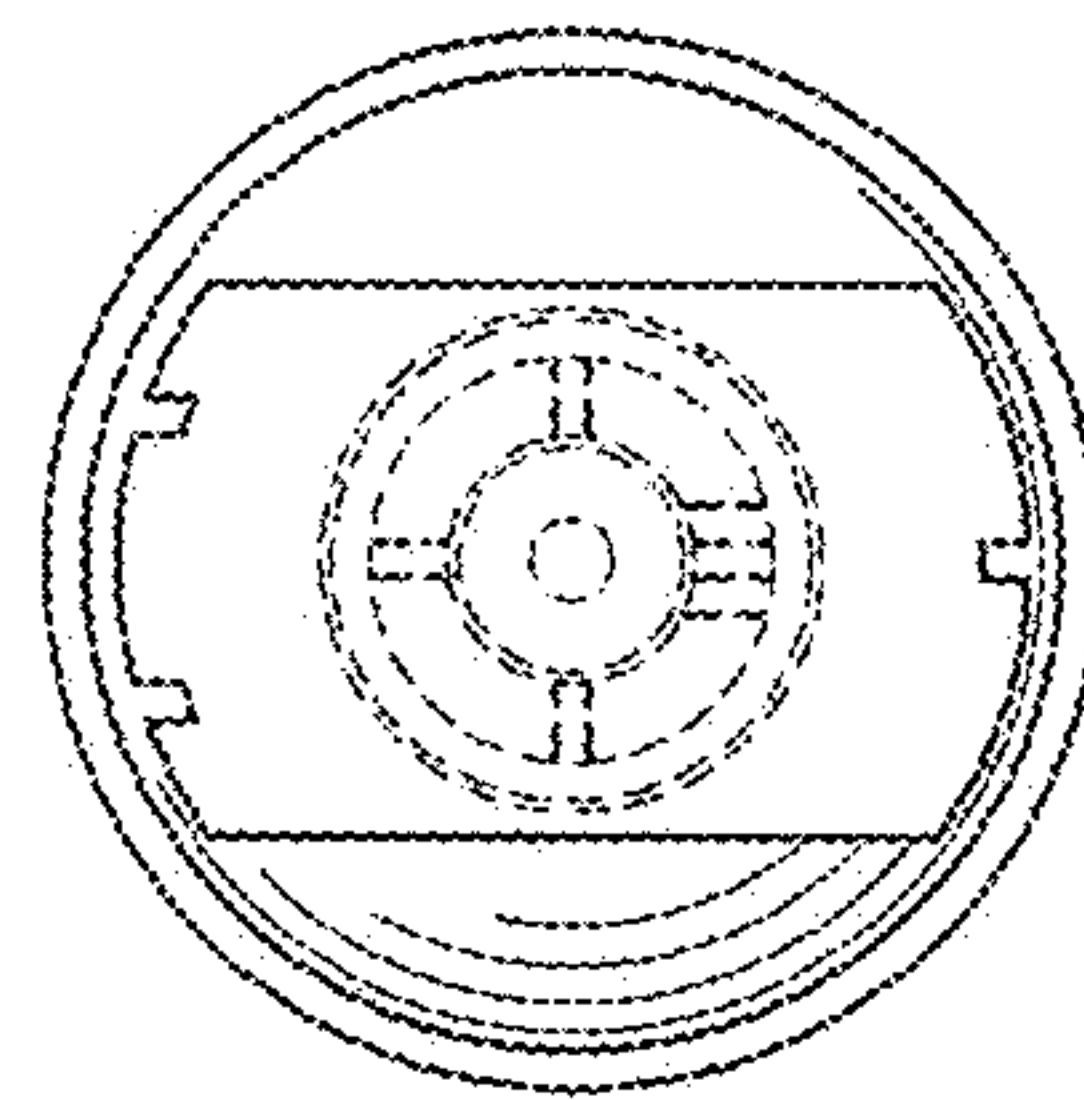


Fig. 6

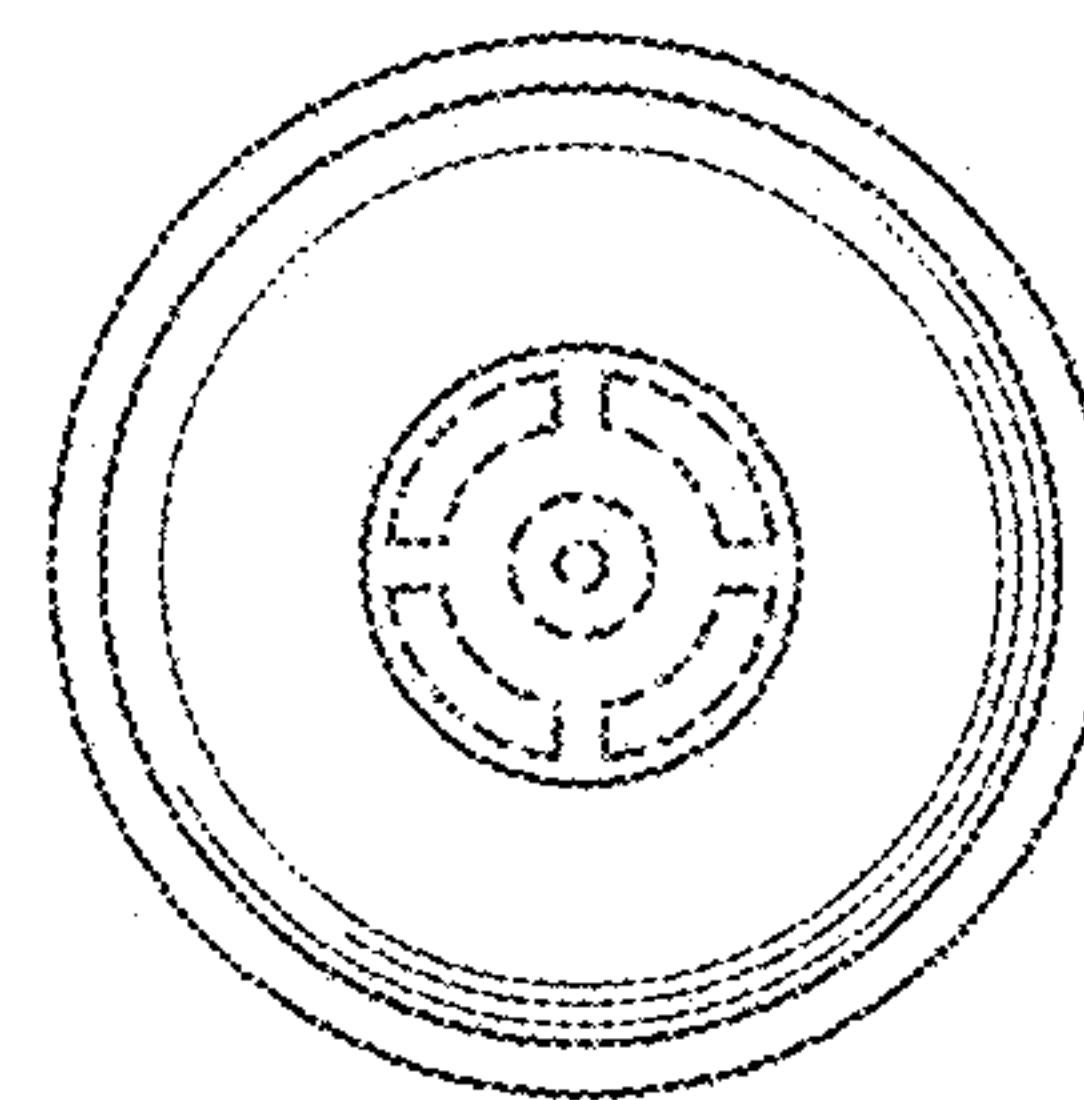


Fig. 7

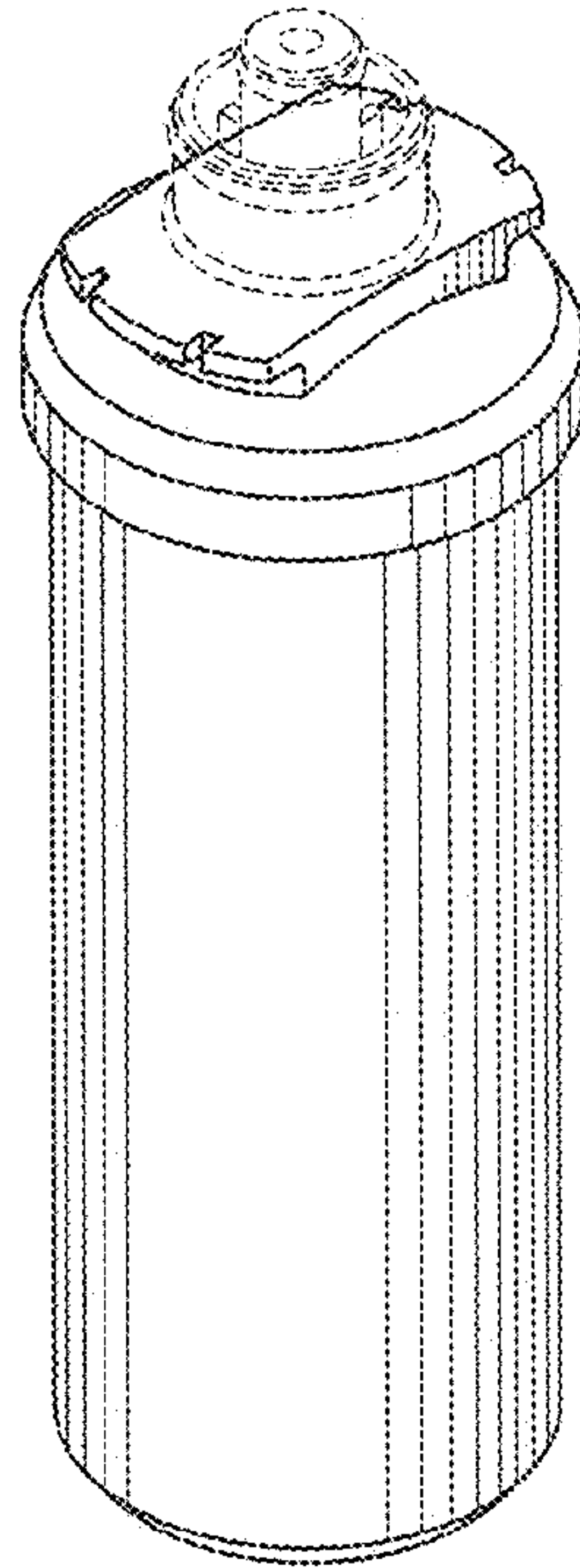


Fig. 8

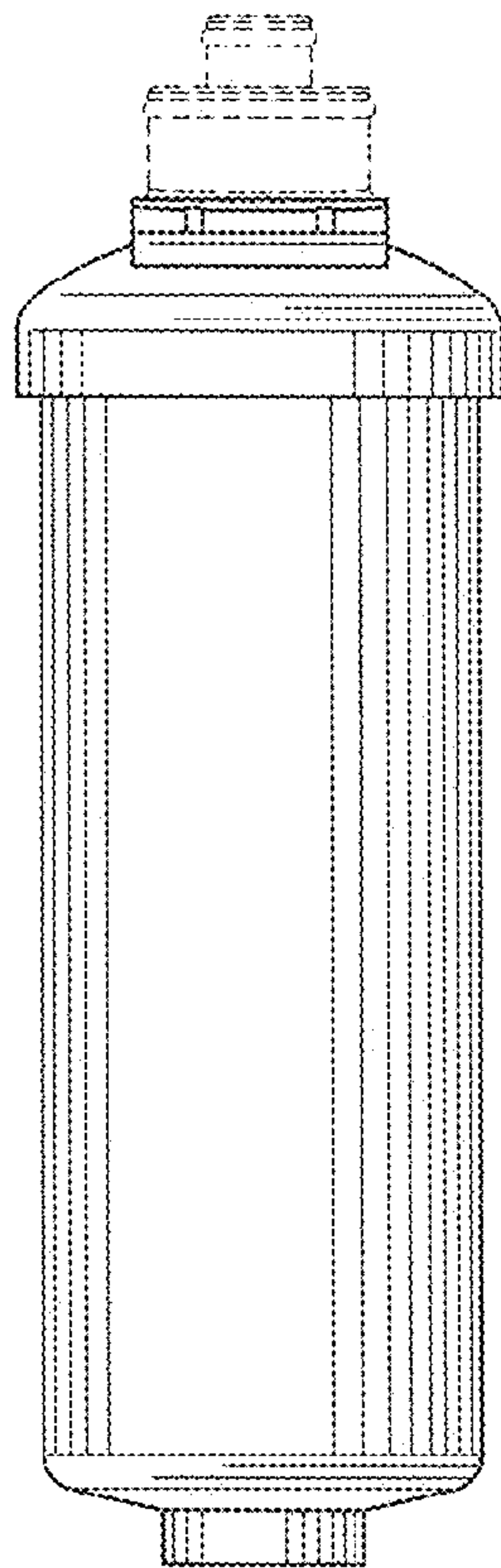


Fig. 9

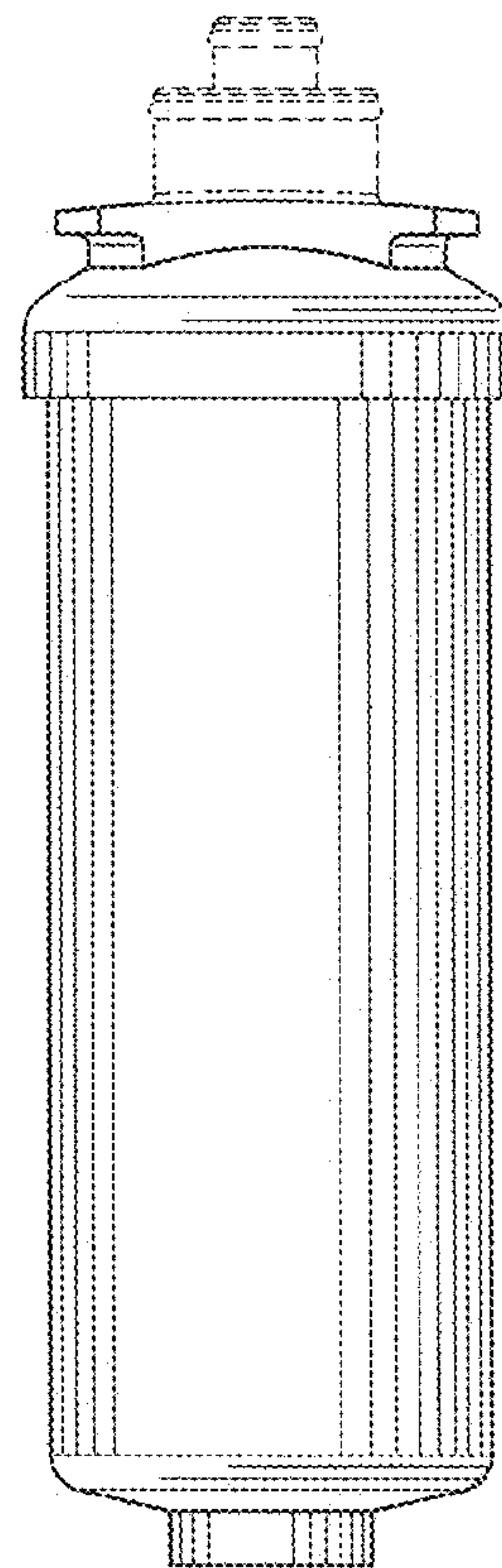


Fig. 10

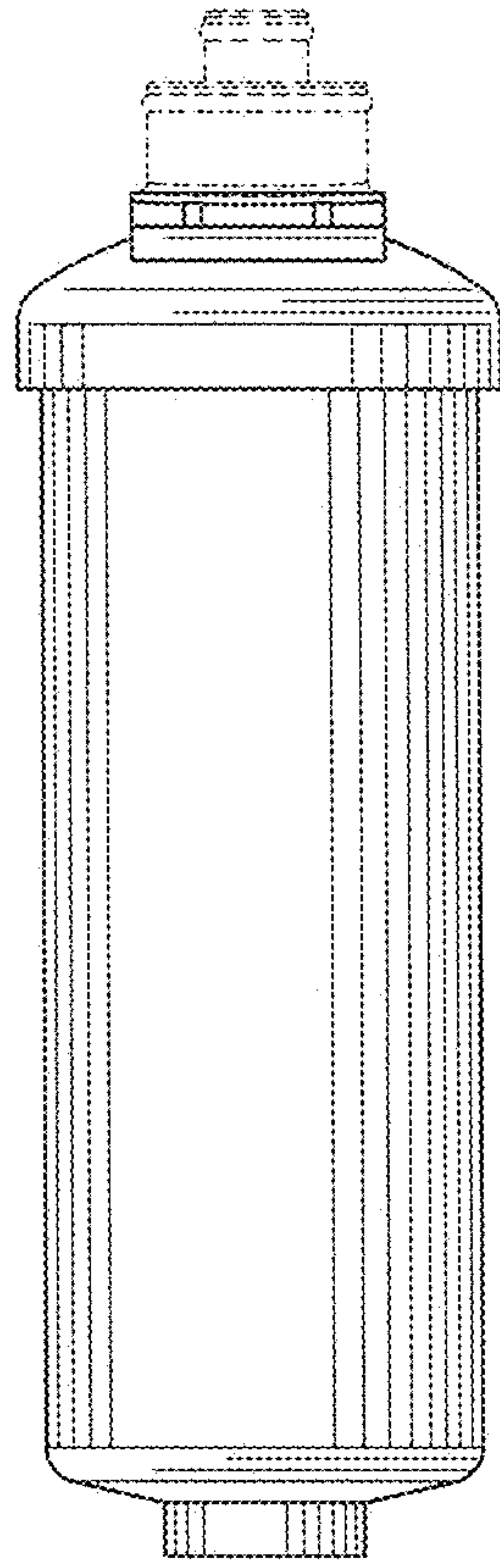


Fig. 11

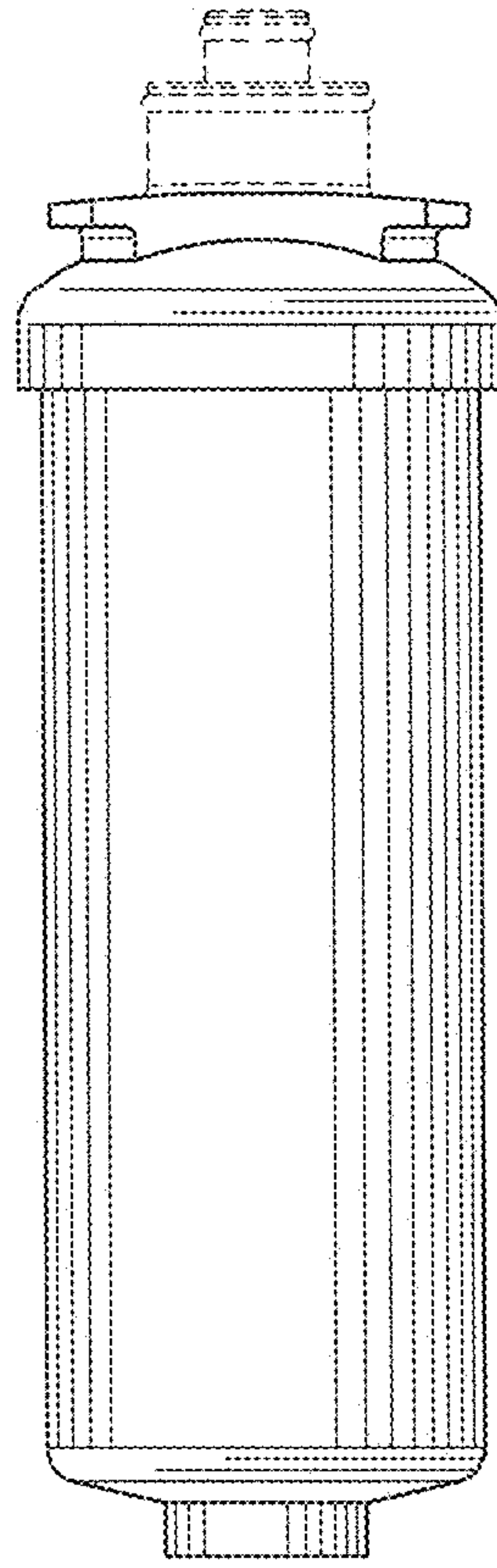


Fig. 12

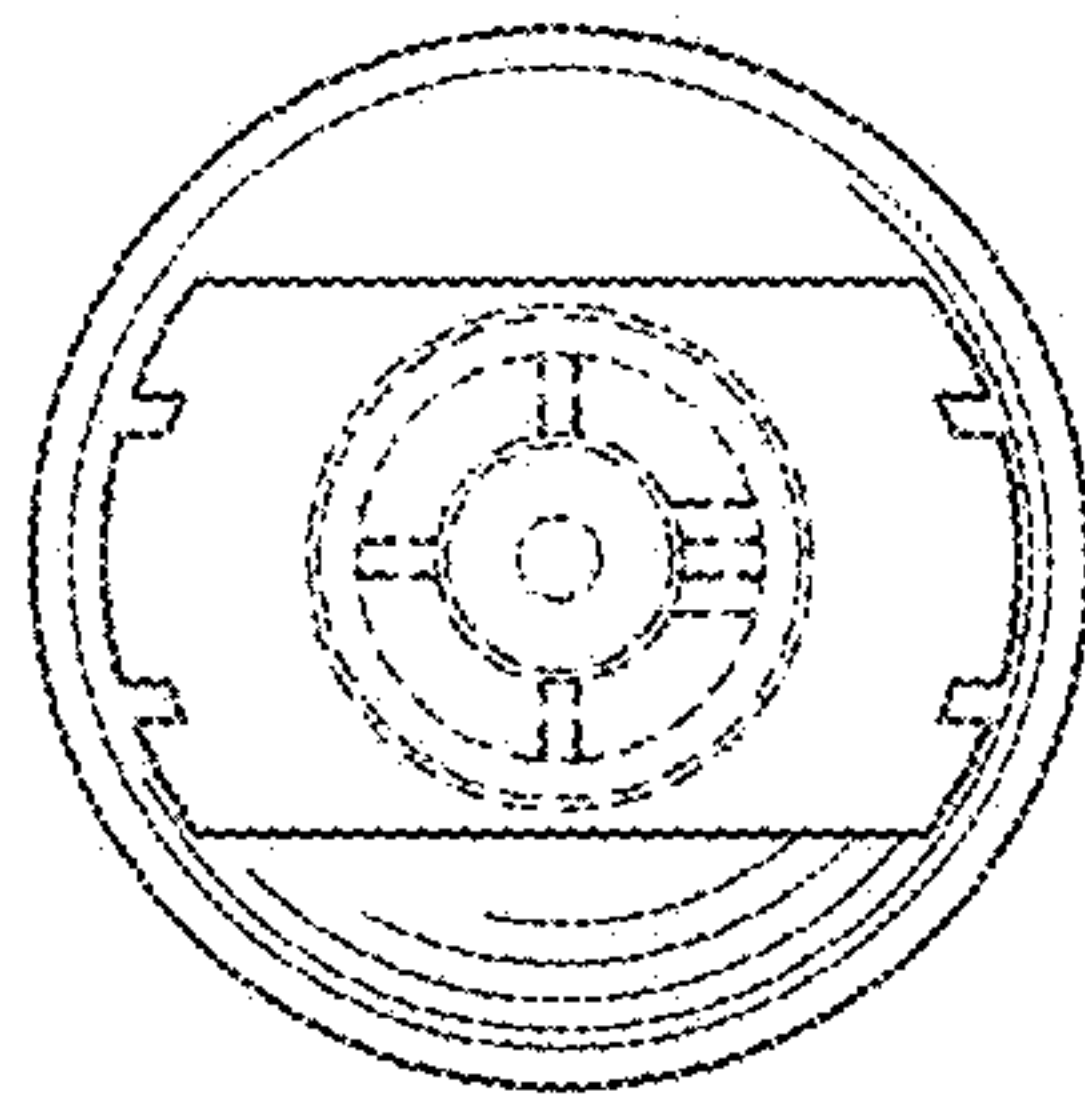


Fig. 13

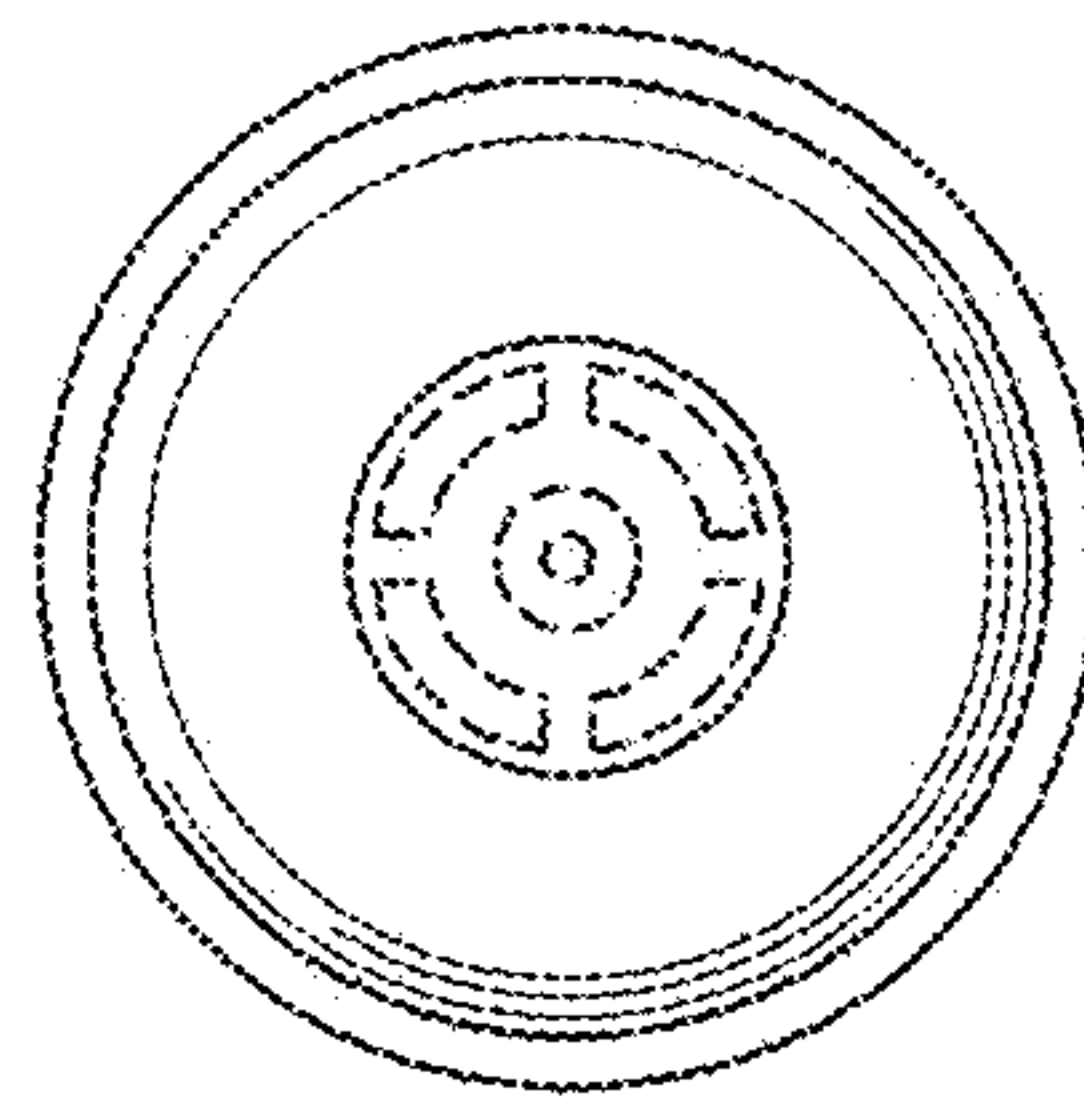


Fig. 14

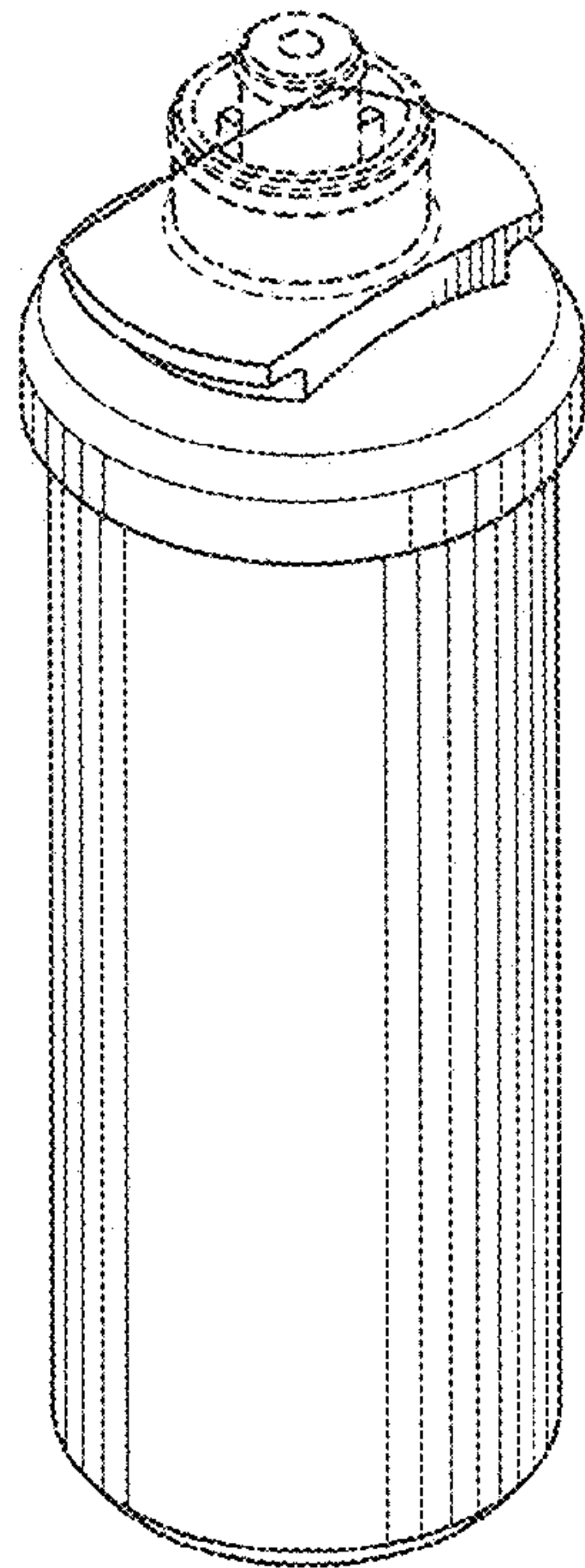


Fig. 15

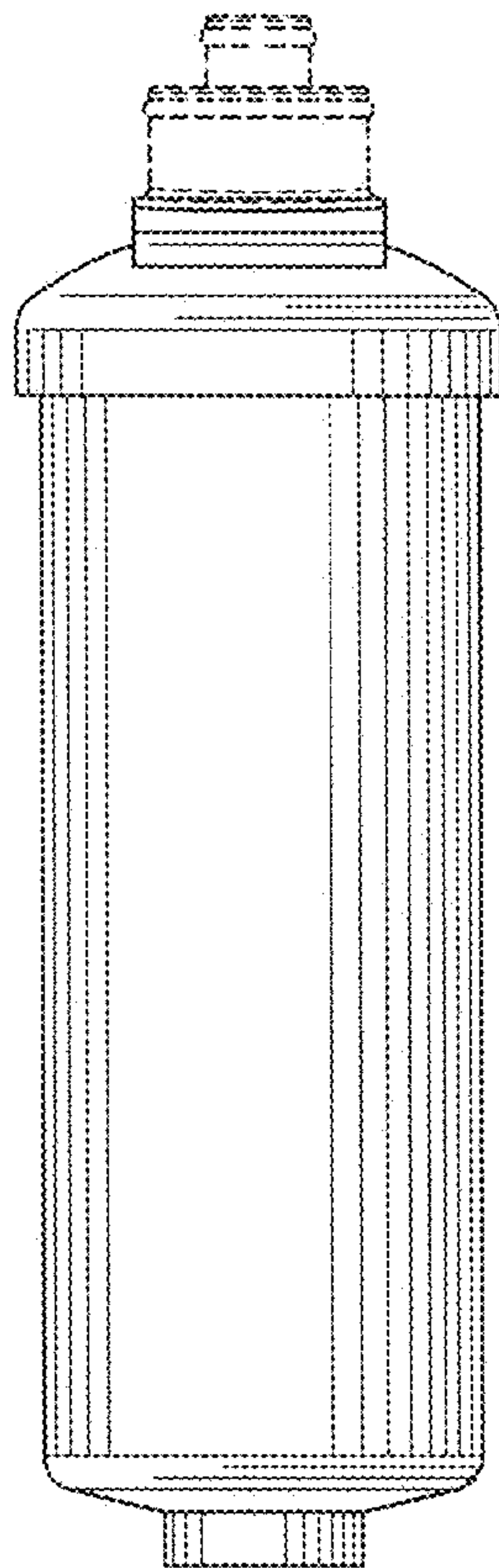


Fig. 16

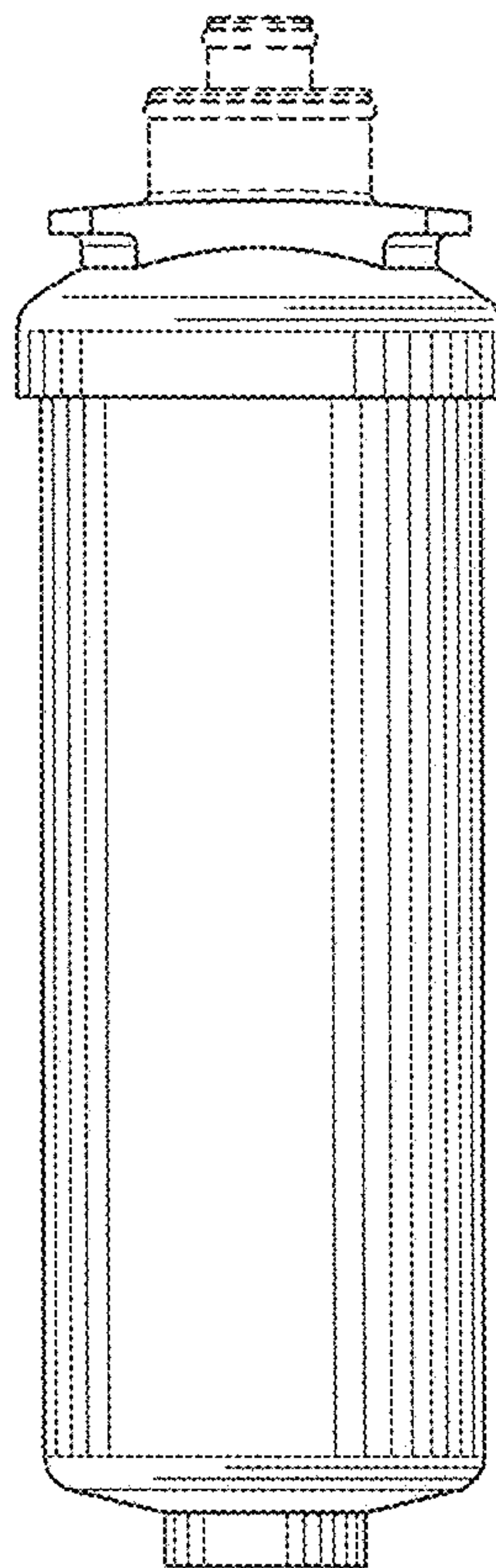


Fig. 17

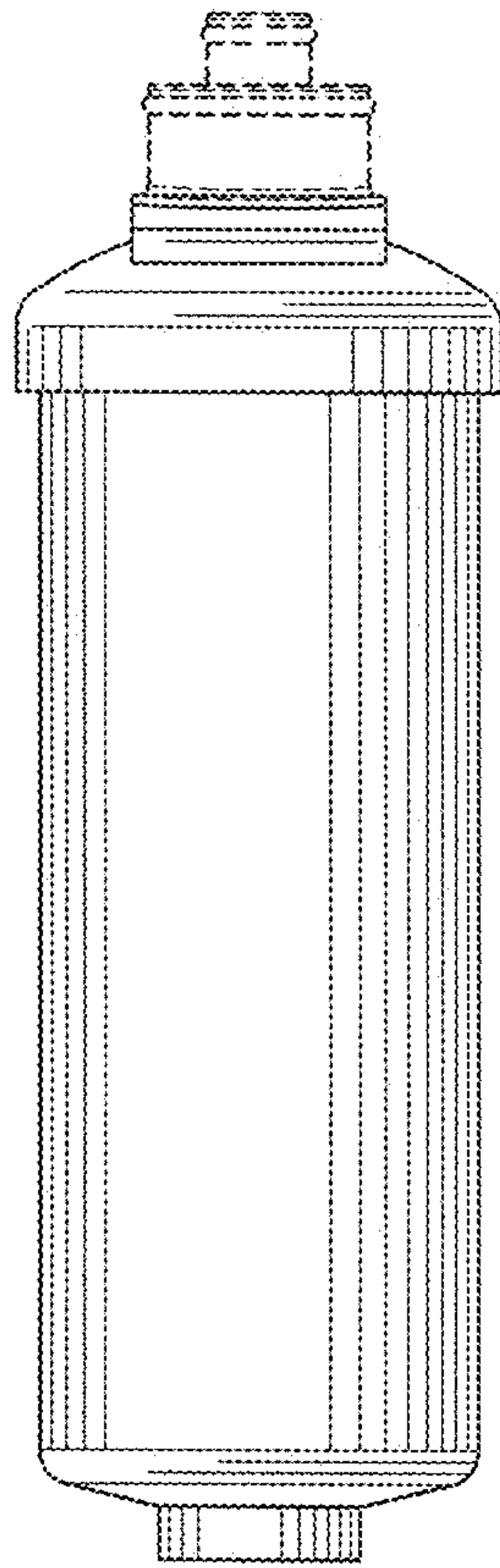


Fig. 18

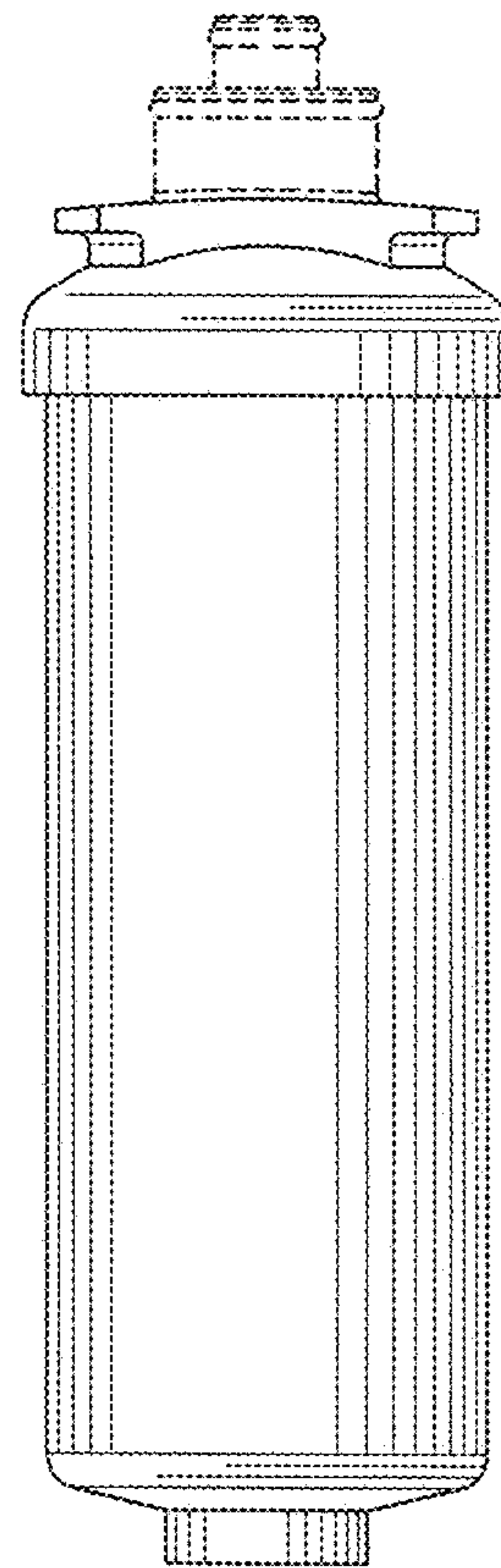


Fig. 19

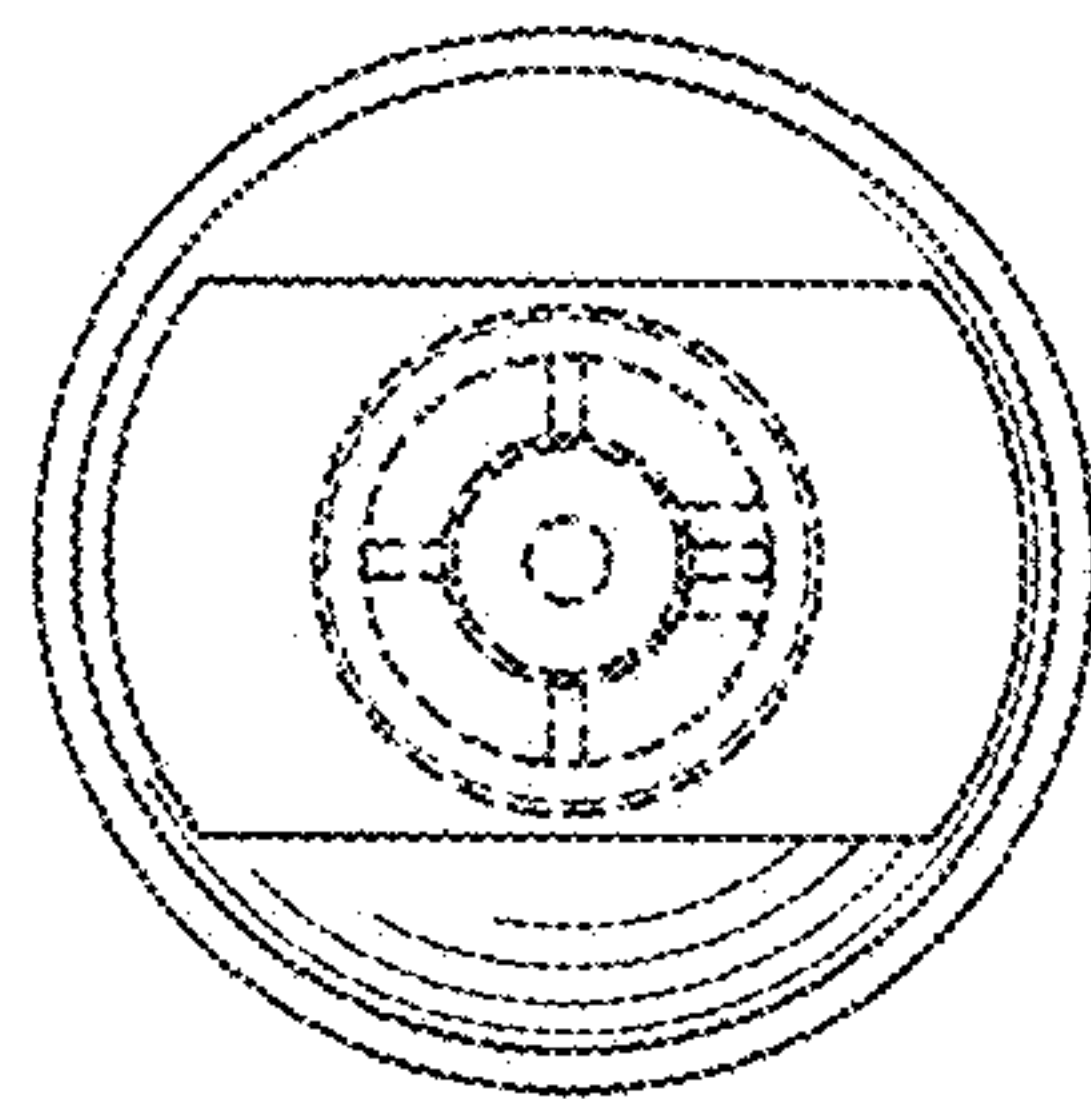


Fig. 20

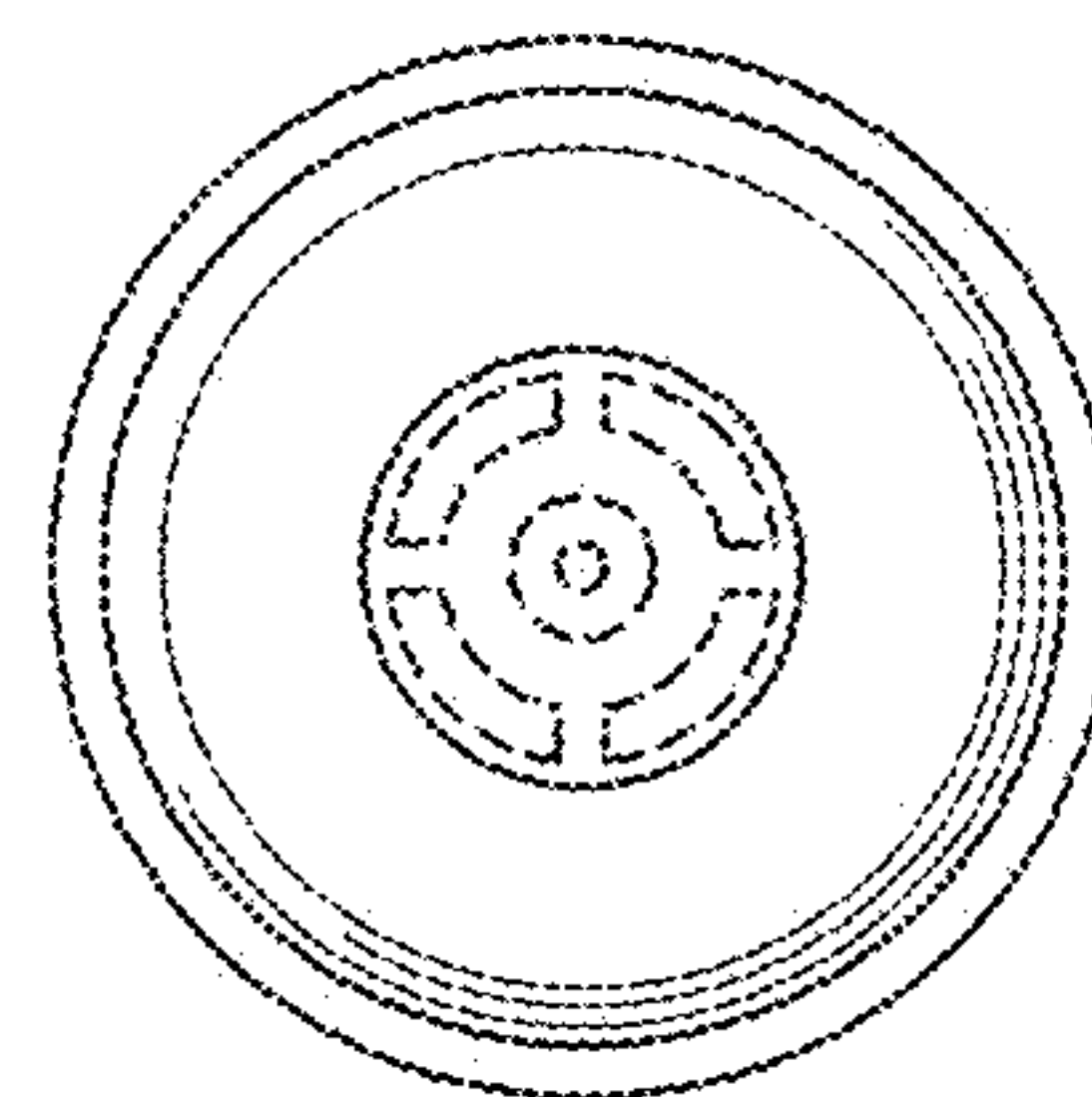


Fig. 21