



US00D712006S

(12) **United States Design Patent**
Koelewyn

(10) **Patent No.:** **US D712,006 S**

(45) **Date of Patent:** **** Aug. 26, 2014**

(54) **FLY FISHING REEL**

D638,092 S * 5/2011 Heller et al. D22/140
D676,523 S * 2/2013 Halseth et al. D22/140
8,480,022 B2 * 7/2013 Kang et al. 242/318

(71) Applicant: **3-TAND, LLC**, Prospect, CT (US)

* cited by examiner

(72) Inventor: **Robert W. Koelewyn**, Yangzhou (CN)

Primary Examiner — Catheri Oliver-Garcia

(73) Assignee: **3-TAND, LLC**, Prospect, CT (US)

(74) *Attorney, Agent, or Firm* — Fincham Downs LLC;
Carson C.K. Fincham

(**) Term: **14 Years**

(21) Appl. No.: **29/473,114**

(57) **CLAIM**

(22) Filed: **Nov. 19, 2013**

The ornamental design for a fly fishing reel, a shown and described.

(51) **LOC (10) Cl.** **22-05**

(52) **U.S. Cl.**
USPC **D22/140**

DESCRIPTION

(58) **Field of Classification Search**
CPC A01K 89/00; A01K 91/02; A01K 89/016;
A01K 89/01; A01K 89/033; A01K 99/00
USPC D22/137-141; 206/315.11; 242/118.3,
242/118.4, 118.7, 234-240, 303, 311,
242/317-323, 313

FIG. 1 is a top-left frontal perspective view of the fly fishing reel according to the new design;
FIG. 2 is a top-right frontal perspective view thereof;
FIG. 3 is a bottom-left frontal perspective view thereof;
FIG. 4 is a bottom-right frontal perspective view thereof;
FIG. 5 is a left side view thereof;
FIG. 6 is a bottom view thereof;
FIG. 7 is a top view thereof;
FIG. 8 is a right side view thereof;
FIG. 9 is a front view thereof; and,
FIG. 10 is a rear view thereof.

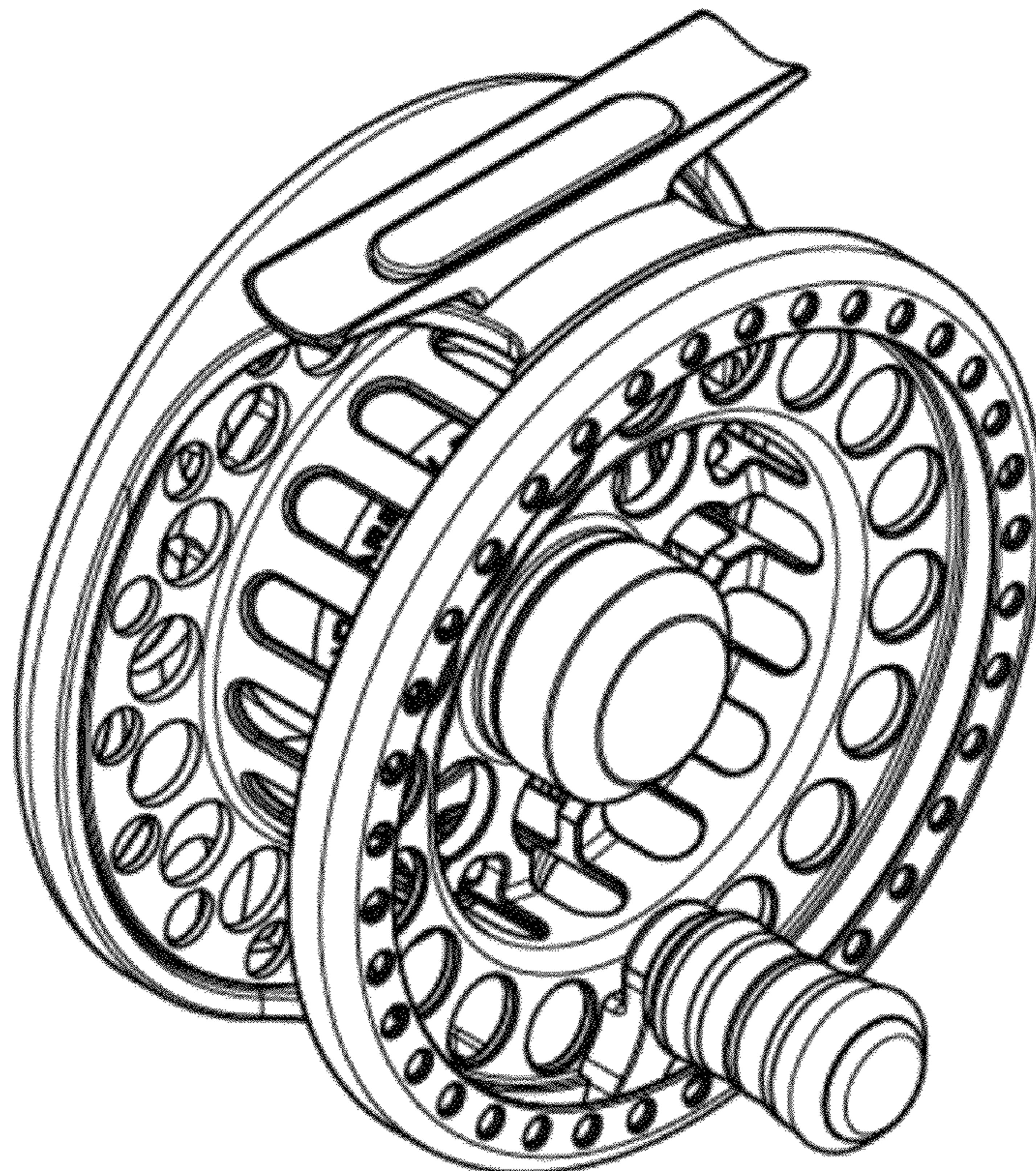
See application file for complete search history.

(56) **References Cited**

U.S. PATENT DOCUMENTS

D529,123 S * 9/2006 Nago D22/140
7,832,673 B2 * 11/2010 Lee et al. 242/317

1 Claim, 5 Drawing Sheets



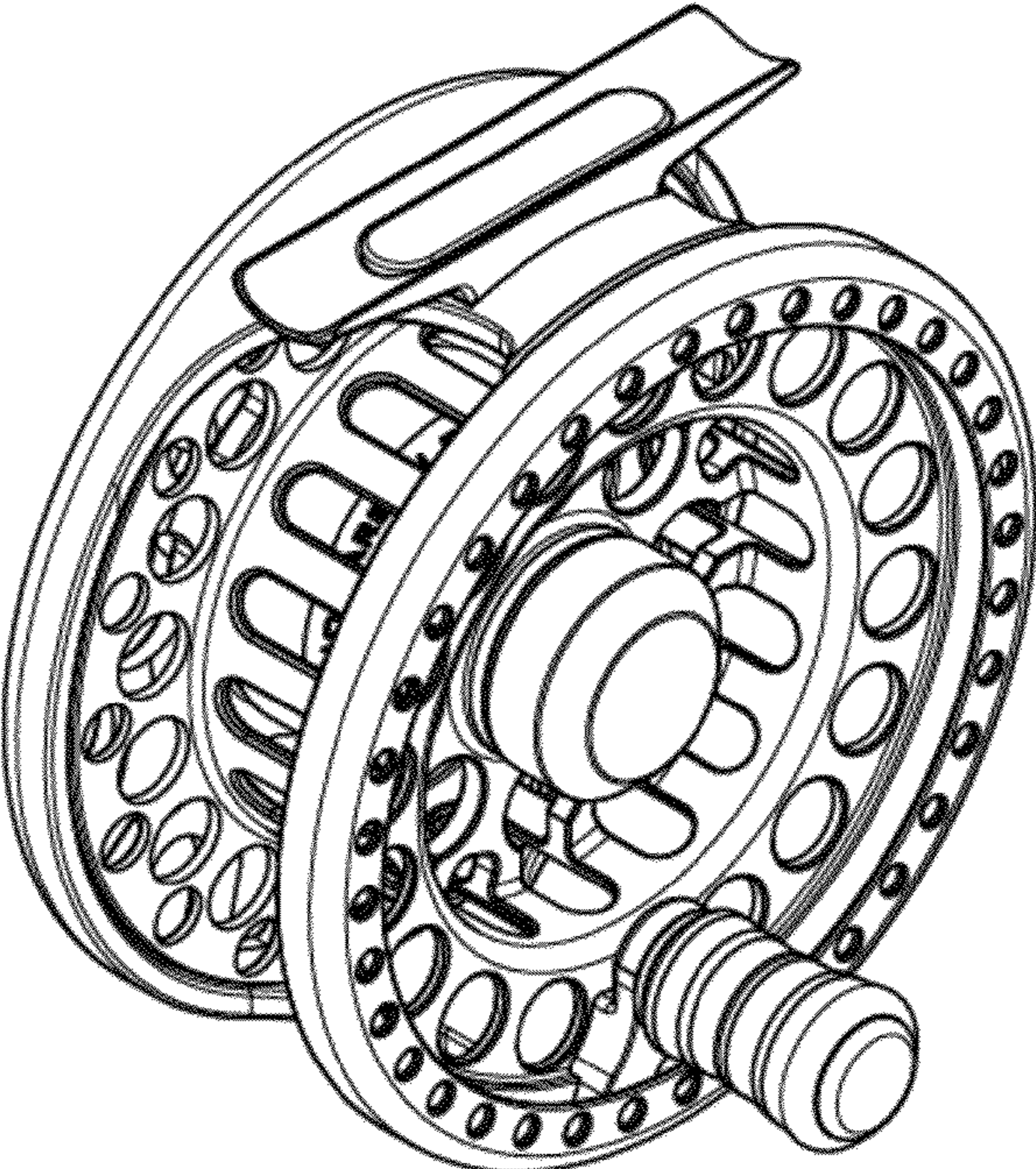


FIG. 1



FIG. 2



FIG. 3

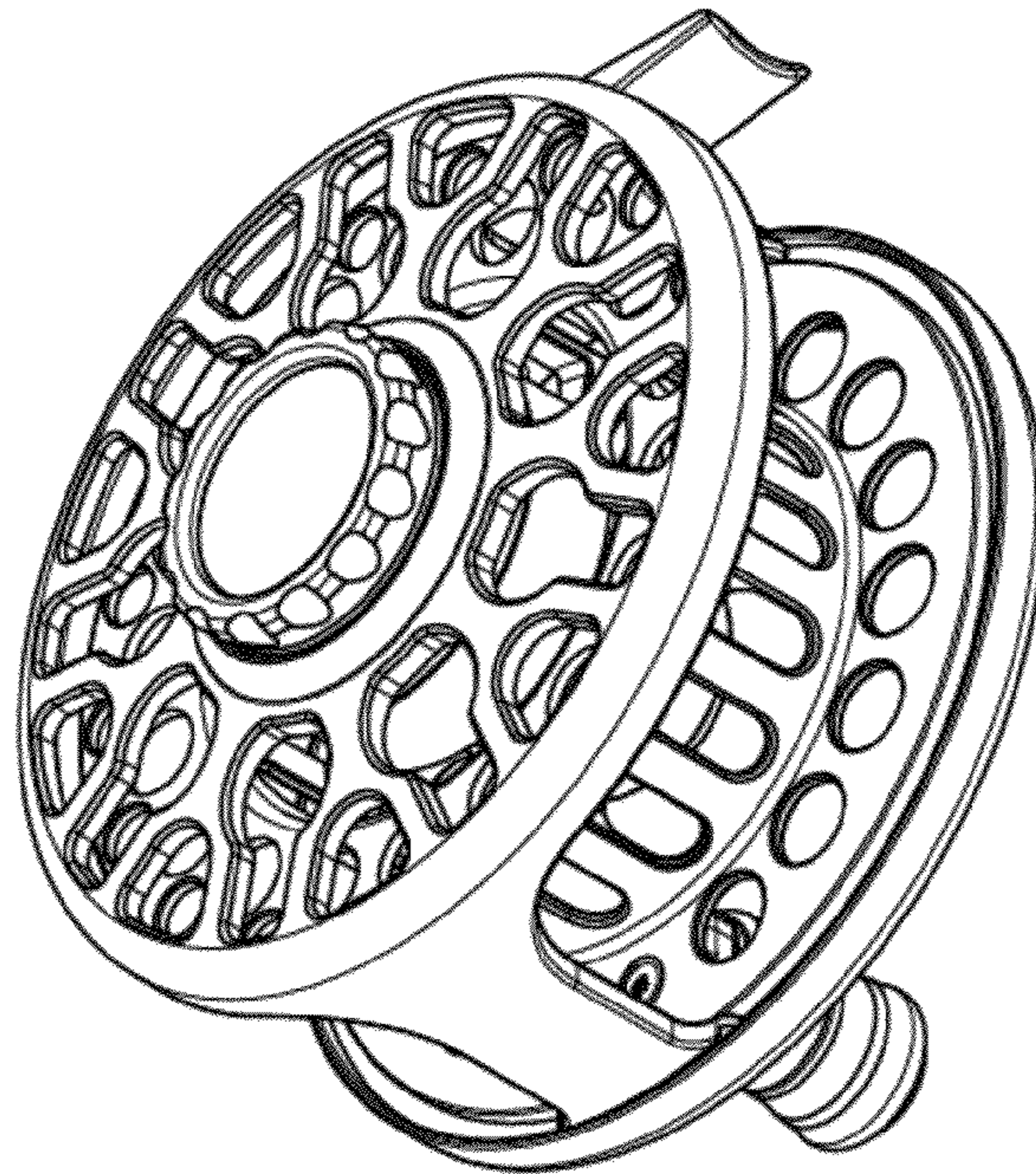


FIG. 4

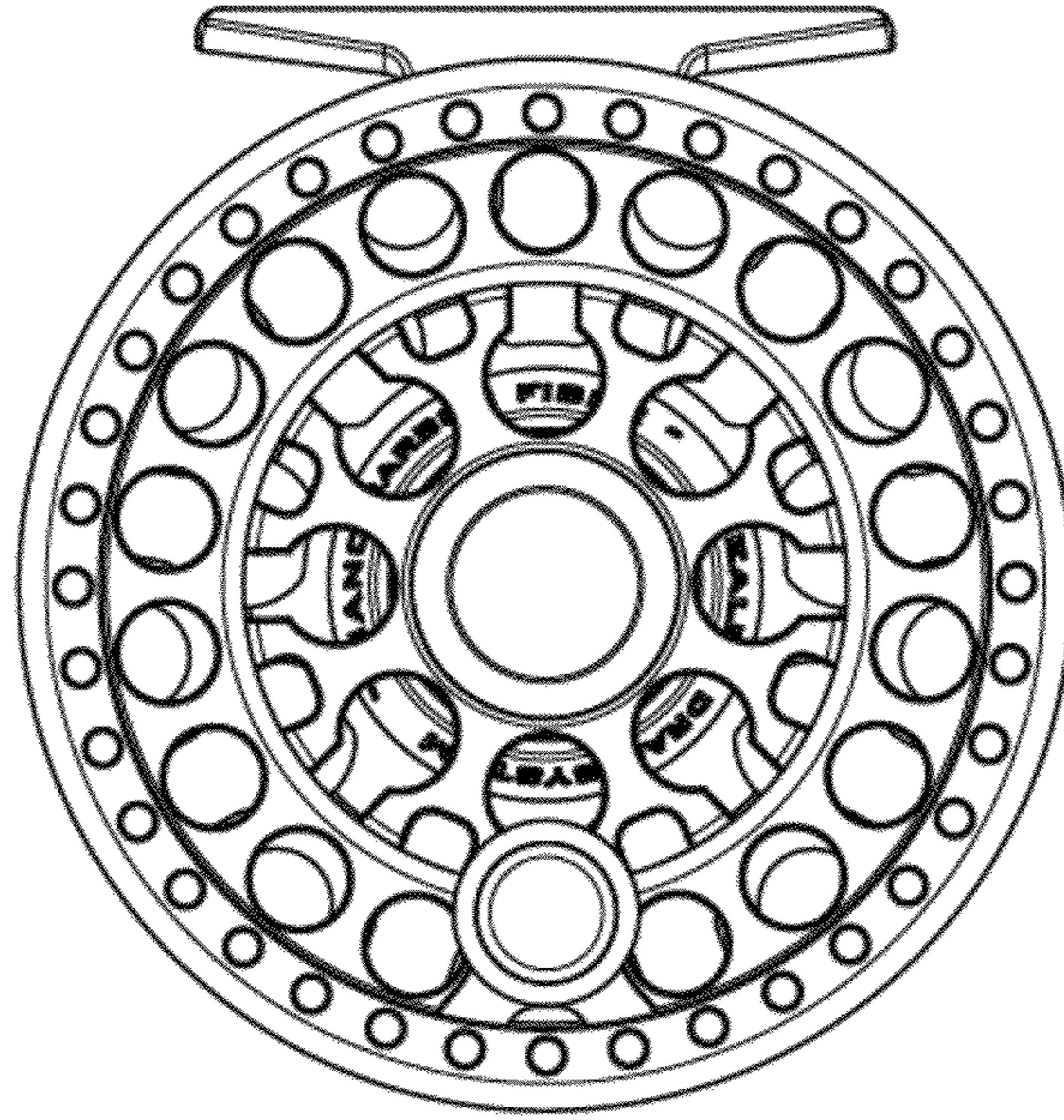


FIG. 5

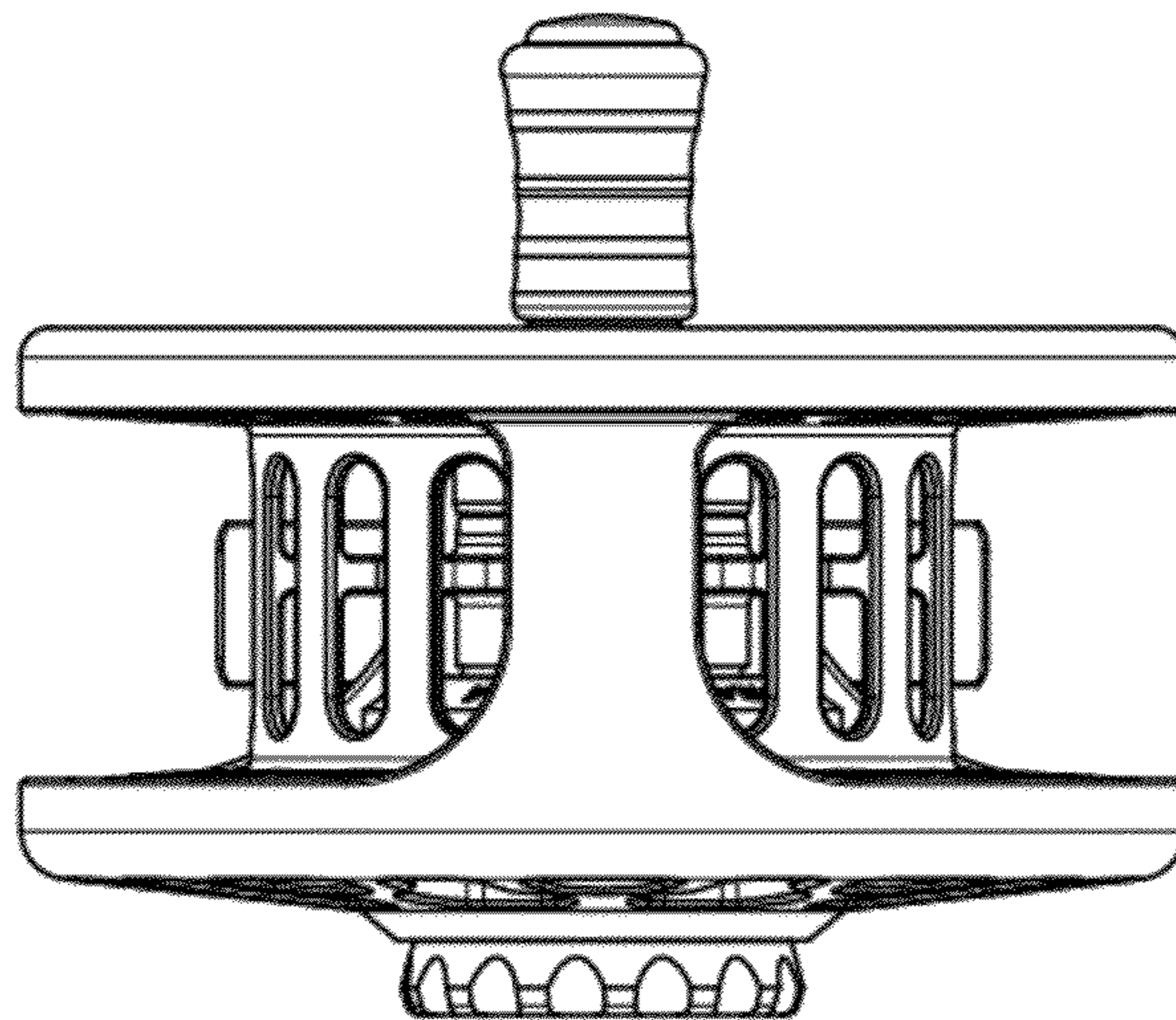


FIG. 6

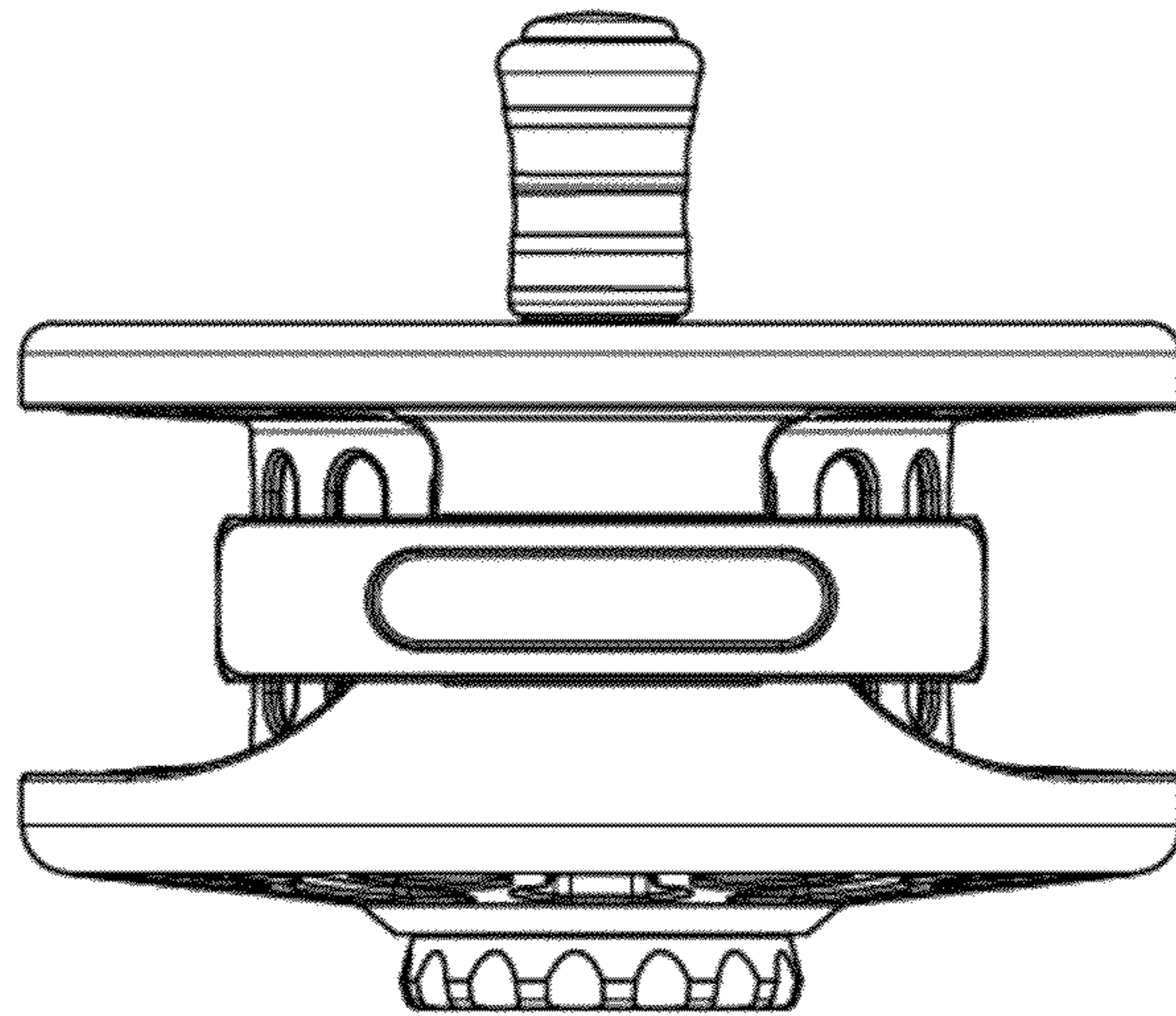


FIG. 7

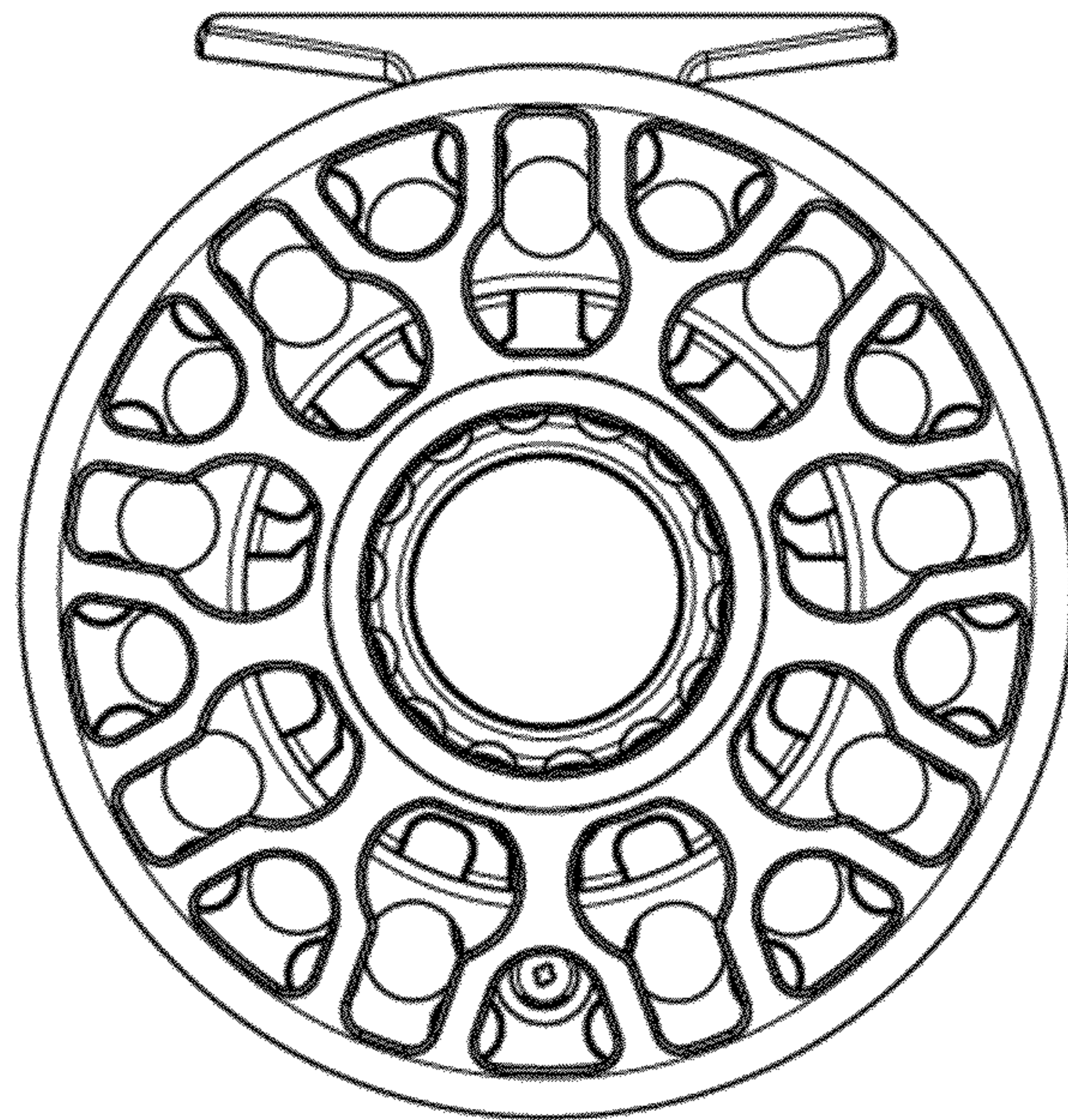


FIG. 8

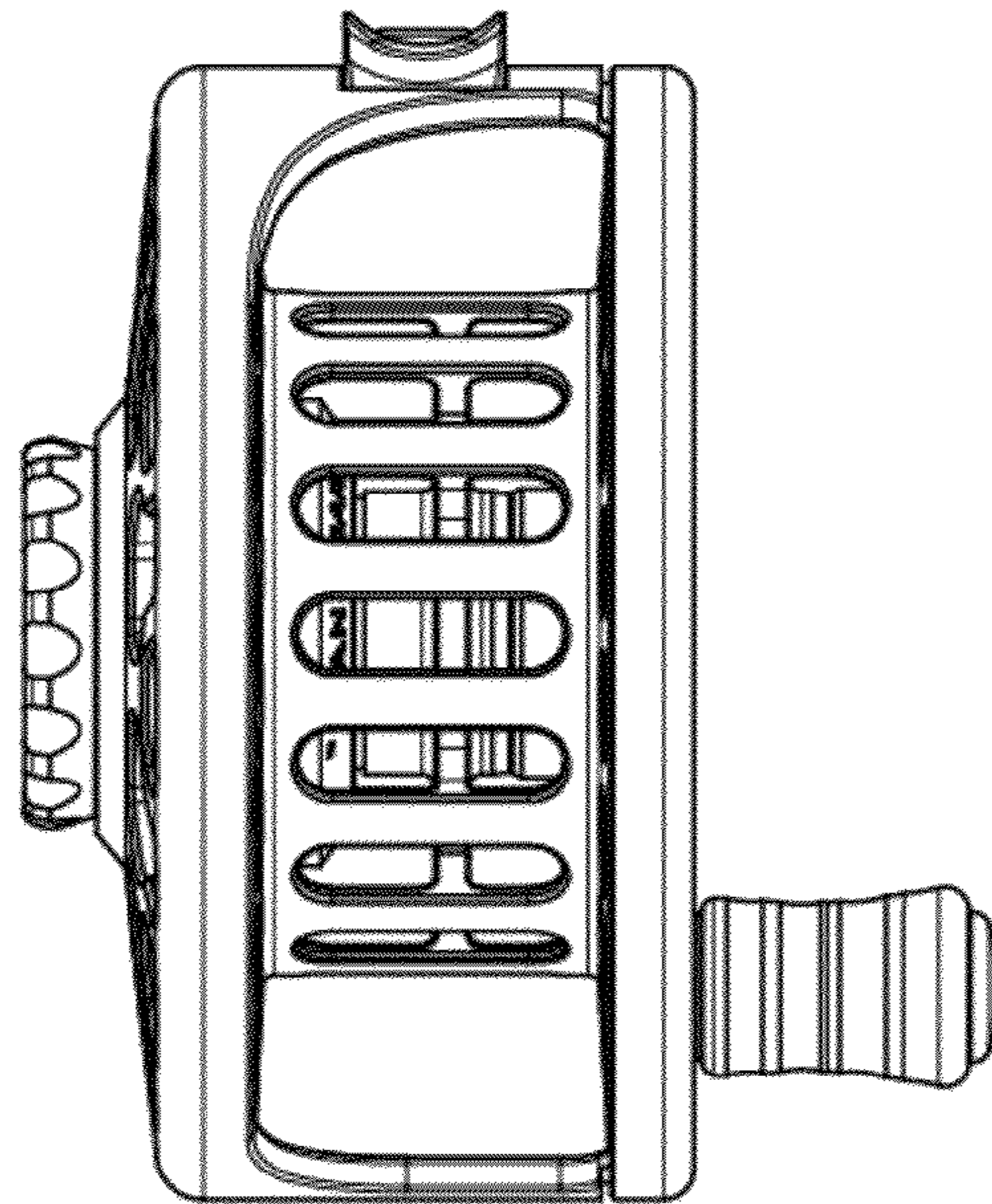


FIG. 9

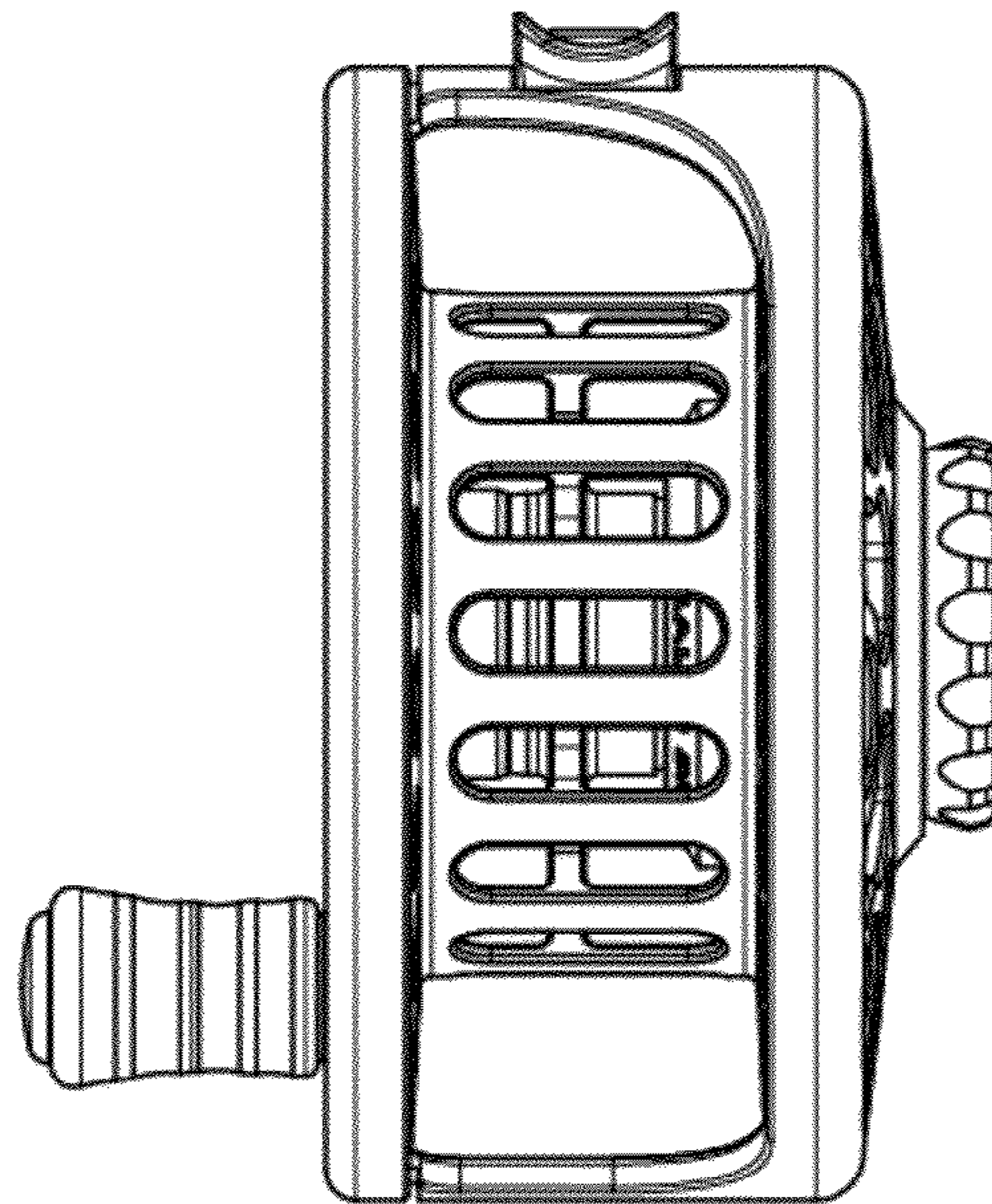


FIG. 10