



US00D712004S

(12) **United States Design Patent**
Palmer

(10) **Patent No.:** **US D712,004 S**

(45) **Date of Patent:** **** Aug. 26, 2014**

(54) **FLY SWATTER**

(56) **References Cited**

(71) Applicant: **Andrew Palmer**, Indian Wells, CA (US)

U.S. PATENT DOCUMENTS

D232,547 S * 8/1974 Walti D22/124
5,522,174 A * 6/1996 Wagner et al. 43/137

(72) Inventor: **Andrew Palmer**, Indian Wells, CA (US)

* cited by examiner

(**) Term: **14 Years**

Primary Examiner — Catheri Oliver-Garcia

(74) *Attorney, Agent, or Firm* — QuickPatents; Kevin Prince

(21) Appl. No.: **29/470,424**

(57) **CLAIM**

I claim the ornamental design for a fly swatter, as shown and described.

(22) Filed: **Oct. 21, 2013**

DESCRIPTION

(51) **LOC (10) Cl.** **22-06**

FIG. 1 is a perspective view of a fly swatter, showing my new design;

(52) **U.S. Cl.**
USPC **D22/124**

FIG. 2 is a front elevational view thereof;

FIG. 3 is a rear elevational view thereof;

FIG. 4 is a right-side elevational view thereof;

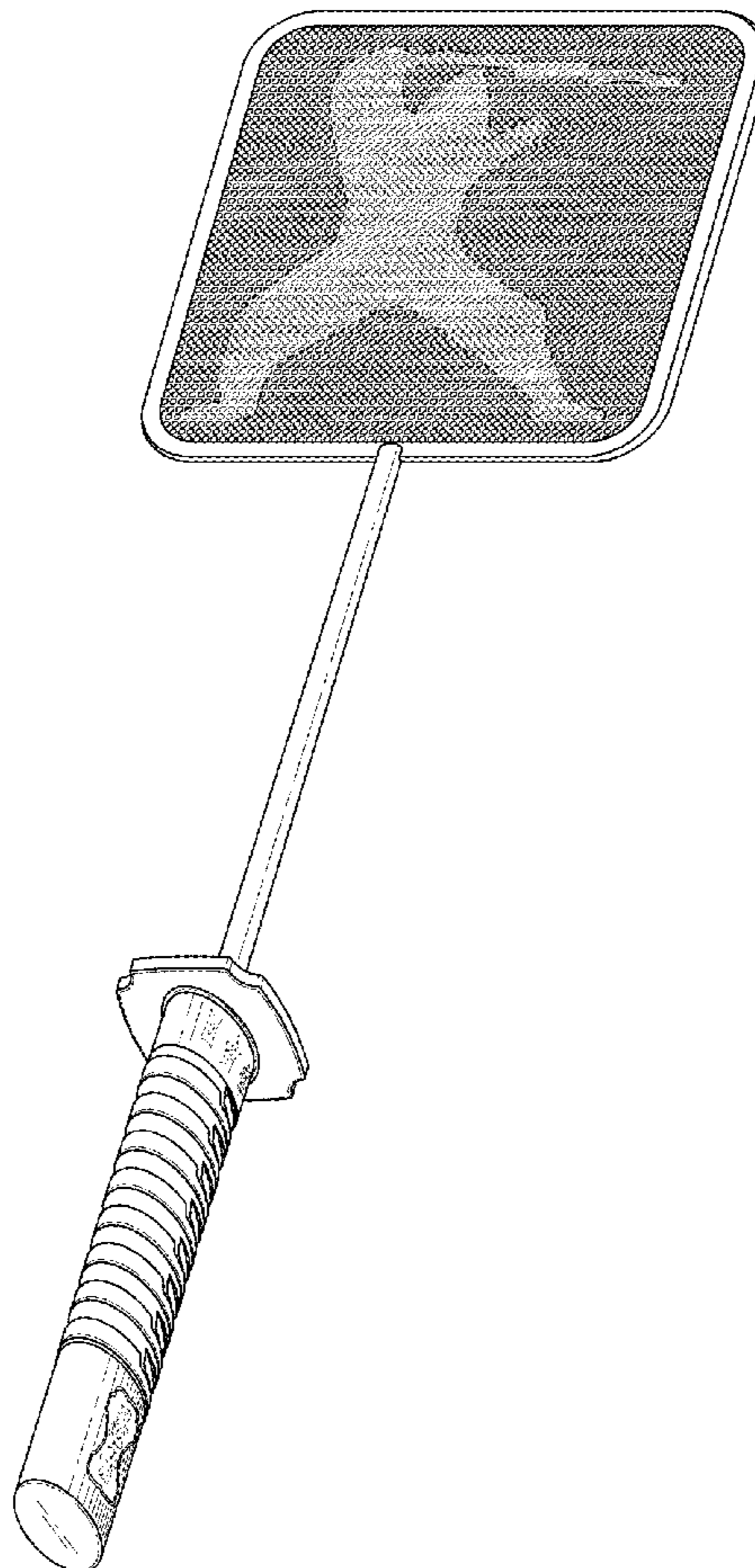
FIG. 5 is a left-side elevational view thereof;

FIG. 6 is a top plan view thereof; and,

FIG. 7 is a bottom plan view thereof.

(58) **Field of Classification Search**
CPC A01M 3/00; A01M 3/02
USPC D22/119–124; 43/112, 136–137
See application file for complete search history.

1 Claim, 3 Drawing Sheets



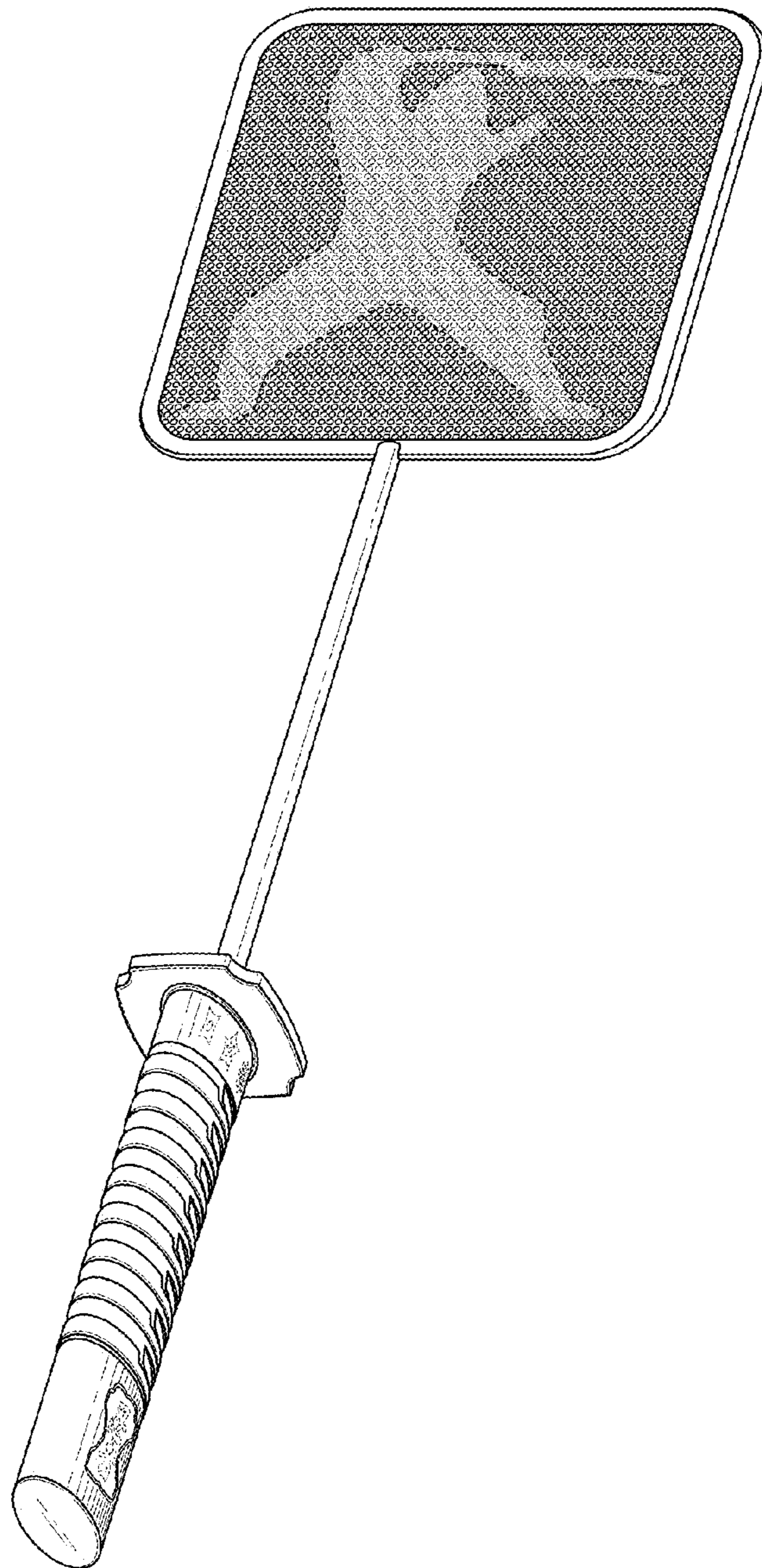


FIG. 1

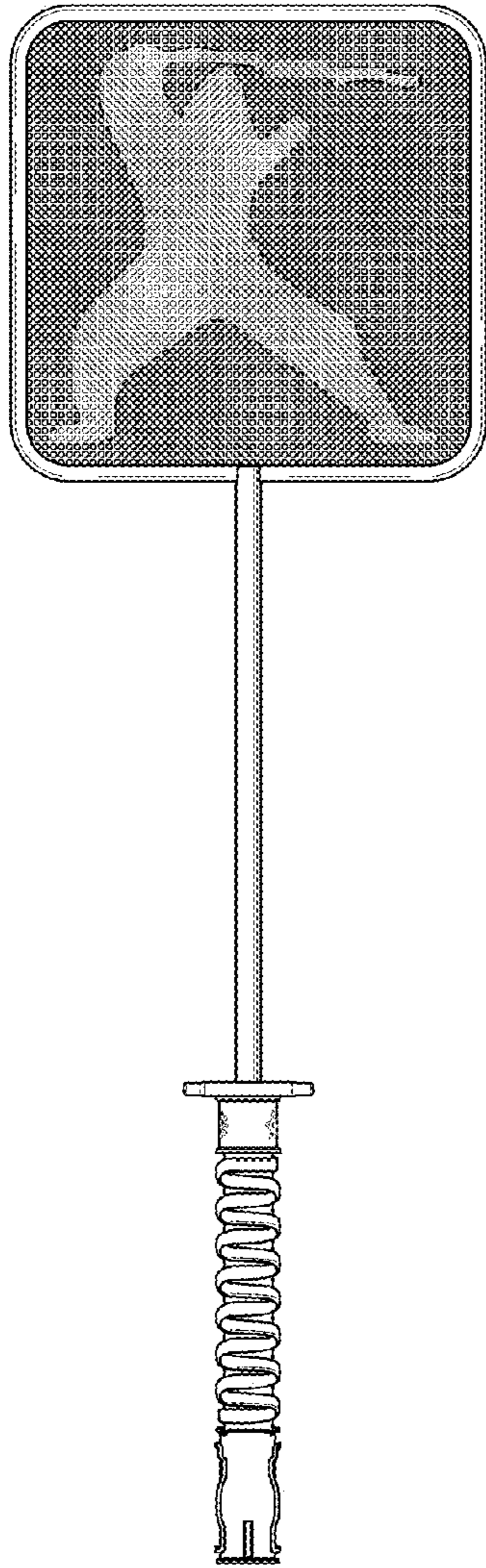


FIG. 2

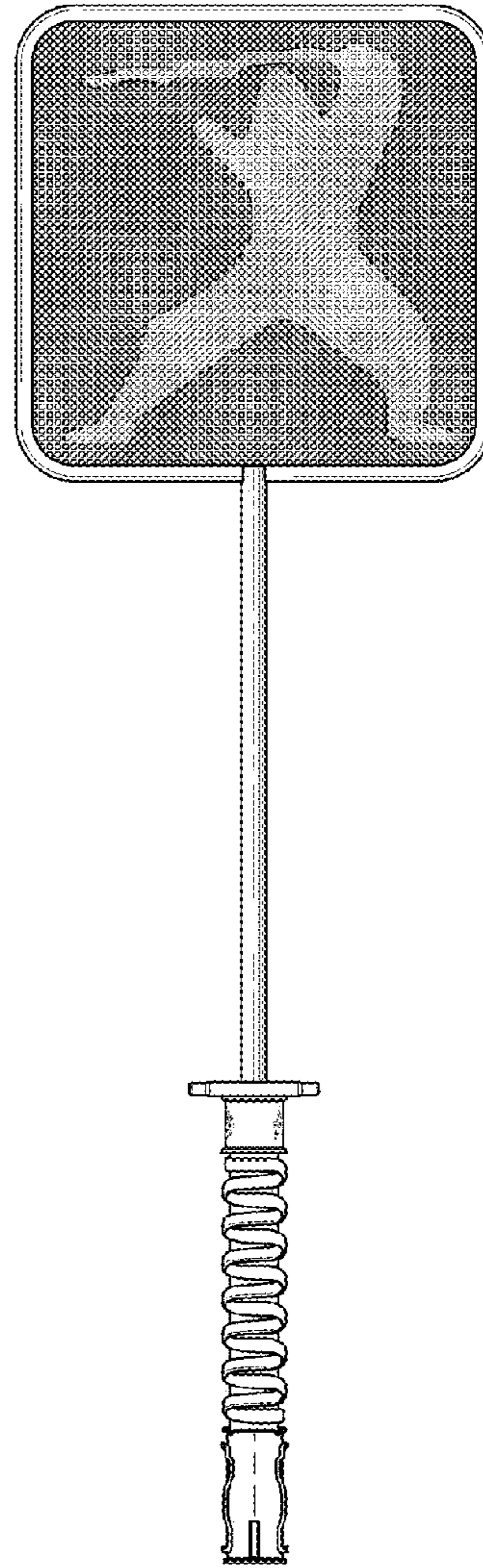


FIG. 3

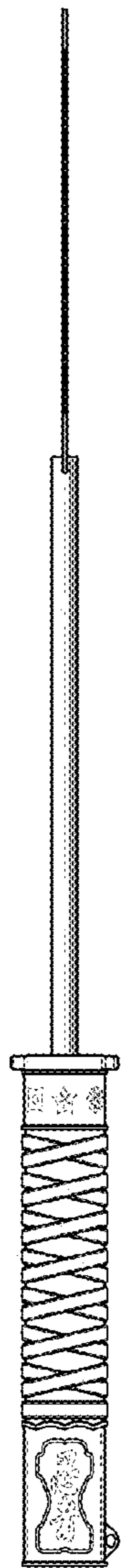


FIG. 4

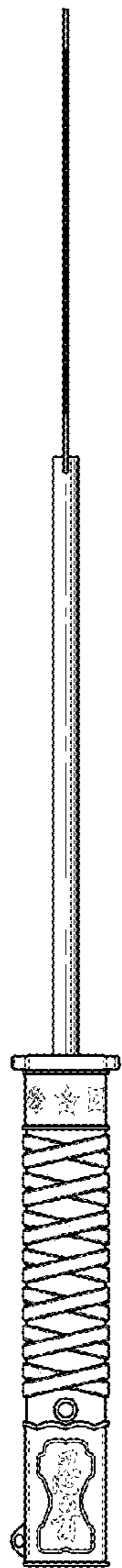


FIG. 5

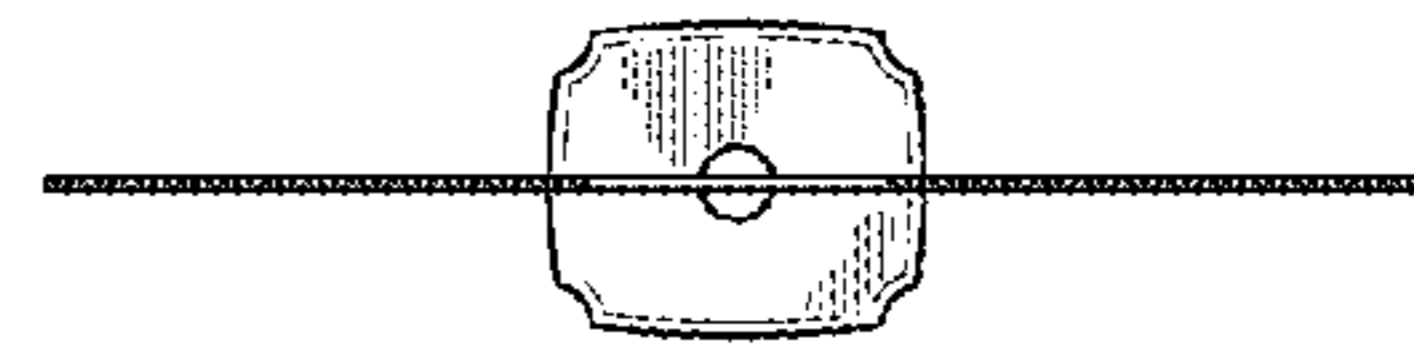


FIG. 6

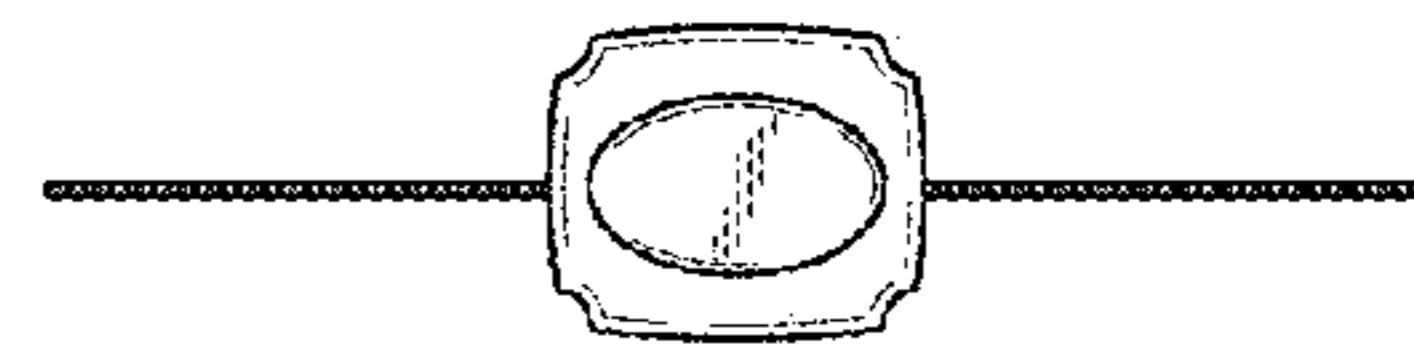


FIG. 7