



US00D712003S

(12) **United States Design Patent**
Bailey

(10) **Patent No.:** **US D712,003 S**

(45) **Date of Patent:** **** Aug. 26, 2014**

(54) **SHOOTING TARGET**

(71) Applicant: **Stuart William Bailey**, Swanbourne (AU)

(72) Inventor: **Stuart William Bailey**, Swanbourne (AU)

(**) Term: **14 Years**

(21) Appl. No.: **29/446,317**

(22) Filed: **Feb. 22, 2013**

(51) **LOC (10) Cl.** **22-04**

(52) **U.S. Cl.**
USPC **D22/113**

(58) **Field of Classification Search**
USPC D22/113, 199; 211/97, 118, 189–193;
D20/10–19, 39, 41, 99; D21/302, 790;
273/127 R, 407, 348, 331; 52/264,
52/270–272, 292, 293.3; D2/35, 39,
D2/42–44, 58, 100, 126–128, 199
See application file for complete search history.

(56) **References Cited**

U.S. PATENT DOCUMENTS

5,277,432	A *	1/1994	Bateman	273/407
5,676,378	A *	10/1997	West	273/390
D629,862	S *	12/2010	Kreiman et al.	D22/113
D689,164	S *	9/2013	Burress	D22/113
8,534,672	B2 *	9/2013	Brune	273/406
2011/0062668	A1 *	3/2011	Leimberer	273/407
2013/0207347	A1 *	8/2013	Sovine	273/390

* cited by examiner

Primary Examiner — Michael A Pratt

(74) *Attorney, Agent, or Firm* — Bracewell & Giuliani LLP

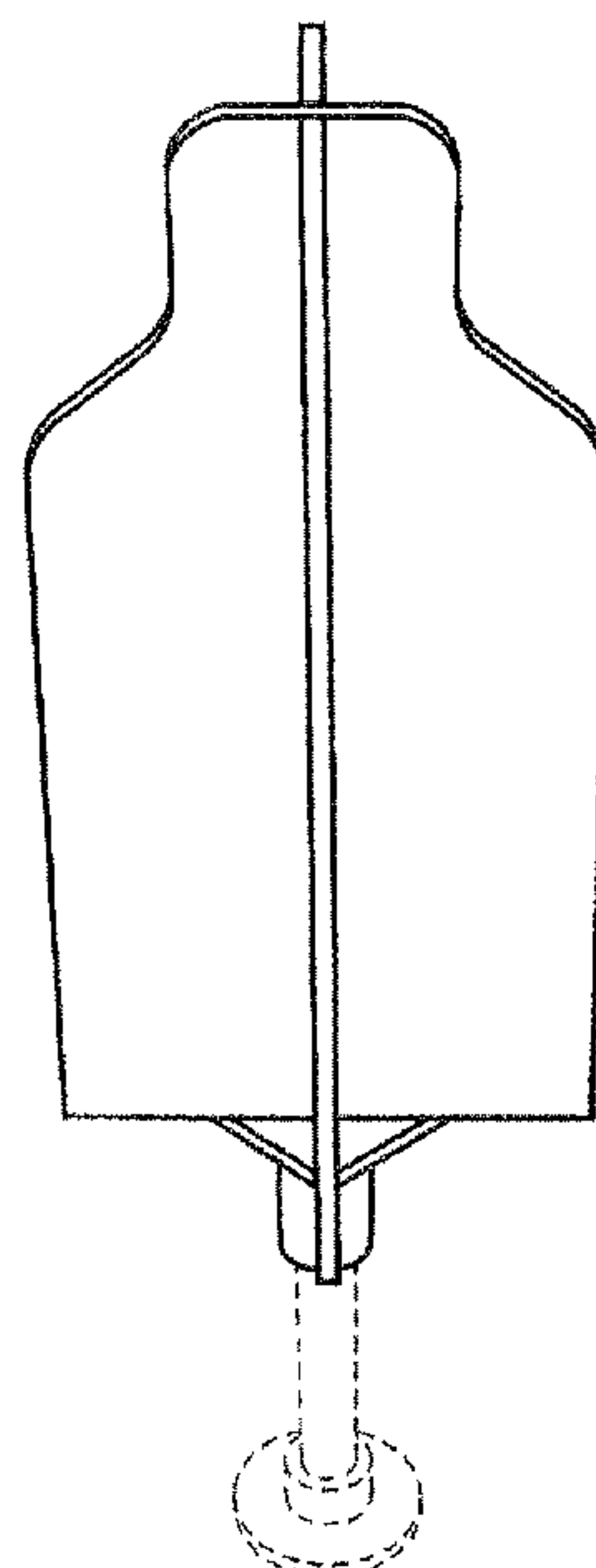
(57) **CLAIM**

The ornamental design for a shooting target, as shown and described.

DESCRIPTION

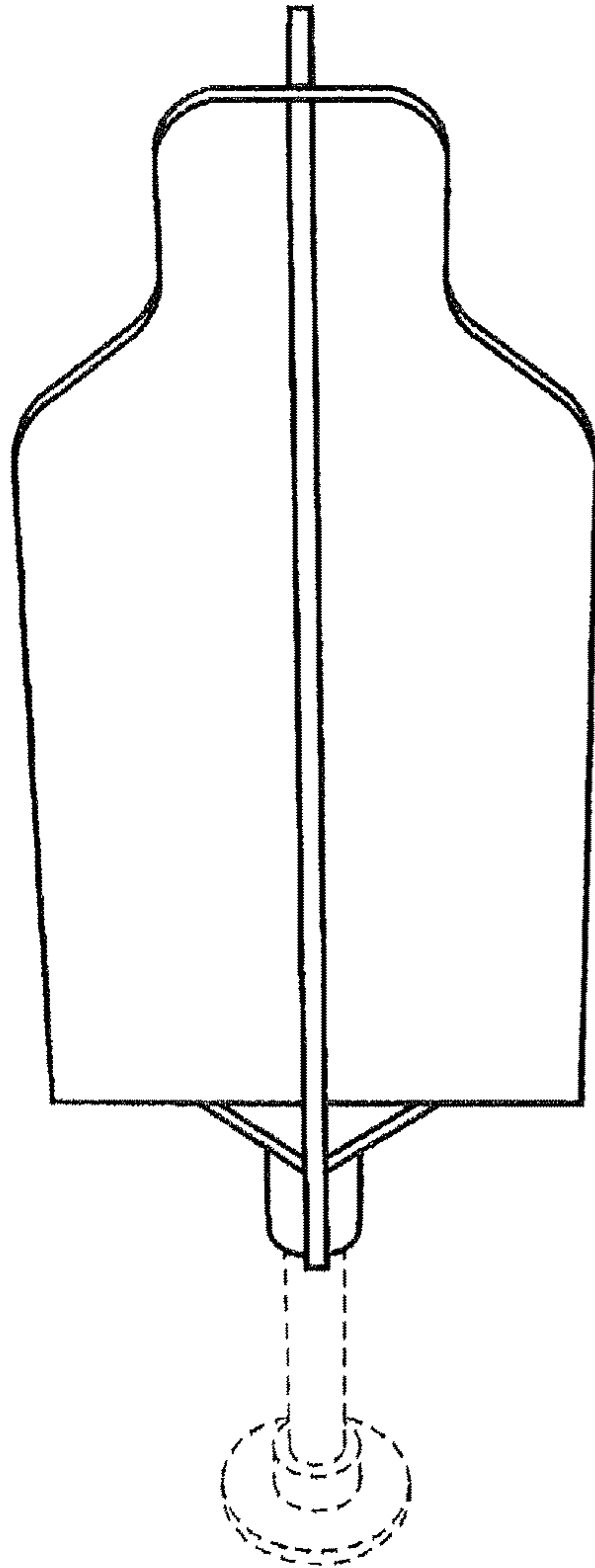
FIG. 1 is a perspective front view of a shooting target according to an embodiment of my invention;
 FIG. 2 is a perspective rear view of the shooting target of FIG. 1;
 FIG. 3 is a top plan view of the shooting target of FIG. 1;
 FIG. 4 is a side view of the shooting target of FIG. 1;
 FIG. 5 is a side view, rotated 45 degrees, of the shooting target of FIG. 1;
 FIG. 6 is a bottom plan view of the shooting target of FIG. 1;
 FIG. 7 is an additional perspective front view of the shooting target of FIG. 1;
 FIG. 8 is an additional perspective rear view of the shooting target of FIG. 1;
 FIG. 9 is an additional top plan view of the shooting target of FIG. 1;
 FIG. 10 is an additional side view of the shooting target of FIG. 1; and,
 FIG. 11 is an additional side view, rotated 45 degrees, of the shooting target of FIG. 1.
 The shooting target support base and central pole in phantom, i.e., in broken lines, depict environmental subject matter only and form no part of the claimed design.

1 Claim, 4 Drawing Sheets



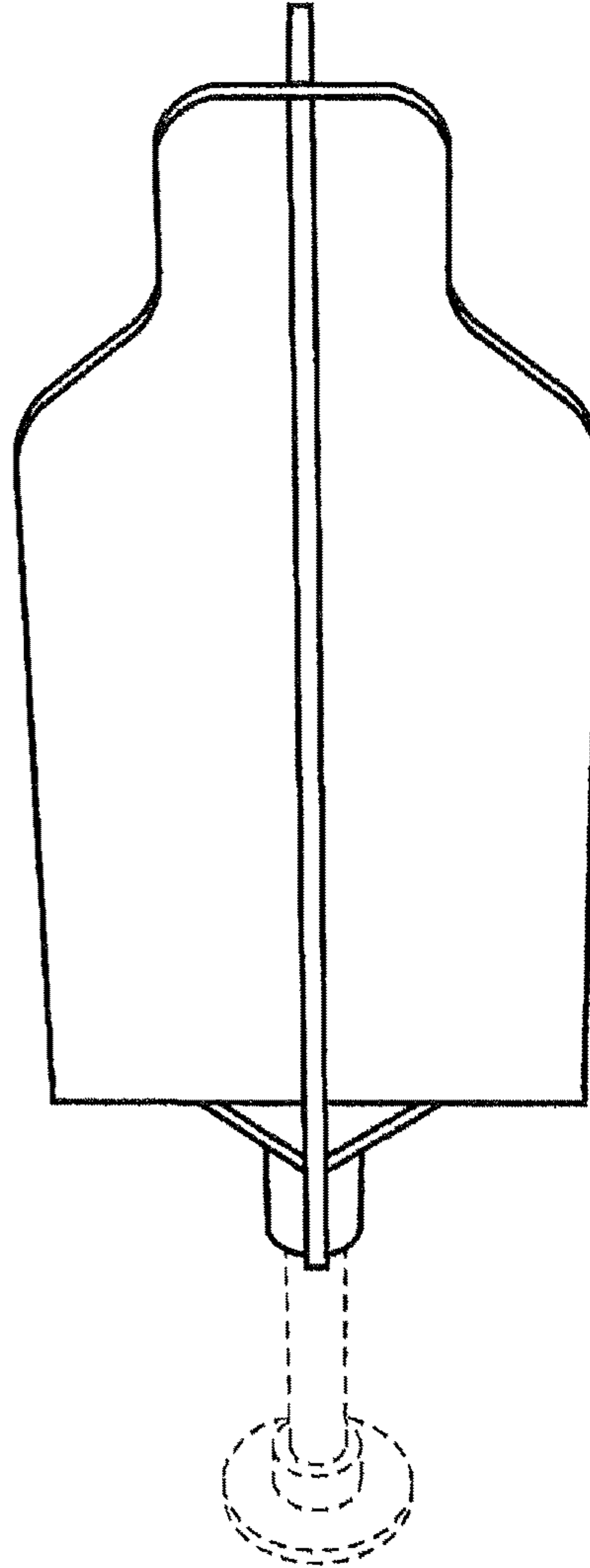
PERSPECTIVE VIEW
front

FIG. 1



PERSPECTIVE VIEW
front

FIG. 2



PERSPECTIVE VIEW
rear

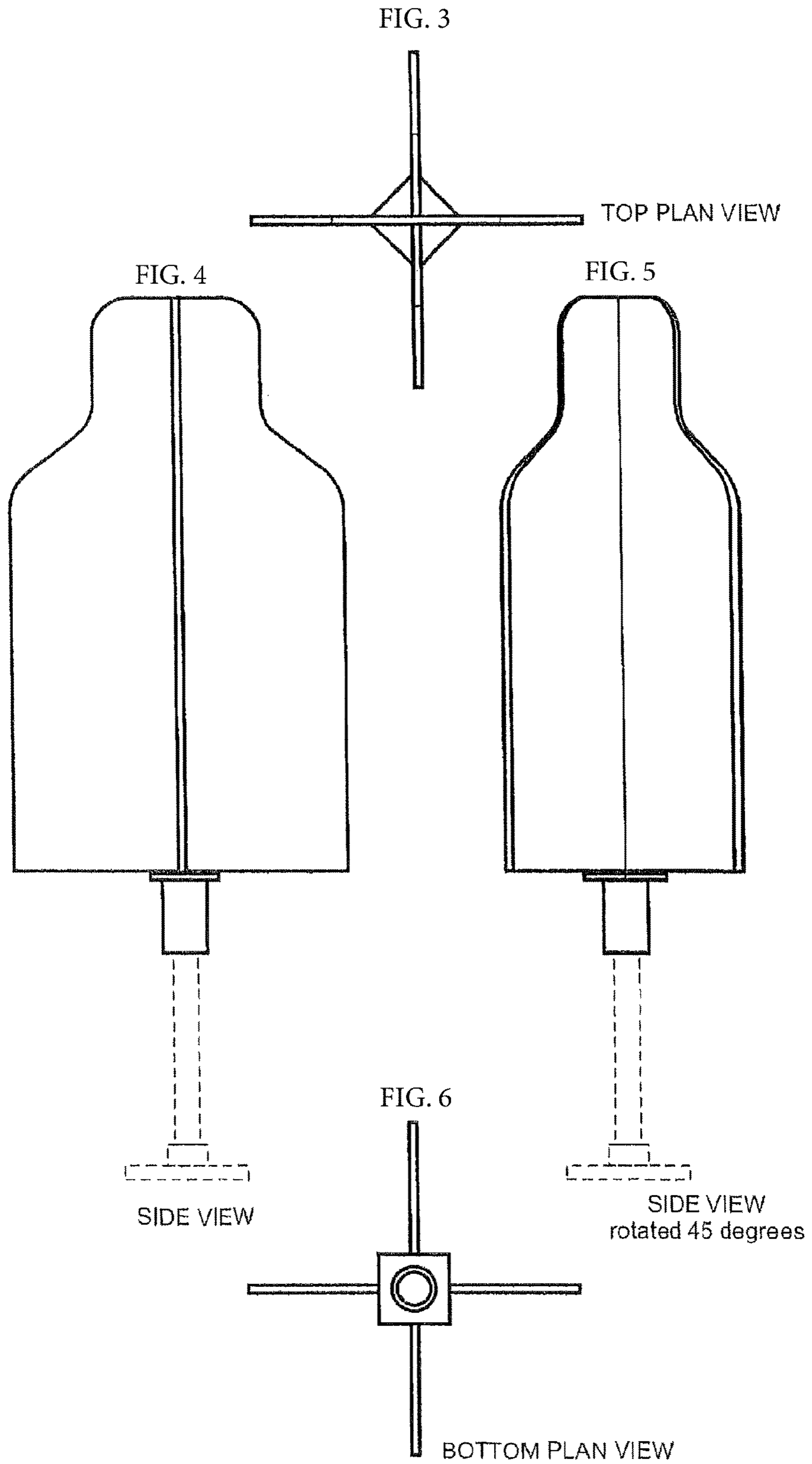
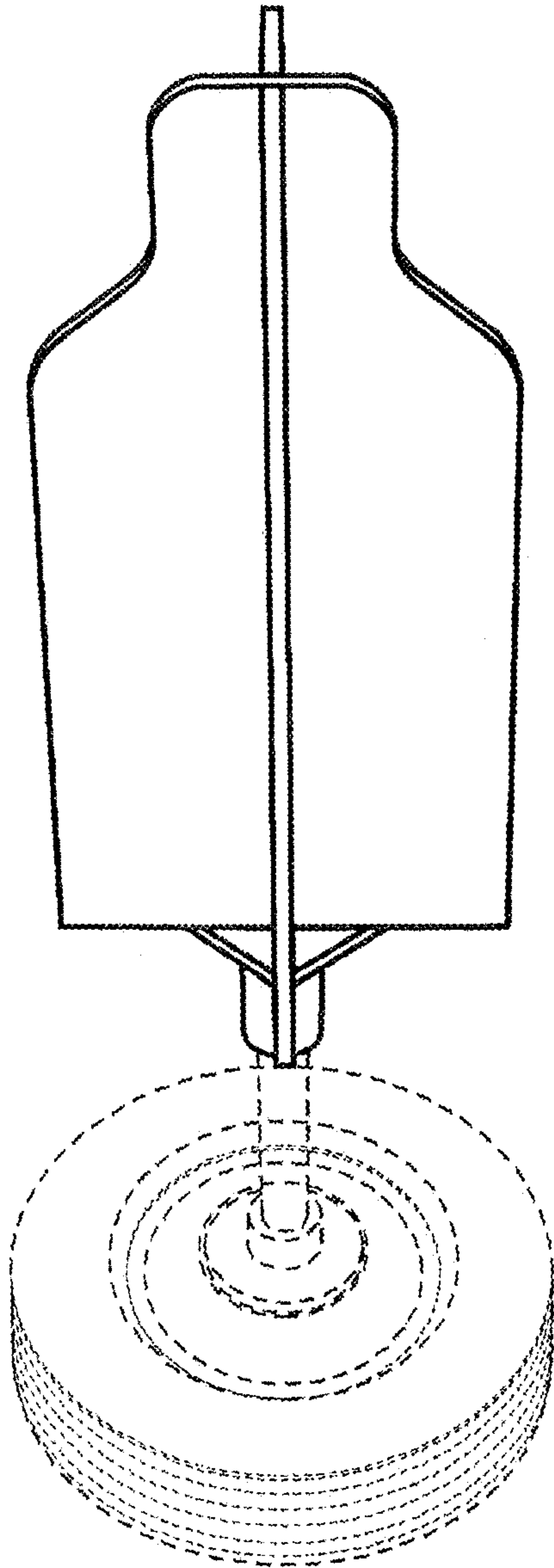
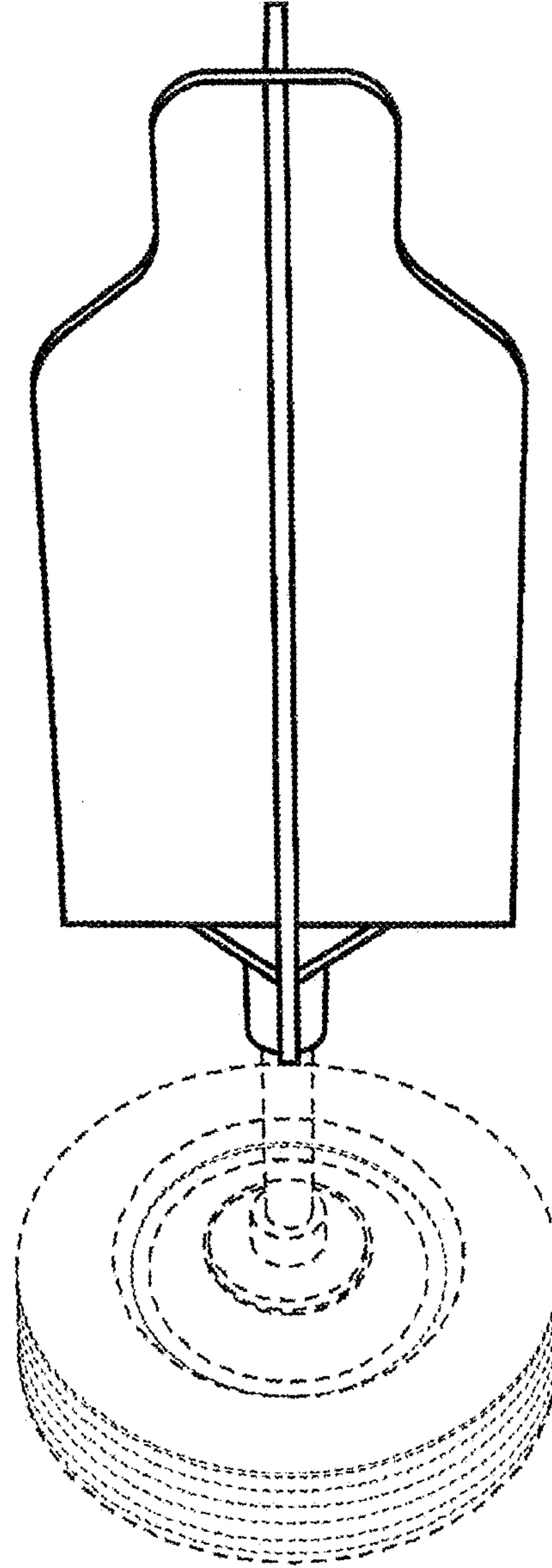


FIG. 7



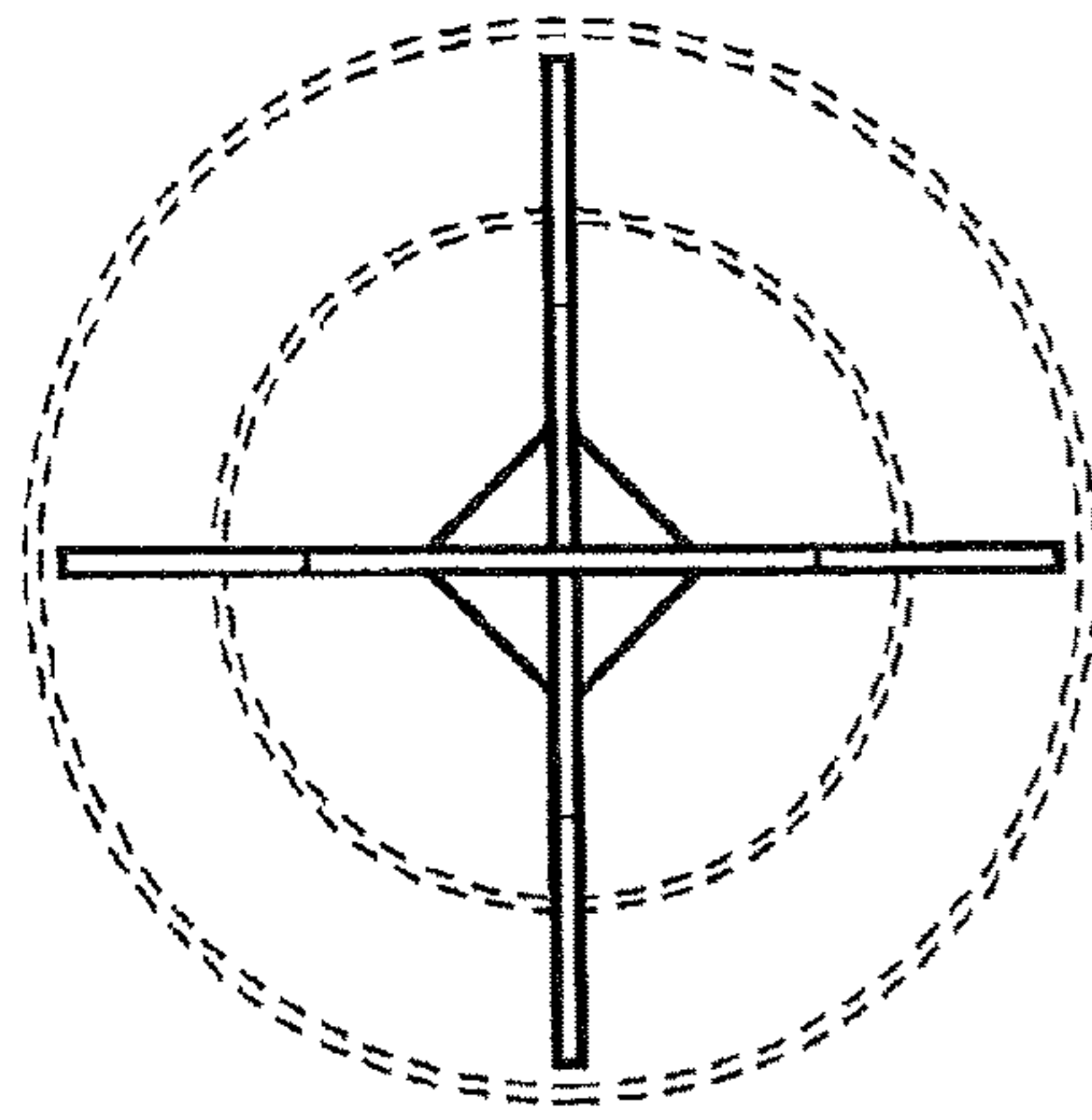
PERSPECTIVE VIEW
front

FIG. 8



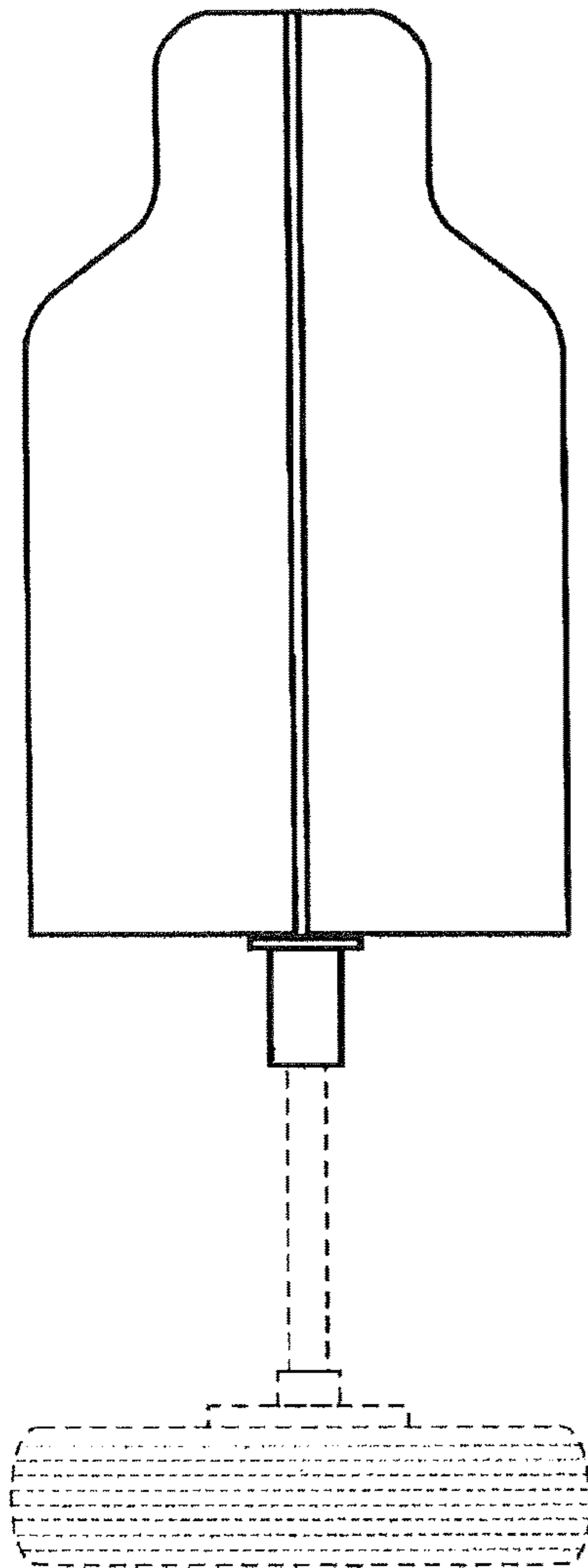
PERSPECTIVE VIEW
rear

FIG. 9



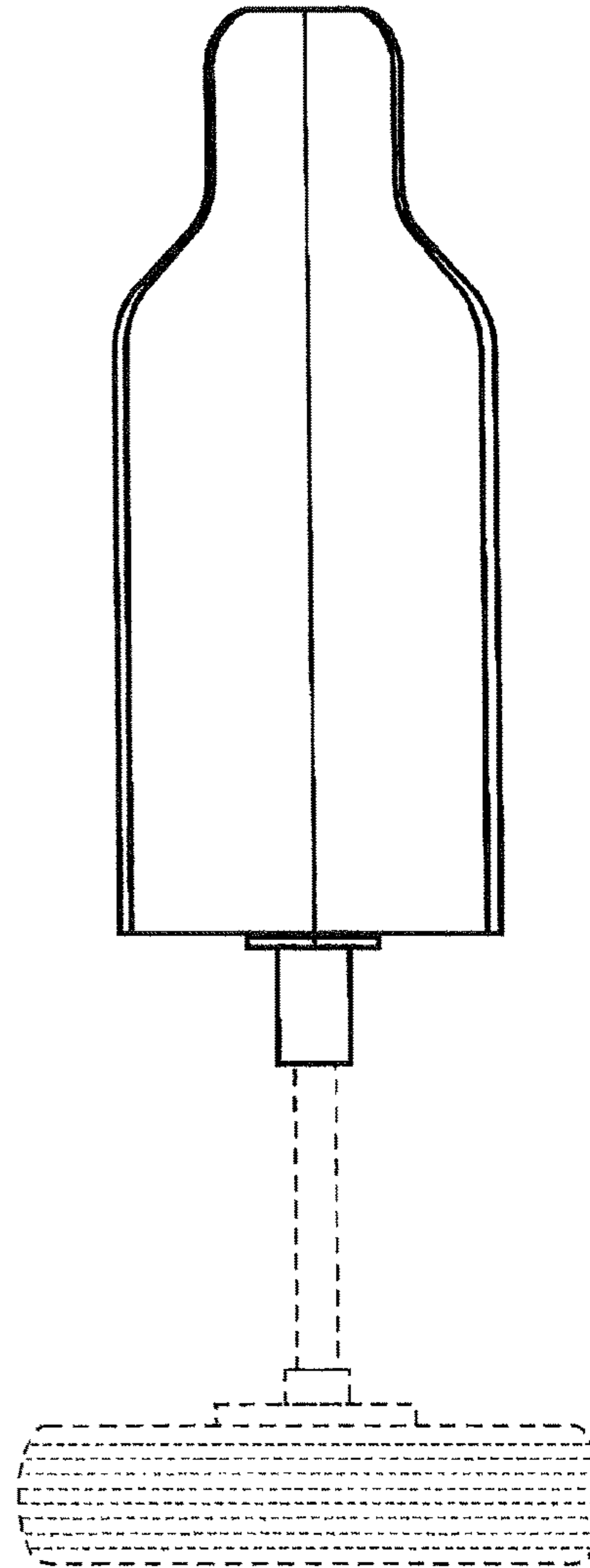
TOP PLAN VIEW

FIG. 10



SIDE VIEW

FIG. 11



SIDE VIEW
rotated 45 degrees