



US00D712002S

(12) **United States Design Patent**
Bolton

(10) **Patent No.:** **US D712,002 S**

(45) **Date of Patent:** **** Aug. 26, 2014**

(54) **BOLT HANDLE EXTENSION**

(71) Applicant: **Jamie Bennett Bolton**, Mooresville, NC
(US)

(72) Inventor: **Jamie Bennett Bolton**, Mooresville, NC
(US)

(**) Term: **14 Years**

(21) Appl. No.: **29/452,426**

(22) Filed: **Apr. 16, 2013**

(51) **LOC (10) Cl.** **22-01**

(52) **U.S. Cl.**
USPC **D22/108**

(58) **Field of Classification Search**
USPC D22/108; 16/114 R, 11 R; 42/71.01-74;
292/DIG. 2, 374; 74/553, 558.5
See application file for complete search history.

(56) **References Cited**

U.S. PATENT DOCUMENTS

3,130,513	A *	4/1964	Knobe, Jr.	42/70.06
3,745,683	A *	7/1973	Koon, Jr.	42/16
D418,390	S *	1/2000	Marquis	D8/322
D642,652	S *	8/2011	Juarez et al.	D22/108

* cited by examiner

Primary Examiner — Michael A Pratt

(74) *Attorney, Agent, or Firm* — Thomas D. McClure, Jr.

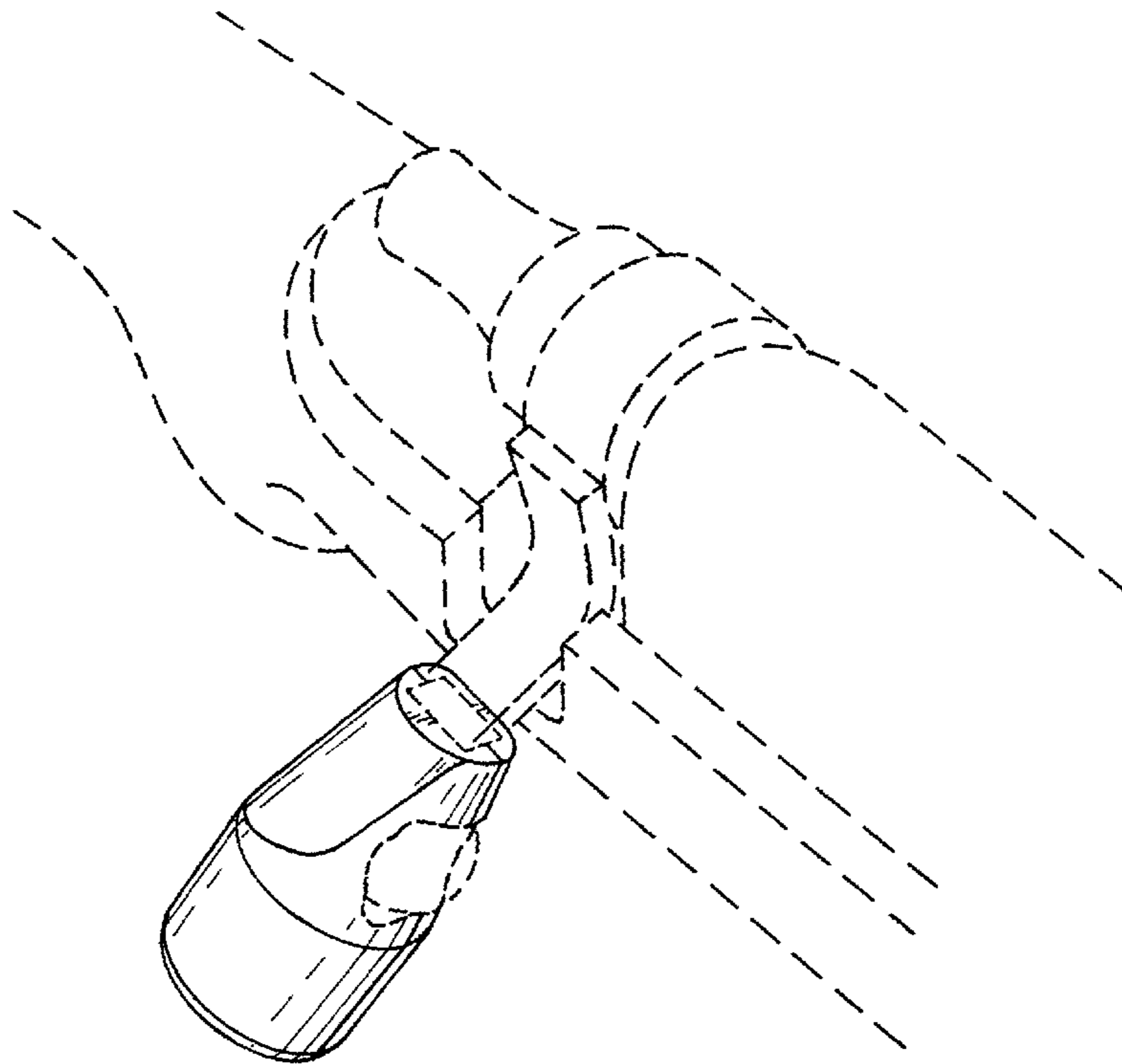
(57) **CLAIM**

The ornamental design for a bolt handle extension, as shown and described.

DESCRIPTION

FIG. 1 is a perspective view of a bolt handle extension showing the extension attached to a rifle;
 FIG. 2 is a front elevation view of the bolt handle extension of FIG. 1;
 FIG. 3 is a left elevation view of the bolt handle extension of FIG. 1;
 FIG. 4 is a right elevation view of the bolt handle extension of FIG. 1;
 FIG. 5 is a rear elevation view of the bolt handle extension of FIG. 1;
 FIG. 6 is a plan view of the bolt handle extension of FIG. 1; and,
 FIG. 7 is a bottom view of the bolt handle extension of FIG. 1.
 The broken line showings of a rifle and of portions of the bolt handle extension are for the purposes of illustrating environmental structure and form no part of the claimed design.

1 Claim, 2 Drawing Sheets



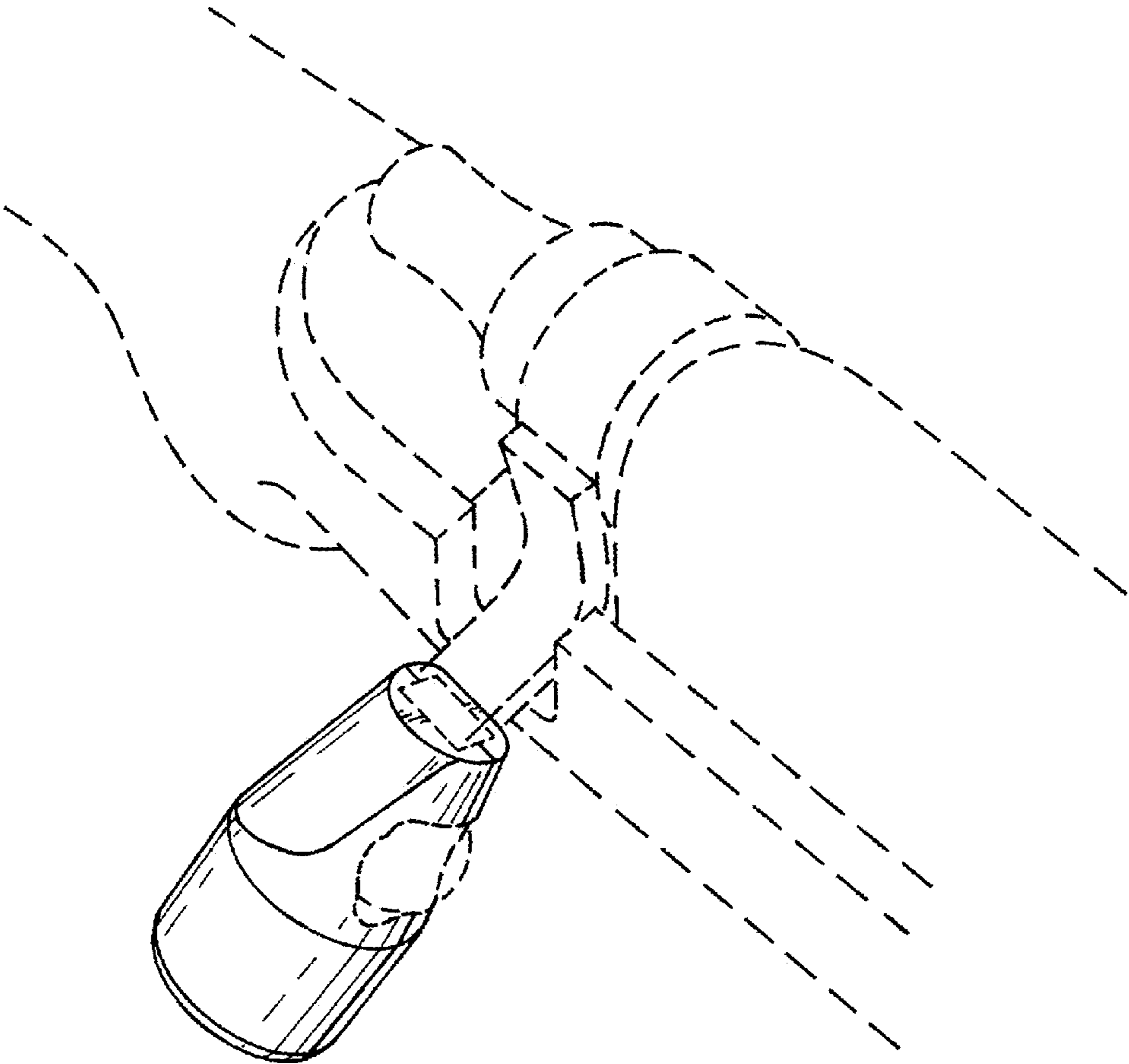


FIG. 1

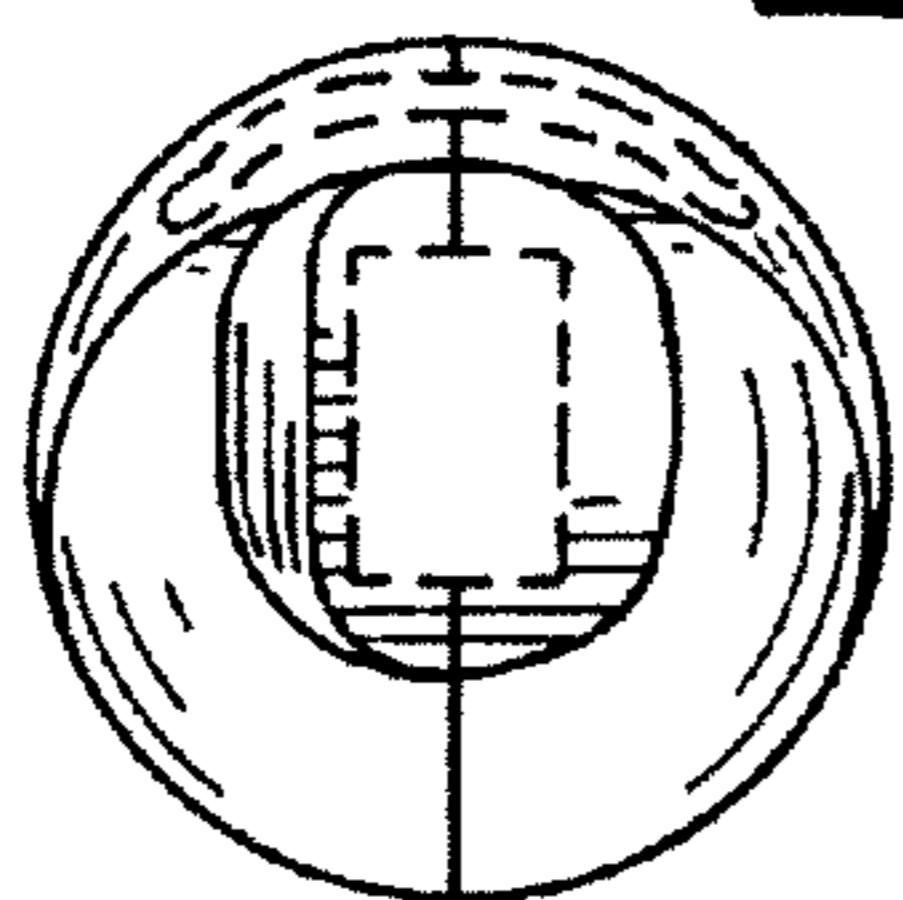


FIG. 6

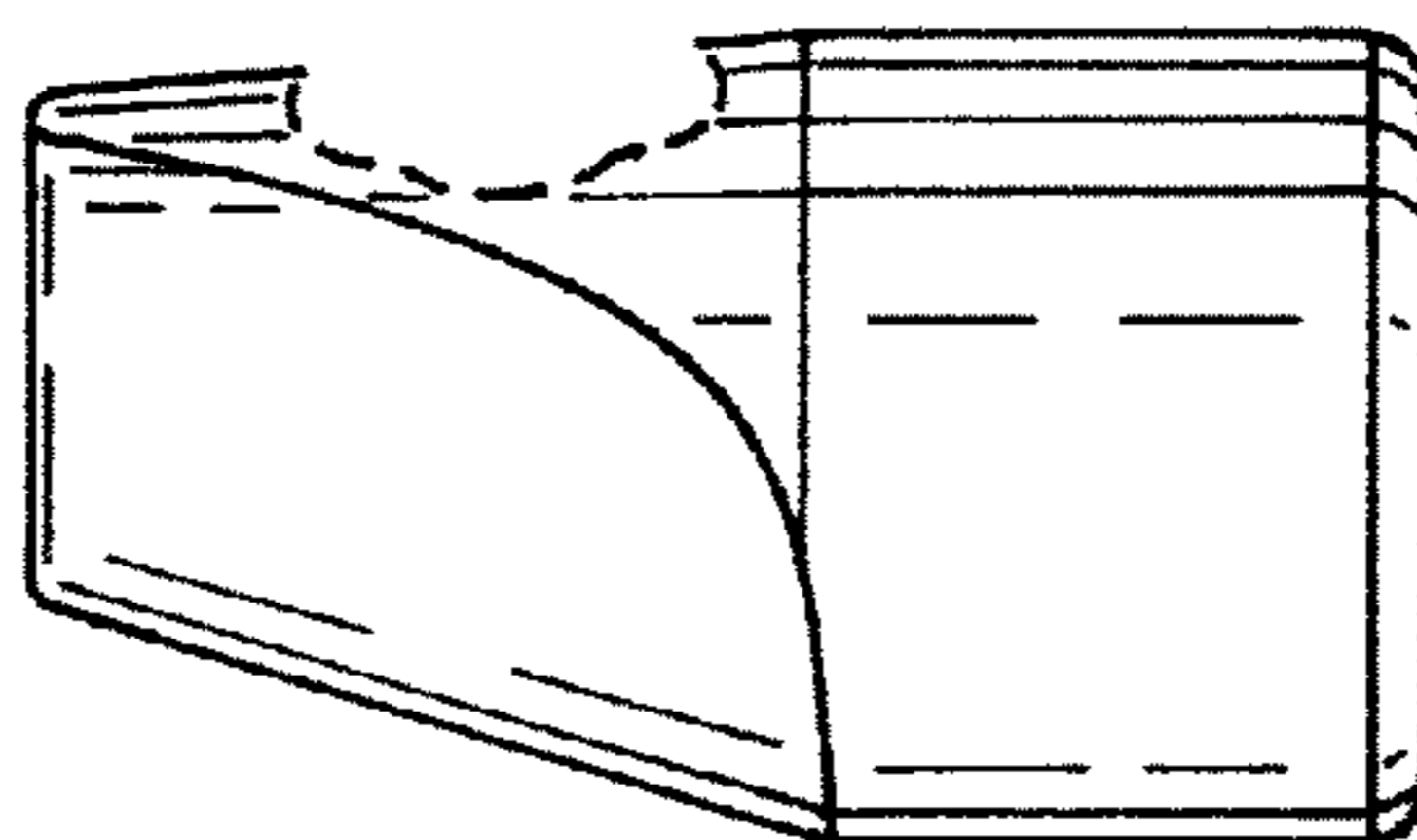


FIG. 2

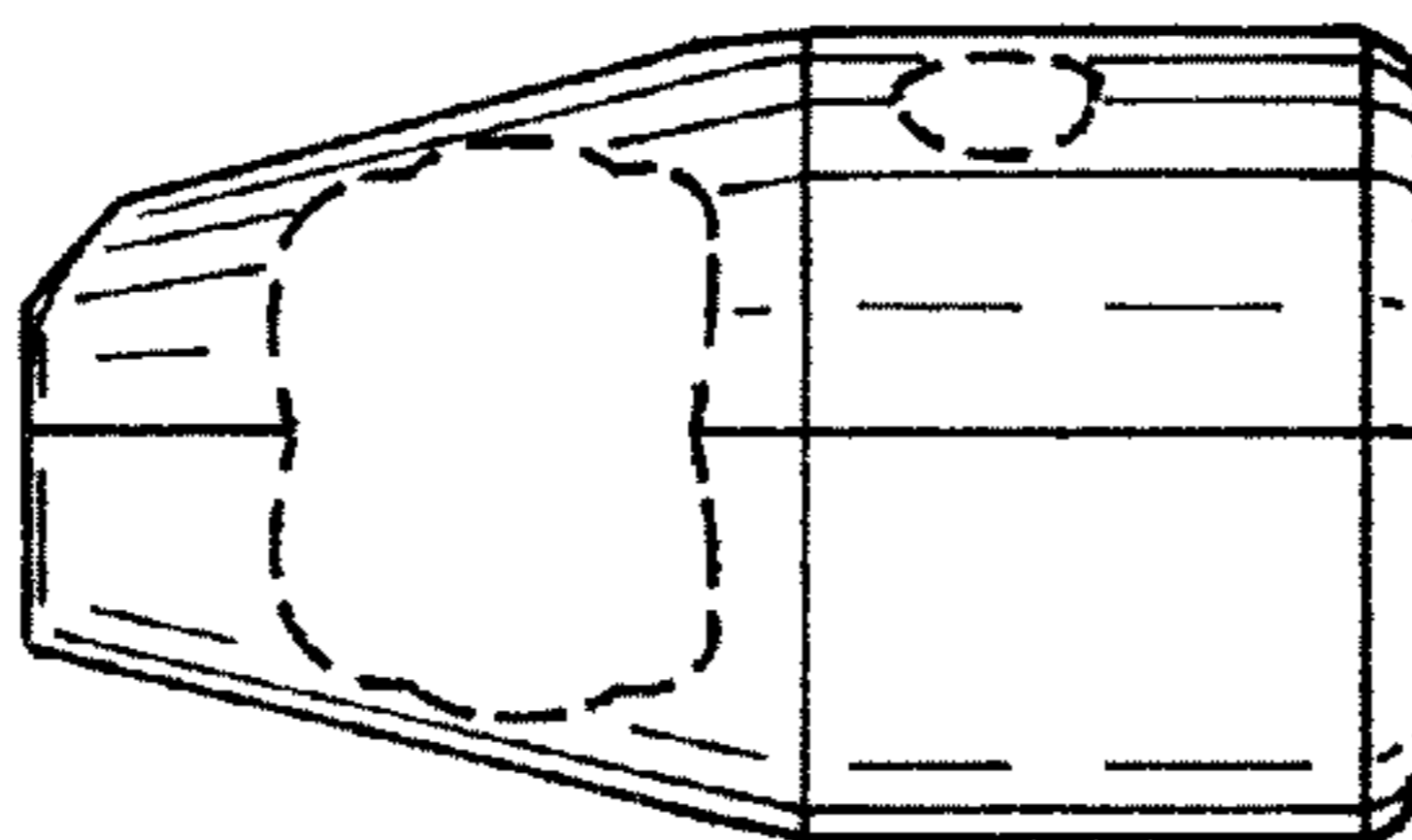


FIG. 4

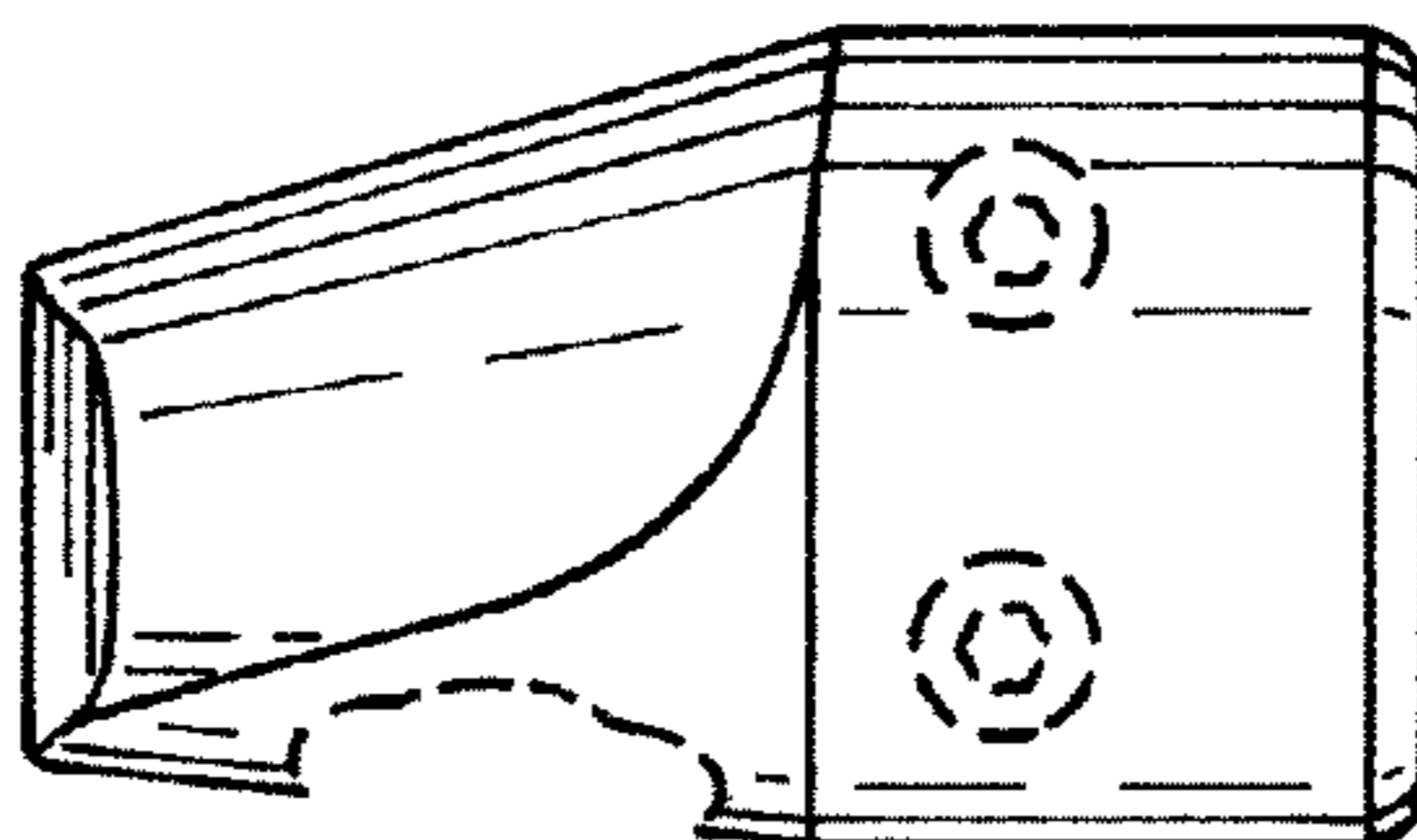


FIG. 5

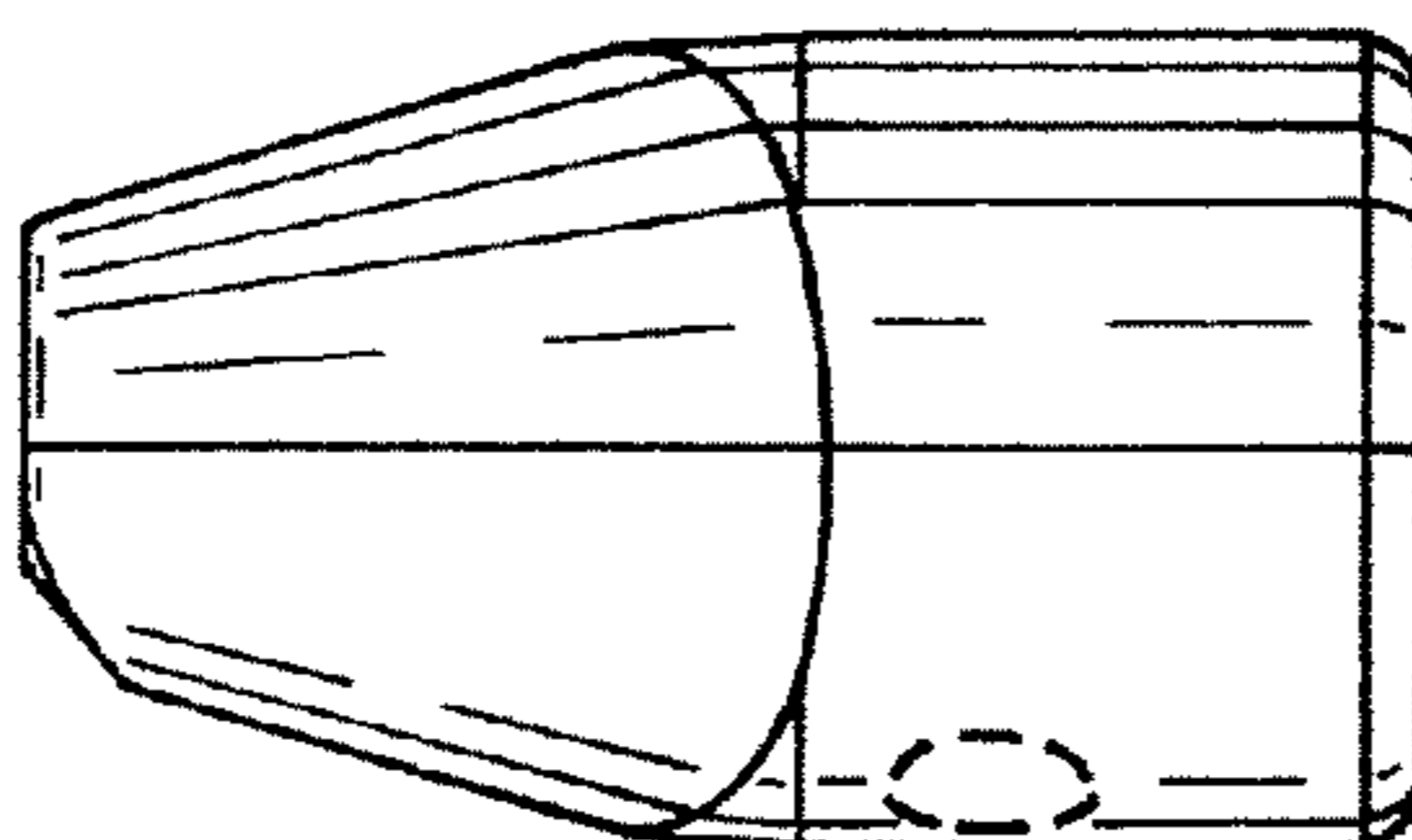


FIG. 3

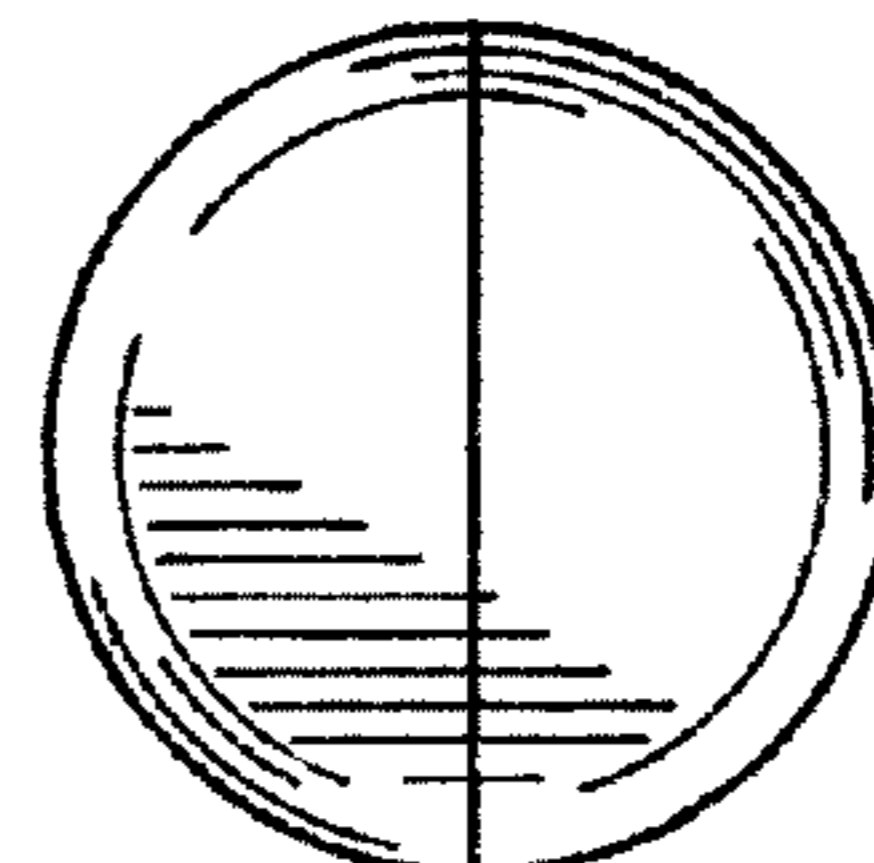


FIG. 7