



US00D712001S

(12) **United States Design Patent**
Wells

(10) **Patent No.:** **US D712,001 S**

(45) **Date of Patent:** **** Aug. 26, 2014**

(54) **LIGHTING DEVICE**

(71) Applicant: **SureFire LLC**, Fountain Valley, CA
(US)

(72) Inventor: **William Wells**, Costa Mesa, CA (US)

(73) Assignee: **SureFire, LLC**, Fountain Valley, CA
(US)

(**) Term: **14 Years**

(21) Appl. No.: **29/448,278**

(22) Filed: **Mar. 11, 2013**

(51) **LOC (10) Cl.** **22-01**

(52) **U.S. Cl.**
USPC **D22/108**

(58) **Field of Classification Search**
USPC D22/108-109; D26/24-27, 38, 40, 42,
D26/46-47, 51, 60, 113, 118, 130-133,
D26/136; 42/123-124, 127, 131-132, 146;
362/157-158, 183, 184, 190, 194, 195,
362/196, 197, 202-208
See application file for complete search history.

(56) **References Cited**

U.S. PATENT DOCUMENTS

D95,274 S	4/1935	Levy	
5,430,967 A *	7/1995	Woodman et al.	42/114
D398,410 S *	9/1998	Fell et al.	D26/38
6,526,688 B1 *	3/2003	Danielson et al.	42/114
7,225,578 B2 *	6/2007	Tai	42/132
D548,385 S	8/2007	Sharrah et al.	
D567,894 S	4/2008	Sterling et al.	
D568,508 S	5/2008	Howe et al.	
D578,599 S	10/2008	Cheng	
D581,586 S	11/2008	Conroy	
D585,516 S	1/2009	Smith	
7,493,722 B2 *	2/2009	Howe et al.	42/146
7,576,515 B2	8/2009	Greenslade	

D600,772 S	9/2009	Swan	
7,614,760 B2 *	11/2009	Sharrah et al.	362/111
D612,970 S *	3/2010	Sharrah et al.	D26/60
D616,956 S	6/2010	Hamilton	
7,731,380 B2 *	6/2010	Wu	362/113
7,735,255 B1 *	6/2010	Kincaid et al.	42/146
D628,323 S	11/2010	Matthews et al.	
D628,324 S	11/2010	Matthews et al.	
7,905,624 B2 *	3/2011	Bushee et al.	362/206
2004/0068913 A1	4/2004	Solinsky et al.	
2007/0227056 A1	10/2007	Howe et al.	
2008/0134562 A1	6/2008	Teetzel	
2009/0122527 A1 *	5/2009	Galli	362/110
2010/0164401 A1	7/2010	Matthews et al.	

OTHER PUBLICATIONS

U.S. Appl. No. 29/441,791, filed Jan. 9, 2013, inventor: William Wells, 10 pages.

* cited by examiner

Primary Examiner — Michael A Pratt

(74) *Attorney, Agent, or Firm* — Haynes and Boone, LLP

(57) **CLAIM**

The ornamental design for a lighting device, as shown and described.

DESCRIPTION

FIG. 1 is a front perspective view of a lighting device showing my new design;

FIG. 2 is a rear perspective view thereof;

FIG. 3 is a left side elevational view thereof;

FIG. 4 is a right side elevational view thereof;

FIG. 5 is a top plan view thereof;

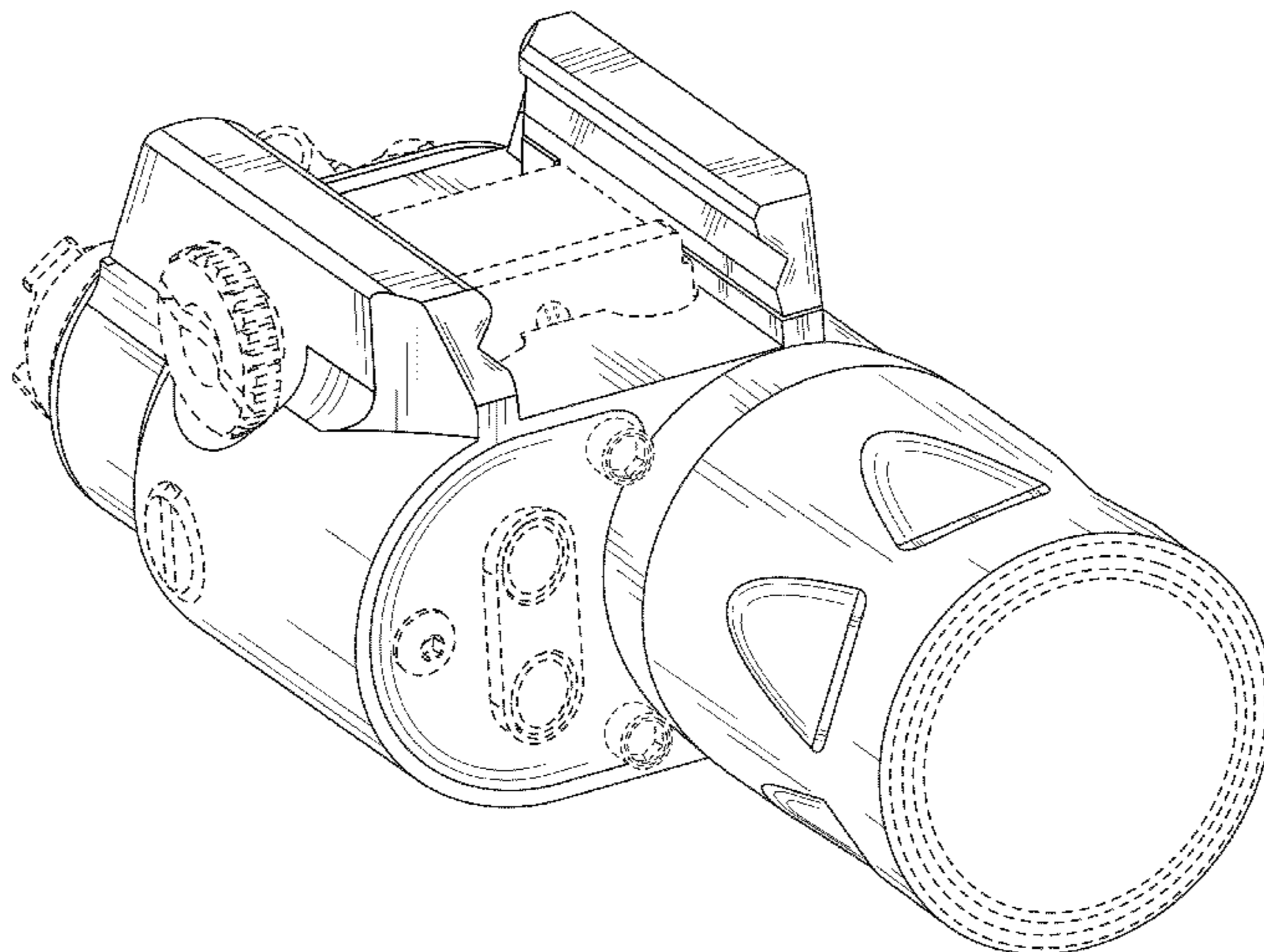
FIG. 6 is a bottom plan view thereof;

FIG. 7 is a front side elevational view thereof; and,

FIG. 8 is a rear side elevational view thereof.

The broken lines in the drawings illustrate environmental features and form no part of the claimed design.

1 Claim, 8 Drawing Sheets



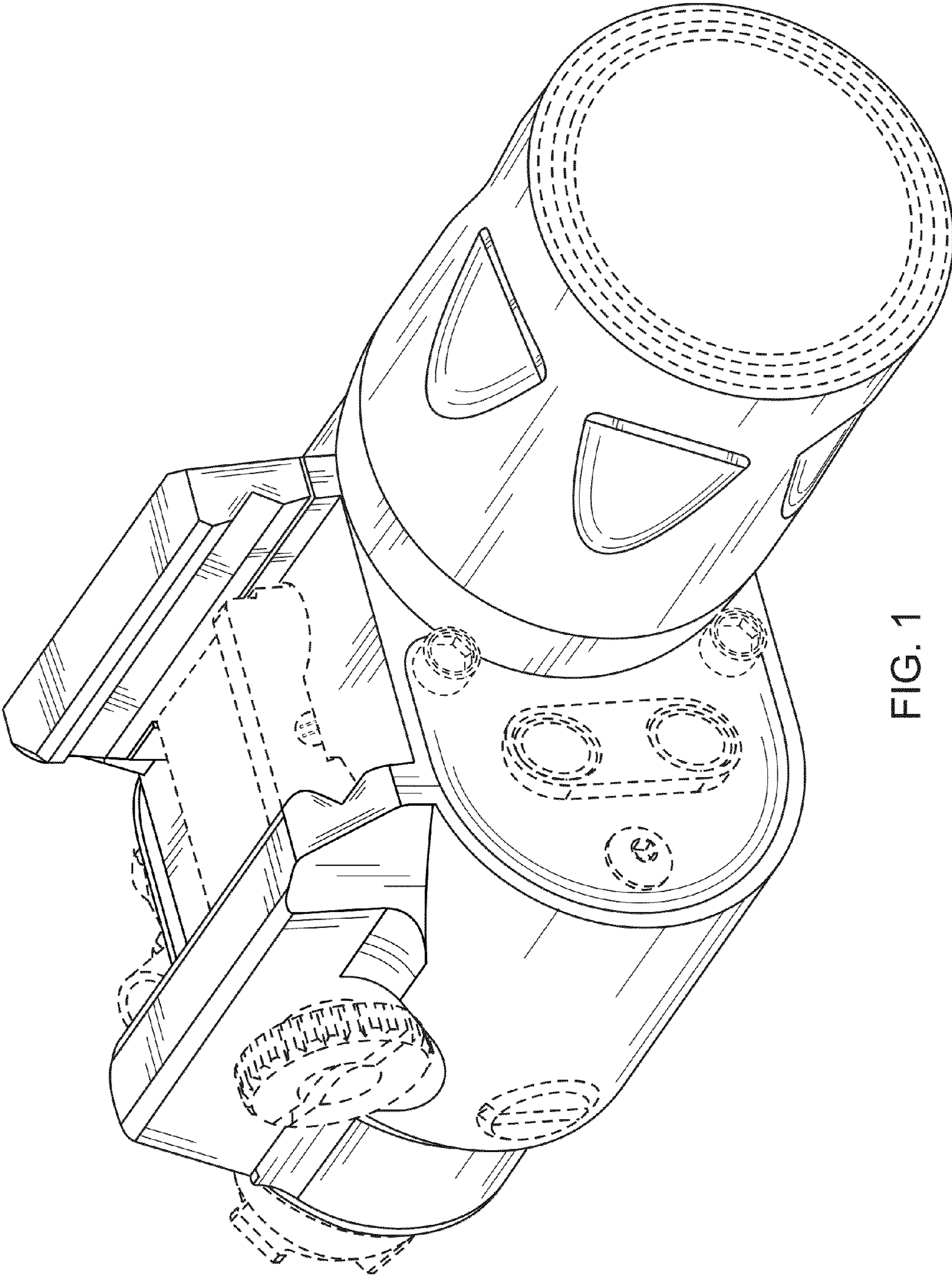


FIG. 1

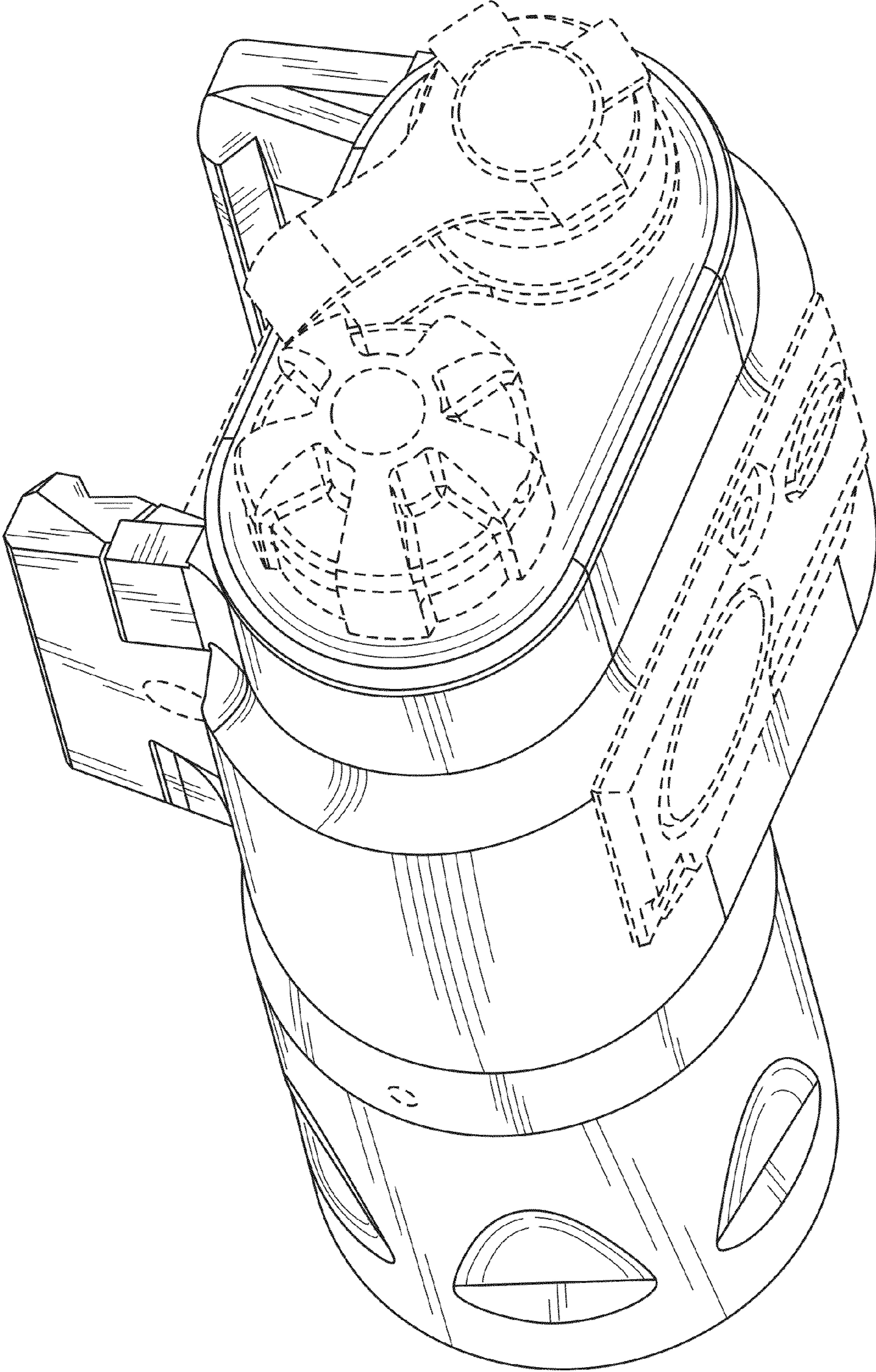


FIG. 2

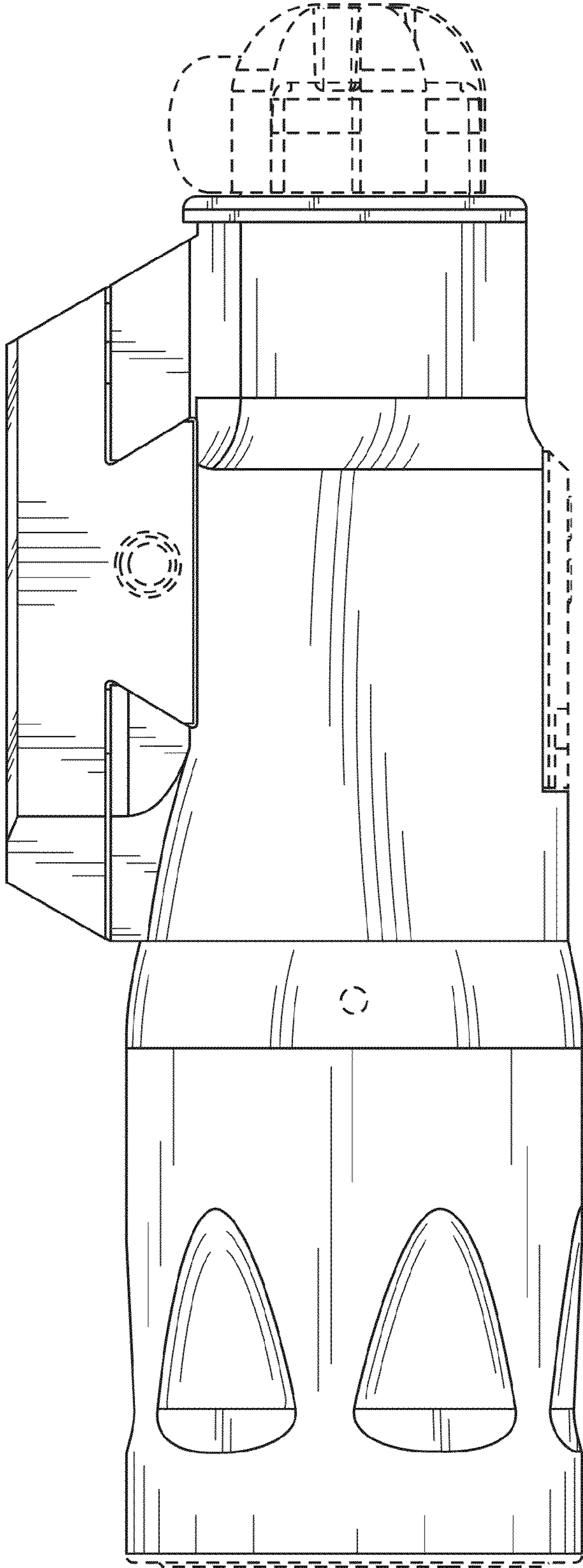


FIG. 3

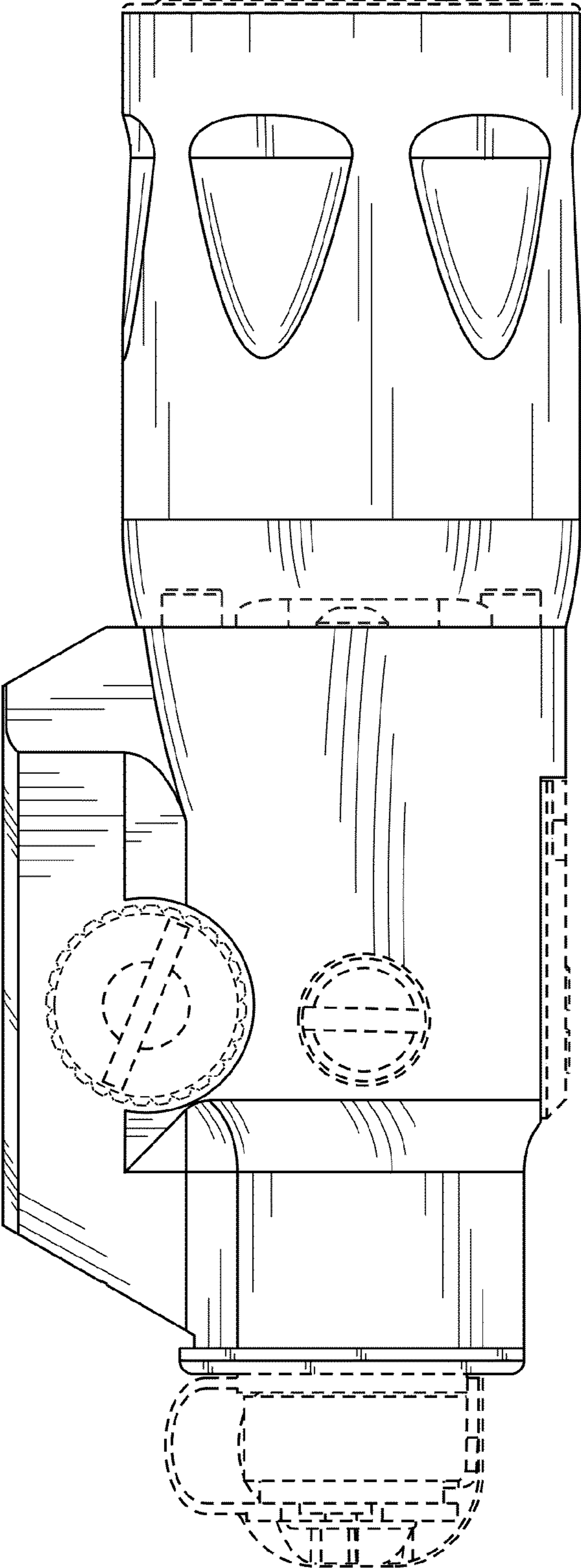


FIG. 4

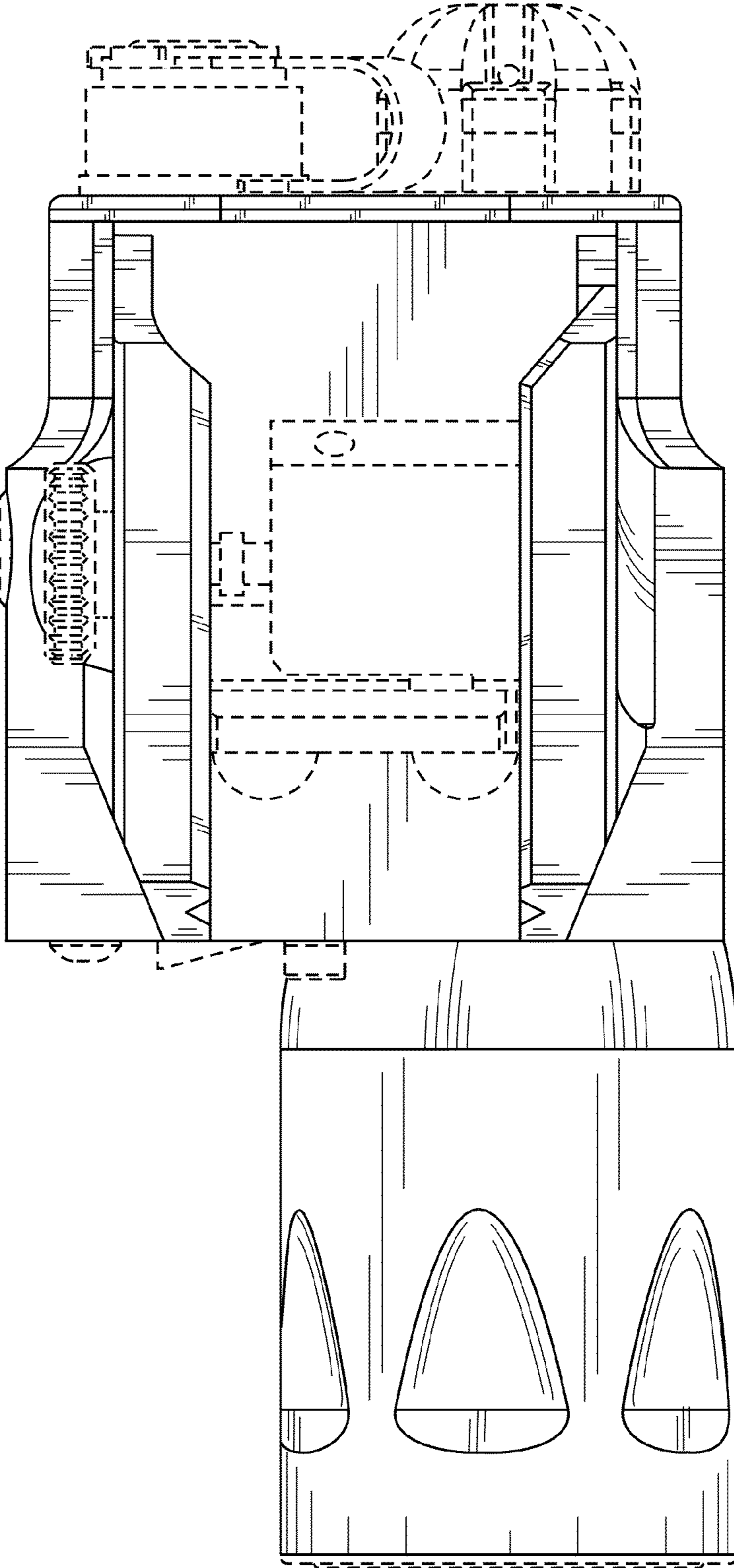


FIG. 5

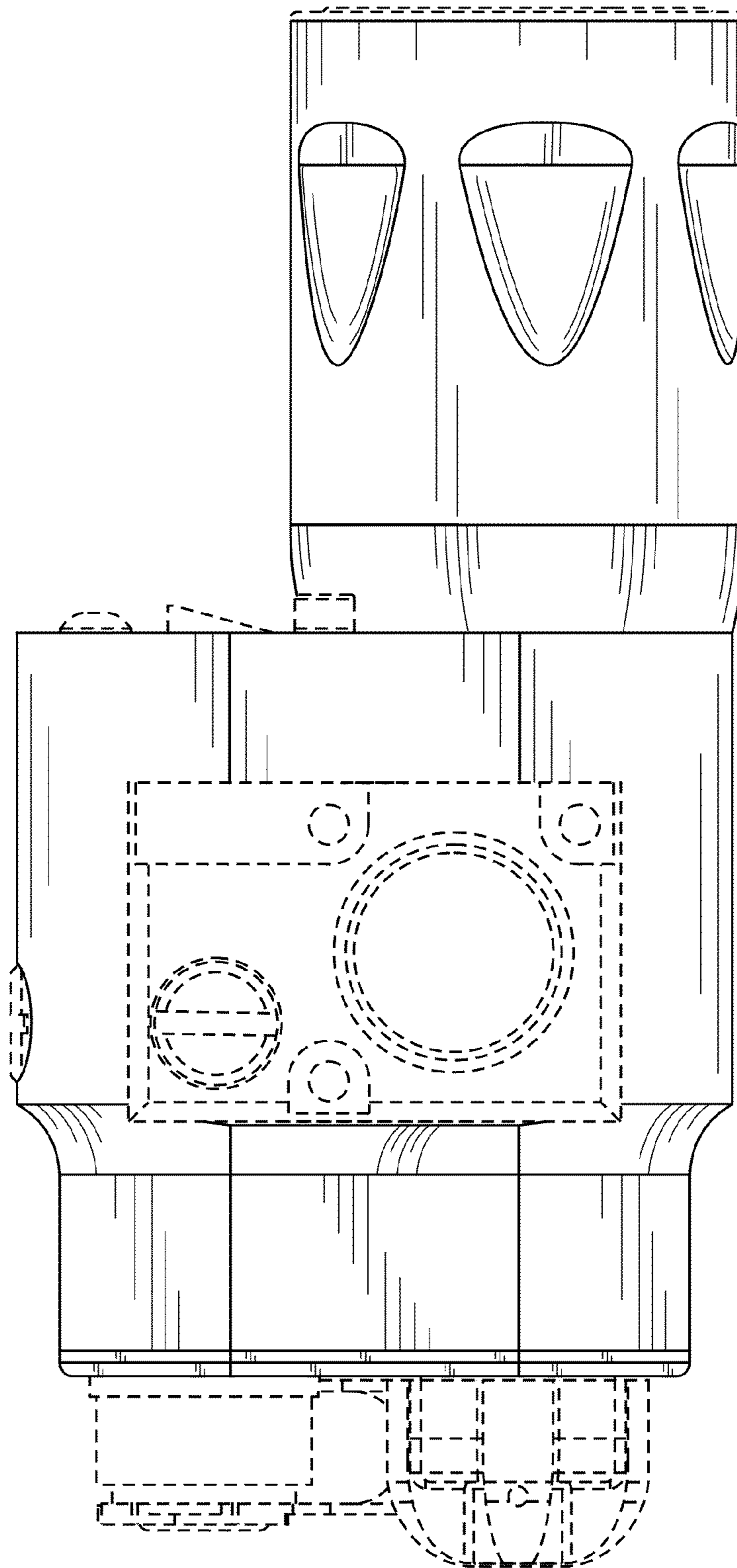


FIG. 6

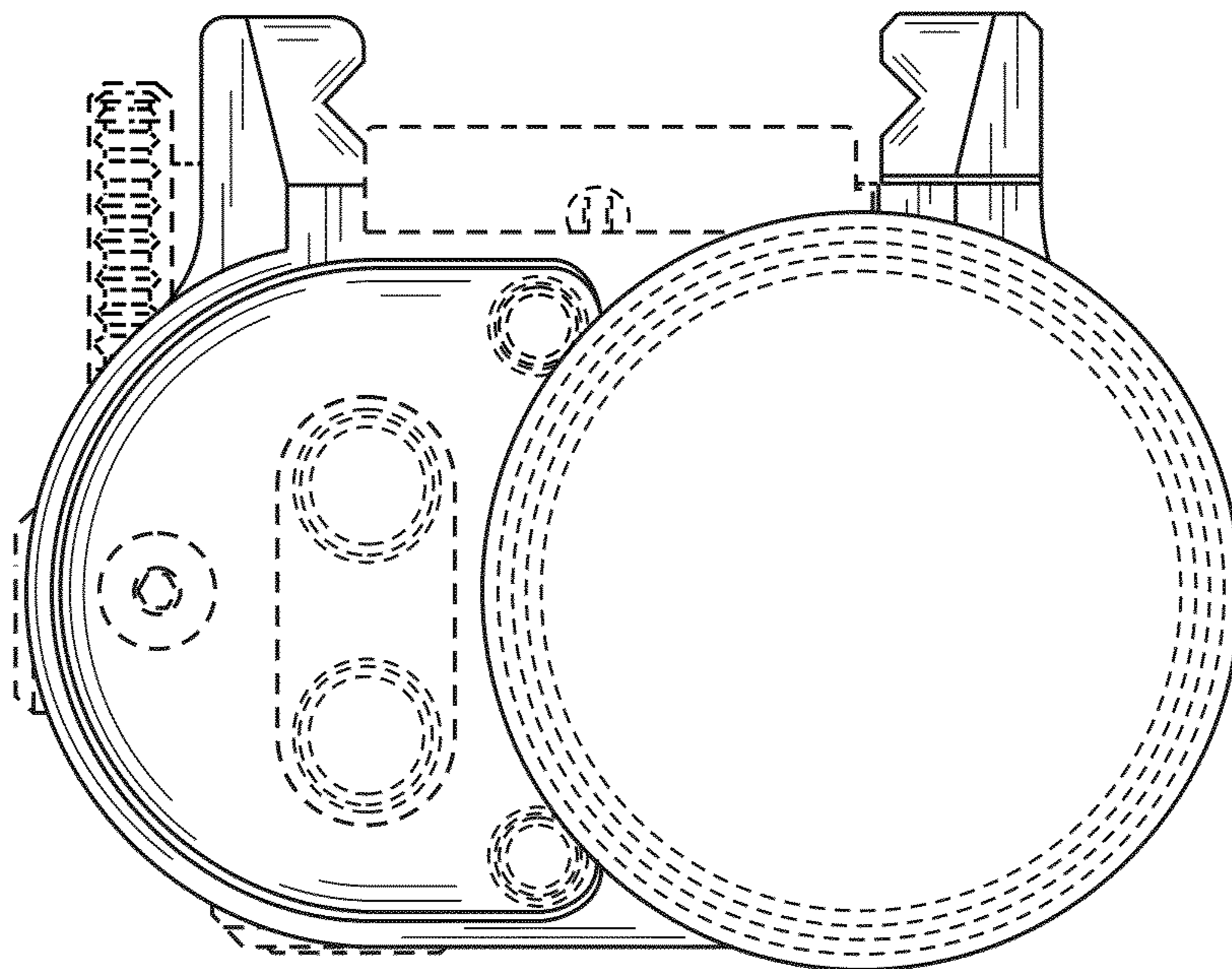


FIG. 7

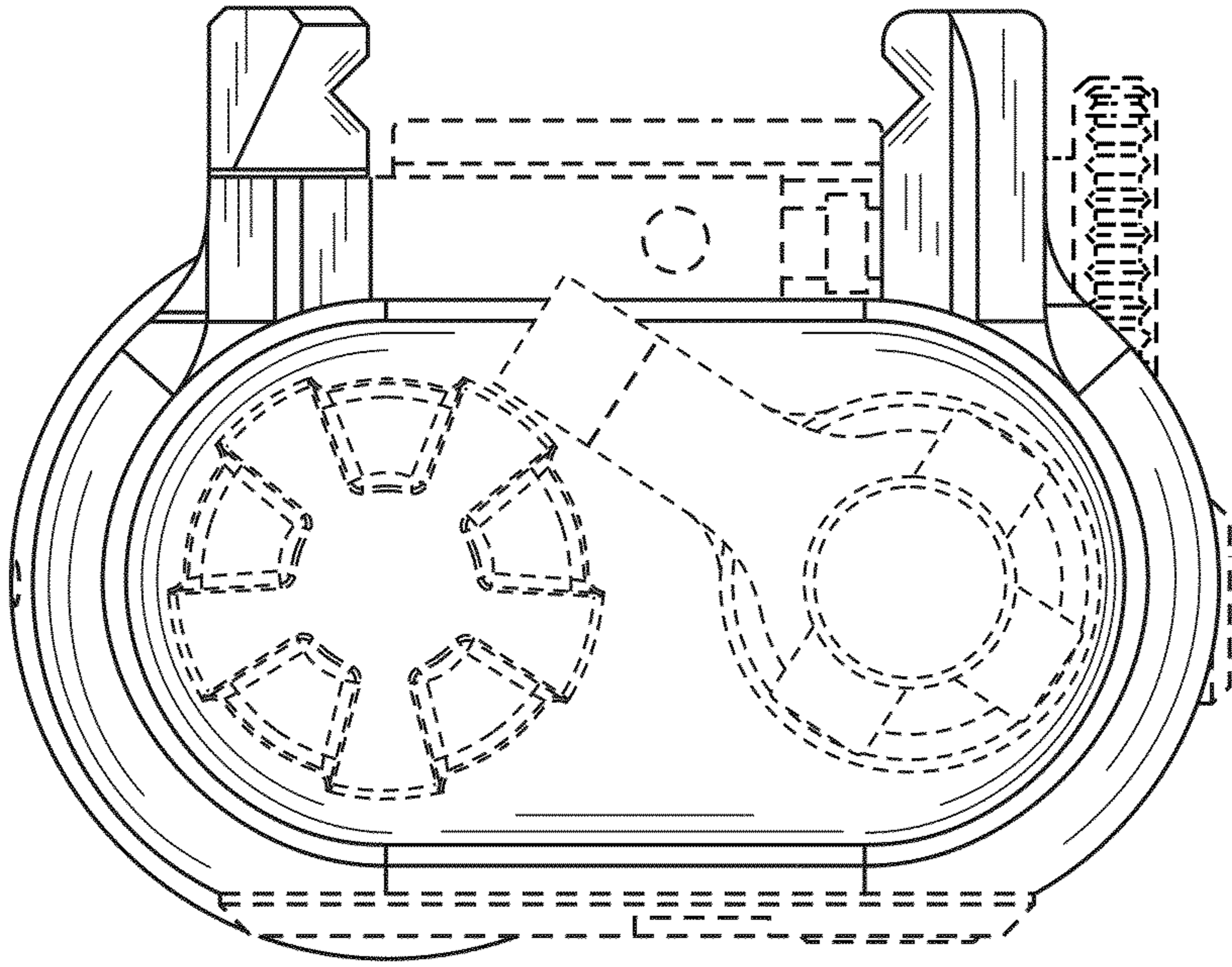


FIG. 8