



US00D712000S

(12) **United States Design Patent**
Behling

(10) **Patent No.:** **US D712,000 S**

(45) **Date of Patent:** **** Aug. 26, 2014**

- (54) **RECEIVER FOR A RIFLE**
- (71) Applicant: **E.R. Shaw, Inc.**, Bridgeville, PA (US)
- (72) Inventor: **Carl H. Behling**, Bridgeville, PA (US)
- (73) Assignee: **E. R. Shaw, Inc.**, Bridgeville, PA (US)
- (**) Term: **14 Years**
- (21) Appl. No.: **29/441,974**
- (22) Filed: **Jan. 11, 2013**
- (51) **LOC (10) Cl.** **22-01**
- (52) **U.S. Cl.**
USPC **D22/108**
- (58) **Field of Classification Search**
USPC D22/108; 42/90, 85, 106, 113–114,
42/124–128; 89/37.03–37.04, 41.17
See application file for complete search history.

D683,417	S	*	5/2013	Daniel et al.	D22/108
D687,509	S	*	8/2013	Iannello et al.	D22/108
8,505,231	B2	*	8/2013	Chung	42/113
D693,897	S	*	11/2013	Javorsky	D22/108
2010/0170488	A1	*	7/2010	Rasor et al.	124/25
2012/0124881	A1	*	5/2012	Castaneda	42/90
2012/0192476	A1	*	8/2012	Compton et al.	42/84

* cited by examiner

Primary Examiner — Michael A Pratt

(74) *Attorney, Agent, or Firm* — The Webb Law Firm

(57) **CLAIM**

The ornamental design for a receiver for a rifle, as shown and described.

DESCRIPTION

FIG. 1 is a right perspective view of an embodiment of a receiver for a rifle shown in the environment of a bolt action rifle;
 FIG. 2 is a left side elevation view thereof;
 FIG. 3 is a right side elevation view thereof;
 FIG. 4 is a top plan view thereof;
 FIG. 5 is a back elevation view thereof;
 FIG. 6 is a front elevation view thereof;
 FIG. 7 is a cross sectional view along line 7 of FIG. 4;
 FIG. 8 is a left perspective view of an embodiment of the receiver for a rifle shown in the environment of a bolt action rifle;
 FIG. 9 is a right perspective view thereof; and,
 FIG. 10 is a bottom plan view thereof.

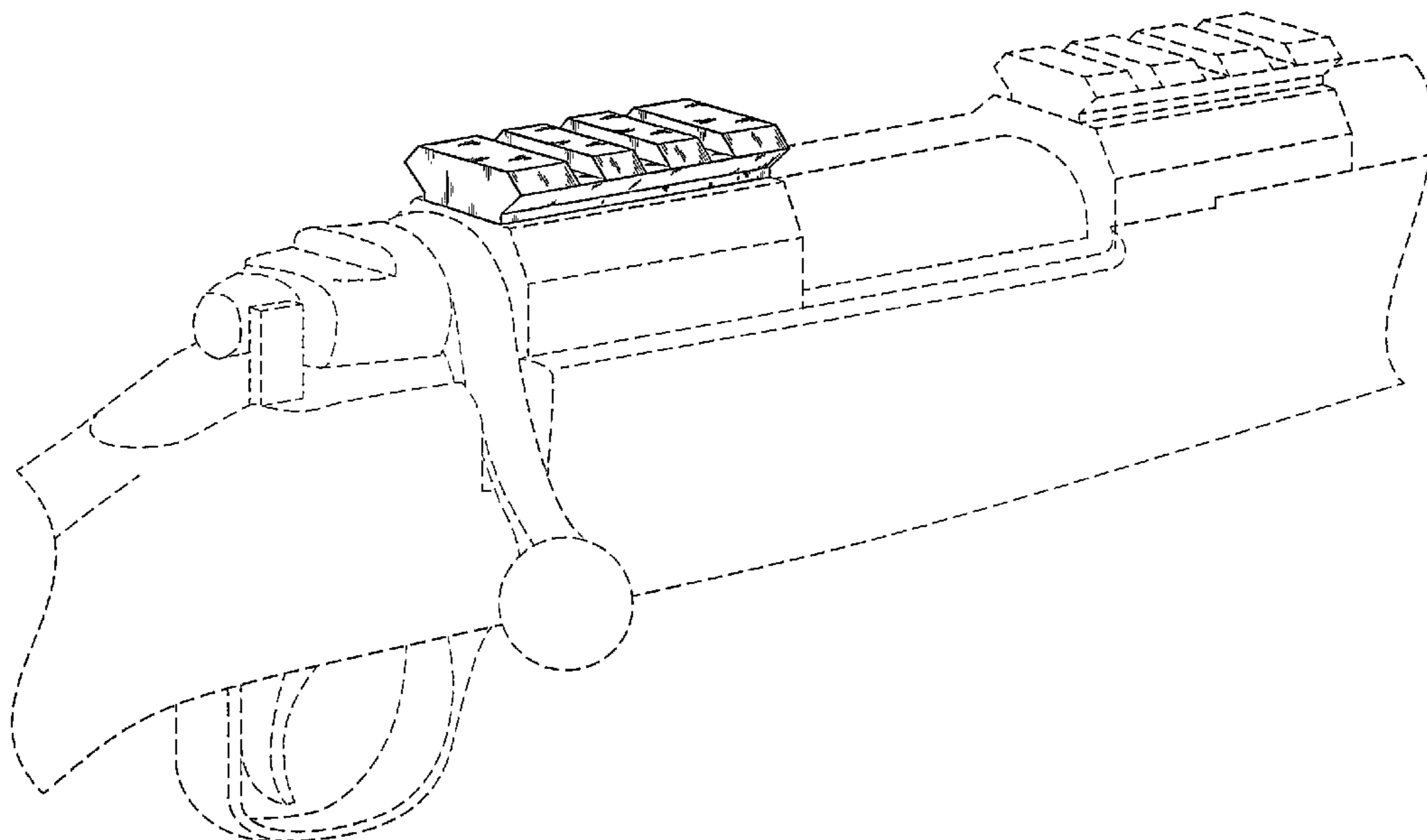
Any broken line illustration of environmental structure in the drawings is not part of the design sought to be patented.

1 Claim, 6 Drawing Sheets

(56) **References Cited**

U.S. PATENT DOCUMENTS

7,647,720	B1	*	1/2010	Vendetti	42/126
D615,141	S	*	5/2010	Leighton et al.	D22/108
D635,216	S	*	3/2011	Moody et al.	D22/108
7,913,439	B2	*	3/2011	Whaley	42/90
D636,044	S	*	4/2011	Larson et al.	D22/108
D636,047	S	*	4/2011	Larson et al.	D22/108
7,954,270	B2	*	6/2011	Bentley	42/71.01
D644,294	S	*	8/2011	Clary	D22/108
8,104,218	B2	*	1/2012	McCann	42/144
8,176,669	B1	*	5/2012	Griffin	42/90
8,186,093	B1	*	5/2012	Chung	42/113
8,296,991	B1	*	10/2012	Chung	42/111



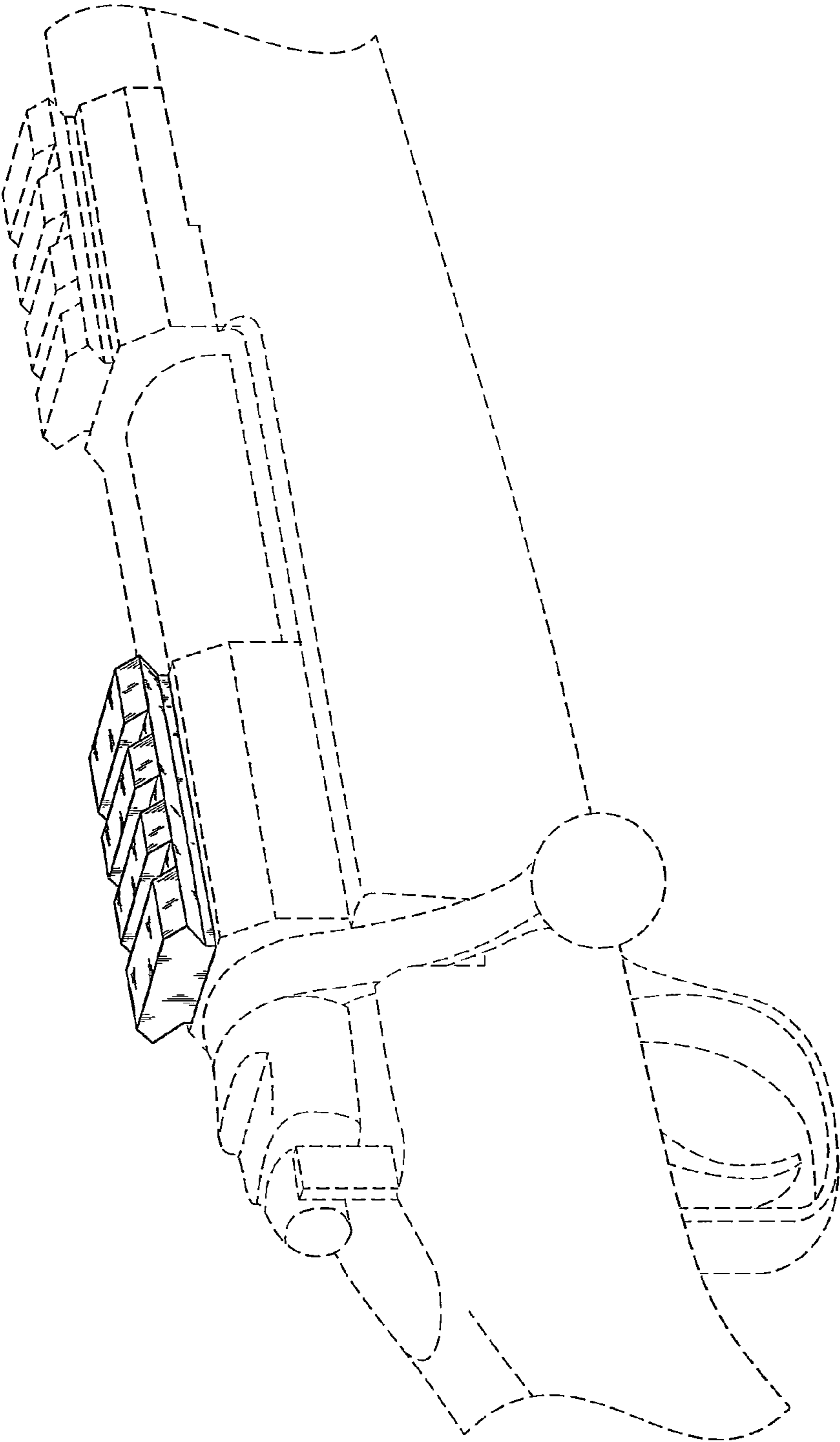


FIG. 1

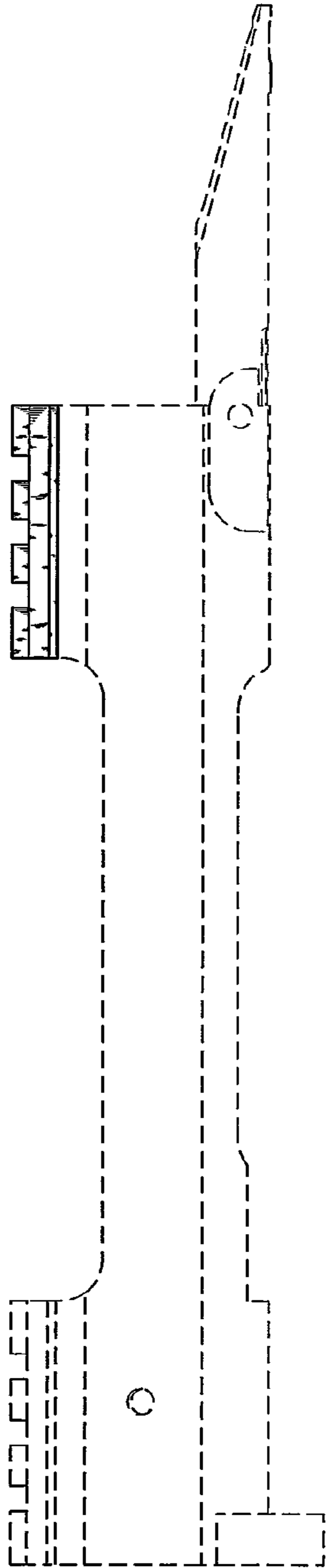


FIG. 2

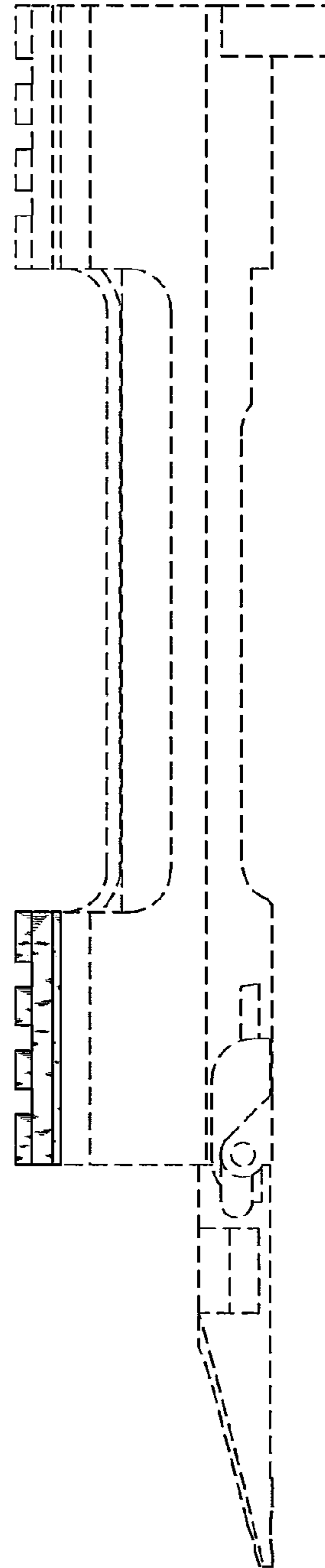


FIG. 3

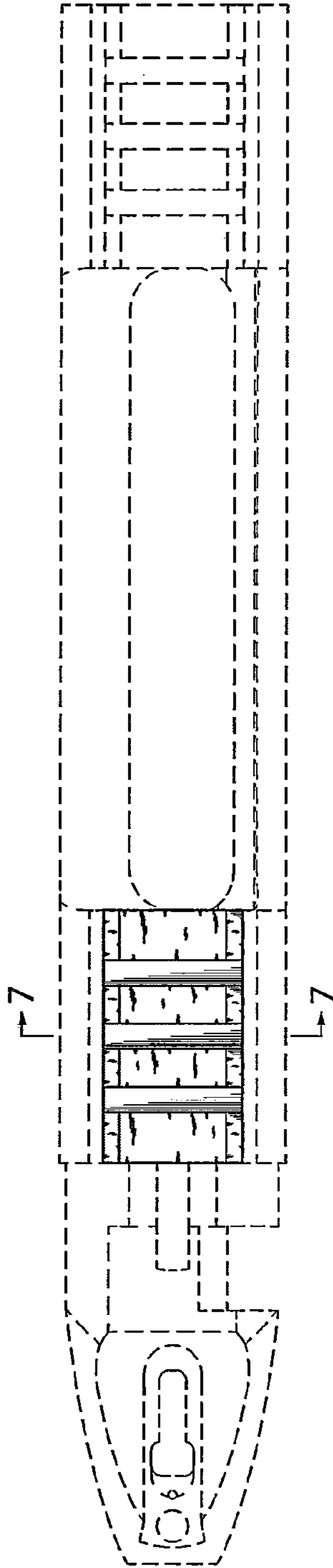


FIG. 4

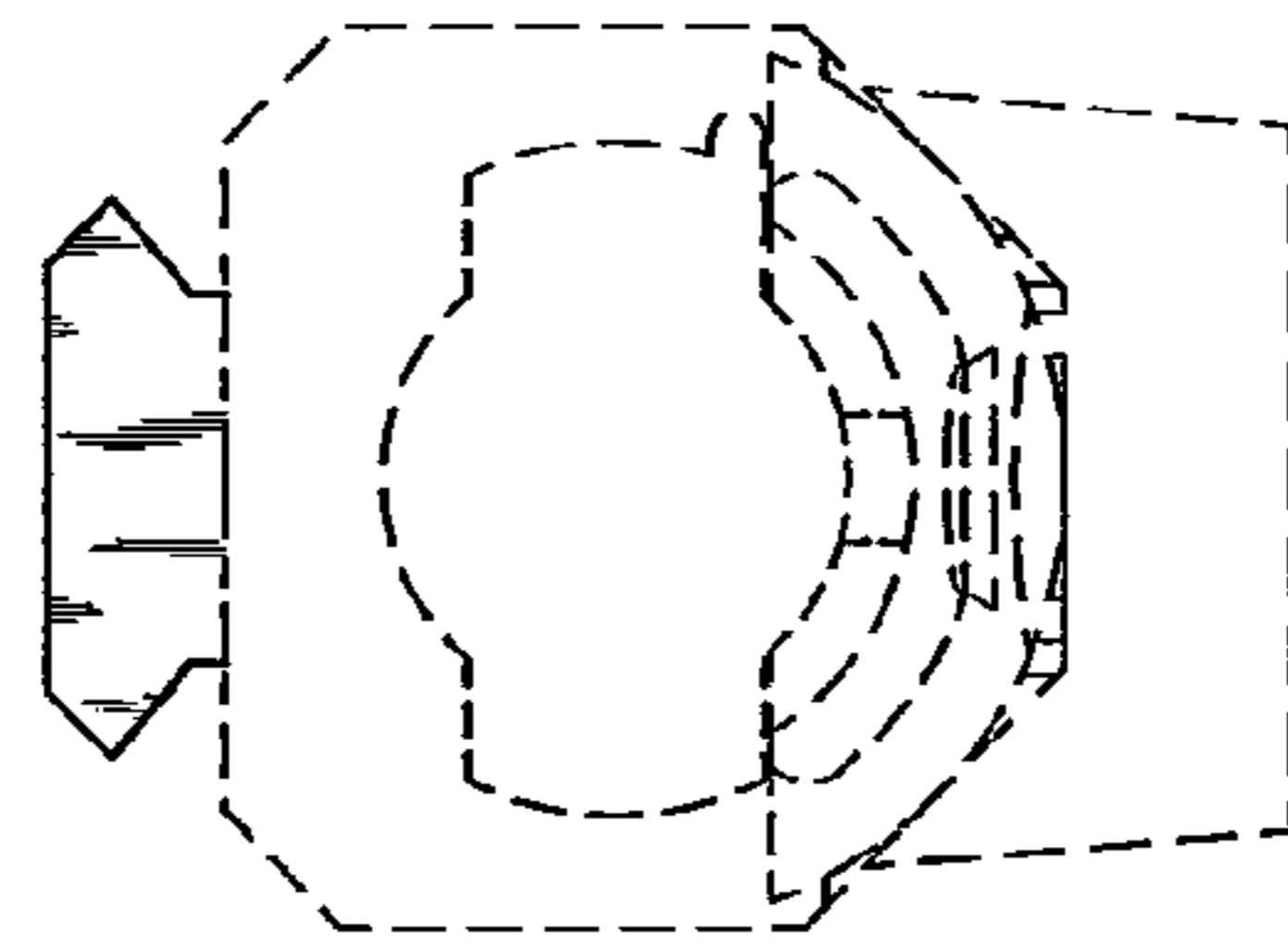


FIG. 5

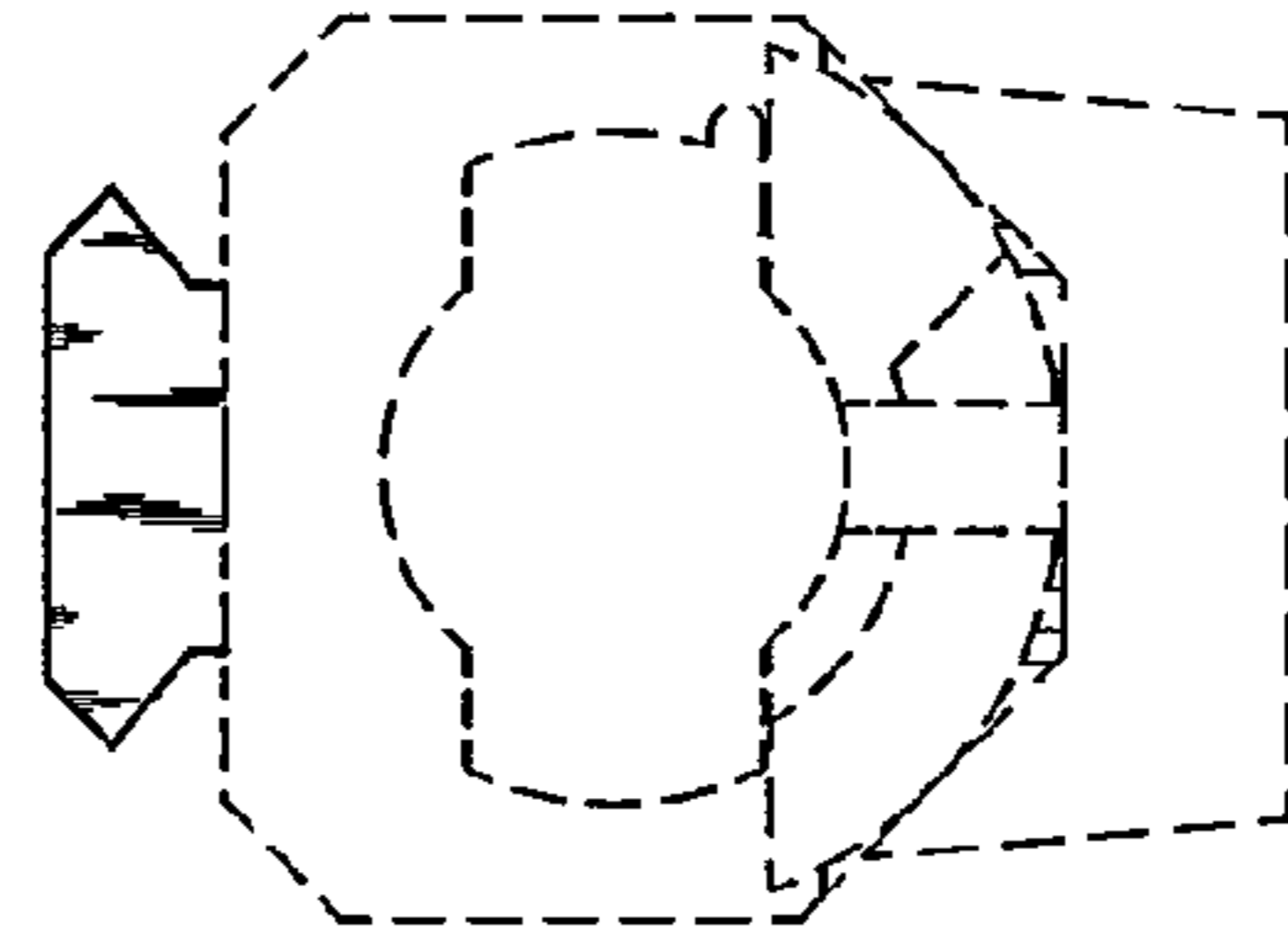


FIG. 6

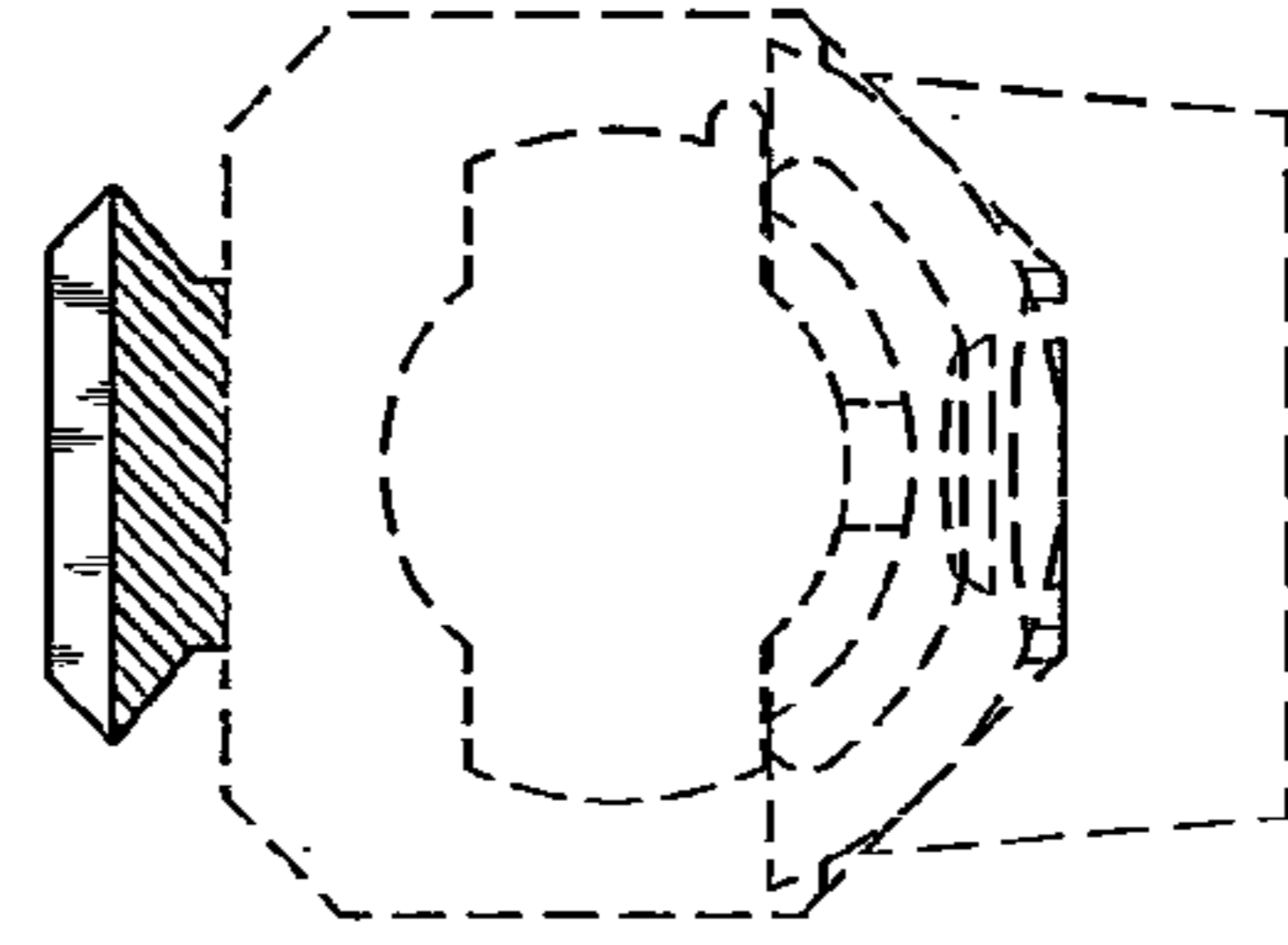


FIG. 7

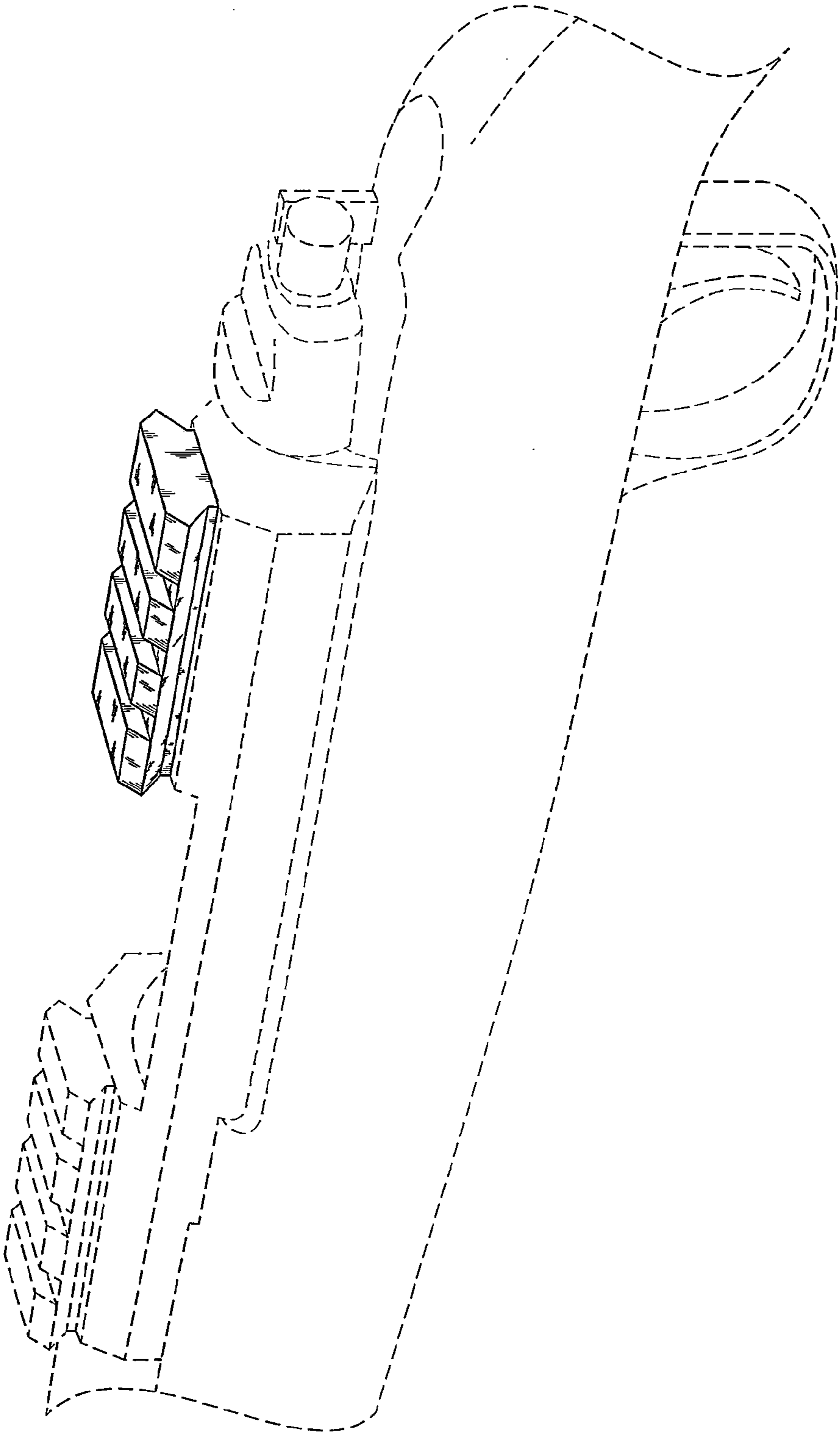


FIG. 8

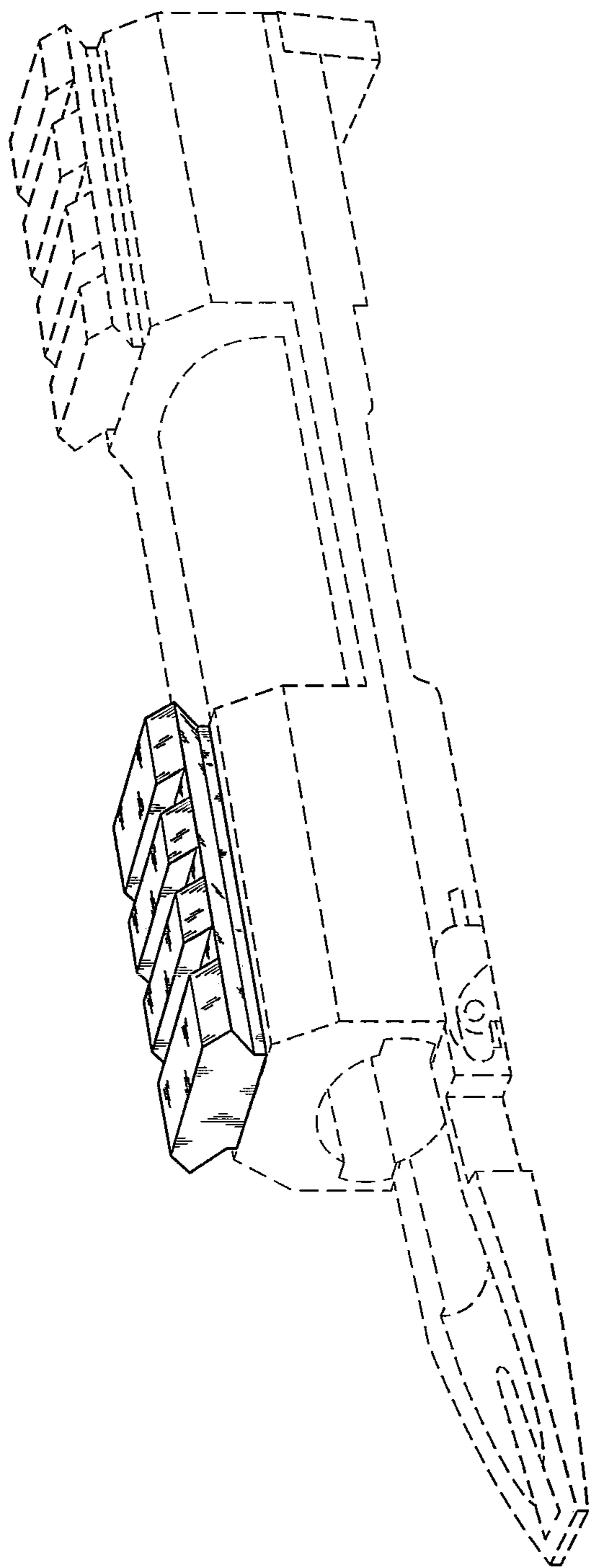


FIG. 9

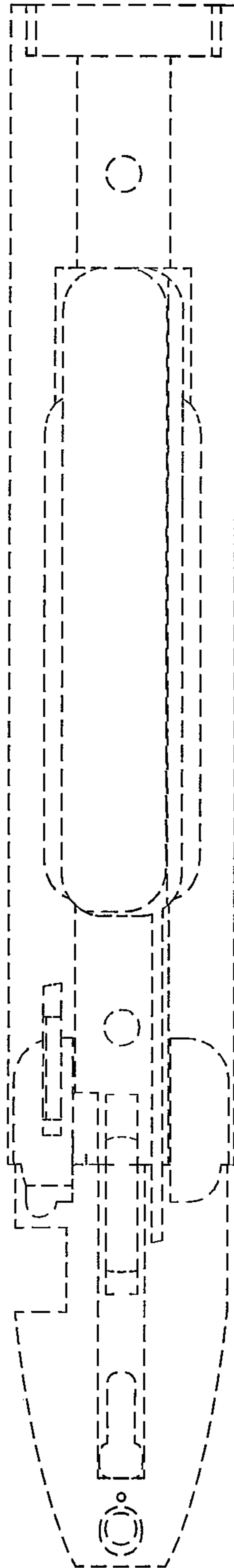


FIG. 10