

US00D711991S

(12) **United States Design Patent**
LaClede

(10) **Patent No.:** **US D711,991 S**

(45) **Date of Patent:** **** Aug. 26, 2014**

(54) **GOLF PUTTER GRIP**

(71) Applicant: **Kevin LaClede**, Denver, CO (US)

(72) Inventor: **Kevin LaClede**, Denver, CO (US)

(**) Term: **14 Years**

(21) Appl. No.: **29/448,325**

(22) Filed: **Mar. 12, 2013**

(51) **LOC (10) Cl.** **21-02**

(52) **U.S. Cl.**
USPC **D21/756**

(58) **Field of Classification Search**
USPC D21/756-758; 473/300-303, 201-206
See application file for complete search history.

(56) **References Cited**

U.S. PATENT DOCUMENTS

1,677,099 A * 7/1928 Harness 473/201
D295,207 S * 4/1988 Mahaffey D21/756
D369,195 S * 4/1996 Jaeckel D21/757

5,513,845 A * 5/1996 Sonagere 473/206
5,653,644 A * 8/1997 Jaeckel 473/303
D399,901 S * 10/1998 Beyer D21/756
D516,653 S 3/2006 Gazeley
D654,973 S * 2/2012 Marshall D21/756

* cited by examiner

Primary Examiner — Mitchell Siegel

(74) *Attorney, Agent, or Firm* — DNL ZITO; Joseph J. Zito; Benjamin C. Deming

(57) **CLAIM**

I claim the ornamental design for a golf putter grip, as shown.

DESCRIPTION

FIG. 1 illustrates a side view of the golf putter grip.
FIG. 2 illustrates a front view of the golf putter grip.
FIG. 3 illustrates a top view of the golf putter grip.
FIG. 4 illustrates a front view of the golf putter grip.
FIG. 5 illustrates a bottom isometric view of the golf putter grip; and,
FIG. 6 illustrates a top isometric view of the golf putter grip.

1 Claim, 3 Drawing Sheets

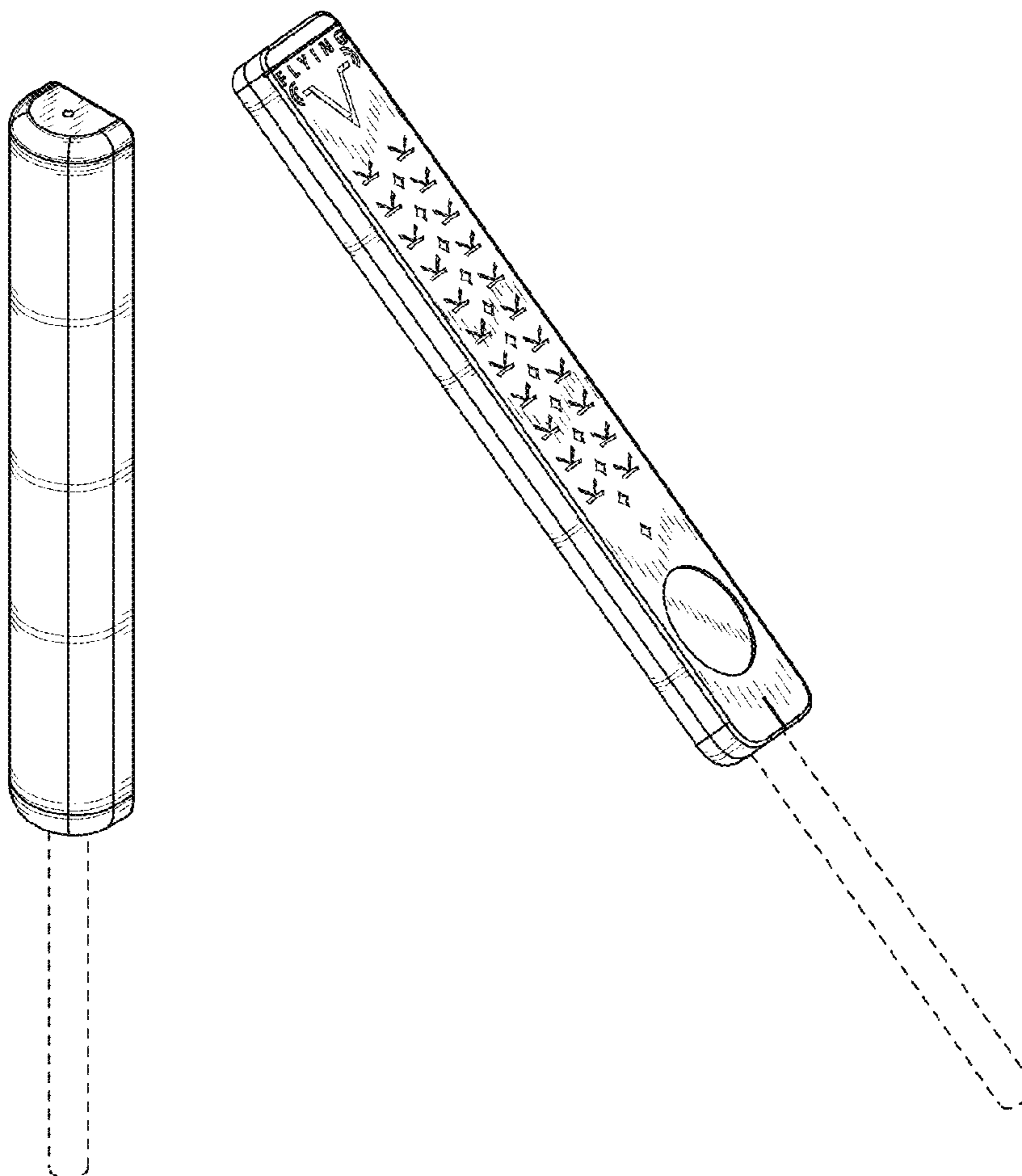




FIG. 1

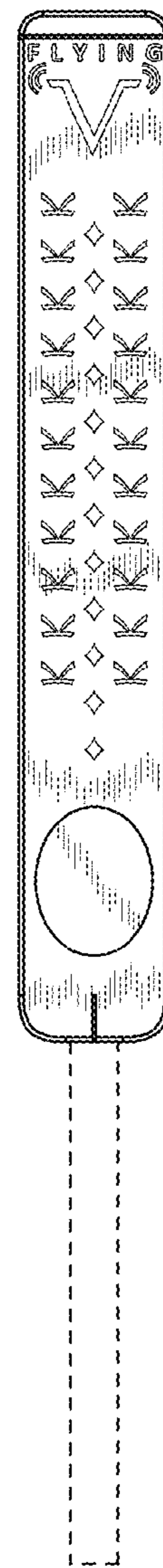


FIG. 2

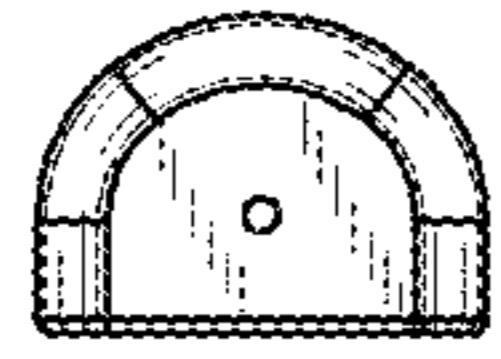


FIG. 3

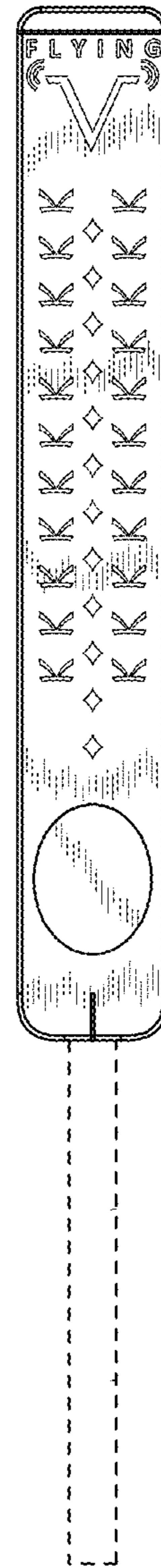


FIG. 4

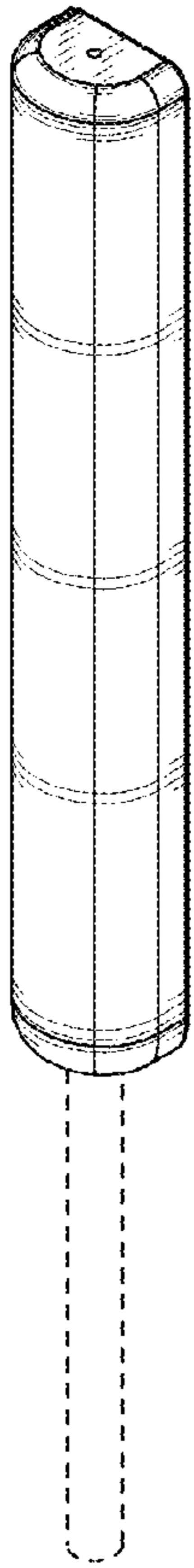


FIG. 5

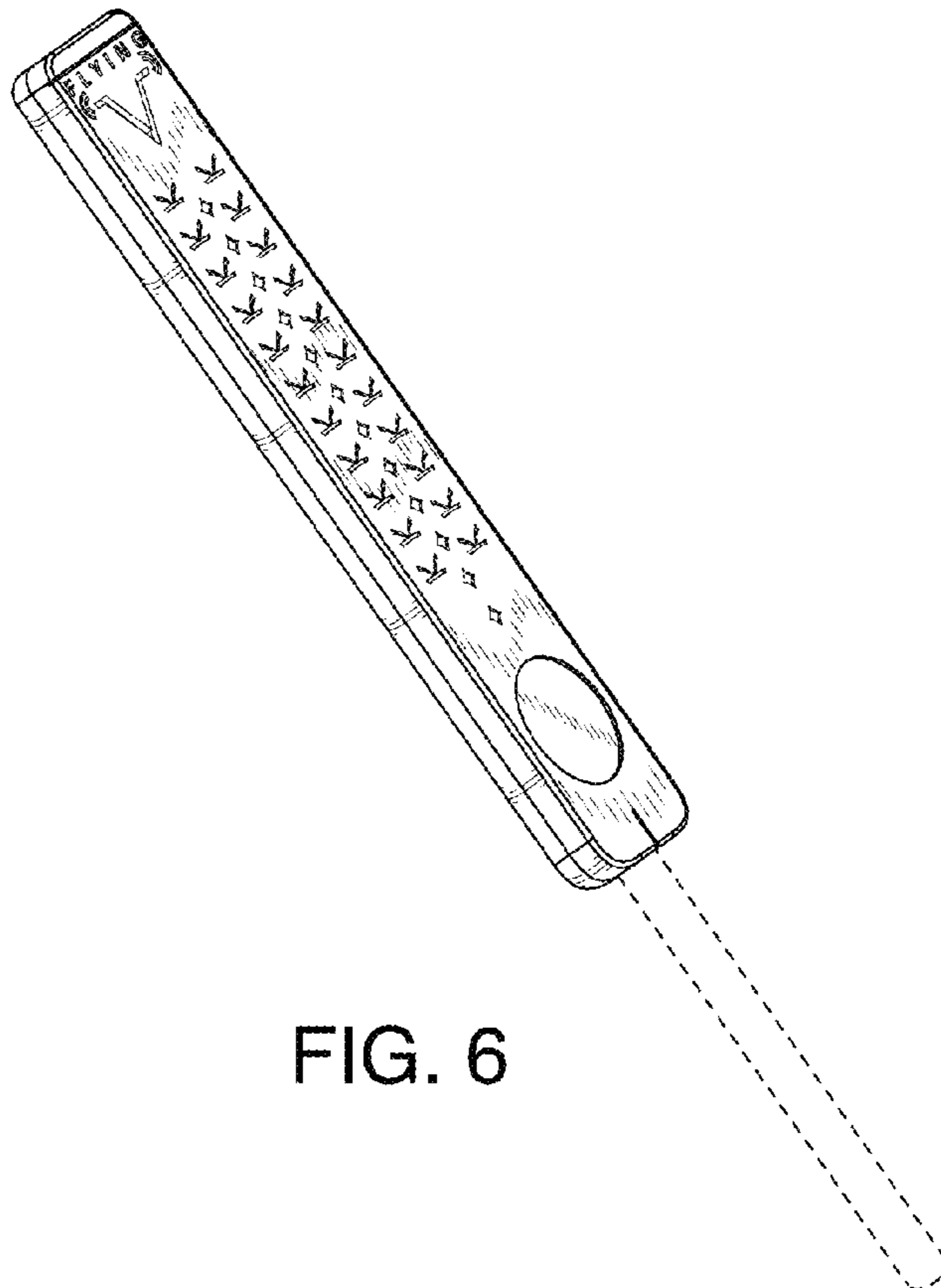


FIG. 6